

US00D860336S

(12) **United States Design Patent**  
**Gong**

(10) **Patent No.:** **US D860,336 S**

(45) **Date of Patent:** **\*\* Sep. 17, 2019**

(54) **TOY GUN MAGAZINE**

(71) Applicant: **Qiao-Bin Gong**, Guangdong Province  
(CN)

(72) Inventor: **Qiao-Bin Gong**, Guangdong Province  
(CN)

(73) Assignee: **Shenzhen Chuangliansizhong**  
**Technology Co., Ltd.**, Guangdong  
(CN)

(\*\*) Term: **15 Years**

(21) Appl. No.: **29/654,428**

(22) Filed: **Jun. 25, 2018**

(51) **LOC (12) Cl.** ..... **21-01**

(52) **U.S. Cl.**  
USPC ..... **D21/573**

(58) **Field of Classification Search**  
USPC ..... D21/567, 573-575; D22/108  
CPC ..... F41A 9/00; F41A 9/17; F41A 9/23; F41A  
9/34; F41A 9/61; F41A 9/65; F41A 9/68;  
F41A 9/69; F41A 9/70; F41A 9/71; F41A  
9/84; F41A 11/02  
See application file for complete search history.

(56) **References Cited**

**U.S. PATENT DOCUMENTS**

D614,721 S \* 4/2010 Fitzpatrick ..... D22/108  
D706,880 S \* 6/2014 Chu ..... D21/573

D716,903 S \* 11/2014 Larmer ..... D22/108  
D736,337 S \* 8/2015 Kielsmeier ..... D22/108  
9,267,749 B1 \* 2/2016 Dukart ..... F41A 9/71  
D755,310 S \* 5/2016 Pedersen ..... D21/573  
D842,391 S \* 3/2019 Iwasawa ..... D21/575  
D842,392 S \* 3/2019 Iwasawa ..... D21/575  
2012/0317857 A1 \* 12/2012 Fitzpatrick ..... F41A 9/62  
42/50

\* cited by examiner

*Primary Examiner* — Cynthia M. Chin

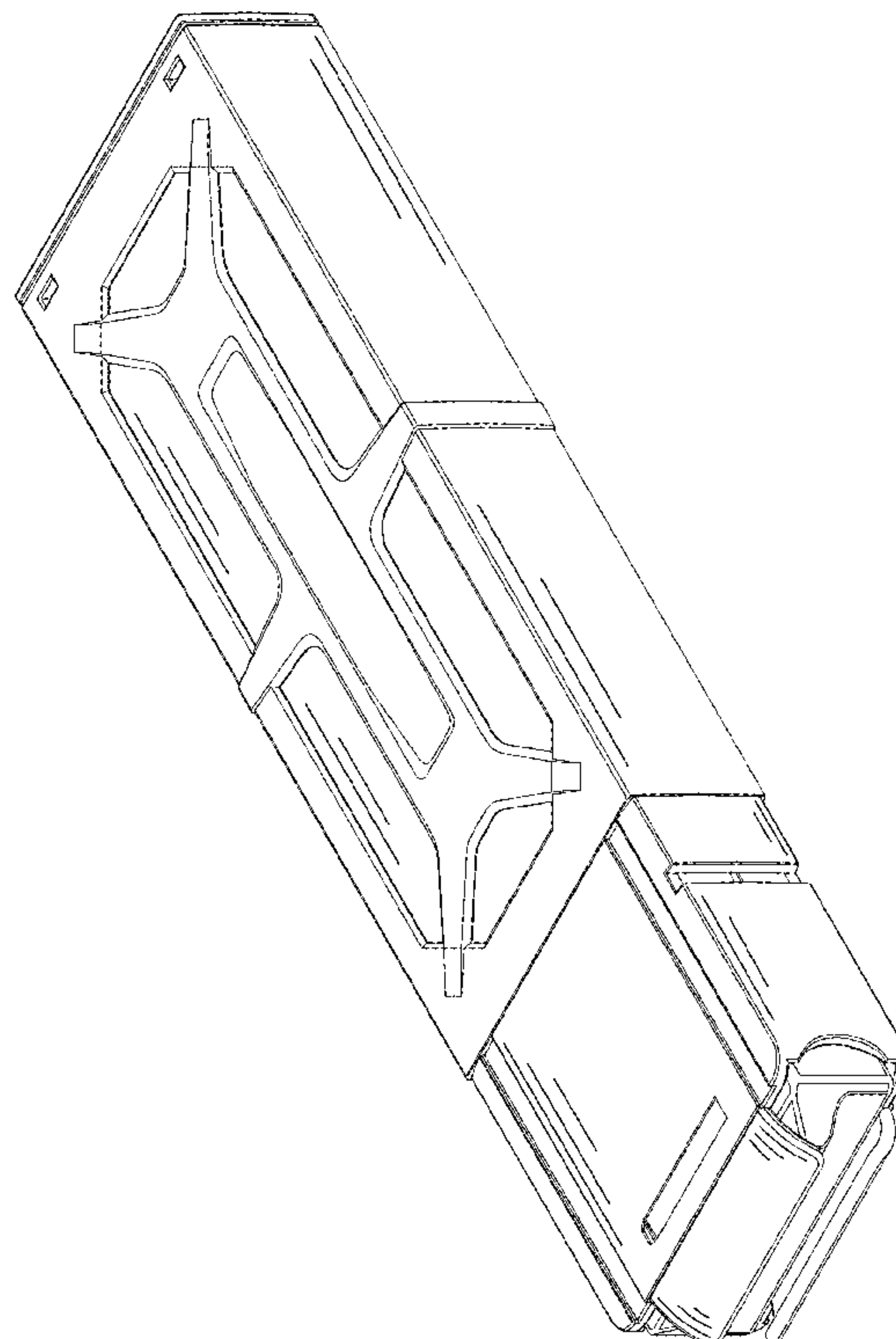
(57) **CLAIM**

The ornamental design for a toy gun magazine, as shown and described.

**DESCRIPTION**

FIG. 1 is a perspective view of a toy gun magazine showing my new design;  
FIG. 2 is a front elevational view thereof;  
FIG. 3 is a top plan view thereof;  
FIG. 4 is a left side elevational view thereof;  
FIG. 5 is a rear elevational view thereof;  
FIG. 6 is a right side view thereof; and,  
FIG. 7 is a bottom plan view thereof.

**1 Claim, 7 Drawing Sheets**



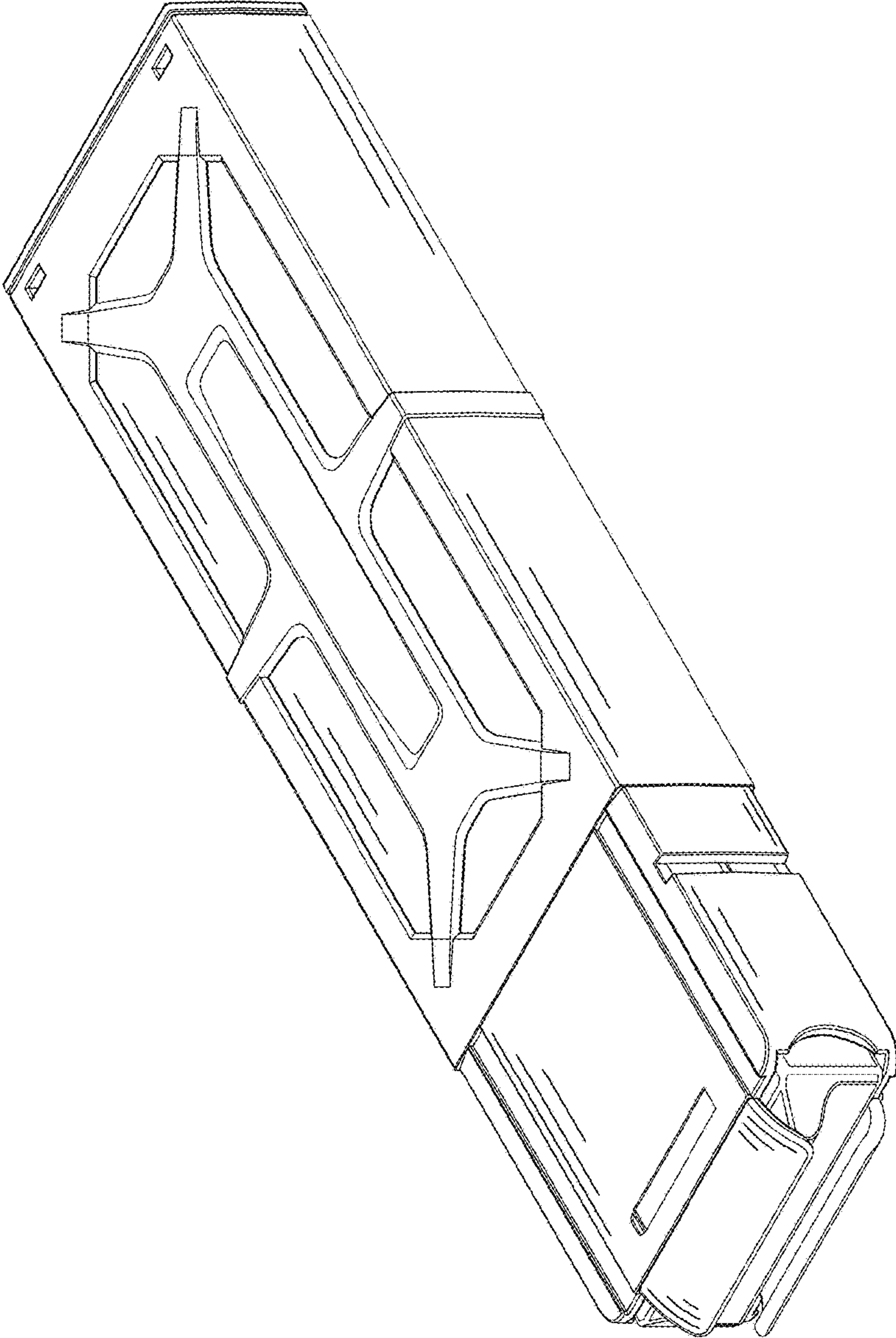


FIG. 1

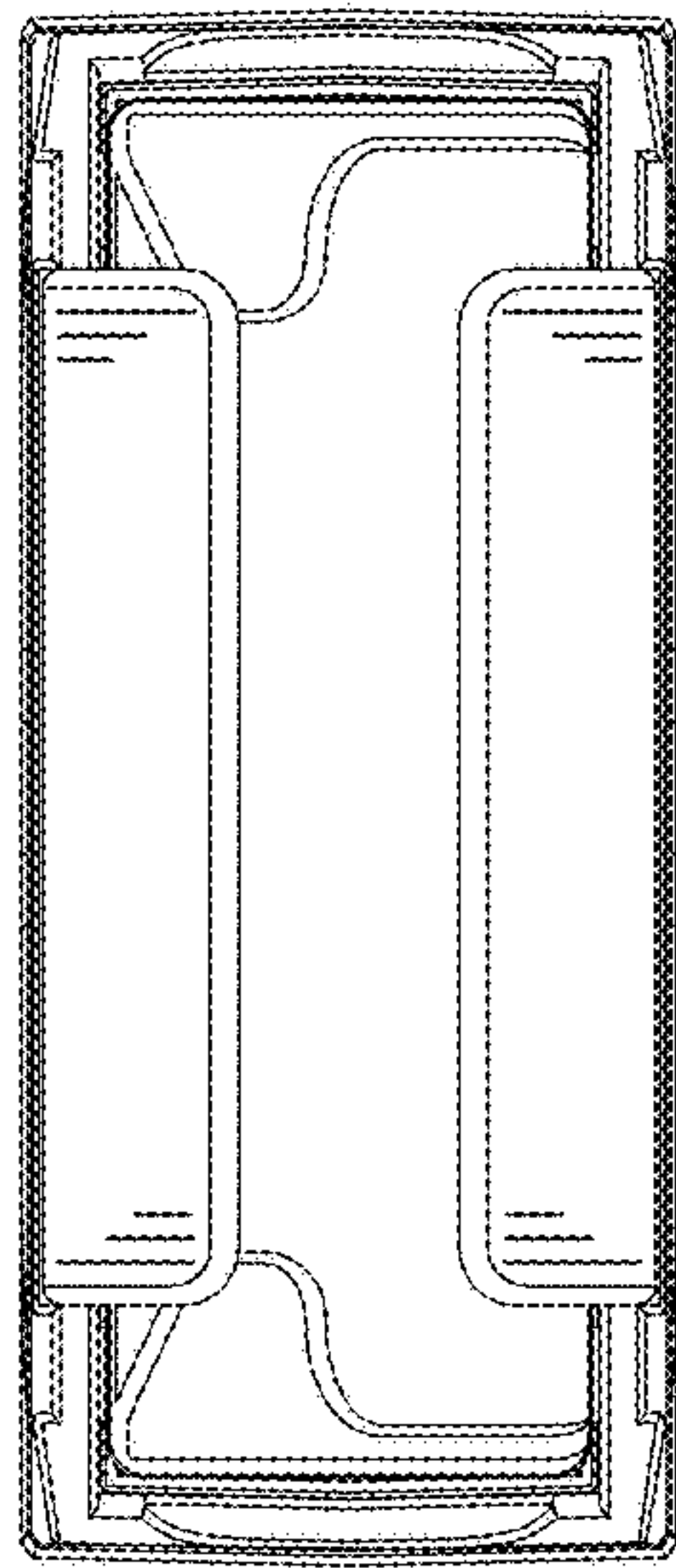


FIG. 2

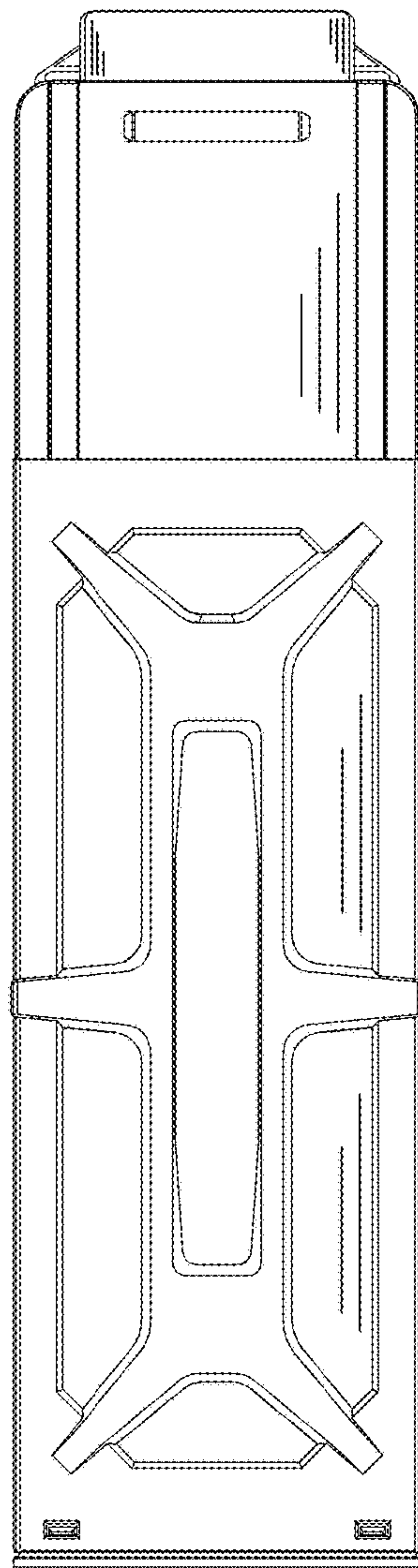


FIG. 3

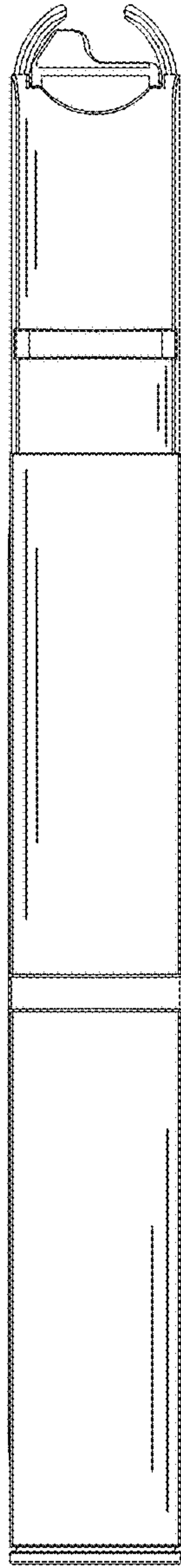


FIG. 4

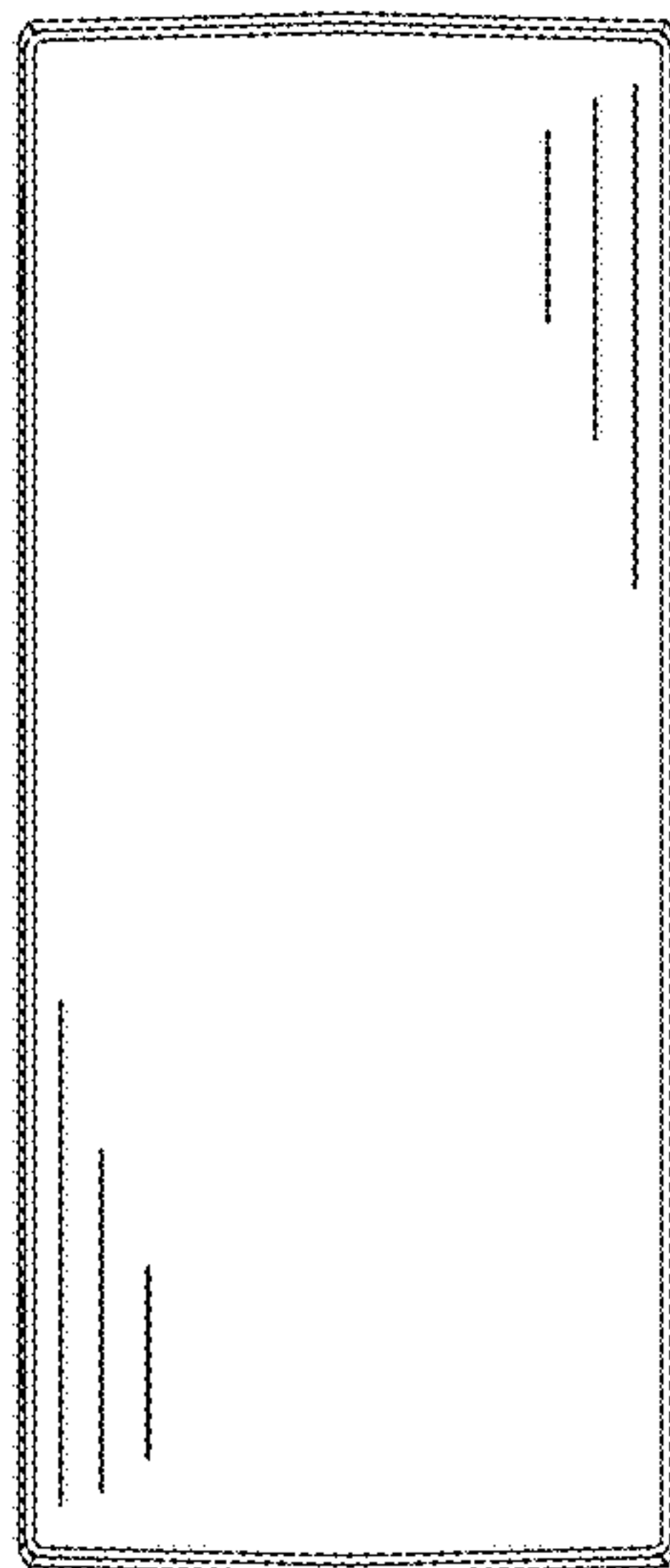


FIG. 5

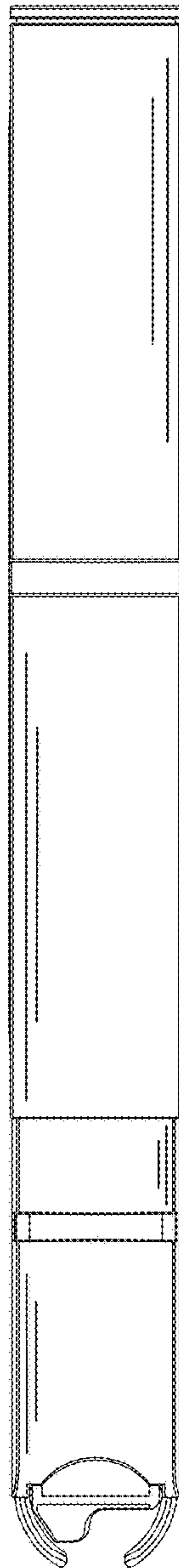


FIG. 6



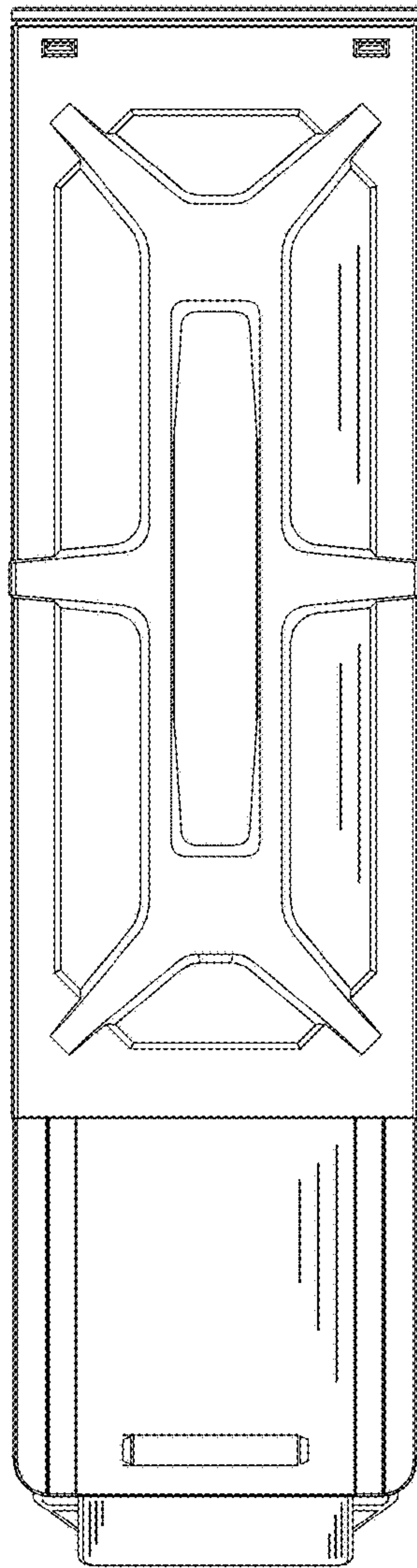


FIG. 7