

US00D860334S

(12) **United States Design Patent** (10) **Patent No.:** **US D860,334 S**  
**Lachance et al.** (45) **Date of Patent:** **\*\* Sep. 17, 2019**

(54) **CONSTRUCTION SET TOOL**  
(71) Applicant: **Mattel-MEGA Holdings (US), LLC**,  
El Segundo, CA (US)

4,412,464 A 11/1983 Cook  
4,522,088 A 6/1985 Berglund  
D295,646 S 5/1988 Knudsen  
D303,687 S 9/1989 Poulsen  
(Continued)

(72) Inventors: **Amélie Lachance**, Montreal (CA);  
**Louis-Philippe Beaulieu**, Montreal  
(CA); **Steve Ross**, St-Jacques (CA)

**FOREIGN PATENT DOCUMENTS**

(73) Assignee: **Mattel-MEGA Holdings (US), LLC**,  
El Segundo, CA (US)

DE 10304092 A1 8/2004  
EP 0464065 B1 2/1994  
WO 9011112 A1 10/1990

(\*\*) Term: **15 Years**

**OTHER PUBLICATIONS**

(21) Appl. No.: **29/618,218**

“Lego Panel 2x5x6,” Lego Part 4444, first produced 1984 according  
to: <URL:http://www.peeron.com/inv/parts/4444>, 2 pages.

(22) Filed: **Sep. 20, 2017**

(Continued)

(51) **LOC (12) Cl.** ..... **21-01**

*Primary Examiner* — Cynthia M. Chin

(52) **U.S. Cl.**  
USPC ..... **D21/484**; D21/486

(74) *Attorney, Agent, or Firm* — Plumsea Law Group,  
LLC

(58) **Field of Classification Search**  
USPC ..... D21/484, 486, 489, 491, 492, 493, 494,  
D21/495, 500, 501, 502, 503, 504  
CPC ..... A63H 33/04; A63H 33/044; A63H 33/06;  
A63H 33/062; A63H 33/10; A63H  
33/101; A63H 33/108  
See application file for complete search history.

(57) **CLAIM**

The ornamental design for a construction set tool, as shown  
and described.

(56) **References Cited**

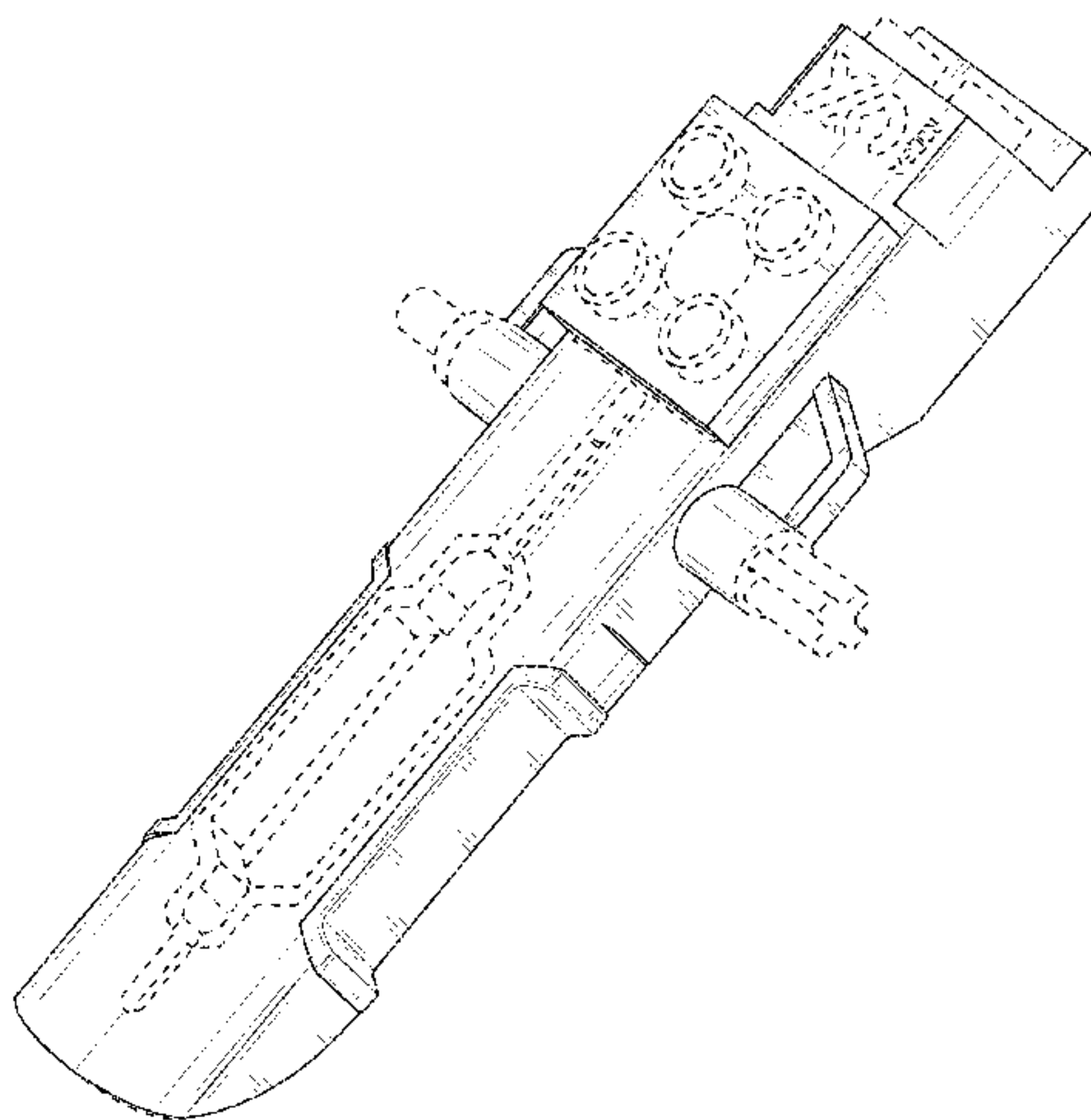
**DESCRIPTION**

**U.S. PATENT DOCUMENTS**

D31,975 S 12/1899 Hunsinger, Jr.  
743,823 A 11/1903 Bryar  
1,114,837 A 10/1914 Wilson  
D164,467 S 9/1951 Arnold  
3,656,375 A 4/1972 Reed et al.  
3,713,246 A 1/1973 Kilroy, Jr.  
3,736,696 A 6/1973 Laird et al.  
D238,745 S 2/1976 Bedard et al.  
4,009,743 A 3/1977 Ackerman  
D263,673 S 4/1982 Sheehan  
D269,495 S 6/1983 Finn  
4,390,112 A 6/1983 Tysver

FIG. 1 is a top front isometric perspective view of a  
construction set tool showing the new design;  
FIG. 2 is a front elevational view thereof;  
FIG. 3 is a rear elevational view thereof;  
FIG. 4 is a side elevational view thereof;  
FIG. 5 is an opposite side elevational view thereof;  
FIG. 6 is a top plan view thereof; and,  
FIG. 7 is a bottom plan view thereof.  
The broken lines and unshaded areas are included to identify  
parts of the article’s appearance that form no part of the  
claimed design. The various directional adjectives used in  
this specification, such as “front,” “rear,” “side,” “top,” and  
“bottom,” refer to the construction set tool as illustrated.

**1 Claim, 7 Drawing Sheets**



(56)

References Cited

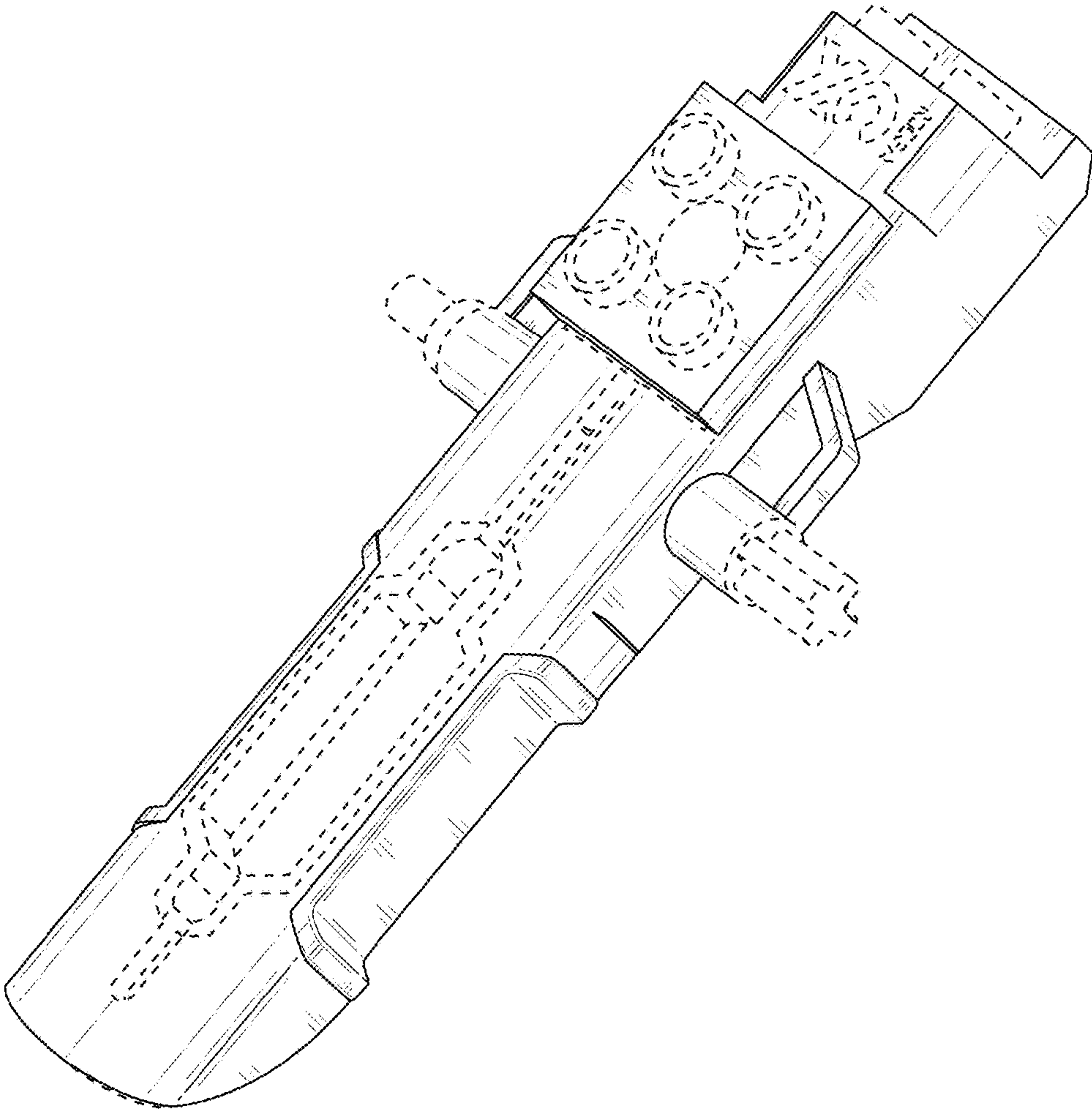
U.S. PATENT DOCUMENTS

D304,042 S \* 10/1989 Poulsen ..... D21/453  
 4,949,600 A 8/1990 Tricinella  
 D317,482 S 6/1991 Michaelsen et al.  
 5,033,501 A 7/1991 Stehling  
 5,349,734 A 9/1994 Poulsen et al.  
 5,495,651 A 3/1996 Tsuha  
 5,768,956 A 6/1998 Coonrad  
 D409,676 S \* 5/1999 Toft ..... D21/486  
 D411,262 S \* 6/1999 Toft ..... D21/486  
 D423,061 S \* 4/2000 Raundahl ..... D21/486  
 6,200,187 B1 \* 3/2001 Olsen ..... A63H 33/04  
 446/120  
 6,447,358 B1 \* 9/2002 Mikkelsen ..... A63H 33/042  
 16/260  
 6,508,689 B1 \* 1/2003 Mikkelsen ..... A63H 33/042  
 446/108  
 D552,190 S \* 10/2007 Glickman ..... D21/505  
 7,481,692 B2 1/2009 Bruder  
 8,024,994 B2 9/2011 St. John et al.  
 D689,954 S \* 9/2013 Rya ..... D21/486  
 8,708,312 B2 4/2014 Stawarski  
 8,713,773 B2 5/2014 Foxx et al.  
 D783,731 S \* 4/2017 Rosan ..... D21/486  
 D832,932 S \* 11/2018 Kogure ..... D21/486  
 D833,260 S \* 11/2018 Dumlao ..... D8/354  
 2017/0007940 A1 1/2017 Almog et al.  
 2017/0282090 A1 10/2017 Chen et al.

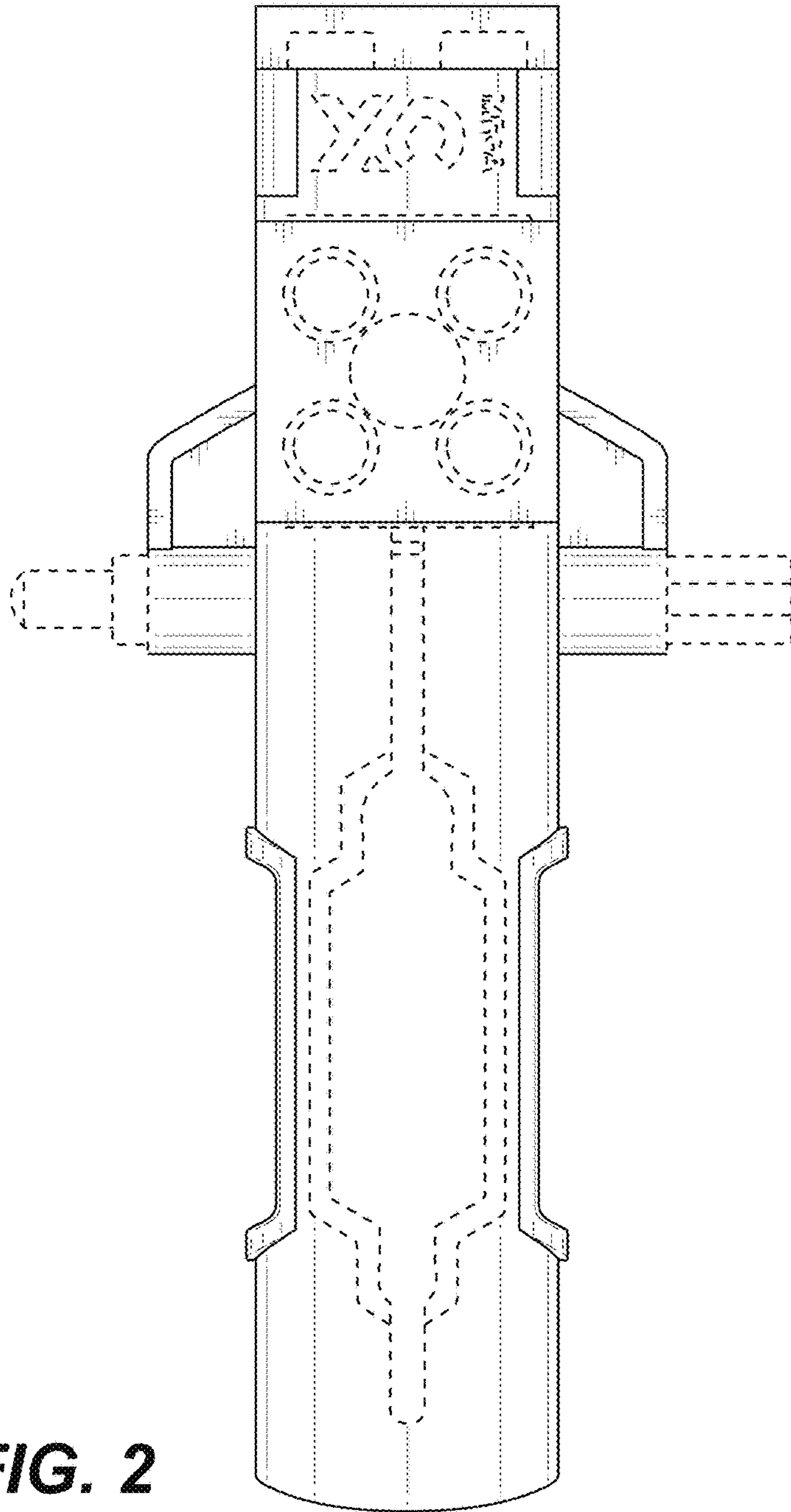
OTHER PUBLICATIONS

“Lego Panel 3x2x5 & 2/3,” Lego Part 2448, first produced 1987 according to: <URL:http://www.peeron.com/inv/parts/2448>, 2 pages.  
 “Lego Panel 3x2x6,” Lego Part 2466, first produced 1988 according to: <URL:http://www.peeron.com/inv/parts/2466>, 3 pages.  
 “MEGA Bloks Probuilder M1A1 Abrams Tank,” MEGA Bloks Item #9734, MEGA Bloks Inc., 2002, 32 pages.  
 “Set #5954—Nano Dump Truck Review,” May 3, 2009, retrieved from the Internet Oct. 31, 2017: <URL:https://web.archive.org/web/20090503170049/http://www.graysage.com/cg/Toys/Megabloks/Nano/5954/Index.html>.  
 “MEGA Bloks Nano Building System 5983 Off Shore Racing,” MEGA Bloks Inc., 2004, 56 pages.  
 “MEGA Bloks Set 9734 M1A1 Abrams Tank Image,” Jul. 5, 2004, retrieved from the Internet Oct. 31, 2017: <URL:https://web.archive.org/web/20040705011917/http://www.graysage.com:80/cg/Toys/Megabloks/ProBuilder/M1A1AbramsTank/030323-024.jpg>.  
 “MEGA Bloks Set 5954 Image,” Nov. 1, 2004, Retrieved from the Internet Oct. 31, 2017: <URL:https://web.archive.org/web/20041101035811/http://www.graysage.com:80/cg/Toys/Megabloks/Nano/5954/5954-010.jpg>.  
 “Set #9734—M1A1 Abrams Tank,” Jul. 25, 2008, retrieved from the Internet Oct. 31, 2017: <URL:https://web.archive.org/web/20080725034138/http://www.graysage.com/cg/Toys/Megabloks/ProBuilder/M1A1AbramsTank/Index.html>.  
 U.S. Appl. No. 15/709,579, filed Sep. 20, 2017.  
 Office Action dated Nov. 16, 2018 in U.S. Appl. No 15/709,579.  
 Amendment filed Feb. 19, 2019 in U.S. Appl. No. 15/709,579.

\* cited by examiner

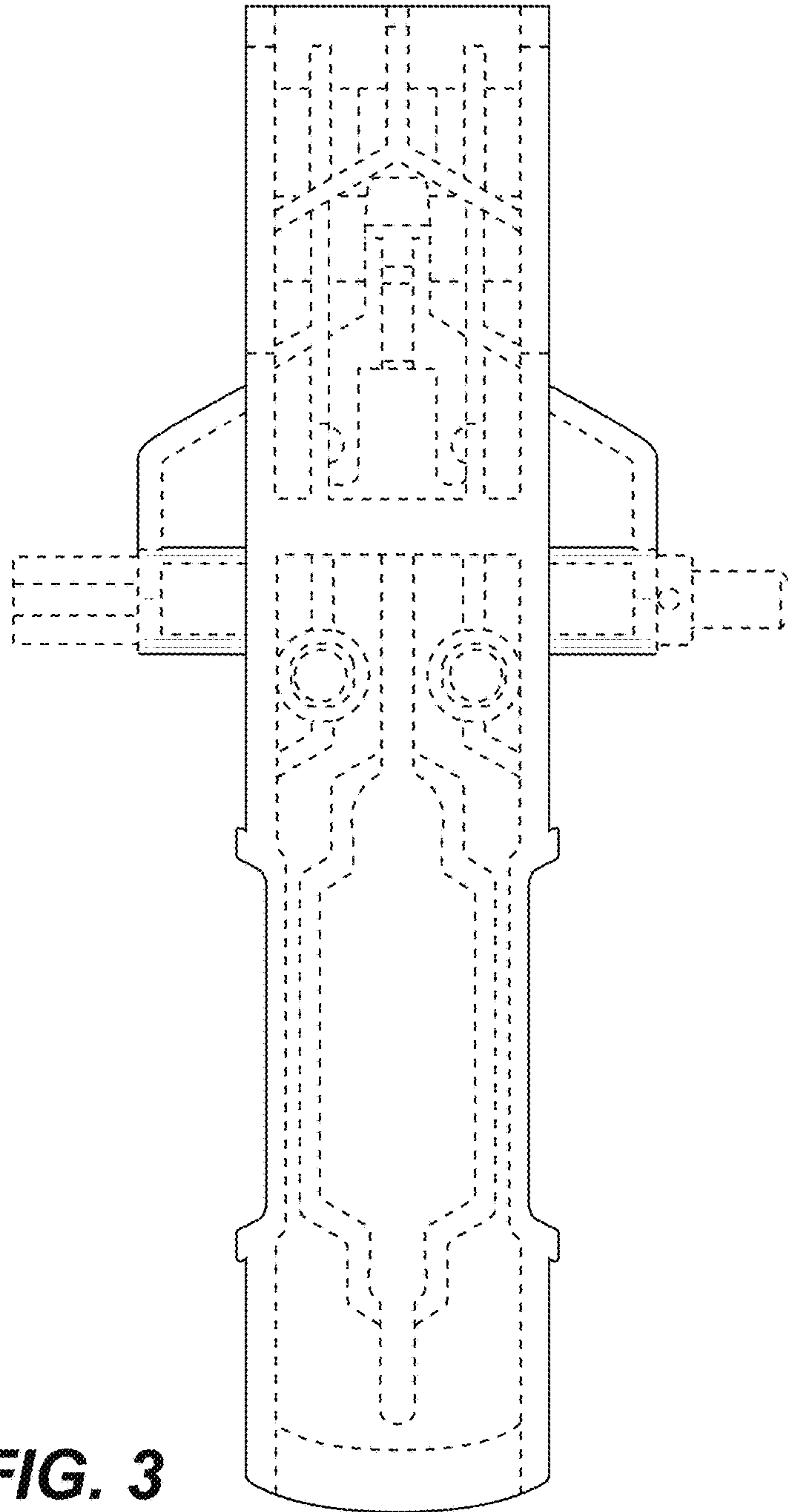


**FIG. 1**

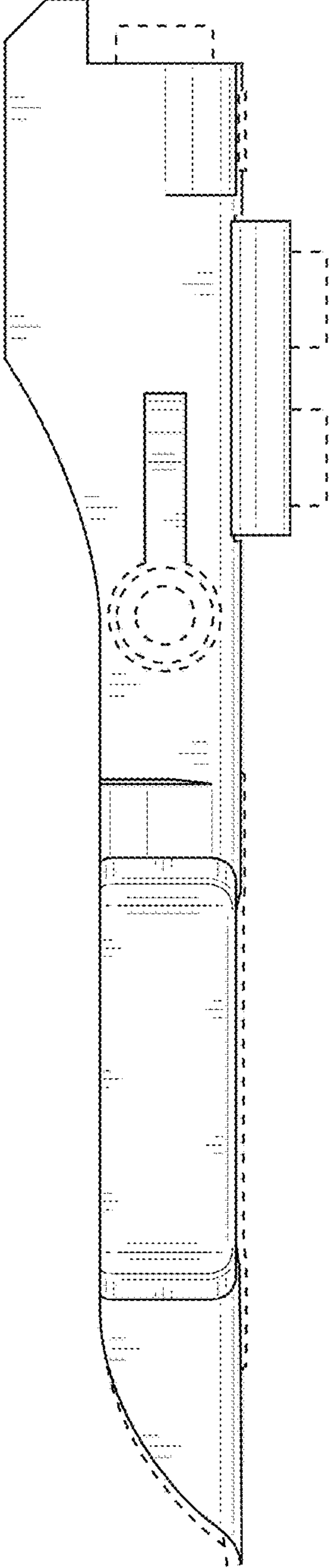


**FIG. 2**

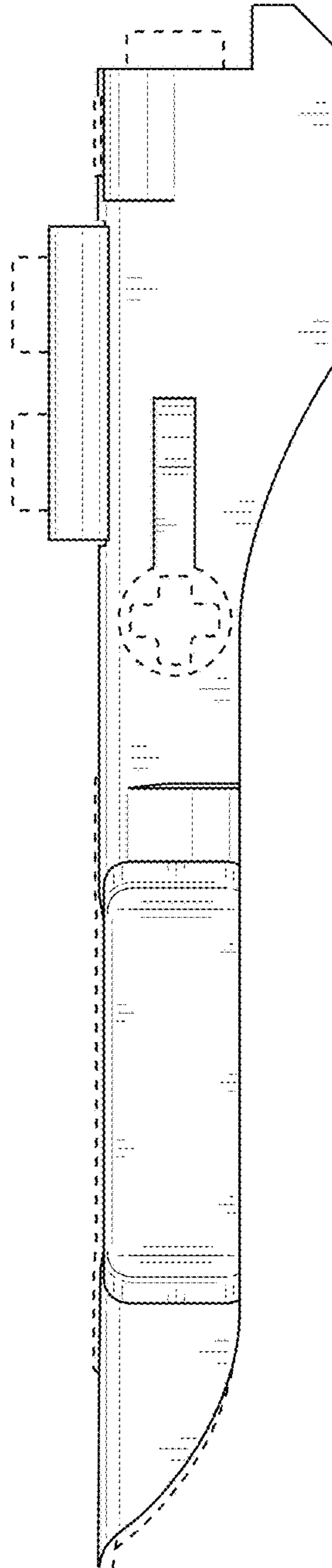




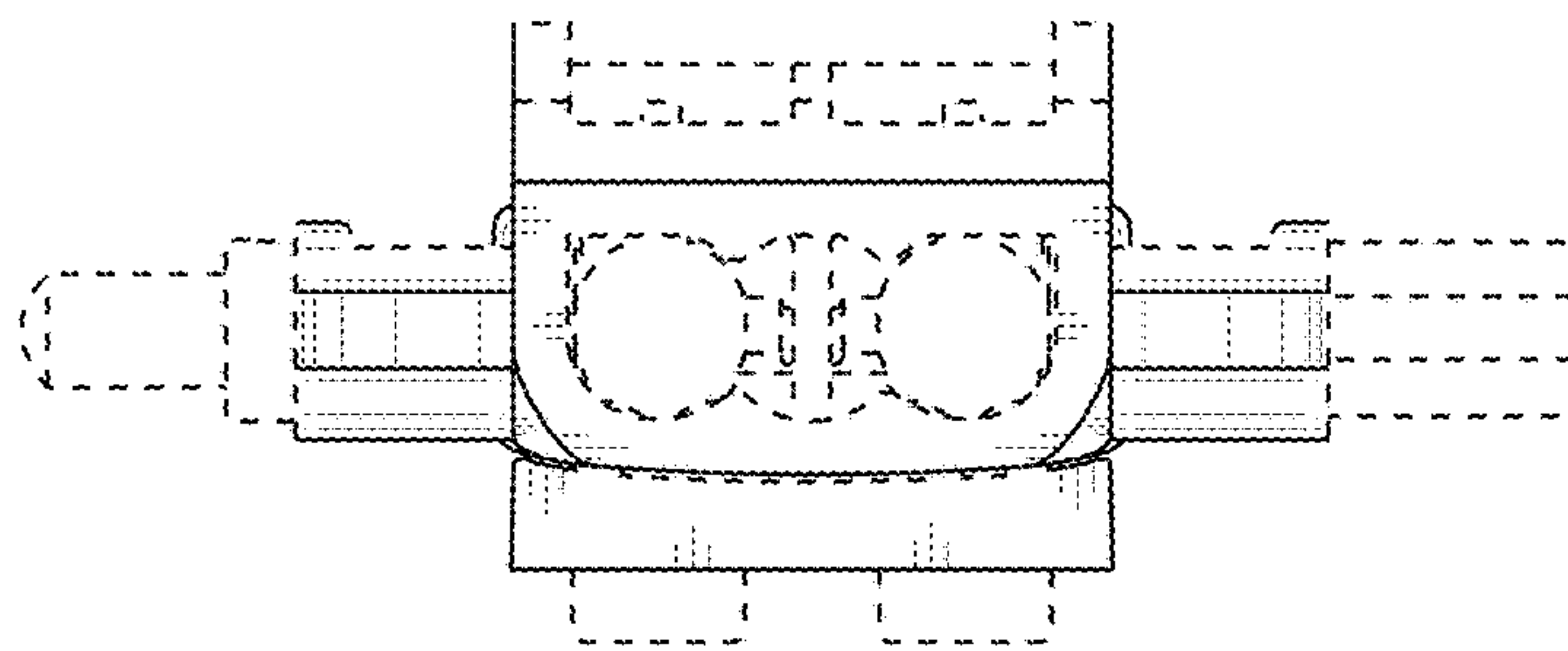
**FIG. 3**



**FIG. 4**

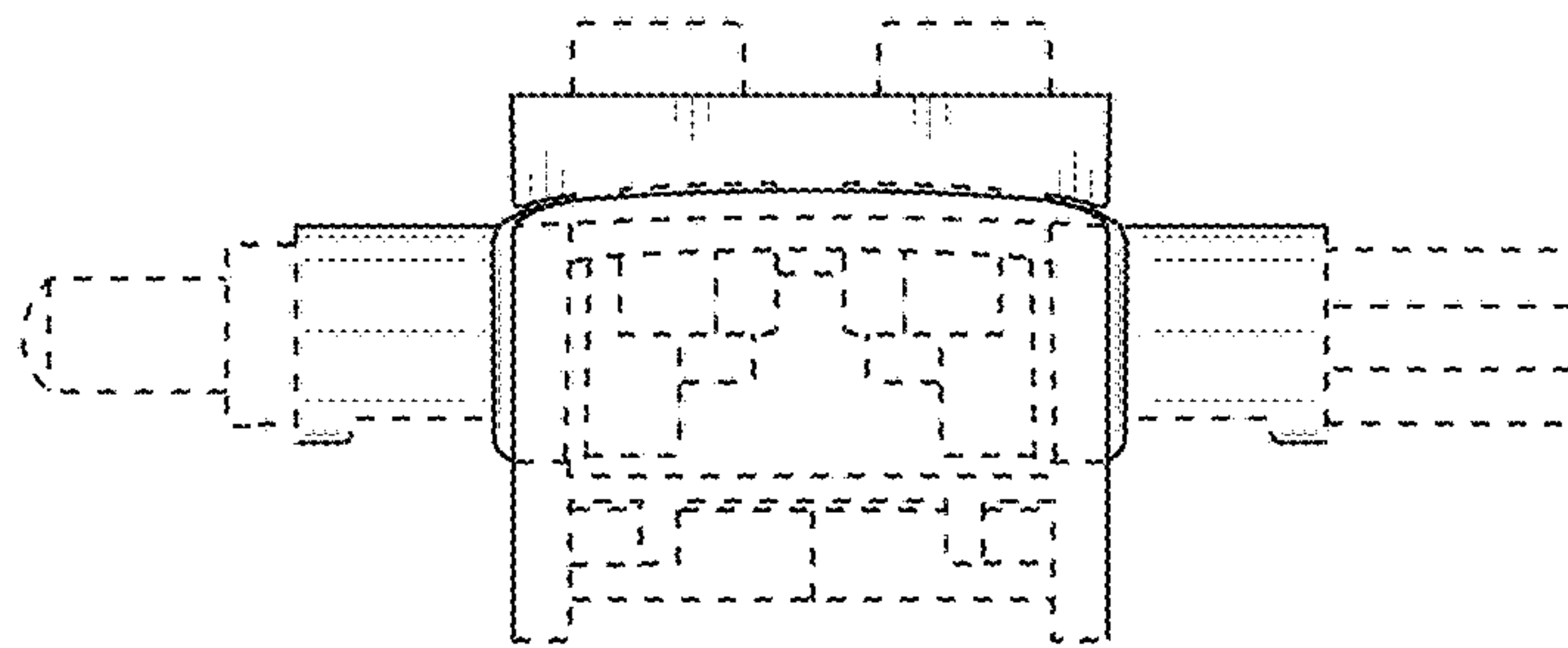


**FIG. 5**



**FIG. 6**





**FIG. 7**