



US00D860332S

(12) **United States Design Patent** (10) **Patent No.:** **US D860,332 S**
Cope (45) **Date of Patent:** **** Sep. 17, 2019**

(54) **FLYING SPINNING TOY**
(71) Applicant: **Mike Cope**, Blackhawk, CO (US)
(72) Inventor: **Mike Cope**, Blackhawk, CO (US)
(73) Assignee: **Mike Cope**, Black Hawk, CO (US)
(**) Term: **15 Years**

D215,971 S * 11/1969 Rosta D12/325
D218,365 S * 8/1970 Sherwood D12/325
D219,648 S * 1/1971 Fleissner D12/325
D220,755 S * 5/1971 Zundel D9/454
D221,453 S * 8/1971 Swanberg 416/179
3,673,731 A * 7/1972 Farhi A63H 33/18
446/46
3,689,011 A * 9/1972 Torelli B64C 27/20
244/12.2
3,724,122 A * 4/1973 Gillespie, Sr. A63H 33/18
446/46

(21) Appl. No.: **29/644,692**

(Continued)

(22) Filed: **Apr. 19, 2018**

OTHER PUBLICATIONS

(51) **LOC (12) Cl.** **21-01**

(52) **U.S. Cl.**
USPC **D21/443**; D21/455

(58) **Field of Classification Search**

USPC D12/319-345, 1-4, 16.1, 214;
D21/436-454, 455, 374; D30/160;
D23/370
CPC B64C 29/0025; B64C 2201/108; B64C
2201/048; B64C 2201/088; B64C 29/00;
B64C 29/0058; B64C 39/001; B64C
39/024; B64C 39/062; B64C 2201/141;
B64C 27/12; A63H 33/18; A63H 23/10
See application file for complete search history.

Sandeen by Spin Jammers. earliest review dated May 29, 2009.
found online [Apr. 13, 2019] https://www.amazon.com/Sandeen-Spin-Jammer-Styles-Colors/dp/B001G3C5K8/ref=cm_cr_ar_p_d_product_top?ie=UTF8.*

Primary Examiner — Marissa J Cash
(74) *Attorney, Agent, or Firm* — Holzer Patel Drennan

(57) **CLAIM**

The ornamental design for a flying spinning toy, as shown and described.

DESCRIPTION

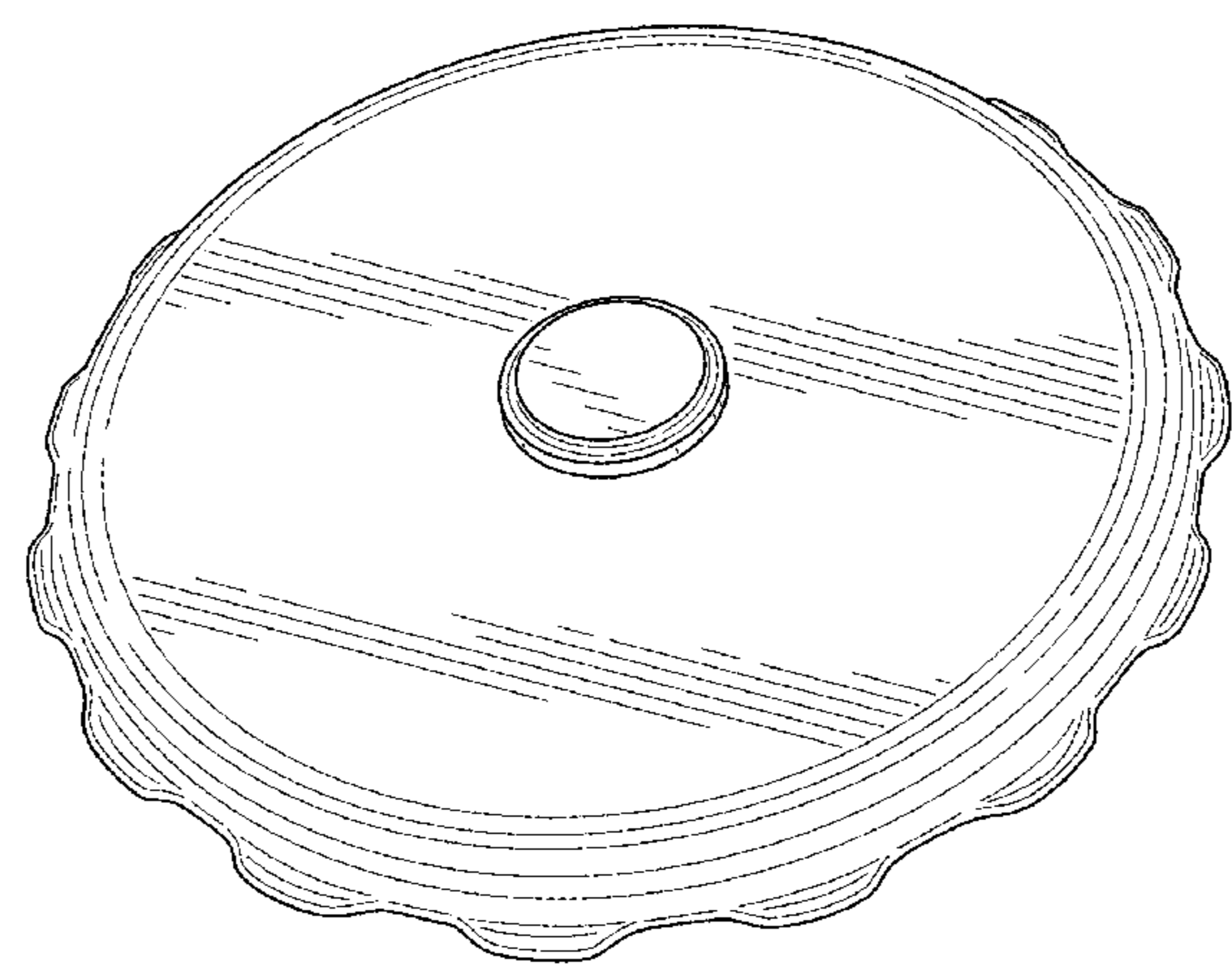
FIG. 1 is a top perspective view of a flying spinning toy; FIG. 2 is a bottom perspective view of a flying spinning toy; FIG. 3 is a top view of the flying spinning toy of FIG. 1; FIG. 4 is a bottom view of the flying spinning toy of FIG. 1; FIG. 5 is a front view of the flying spinning toy of FIG. 1; FIG. 6 is a back view of the flying spinning toy of FIG. 1; FIG. 7 is a right side view of the flying spinning toy of FIG. 1; and, FIG. 8 is a left side view of the flying spinning toy of FIG. 1.

(56) **References Cited**

U.S. PATENT DOCUMENTS

D59,709 S * 11/1921 Bruder D21/374
D171,133 S * 12/1953 Jay D12/325
2,718,364 A * 9/1955 Crabtree B64C 39/064
244/12.2
2,939,648 A * 6/1960 Fleissner B64C 39/001
244/12.2
D200,183 S * 1/1965 Ordway D12/325
D208,334 S * 8/1967 Gerds D21/443
3,359,678 A * 12/1967 Headrick A63H 33/18
446/46
D209,763 S * 1/1968 Mueller 446/48
D213,529 S * 3/1969 Sherwood D12/325

1 Claim, 6 Drawing Sheets



(56)

References Cited

U.S. PATENT DOCUMENTS

3,828,466	A *	8/1974	Geiger	A63H 33/18	446/48
D235,906	S *	7/1975	Napodano	D21/443	
3,948,523	A *	4/1976	Michael	A63H 27/12	473/588
4,086,723	A *	5/1978	Strawick	A63H 27/12	273/DIG. 24
4,152,863	A *	5/1979	Kubiatowicz	A63H 37/005	446/486
4,212,131	A *	7/1980	Ross, Jr.	A63H 33/18	446/46
4,254,575	A *	3/1981	Gould	A63H 33/18	446/219
4,255,893	A *	3/1981	Anderson	A63H 33/18	446/48
D263,429	S *	3/1982	Larrieu	D21/390	
D268,039	S *	2/1983	Osborne	D21/443	
4,516,946	A *	5/1985	Rodarte	A63H 33/18	446/46
4,516,947	A *	5/1985	Pircher	A63H 33/18	446/46
D279,803	S *	7/1985	Manning	D21/443	
4,669,995	A *	6/1987	Lombard	A63H 33/18	446/48
4,681,553	A *	7/1987	Rodarte	A63H 33/18	446/46
D295,429	S *	4/1988	Sandeen	D21/443	
4,804,156	A *	2/1989	Harmon	B64C 39/001	244/23 C
D306,045	S *	2/1990	Hill	D21/444	
D312,103	S *	11/1990	Lenox	D21/443	
5,067,923	A *	11/1991	de Bourbon	A63H 33/18	434/258
D331,607	S *	12/1992	Davis	D21/372	
D331,784	S *	12/1992	Ana	D21/444	
5,203,521	A *	4/1993	Day	B64C 39/064	244/12.2
D336,119	S *	6/1993	Bridge, Jr.	D21/443	
5,297,799	A *	3/1994	Slater	A63B 60/40	473/573
D346,626	S *	5/1994	St. Lawrence	D21/443	
D347,452	S *	5/1994	Timperman	D21/444	
D350,783	S *	9/1994	Bacon	D21/443	
D354,525	S *	1/1995	Sullivan	D21/443	
D362,470	S *	9/1995	Smith	D21/443	
D369,191	S *	4/1996	Dunipace	D21/443	
5,536,195	A *	7/1996	Stamos	A63H 33/18	446/219
D377,199	S *	1/1997	Vermey	D21/443	
D386,222	S *	11/1997	Dunipace	D21/443	
D388,134	S *	12/1997	Dunipace	D21/443	
D390,282	S *	2/1998	Burdick	D21/443	
D392,696	S *	3/1998	Johnson	D12/325	
D406,282	S *	3/1999	Pinguelo	D21/443	
D412,768	S *	8/1999	Huettner	D30/160	
D430,530	S *	9/2000	Milde, Jr.	D12/320	
D464,088	S *	10/2002	Hu	D21/443	
D465,350	S *	11/2002	Byrne	D6/407	
D466,562	S *	12/2002	Peterson	D21/443	
D466,954	S *	12/2002	Vodhanel, Jr.	D21/443	
D469,296	S *	1/2003	Byrne	D6/407	
6,783,421	B1 *	8/2004	Lopez	A63H 23/10	446/153
D501,517	S *	2/2005	Vodhanel, Jr.	A63H 33/18	D21/443
D524,877	S *	7/2006	Kort	D21/443	
D526,029	S *	8/2006	Ragonetti	A01K 15/025	D21/444
7,147,183	B1 *	12/2006	Carr	B64C 39/064	244/12.2
D536,396	S *	2/2007	Crane	D21/444	
D559,920	S *	1/2008	Krueger	D21/443	
D564,042	S *	3/2008	Roy	D21/443	
D572,315	S *	7/2008	Sowinski	D21/443	
D624,132	S *	9/2010	Cheng	D21/451	
7,976,355	B2 *	7/2011	McAnulty	A63H 33/18	119/707
D678,422	S *	3/2013	Thompson	D12/325	
D680,280	S *	4/2013	Nielsen	D30/160	
D683,516	S *	6/2013	Elias	D1/106	
D725,197	S *	3/2015	Thompson	D21/443	
D725,713	S *	3/2015	Thompson	D21/443	
D725,714	S *	3/2015	Kim	D21/443	
D778,370	S *	2/2017	Moore	D21/443	
D801,440	S *	10/2017	Pavelsky	D21/455	
9,873,064	B1 *	1/2018	Adkins	A63H 5/00	
D815,580	S *	4/2018	Kim	D12/325	
D817,251	S *	5/2018	Kim	D12/325	
D817,252	S *	5/2018	Kim	D12/325	
D822,296	S *	7/2018	Loibl	D30/160	
2004/0107431	A1 *	6/2004	Wilcoxson	A63H 33/18	720/718
2008/0064289	A1 *	3/2008	McAnulty	A01K 15/025	446/46
2009/0004945	A1 *	1/2009	deLassus	A63H 33/18	446/46
2015/0319562	A1 *	11/2015	Martin	A63B 67/06	340/8.1
2016/0262447	A1 *	9/2016	Davidson	A24F 3/00	

* cited by examiner

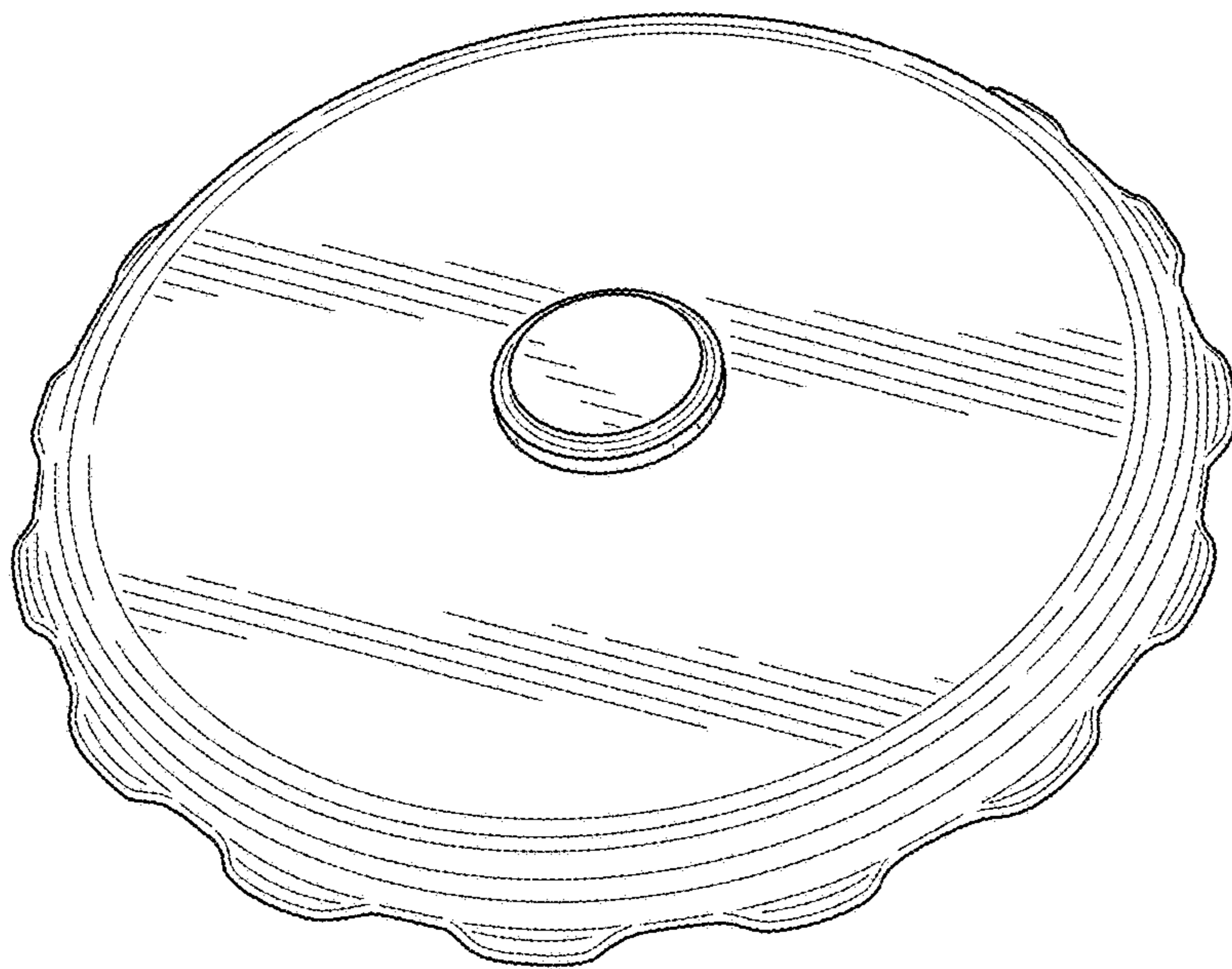


FIG.1

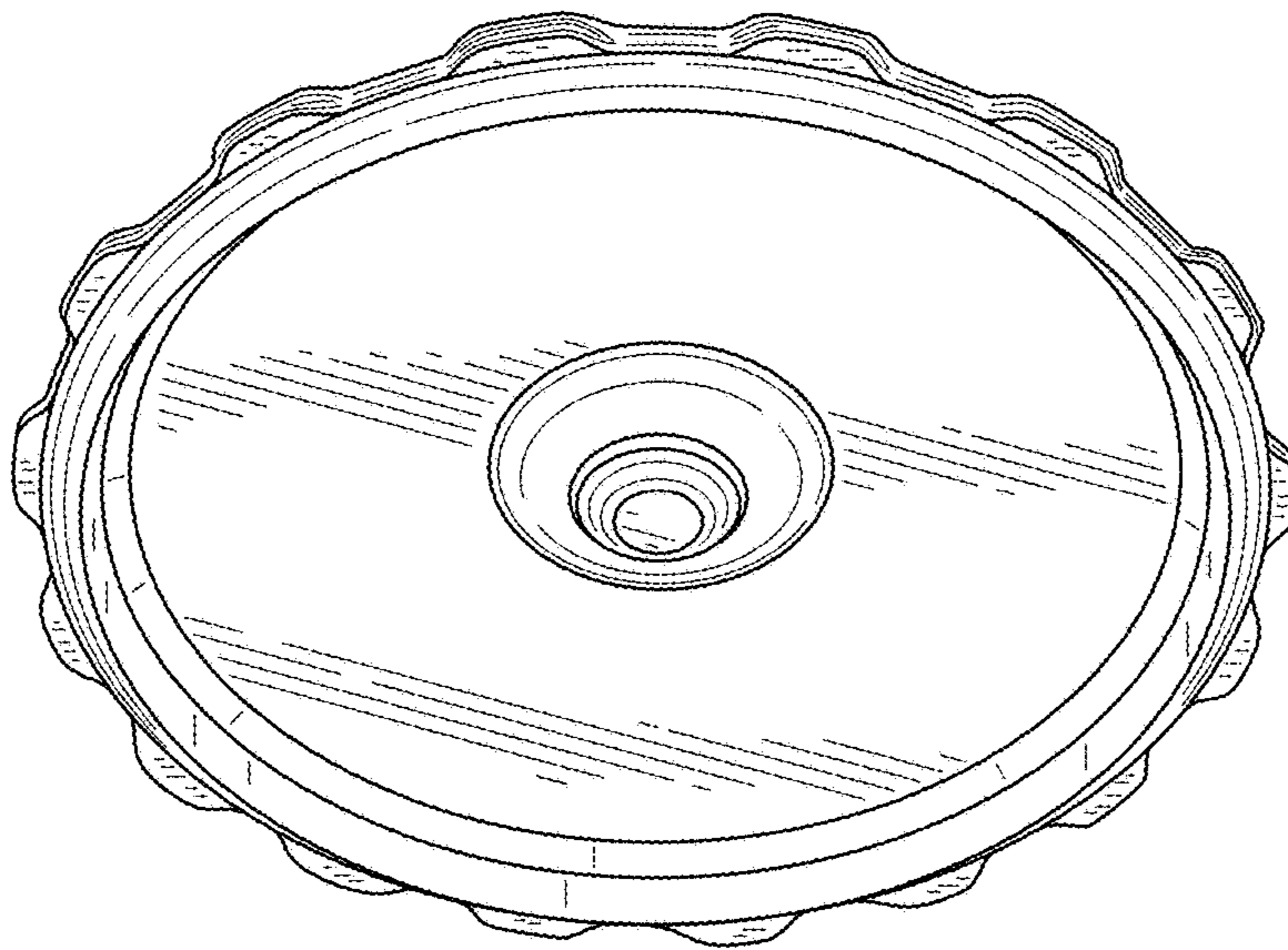


FIG.2

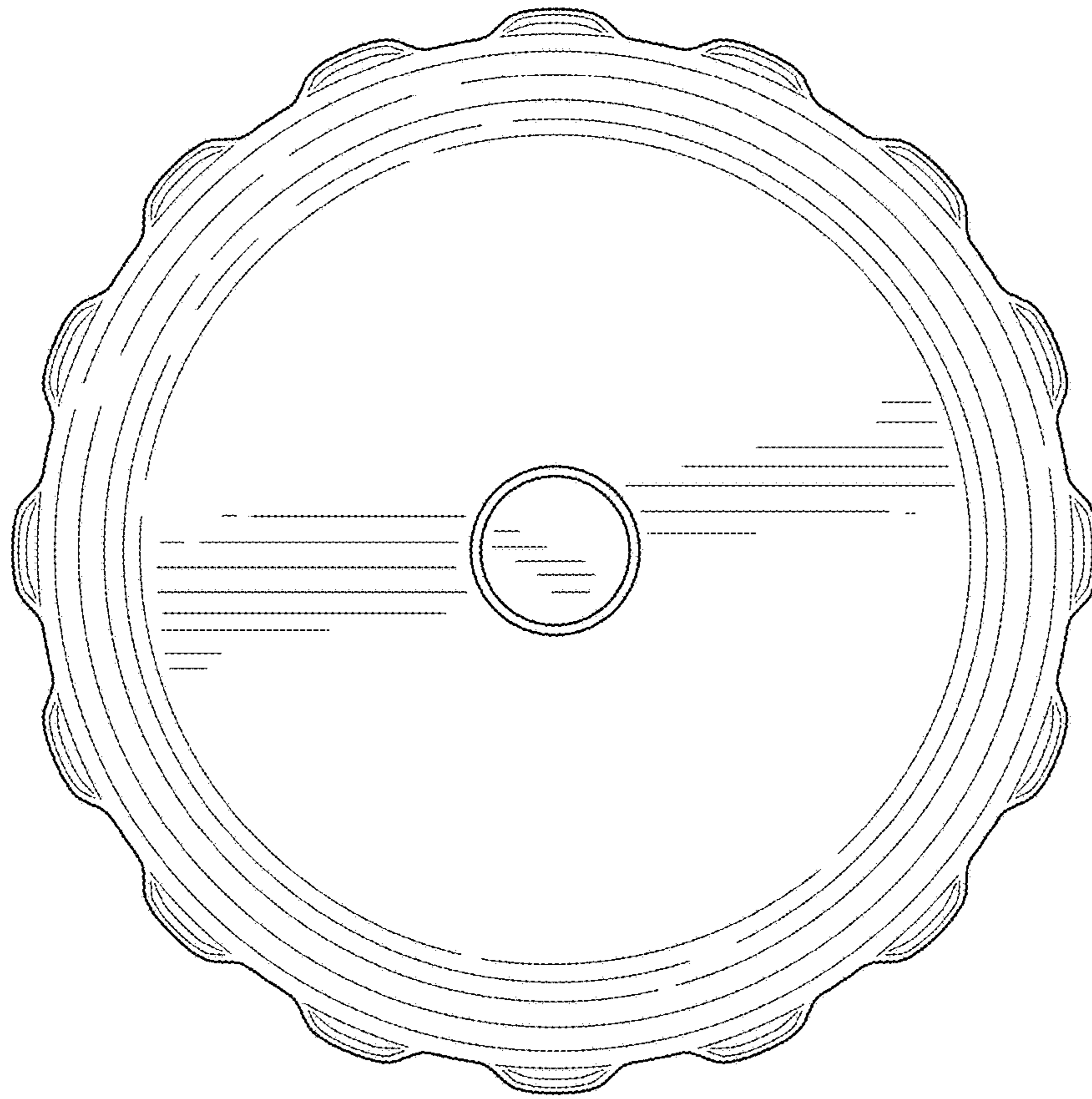


FIG.3

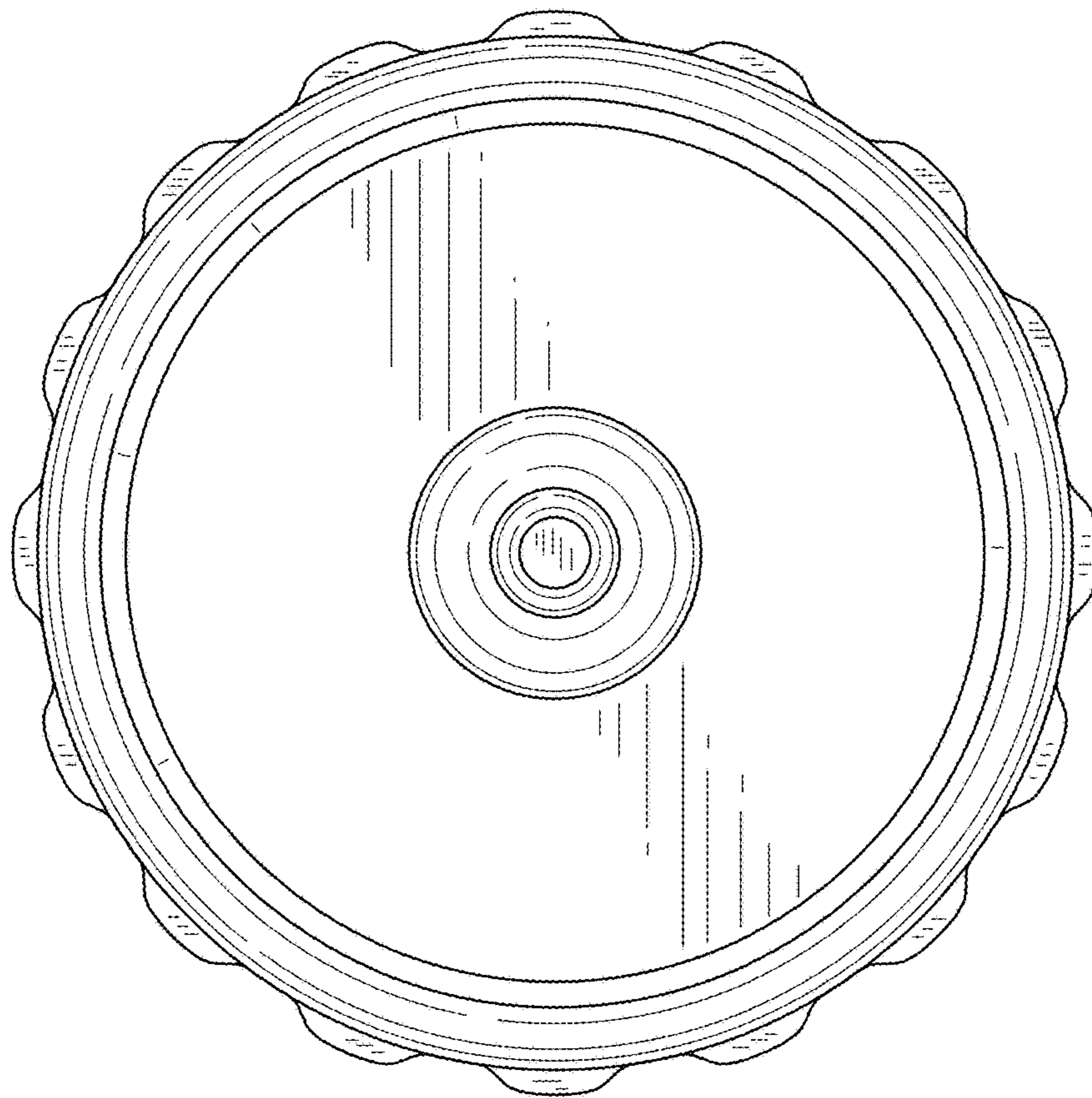


FIG.4

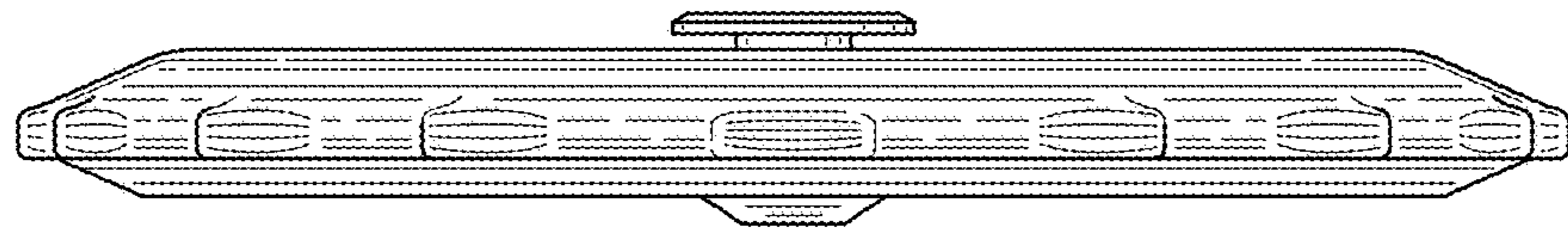


FIG.5

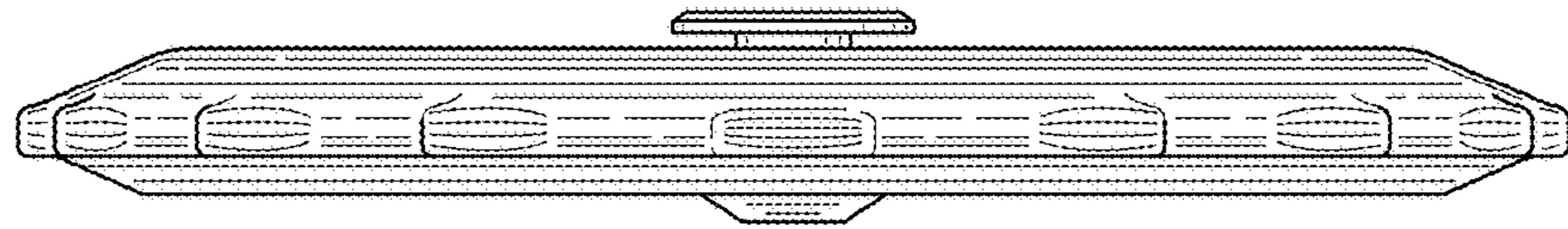


FIG.6

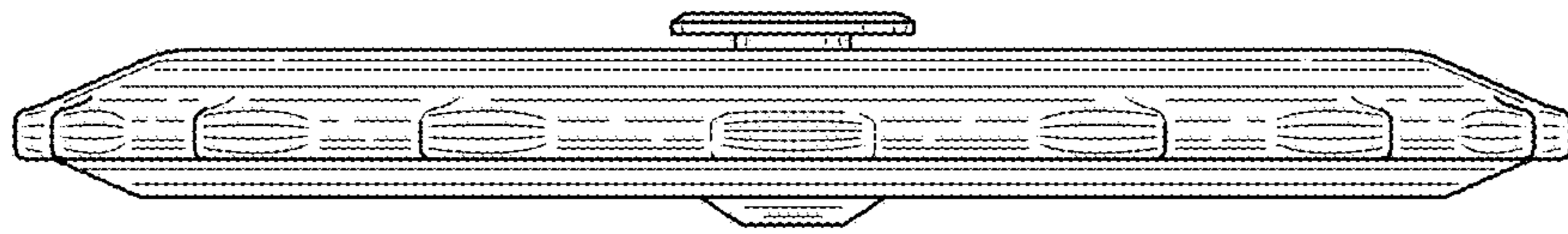


FIG.7

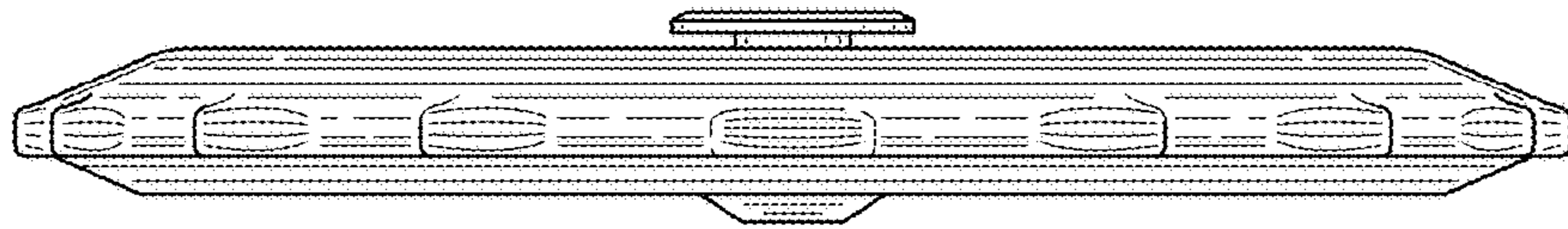


FIG.8