

US00D860327S

(12) **United States Design Patent** (10) **Patent No.:** **US D860,327 S**  
**Brand** (45) **Date of Patent:** **\*\* Sep. 17, 2019**

(54) **CHILDREN'S TOY**  
(71) Applicant: **KIDS II, INC.**, Atlanta, GA (US)  
(72) Inventor: **Sarah Brand**, Atlanta, GA (US)  
(73) Assignee: **KIDS II, INC.**, Atlanta, GA (US)  
(\*\*) Term: **15 Years**  
(21) Appl. No.: **29/617,125**

D446,554 S \* 8/2001 Gautieri ..... D21/405  
D460,950 S \* 7/2002 Miller ..... D13/168  
7,333,627 B2 2/2008 Ventrola et al.  
7,674,153 B2 \* 3/2010 King ..... A01K 15/02  
119/712  
D630,260 S \* 1/2011 Cole ..... D21/483  
8,515,092 B2 8/2013 Rucker  
D721,261 S \* 1/2015 Yong ..... D8/334  
D722,655 S \* 2/2015 Nishizawa ..... D21/483  
D834,918 S \* 12/2018 Zheng ..... D8/334  
D843,591 S \* 3/2019 Niehausen ..... D24/195  
2003/0064818 A1 \* 4/2003 Drosendahl ..... A63H 33/006  
472/118

(Continued)

(22) Filed: **Sep. 12, 2017**  
(51) **LOC (12) Cl.** ..... **21-01**  
(52) **U.S. Cl.**  
USPC ..... **D21/398**; D21/405; D21/408; D21/483  
(58) **Field of Classification Search**  
USPC ..... D21/398, 405-408, 465, 467, 468, 474,  
D21/476, 483, 493, 513, 516, 517, 566;  
D24/193-195; 446/81, 175, 227, 228,  
446/397, 404, 408, 418, 419, 421, 484,  
446/489; D13/168; D3/207-211;  
D8/334, 335; D10/104.1, 104.2, 106.1,  
D10/106.9, 106.92, 106.94, 116.1, 118.2  
CPC ..... A63H 5/00; A63H 33/00; A63H 33/006;  
A63H 33/22; A63H 33/26; A63H 33/30;  
A63H 33/3016; A63H 33/3027; A63H  
33/42

See application file for complete search history.

(56) **References Cited**  
U.S. PATENT DOCUMENTS

3,497,992 A \* 3/1970 Balter ..... A63H 33/00  
446/76  
D265,749 S \* 8/1982 Nakao ..... D21/408  
D317,793 S \* 6/1991 Takahashi ..... D21/405  
D332,118 S \* 12/1992 Shiraiishi ..... D14/143  
D371,441 S \* 7/1996 Nakata ..... D24/194  
D381,751 S \* 7/1997 Lun ..... D24/194  
5,944,574 A 8/1999 Small et al.  
6,116,983 A 9/2000 Long et al.

FOREIGN PATENT DOCUMENTS

CA 2300180 A1 \* 2/1999 ..... A63H 5/00  
CA 2503698 A1 \* 9/2006 ..... A63H 33/006

(Continued)

*Primary Examiner* — Catherine A Tuttle  
(74) *Attorney, Agent, or Firm* — Gardner Groff &  
Greenwald, P.C.

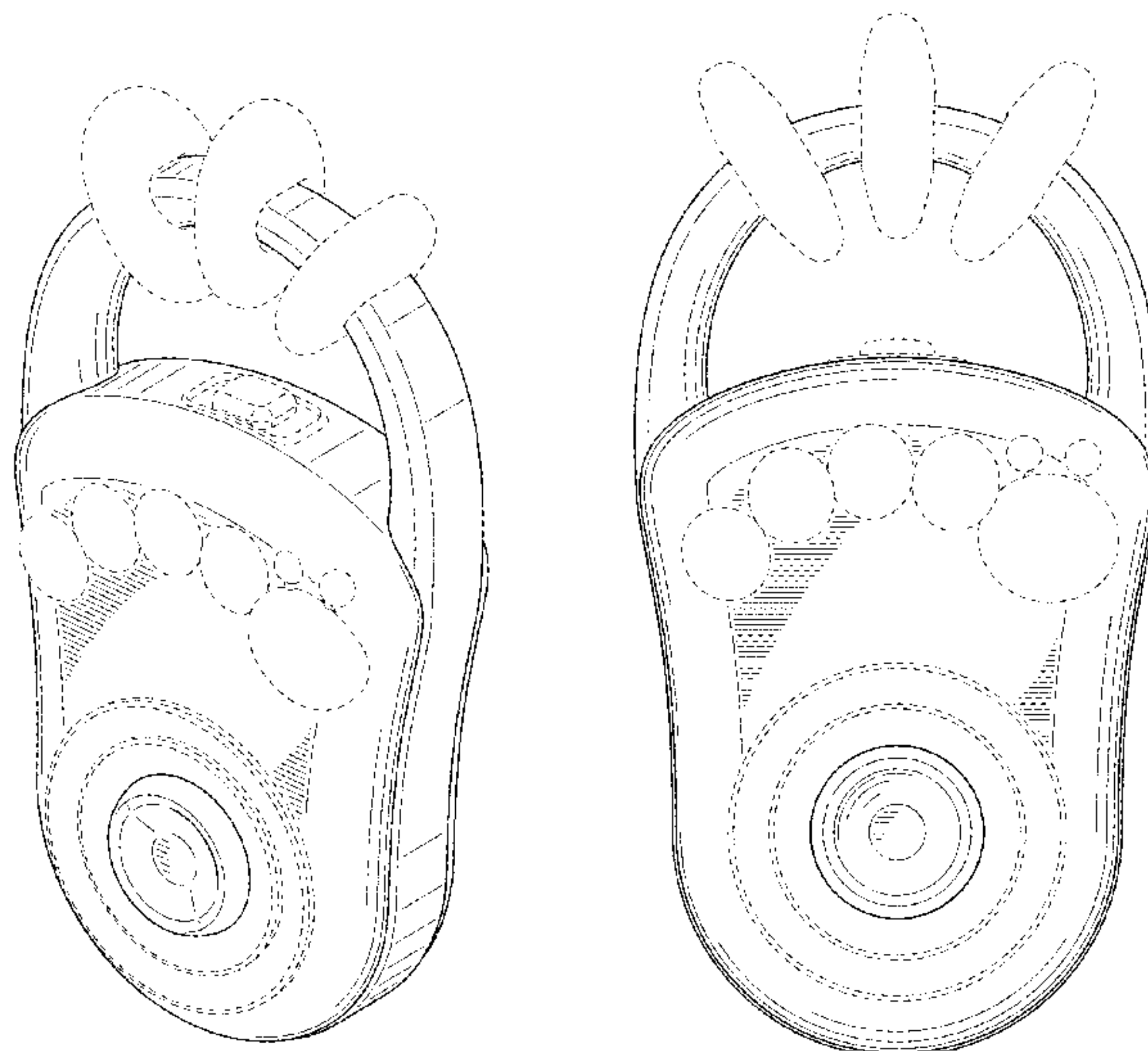
(57) **CLAIM**

The ornamental design for a children's toy, substantially as shown and described.

**DESCRIPTION**

FIG. 1 is a top perspective view of a children's toy, embodying my new design;  
FIG. 2 is a top view thereof;  
FIG. 3 is a bottom view thereof;  
FIG. 4 is a front view thereof;  
FIG. 5 is a rear view thereof;  
FIG. 6 is a right side view thereof; and,  
FIG. 7 is a left side view thereof.  
Portions shown in broken lines are for illustrative purposes only and form no part of the claimed design.

**1 Claim, 3 Drawing Sheets**



(56)

**References Cited**

U.S. PATENT DOCUMENTS

2006/0260663 A1\* 11/2006 Sejnowski ..... A63H 33/006  
135/16  
2006/0264148 A1\* 11/2006 Sejnowski ..... A63H 33/006  
446/227  
2008/0176480 A1\* 7/2008 Gelfond ..... A63H 33/006  
446/227  
2010/0060448 A1\* 3/2010 Larsen ..... A63H 33/006  
340/539.15  
2013/0331002 A1 12/2013 Amireh

FOREIGN PATENT DOCUMENTS

CN 301034572 \* 10/2009  
CN 301531579 \* 4/2011  
CN 302761489 \* 3/2014  
CN 302865831 \* 7/2014  
CN 303258001 \* 6/2015  
CN 303806774 \* 8/2016  
DE 29602619 U1 \* 6/1996 ..... A63H 33/30

\* cited by examiner

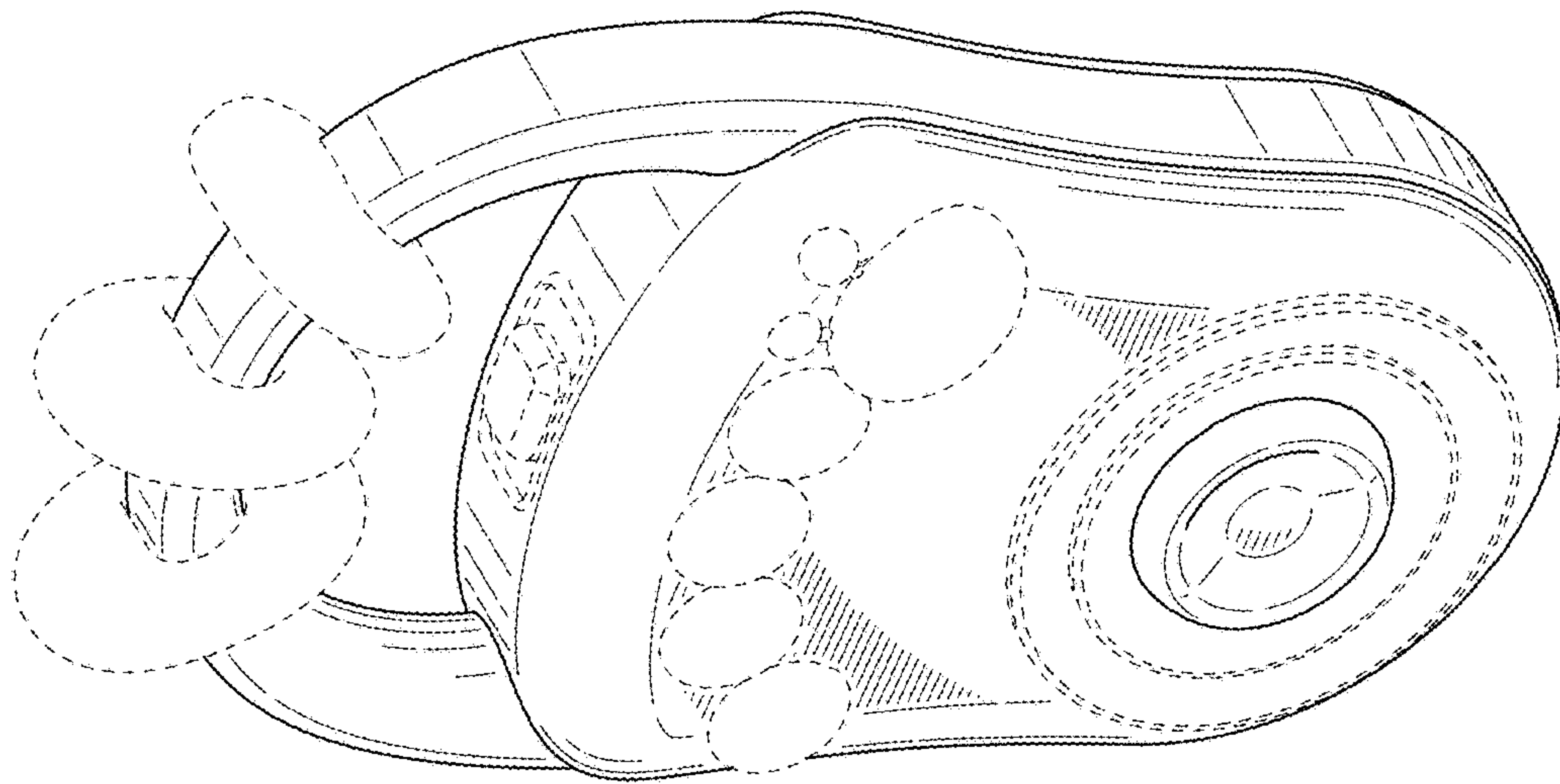


FIG. 1

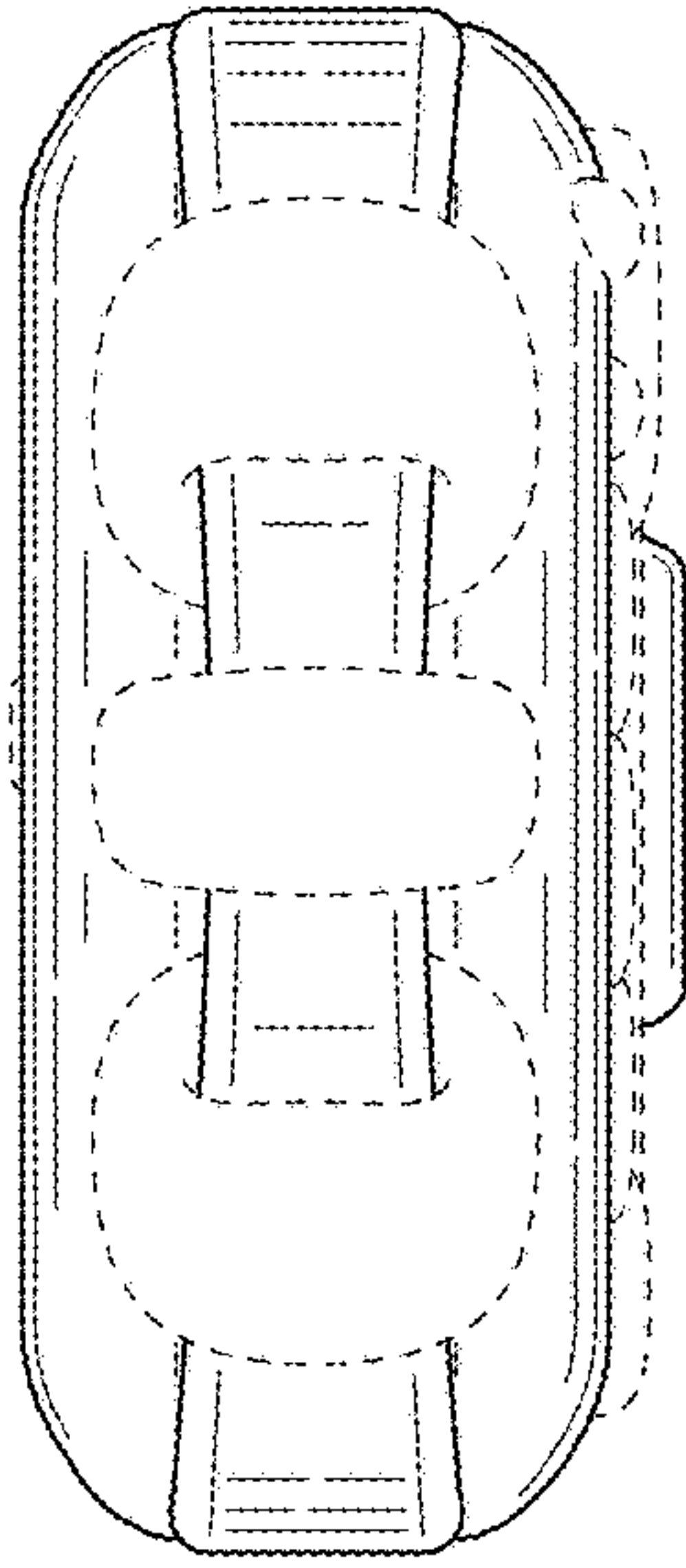


FIG. 2

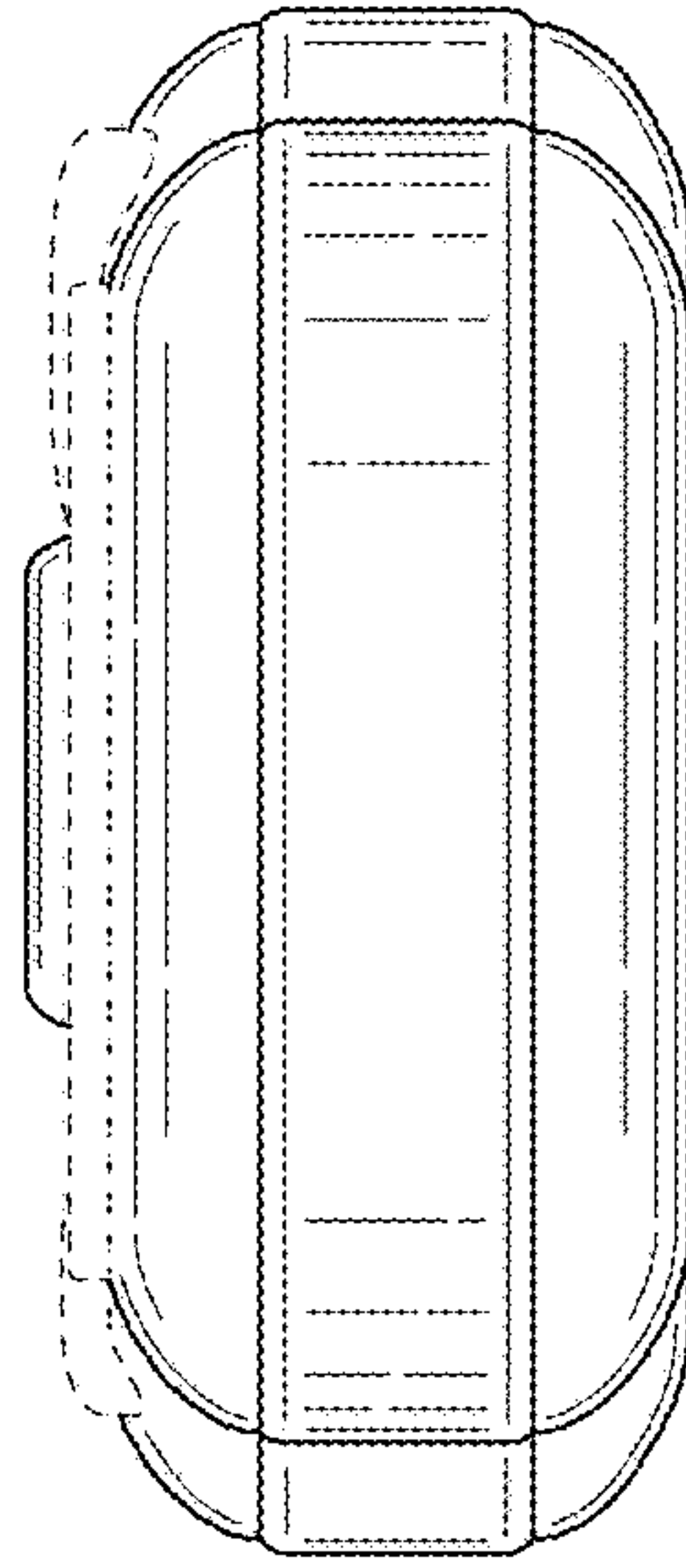


FIG. 3



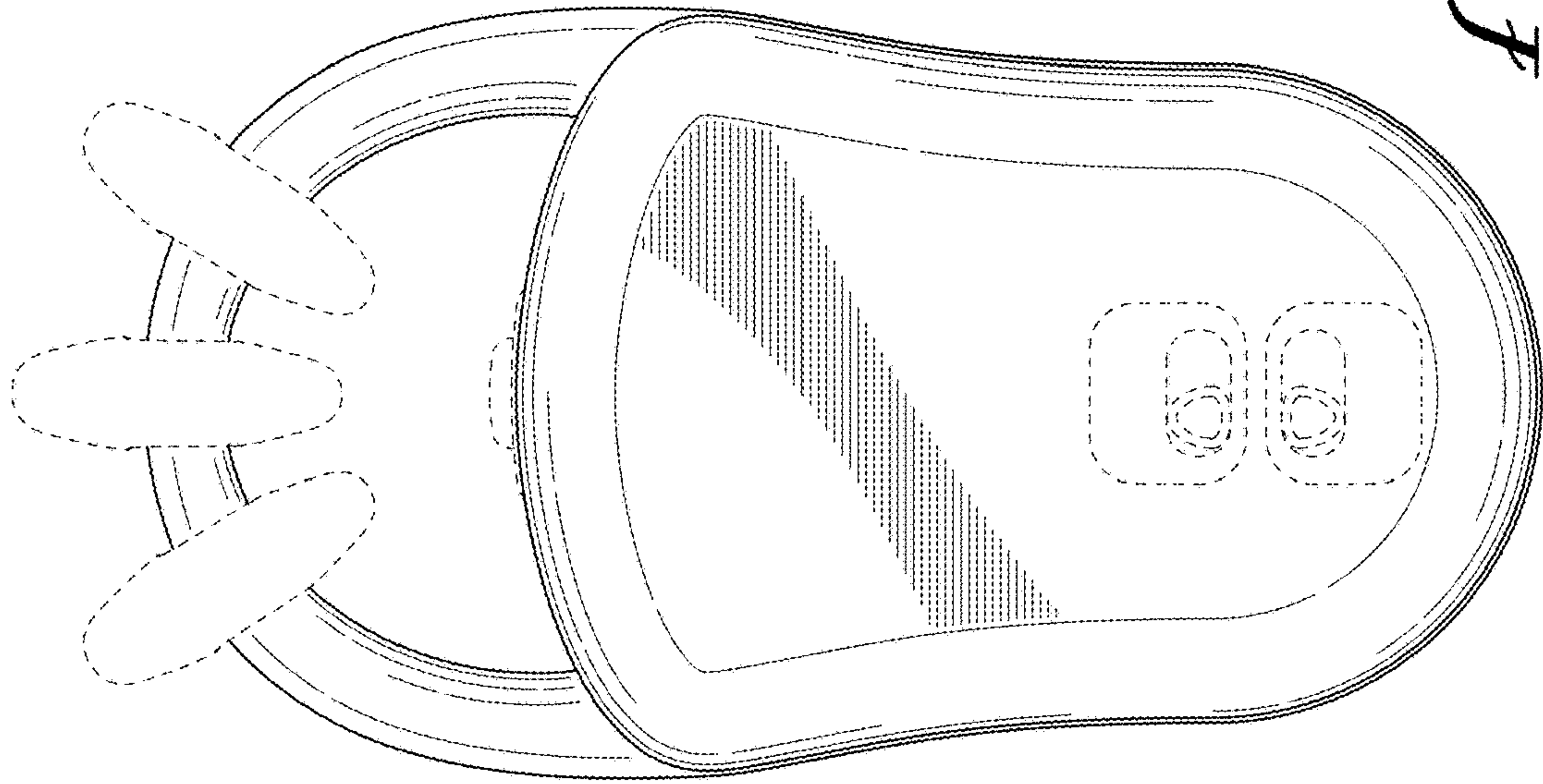


FIG. 5

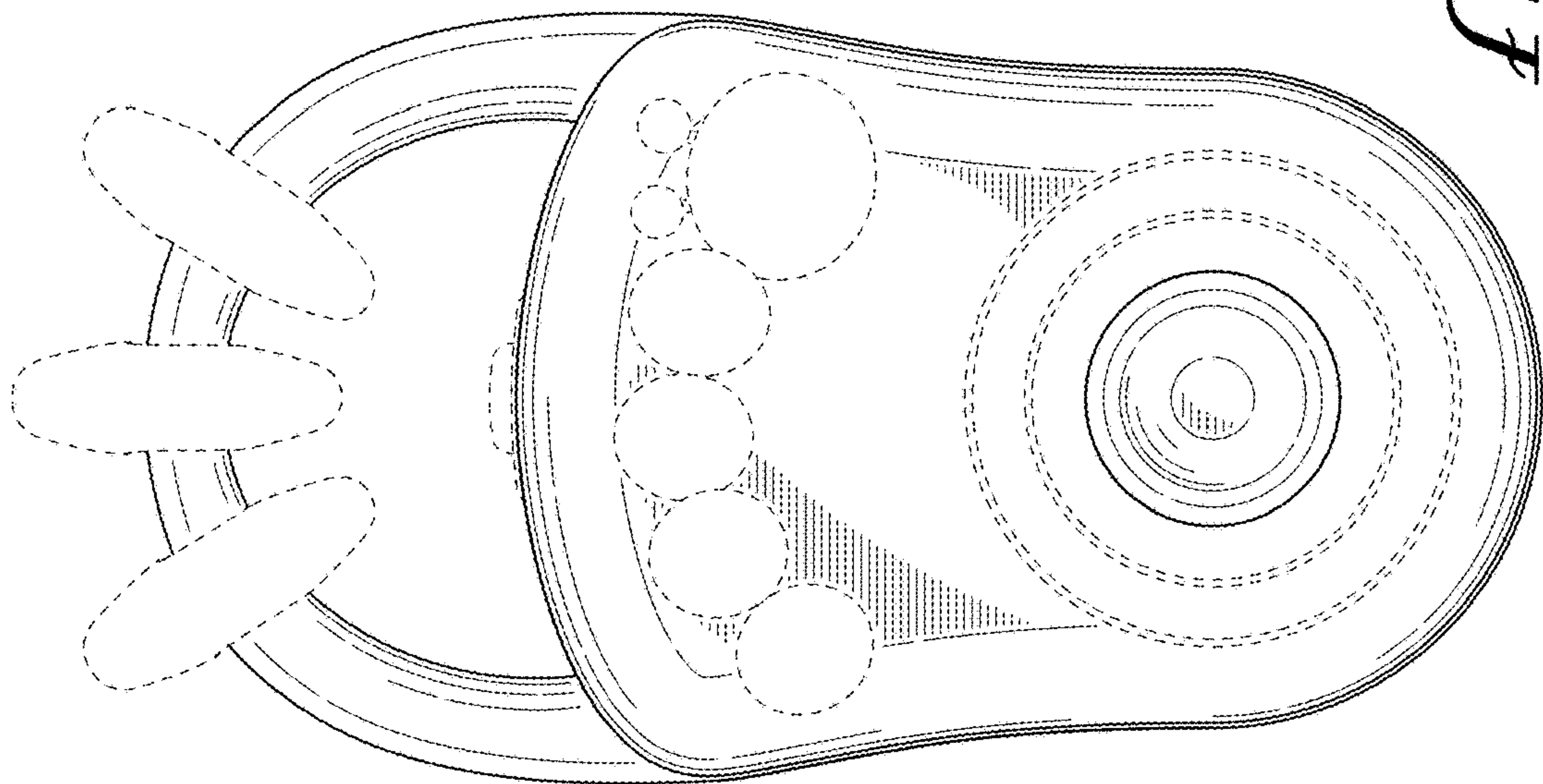


FIG. 4

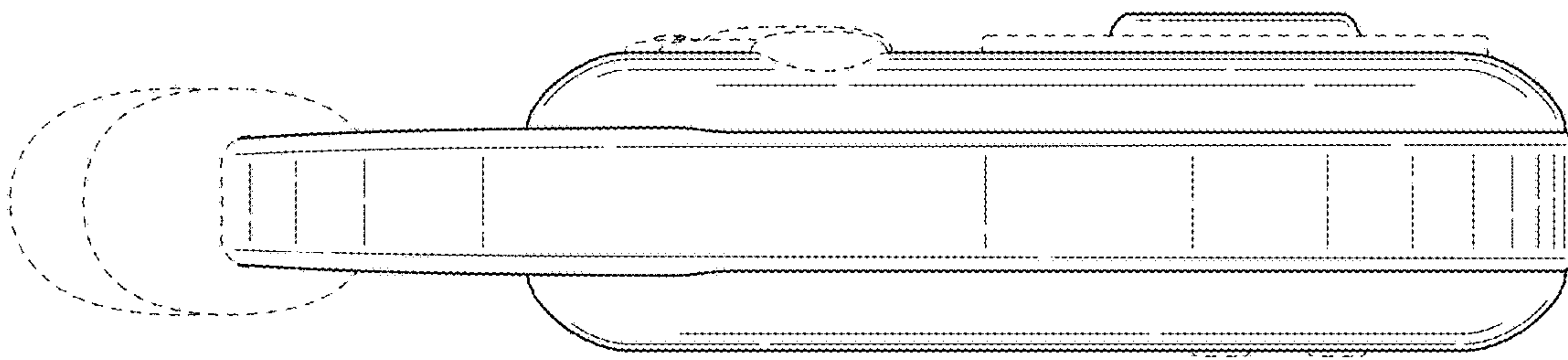


FIG. 7

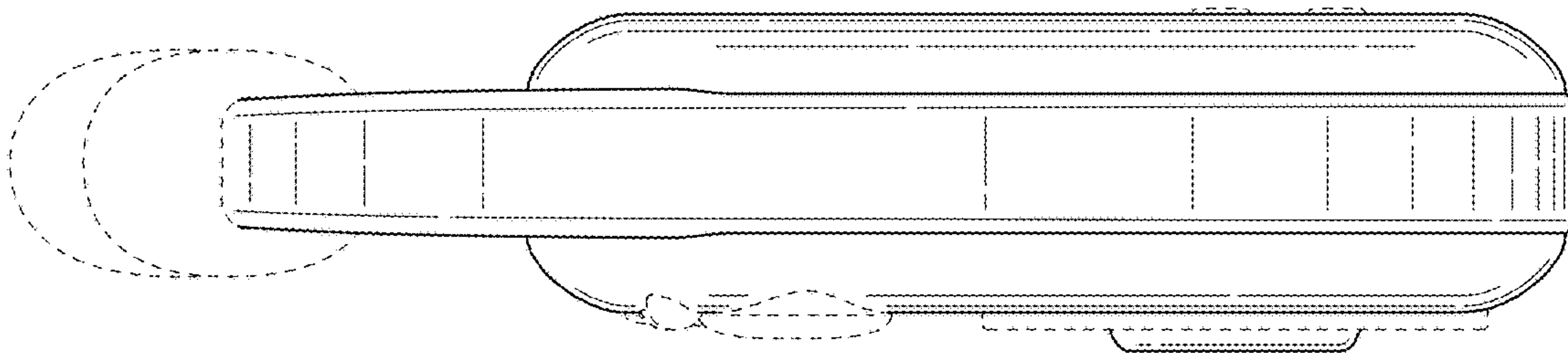


FIG. 8