

US00D860326S

(12) **United States Design Patent** (10) **Patent No.:** **US D860,326 S**
Vanacore et al. (45) **Date of Patent:** **** Sep. 17, 2019**

(54) **CARD HOLDER**
(71) Applicant: **Half Deck Productions, LLC**,
Valencia, CA (US)
(72) Inventors: **David Vanacore**, Valencia, CA (US);
Kenneth William McMahan, Valencia,
CA (US); **Greg Hill**, Valencia, CA
(US); **Eric P. Rose**, Tarzana, CA (US)
(73) Assignee: **HALF DECK PRODUCTIONS, LLC**,
Valencia, CA (US)

D367,501 S 2/1996 Molt
D372,742 S 8/1996 Kakudo
D389,870 S * 1/1998 Hart D19/86
D397,735 S * 9/1998 Spranger 5/639
D424,125 S 5/2000 Cregan
D431,052 S 9/2000 Wilcox
6,142,315 A 11/2000 Arout
D439,622 S 3/2001 Golad et al.
6,854,730 B2 2/2005 Braun
6,964,402 B2 * 11/2005 Savalas A47B 63/00
248/441.1
D521,079 S * 5/2006 Bertrand D21/392
D597,604 S 8/2009 Jungbae

(Continued)

(**) Term: **15 Years**

Primary Examiner — George D. Kirschbaum

(21) Appl. No.: **29/621,156**

(74) *Attorney, Agent, or Firm* — Loza & Loza, LLP;
Tyler J. Barrett

(22) Filed: **Oct. 4, 2017**

(57) **CLAIM**

(51) **LOC (12) Cl.** **21-01**

The ornamental design for a card holder, as shown and described.

(52) **U.S. Cl.**

USPC **D21/392**

(58) **Field of Classification Search**

USPC D21/392; D6/676, 683.1; D19/90, 91,
D19/86; D20/44

CPC A63F 1/10; A63F 3/0415; A47B 63/00;
F25D 25/02

See application file for complete search history.

DESCRIPTION

FIG. 1 is a front top right side perspective view of a card holder;

FIG. 2 is a rear bottom right side perspective view of the card holder of FIG. 1;

FIG. 3 is a front elevation view of the card holder of FIG. 1;

FIG. 4 is a rear elevation view of the card holder of FIG. 1;

FIG. 5 is a left side elevation view of the card holder of FIG. 1;

FIG. 6 is a right side elevation view of the card holder of FIG. 1;

FIG. 7 is a top plan view of the card holder of FIG. 1; and,
FIG. 8 is a bottom plan view of the card holder of FIG. 1.

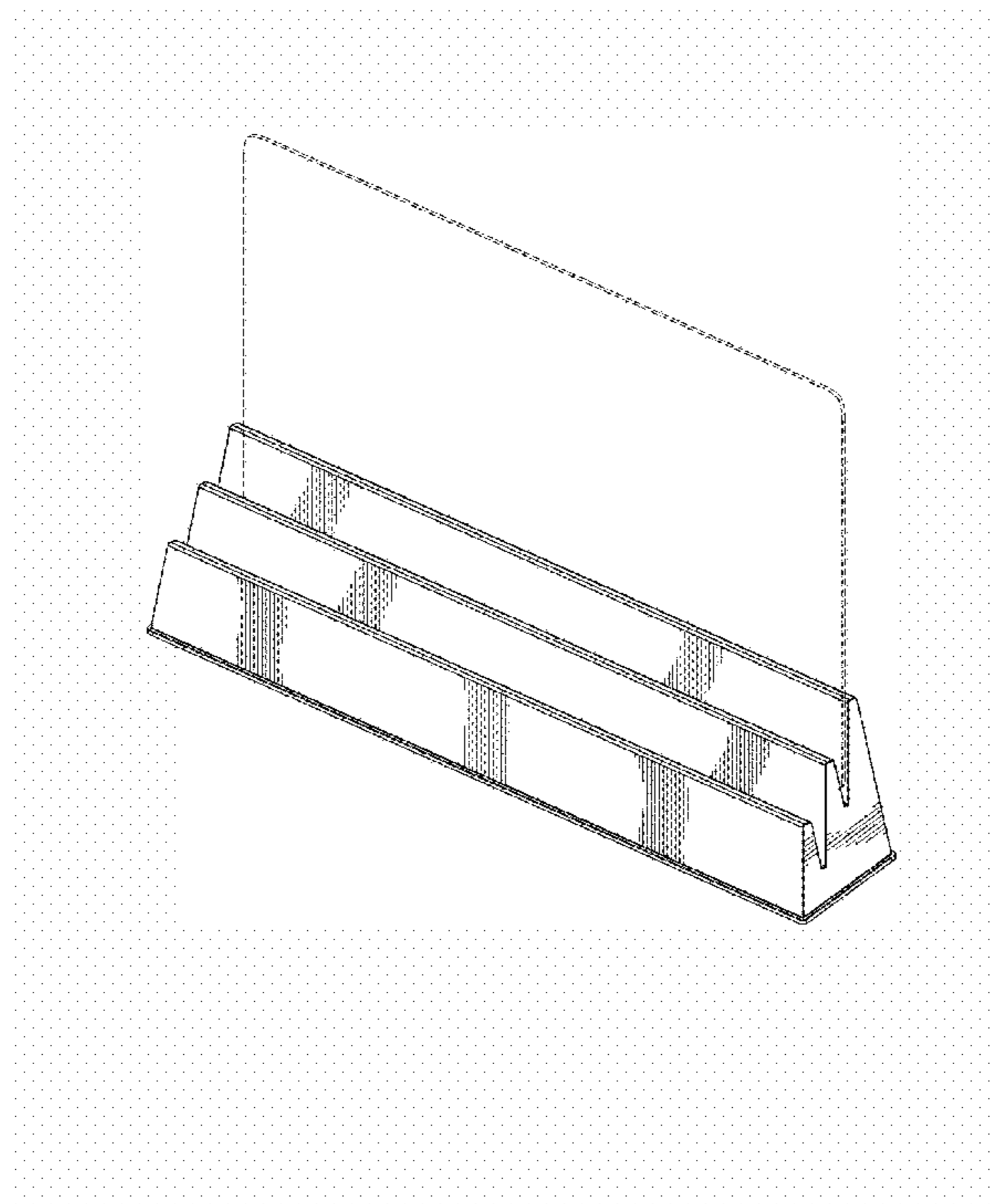
The broken lines depict unclaimed environmental subject matter.

(56) **References Cited**

U.S. PATENT DOCUMENTS

600,879 A * 3/1898 Louden F25D 25/02
211/153
1,588,618 A 6/1926 Rosen
2,742,292 A 4/1956 McDonough
2,785,901 A 3/1957 McLemore
2,824,741 A * 2/1958 Wiley A63F 3/0415
206/315.1
D286,167 S 10/1986 Greitzer
D347,451 S * 5/1994 Kazakowitz D20/44
D353,412 S * 12/1994 Bull D21/392

1 Claim, 4 Drawing Sheets



(56)

References Cited

U.S. PATENT DOCUMENTS

7,568,698 B2 *	8/2009	Bertrand	A63F 1/10 273/148 A
D635,191 S	3/2011	Cheetwood	
D645,903 S *	9/2011	Tsai	D19/90
D660,912 S *	5/2012	Denzinger	D19/91
D674,215 S *	1/2013	McDonough	D6/683.1
D703,470 S *	4/2014	McDonough	D6/676.3

* cited by examiner

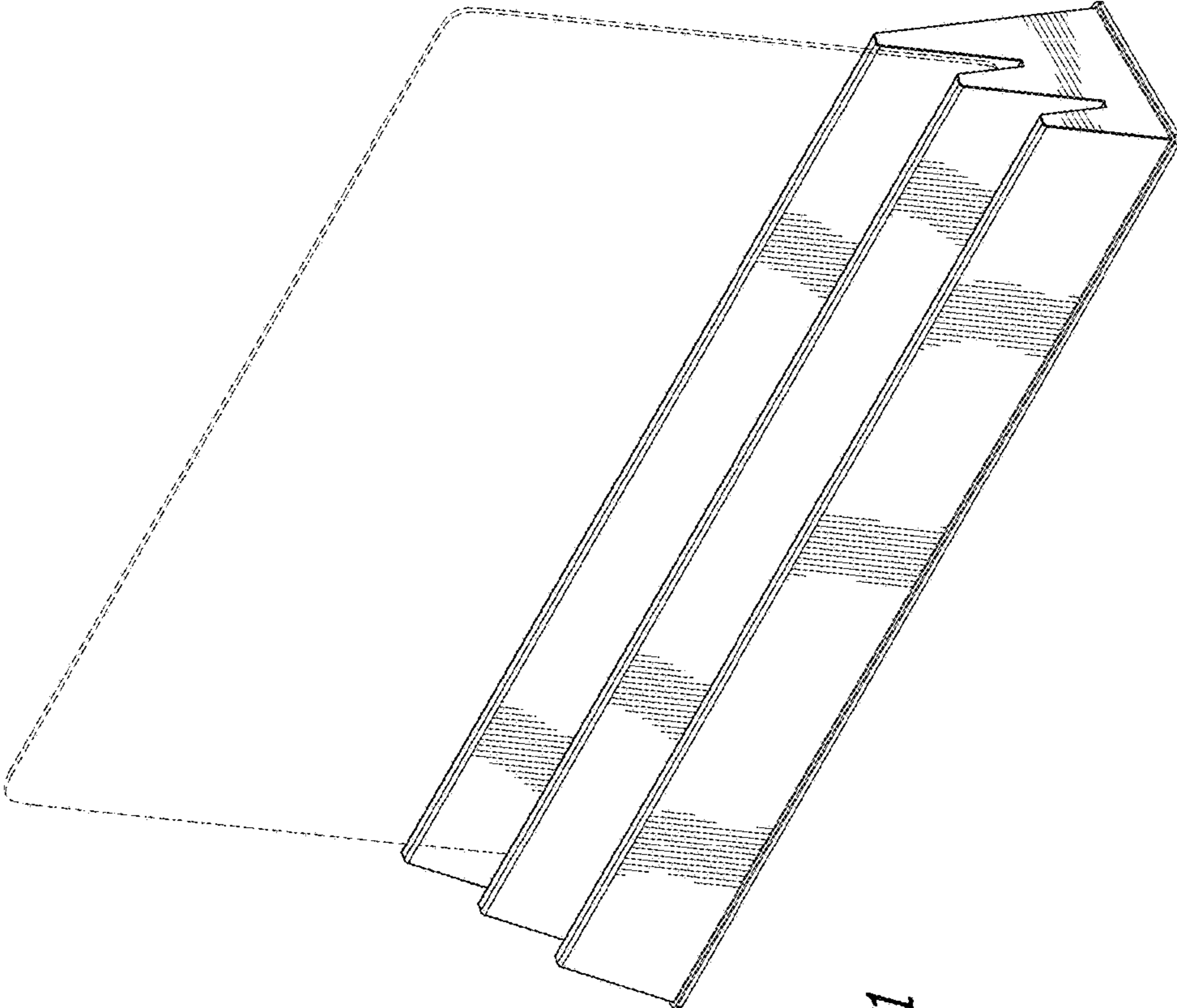


FIG. 1

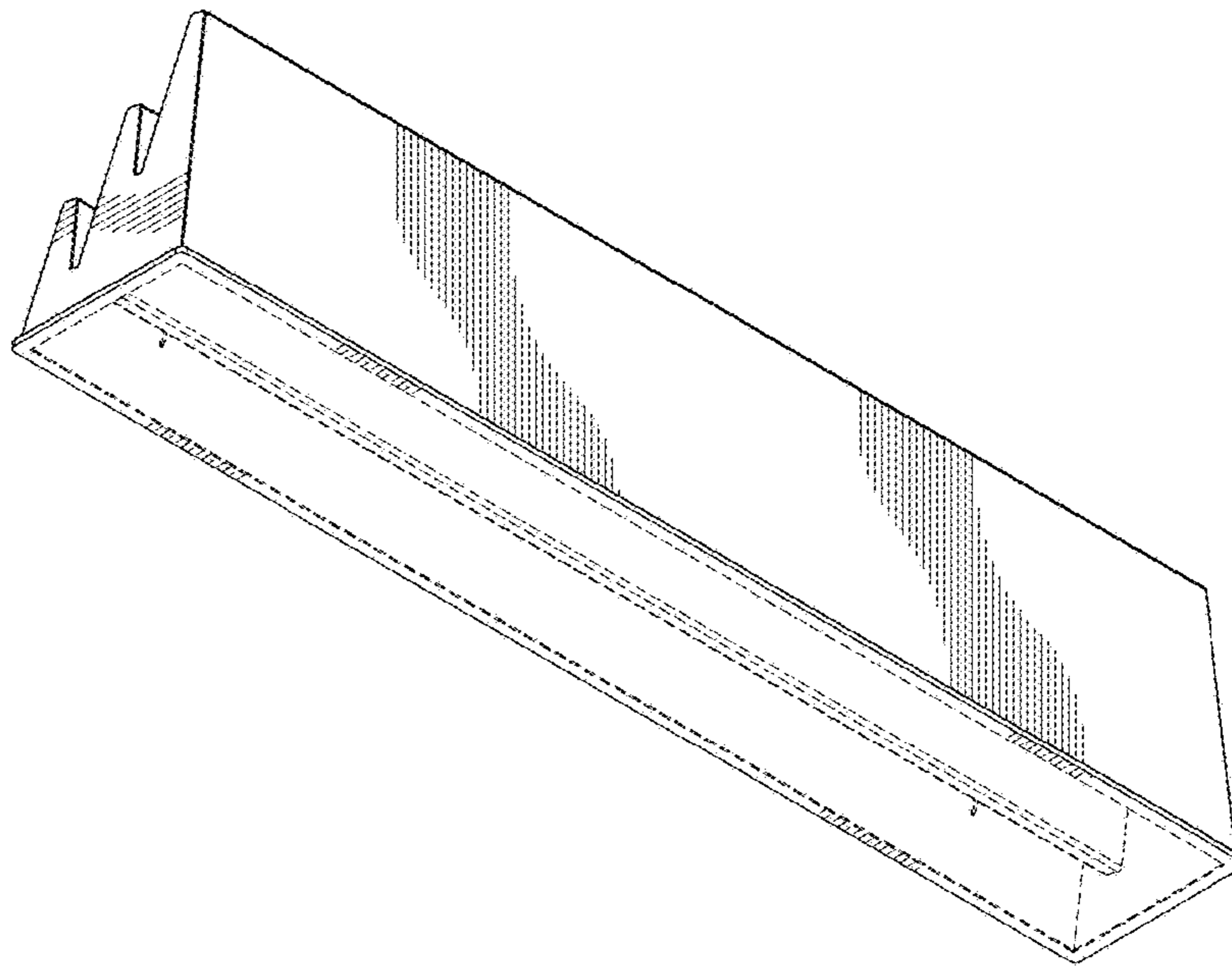


FIG. 2

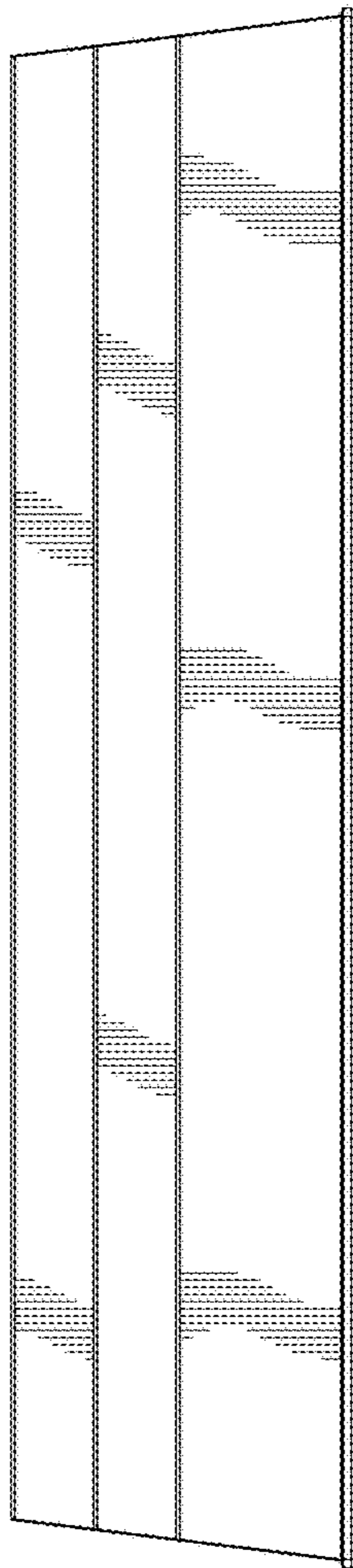


FIG. 3

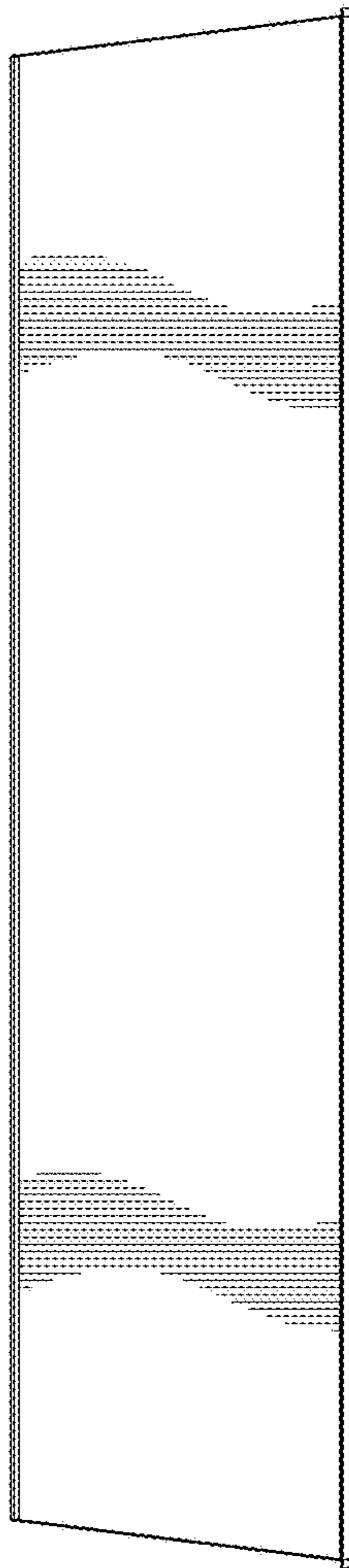


FIG. 4

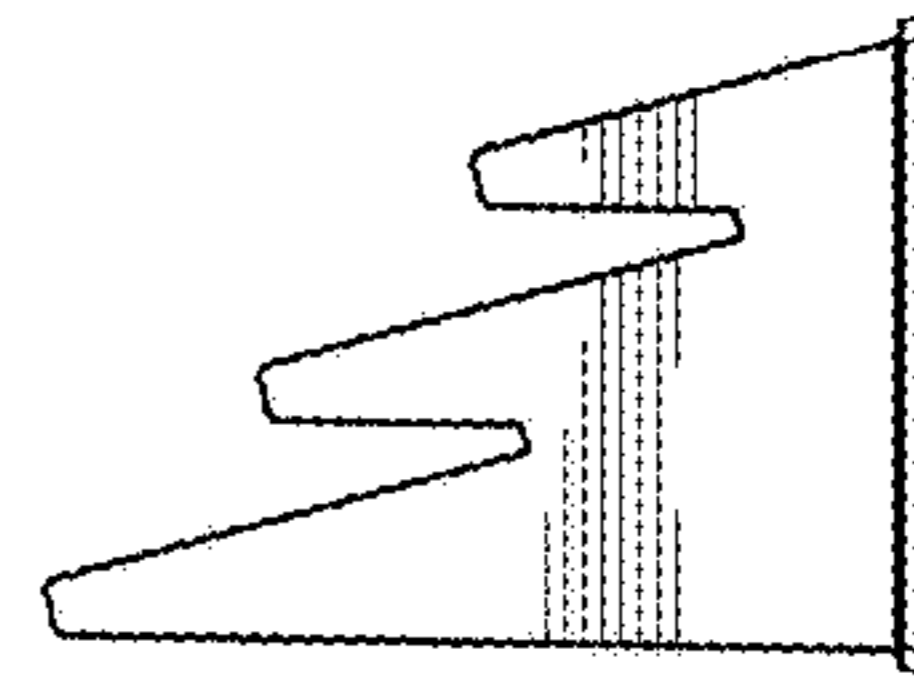


FIG. 5

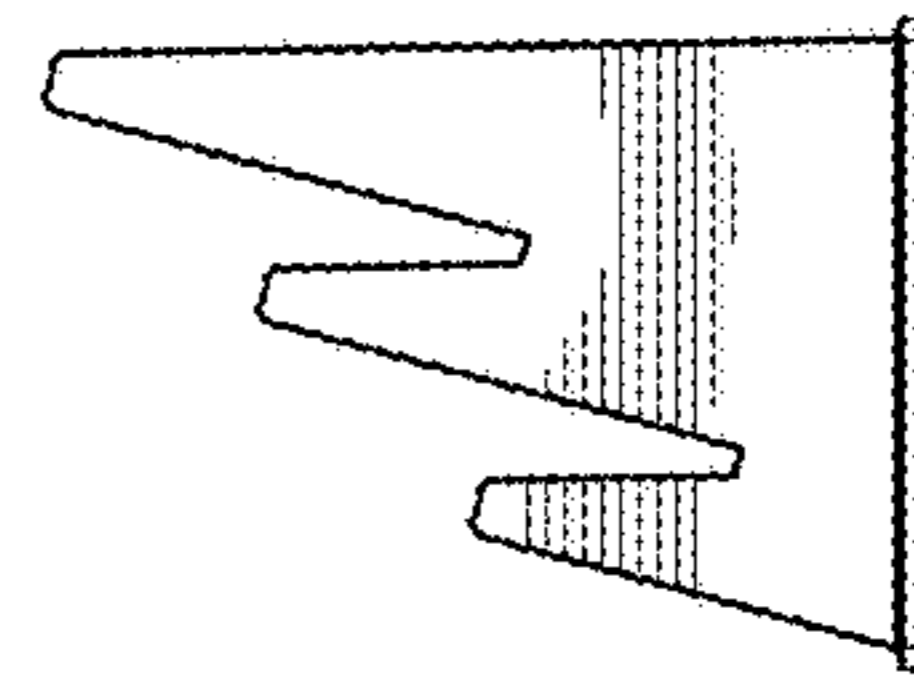


FIG. 6

FIG. 7

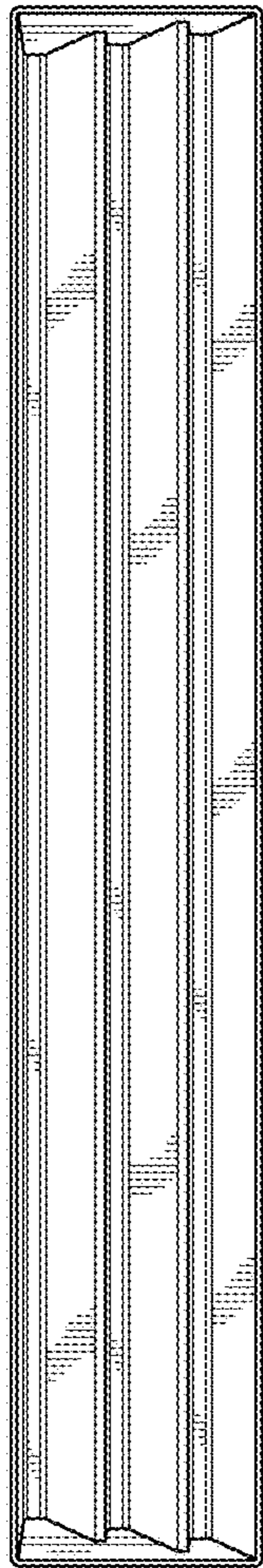


FIG. 8

