



US00D860325S

(12) **United States Design Patent**
Ding

(10) **Patent No.:** **US D860,325 S**

(45) **Date of Patent:** **** Sep. 17, 2019**

(54) **PORTABLE GAMING APPARATUS**

(71) Applicant: **Jianying Ding**, Rancho Cucamonga,
CA (US)

(72) Inventor: **Jianying Ding**, Rancho Cucamonga,
CA (US)

(**) Term: **15 Years**

(21) Appl. No.: **29/617,467**

(22) Filed: **Sep. 14, 2017**

(51) **LOC (12) Cl.** **21-01**

(52) **U.S. Cl.**

USPC **D21/303**

(58) **Field of Classification Search**

USPC D21/303, 301, 302, 304, 300, 334, 336,
D21/341, 342, 343, 319, 789, 790, 791,
D21/792, 397, 312, 322, 699, 705;
273/398-404, 343, 317, 336, 348, 407,
273/408, 410, 108, 287, 331, 236, 118 R,
273/123 R, 127 R, 120 R, 127 B, 395,
273/396, 245; 473/180, 175, 179, 182,
473/185, 187, 569, 592; D6/392, 718;
5/110-114, 120-123, 89.1, 127-130, 625,
5/627, 655, 630-634

CPC A63B 63/00; A63B 63/003; A63B 63/08;
A63B 67/00; A63B 67/02; A63B 67/06;
A63B 67/066; A63B 2063/001; A63B
2063/002; A63B 2067/065; A63B
2067/063; A63B 2067/061; A63B
2208/12; A63B 71/00; A63B 2210/50;
A63B 2024/0046; A63B 69/3661; A63B
69/0097; A63F 7/386

See application file for complete search history.

(56) **References Cited**

U.S. PATENT DOCUMENTS

285,396 A * 9/1883 De Windt A63F 9/0204
273/382
469,554 A * 2/1892 Favor A63B 67/06
273/401

1,558,766 A * 10/1925 Smith A63B 57/357
473/184
1,558,767 A * 10/1925 Smith A63B 57/357
473/184
1,689,476 A * 10/1928 Brumder A63B 57/357
473/182
2,209,034 A * 7/1940 Paul A63B 21/023
482/57
2,744,752 A * 5/1956 Arnold A63B 67/06
273/398
2,938,572 A * 5/1960 Solloway A47C 20/08
297/296
2,944,816 A * 7/1960 Dixon A63B 69/0097
273/395

(Continued)

Primary Examiner — Susan Moon Lee

(74) *Attorney, Agent, or Firm* — Che-Yang Chen; Law
offices of Scott Warmuth

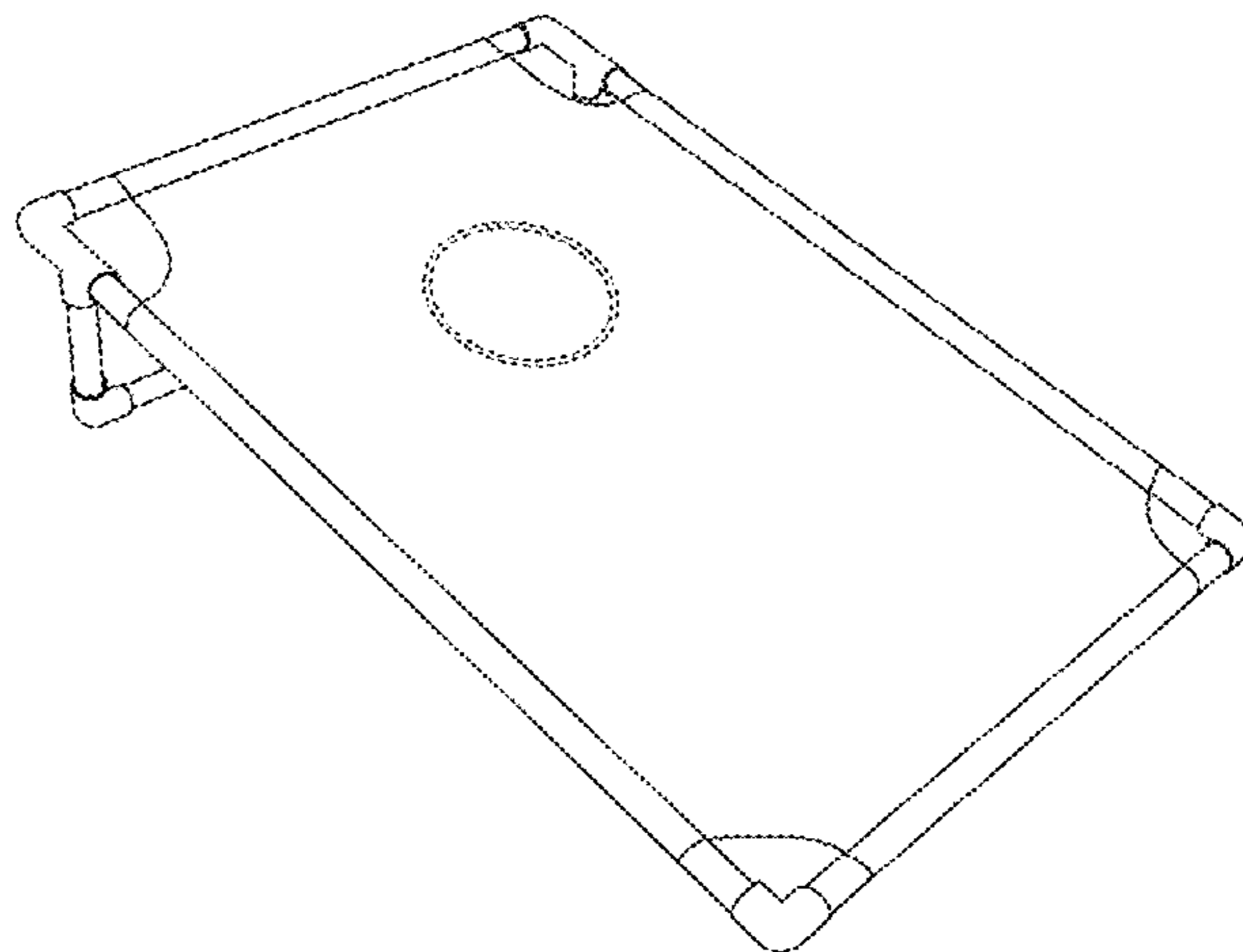
(57) **CLAIM**

The ornamental design for a portable gaming apparatus, as
shown and described.

DESCRIPTION

FIG. 1 is a perspective view of the portable gaming appa-
ratus showing my new design;
FIG. 2 is a front view of the front component of the portable
gaming apparatus that is situated opposite the rear foot stand
component;
FIG. 3 is a rear elevation view of the portable gaming
apparatus;
FIG. 4 is a left side elevation view thereof;
FIG. 5 is a right side elevation view thereof;
FIG. 6 is a top plan view thereof; and,
FIG. 7 is a bottom plan view thereof.
The broken lines depict unclaimed features of the portable
gaming apparatus that form no part of the design claim but
are shown for purposes of illustration.

1 Claim, 5 Drawing Sheets



(56)

References Cited

U.S. PATENT DOCUMENTS

D205,040 S *	6/1966	Bruns	273/400	4,961,586 A *	10/1990	Conville	A63B 67/06 273/402
3,264,001 A *	8/1966	Urban	A63B 63/00 273/396	5,016,891 A *	5/1991	Nelson	A63B 63/007 273/317
3,328,033 A *	6/1967	Hendry	A63B 63/00 248/328	5,050,889 A *	9/1991	Walker	A63B 67/06 273/402
3,502,330 A *	3/1970	Cheftel	A63B 5/11 182/140	5,056,796 A *	10/1991	Conville	A63B 67/06 273/402
3,504,914 A *	4/1970	Bradbury	A63B 67/066 273/118 R	5,125,650 A *	6/1992	Paris	A63B 21/00047 482/140
3,508,756 A *	4/1970	Bedford, Jr.	A63B 67/02 473/160	D330,227 S *	10/1992	Franklin	D21/303
3,628,793 A *	12/1971	Mudloff	A63B 67/06 220/324	5,165,695 A *	11/1992	Yoder	A63B 63/00 273/402
3,672,672 A *	6/1972	Rubin	A63B 69/0097 473/435	D333,683 S *	3/1993	Trachet	D21/302
3,706,451 A *	12/1972	Dixon	A63B 63/00 273/383	5,201,527 A *	4/1993	Koket	A63B 71/0036 273/402
3,711,092 A *	1/1973	Hogue	A63B 69/0097 473/435	D340,082 S *	10/1993	DeLapa	D21/303
3,758,116 A *	9/1973	Pieronek	A63B 63/00 273/400	5,320,360 A *	6/1994	St. Pierre	A63F 9/0204 273/402
3,784,199 A *	1/1974	Chmela	F41J 3/0042 273/398	D350,569 S *	9/1994	Boteler	D21/698
3,837,650 A *	9/1974	Haney	A63F 9/001 273/402	5,358,742 A *	10/1994	Ziff	A63B 63/00 264/137
3,892,407 A *	7/1975	Higgins	A63F 9/0208 273/336	D352,326 S *	11/1994	Hsiao	D21/790
3,963,240 A *	6/1976	Tidwell	A63B 63/00 273/381	D354,992 S *	1/1995	Hinsperger	D21/705
3,986,719 A *	10/1976	Lee	A63B 63/00 473/197	D363,953 S *	11/1995	Buse	D21/303
4,012,042 A *	3/1977	Blasingame	A63B 63/08 273/401	5,492,319 A *	2/1996	Lee	A63B 69/3623 473/166
D246,059 S *	10/1977	Malish	D21/303	5,549,302 A *	8/1996	Lapsker	A63B 63/00 473/416
4,066,262 A *	1/1978	Stiefel	A63B 63/08 273/400	5,551,937 A *	9/1996	Kwo	A61H 1/0229 482/144
4,210,326 A *	7/1980	Booth	A63B 63/00 273/127 R	D375,125 S *	10/1996	Mallek	D21/303
4,243,229 A *	1/1981	Huser	A63F 9/0204 273/402	D375,530 S *	11/1996	Rudd	D21/303
4,373,724 A *	2/1983	Shoglow	A63F 7/2472 124/16	5,573,240 A *	11/1996	Humboldt	A63B 63/00 473/454
4,444,178 A *	4/1984	Kuo	A61H 1/0218 482/144	5,772,537 A *	6/1998	Anderson	A63B 69/0097 273/396
4,456,251 A *	6/1984	Balaz	A63B 69/0097 273/395	5,803,841 A *	9/1998	Daskoski	A63B 69/0002 473/454
4,497,485 A *	2/1985	Macosko	A63B 63/00 273/401	5,833,234 A *	11/1998	Vavala	A63B 69/0097 473/434
4,650,189 A *	3/1987	Rajacich	A63B 69/0097 273/395	5,857,679 A *	1/1999	Ringe	A63B 69/0097 273/395
4,717,148 A *	1/1988	Brewer	A61H 1/0218 482/144	5,871,216 A *	2/1999	Sparacino	A63B 63/08 273/402
4,718,668 A *	1/1988	Schipske	A63B 63/00 473/462	D407,575 S *	4/1999	Meoli, Jr.	D6/392
4,762,319 A *	8/1988	Krumholz	A63B 63/08 273/400	D408,462 S *	4/1999	Frycz	D21/303
4,842,284 A *	6/1989	Rushing	A63B 63/00 273/395	5,909,877 A *	6/1999	Bour	A63B 67/06 273/402
4,863,166 A *	9/1989	Becera	A63B 63/00 473/454	5,934,679 A *	8/1999	Strain	A63B 51/04 273/127 C
D303,824 S *	10/1989	Maloney, II	D21/699	6,155,936 A *	12/2000	Dorr	A63B 63/00 124/6
4,883,272 A *	11/1989	Lay	A63B 63/00 473/436	6,192,635 B1 *	2/2001	Zheng	A63B 9/00 135/126
4,932,657 A *	6/1990	Hailer	A63B 63/00 273/410	D442,242 S *	5/2001	Rajacich	D21/705
4,938,485 A *	7/1990	Hockridge	A63F 9/02 273/354	6,244,598 B1 *	6/2001	Conville	A63B 63/00 273/402
4,943,065 A *	7/1990	DeLapa	A63B 67/06 273/402	6,299,554 B1 *	10/2001	Sinclair	A63B 63/00 473/421
4,949,970 A *	8/1990	Culley	A63B 67/02 473/160	6,315,677 B1 *	11/2001	Sandlin	A63B 57/00 473/197
				6,357,750 B1 *	3/2002	Lievens	A63B 69/0097 273/395
				D462,733 S *	9/2002	Smith, IV	D21/780
				6,544,132 B1 *	4/2003	Tvedt	A63B 69/0071 273/402
				6,551,205 B1 *	4/2003	Koelzer, Jr.	A63B 63/00 473/454
				6,575,851 B1 *	6/2003	Lamberti	A63B 24/0084 273/395
				6,769,993 B1 *	8/2004	Lasalandra	A63B 63/00 473/160
				6,773,015 B2 *	8/2004	Long	A63B 43/007 273/343

US D860,325 S

(56)

References Cited

U.S. PATENT DOCUMENTS

6,905,418	B2 *	6/2005	Rhee	A63B 63/00 473/172	2003/0032493	A1 *	2/2003	Lin	A63B 63/00 473/197
6,932,345	B1 *	8/2005	O'Dell	A63B 63/007 273/402	2003/0060309	A1 *	3/2003	Smith, IV	A63B 69/0002 473/431
D509,872	S *	9/2005	Alberti	D21/699	2003/0236139	A1 *	12/2003	Jensen	A63B 69/0002 473/434
6,979,274	B1 *	12/2005	Raber	A63B 63/004 473/471	2004/0140621	A1 *	7/2004	Liao	A63B 69/0097 273/396
7,021,630	B1 *	4/2006	Cho	A63B 63/00 273/401	2004/0178585	A1 *	9/2004	Cosenza	A63B 69/0002 273/454
7,081,073	B1 *	7/2006	Smith	A61H 1/0218 482/143	2005/0023762	A1 *	2/2005	Greiwe	A63B 67/06 273/317
7,103,927	B2 *	9/2006	Holub	A47C 17/70 5/111	2005/0127609	A1 *	6/2005	Raslowsky	A63B 63/007 273/402
7,210,685	B2 *	5/2007	Cheng	A63B 43/005 273/348.4	2006/0119045	A1 *	6/2006	Cho	A63B 69/0097 273/396
D544,041	S *	6/2007	Murphy	D21/303	2006/0125186	A1 *	6/2006	Digges, III	A63B 67/06 273/402
D548,286	S *	8/2007	Taylor	D21/303	2007/0063447	A1 *	3/2007	Gholson	A63B 67/06 273/400
D551,725	S *	9/2007	Teeter	D21/695	2007/0080499	A1 *	4/2007	Greiwe	A63B 67/06 273/398
7,313,835	B1 *	1/2008	Hodges	A47C 17/645 5/111	2007/0090601	A1 *	4/2007	Liao	A63B 69/0002 273/396
D578,166	S *	10/2008	Wiroll	D21/302	2007/0123369	A1 *	5/2007	Cherry	A63B 69/40 473/451
D585,949	S *	2/2009	Gaudin	D21/705	2008/0042360	A1 *	2/2008	Veikley	A63B 67/06 273/398
7,543,821	B2 *	6/2009	Winningham	A63B 63/004 273/396	2008/0048397	A1 *	2/2008	Mancini	A63B 67/06 273/343
7,544,157	B2 *	6/2009	Teeter	A61H 1/0218 482/144	2008/0066236	A1 *	3/2008	Hernandez	A47C 20/027 5/655
7,607,666	B1 *	10/2009	Studier	A63B 63/00 116/222	2008/0157476	A1 *	7/2008	Striebel	A63B 63/00 273/402
D635,197	S *	3/2011	Pryor	D21/303	2009/0091926	A1 *	4/2009	Segretto	A63B 63/08 362/191
D645,520	S *	9/2011	Dahl	D21/303	2009/0115136	A1 *	5/2009	Voden	A63B 21/0053 273/336
D649,601	S *	11/2011	Buchanan	D21/303	2009/0295093	A1 *	12/2009	Kiernan	A63B 63/08 273/317.2
8,128,093	B1 *	3/2012	Gerrish	A63B 67/06 273/343	2010/0058958	A1 *	3/2010	Christian	A47B 3/0912 108/19
8,162,318	B1 *	4/2012	Peterson	A63B 67/06 273/343	2010/0081513	A1 *	4/2010	La Pointe	A63B 63/00 473/197
8,182,372	B2 *	5/2012	Hayes	A63B 63/003 473/438	2010/0164175	A1 *	7/2010	Buchanan	A63B 63/08 273/402
D688,749	S *	8/2013	Pavony	D21/303	2010/0181726	A1 *	7/2010	Bos	A63B 67/06 273/336
8,662,501	B1 *	3/2014	Perales	A63B 63/08 108/44	2010/0317470	A1 *	12/2010	Cea	A63B 43/06 473/570
D706,353	S *	6/2014	Montenare	D21/303	2011/0037226	A1 *	2/2011	Nickles	A63B 43/06 273/343
D706,354	S *	6/2014	Montenare	D21/303	2011/0215528	A1 *	9/2011	Conville	A63B 67/06 273/402
D706,355	S *	6/2014	Montenare	D21/303	2012/0001392	A1 *	1/2012	Ploke	A63F 9/0204 273/402
D707,313	S *	6/2014	Badstuebner	D21/699	2012/0038108	A1 *	2/2012	McLaughlin, Jr.	A63B 63/08 273/402
8,807,569	B1 *	8/2014	Davis	A63B 67/06 273/371	2012/0038109	A1 *	2/2012	Battista	A63F 9/0204 273/402
8,894,504	B1 *	11/2014	Keisler	A63B 69/3676 473/265	2012/0235356	A1 *	9/2012	Weiss	A63F 3/00028 273/398
8,961,339	B2 *	2/2015	Littman	A63B 69/0097 473/435	2013/0026713	A1 *	1/2013	Angel	A63B 67/06 273/398
D726,830	S *	4/2015	Olden	D21/303	2013/0082442	A1 *	4/2013	Hanel	A63B 63/00 273/398
9,011,278	B2 *	4/2015	Lay	A63B 71/022 473/454	2014/0015198	A1 *	1/2014	Francis	A63B 63/00 273/398
D729,319	S *	5/2015	Meissner	D21/303	2014/0091526	A1 *	4/2014	Nally	A63B 63/08 273/402
D741,951	S *	10/2015	Angel	D21/303	2014/0151963	A1 *	6/2014	Bennett	A63B 67/06 273/348
9,192,841	B1 *	11/2015	Montgomery	A63B 69/3623	2015/0054221	A1 *	2/2015	Sandman	A63B 67/06 273/402
D748,198	S *	1/2016	Nally	D21/302	2015/0108719	A1 *	4/2015	Devine	A63B 63/08 273/402
9,381,414	B1 *	7/2016	Gatton	A63B 67/06					
9,573,018	B2 *	2/2017	MacColl	A63B 23/0211					
D781,960	S *	3/2017	Czwalga	D21/303					
D786,401	S *	5/2017	Valladares	D21/302					
D805,591	S *	12/2017	Miller	D21/705					
D806,171	S *	12/2017	Nally	D21/303					
D806,172	S *	12/2017	Wolters	D21/303					
D807,963	S *	1/2018	Zandonella	D21/303					
D807,964	S *	1/2018	Coran	D21/303					
D808,465	S *	1/2018	Wolters	D21/303					
9,950,235	B1 *	4/2018	Williams	A63B 69/38					
D827,031	S *	8/2018	Valladares	D21/303					
D827,078	S *	8/2018	McAuley	D21/790					
10,166,453	B1 *	1/2019	Dickerson	A63B 69/0097					
10,213,670	B2 *	2/2019	Adams	A63B 69/00					
10,226,675	B2 *	3/2019	Wilder	A63B 67/06					

(56)

References Cited

U.S. PATENT DOCUMENTS

2015/0115531	A1 *	4/2015	Ali	A63B 63/00 273/398
2015/0231467	A1 *	8/2015	Sciandra	A63B 67/06 273/402
2015/0265894	A1 *	9/2015	Weber	A63B 67/06 273/400
2016/0008689	A1 *	1/2016	Janeri	A63B 67/06 273/402
2016/0023095	A1 *	1/2016	Nally	A63B 67/06 273/343
2016/0045799	A1 *	2/2016	Gallagher	A63F 9/0208 273/334
2016/0082334	A1 *	3/2016	Olive	A63B 67/06 108/19
2016/0166068	A1 *	6/2016	Holzhauser	A63B 67/06 297/16.1
2017/0095715	A1 *	4/2017	Maginnis	A63B 63/00
2017/0113112	A1 *	4/2017	Voss	A63B 67/06
2017/0138586	A1 *	5/2017	Finch	F21V 33/008
2018/0056155	A1 *	3/2018	McAuley	A63B 63/08

* cited by examiner

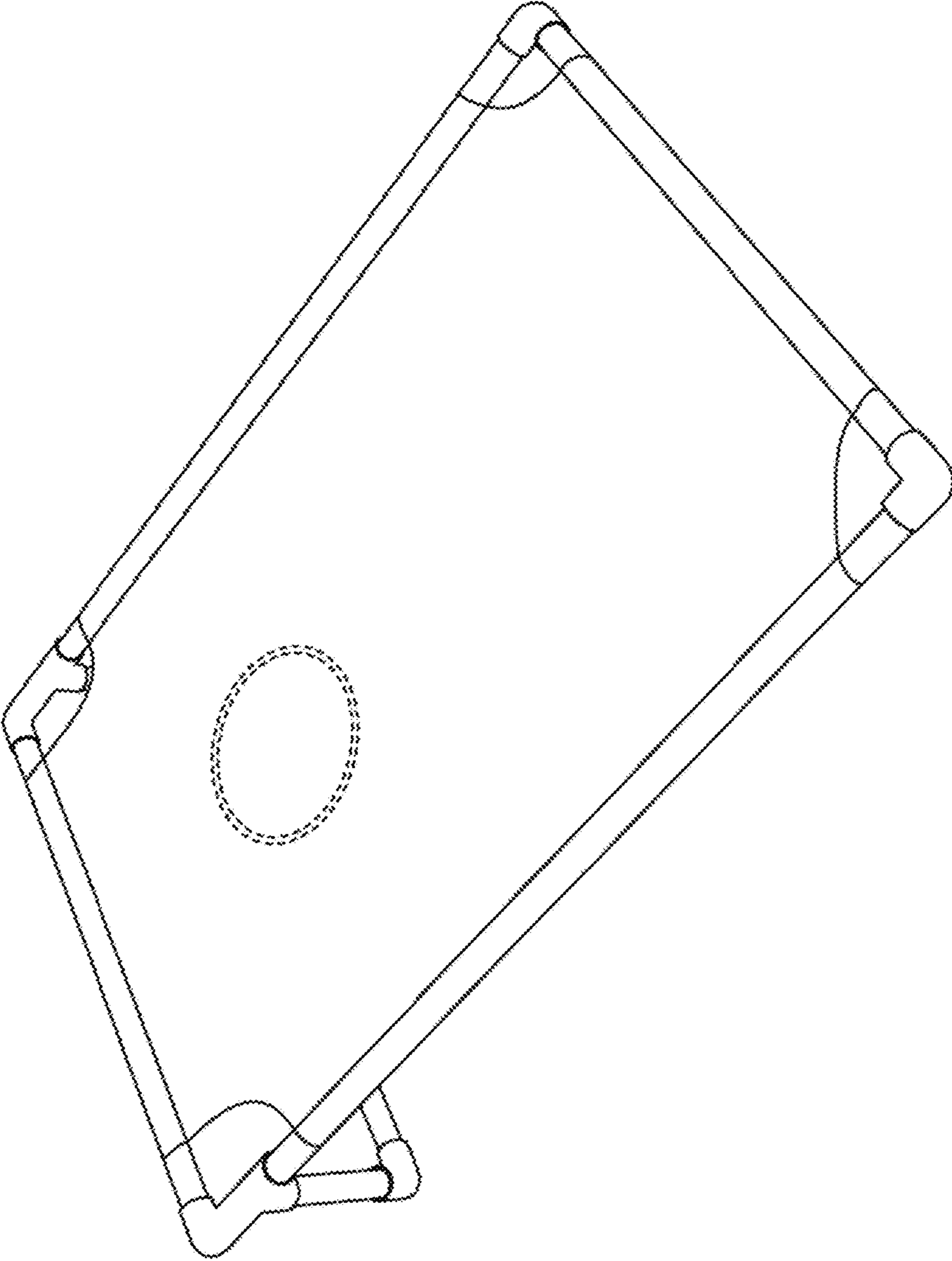


FIG. 1

FIG. 2



FIG. 3

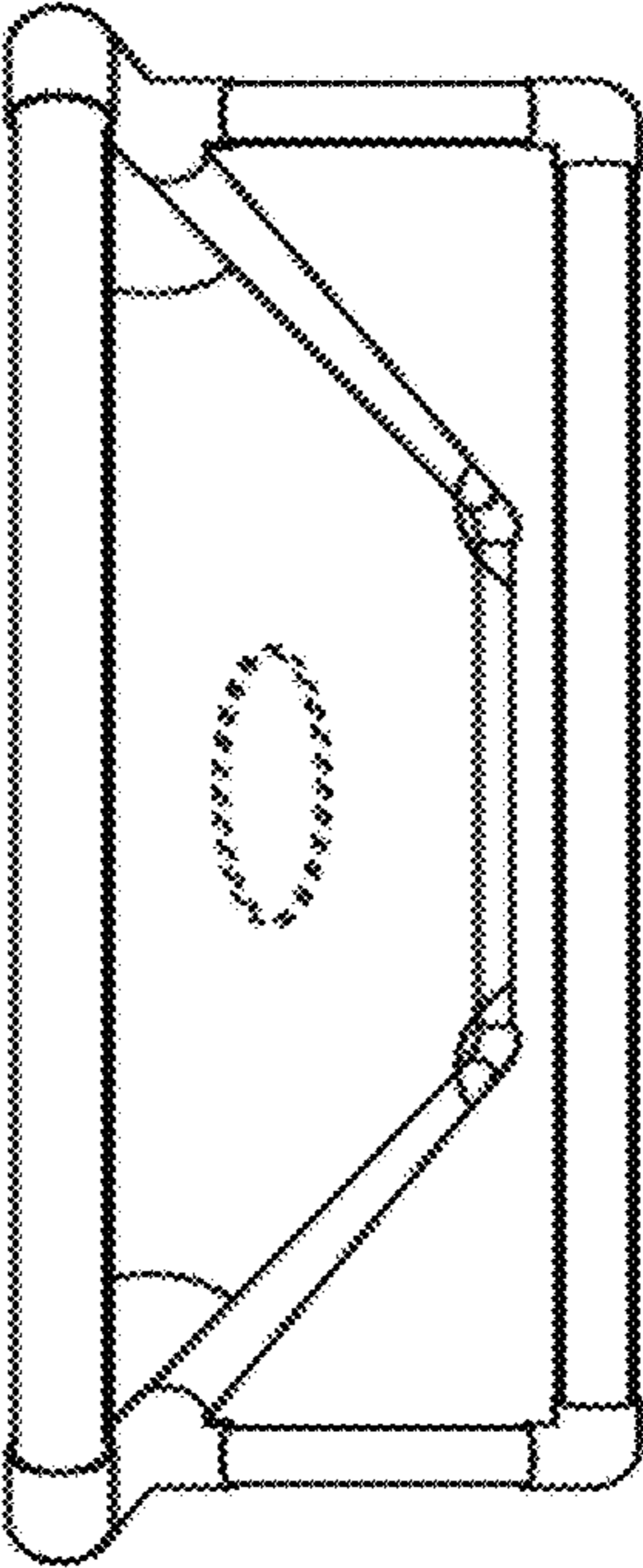


FIG. 4

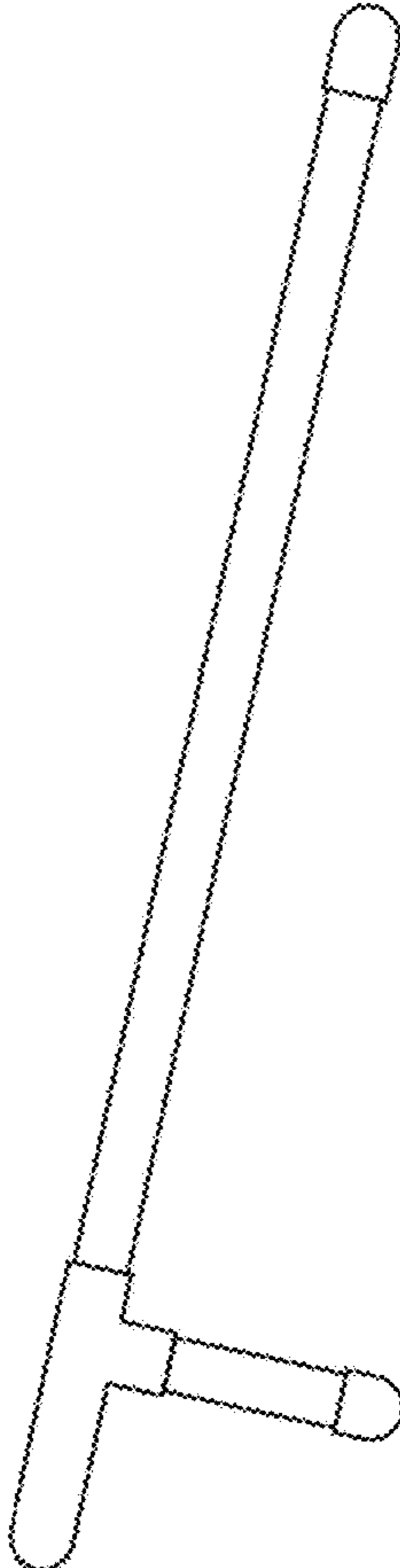
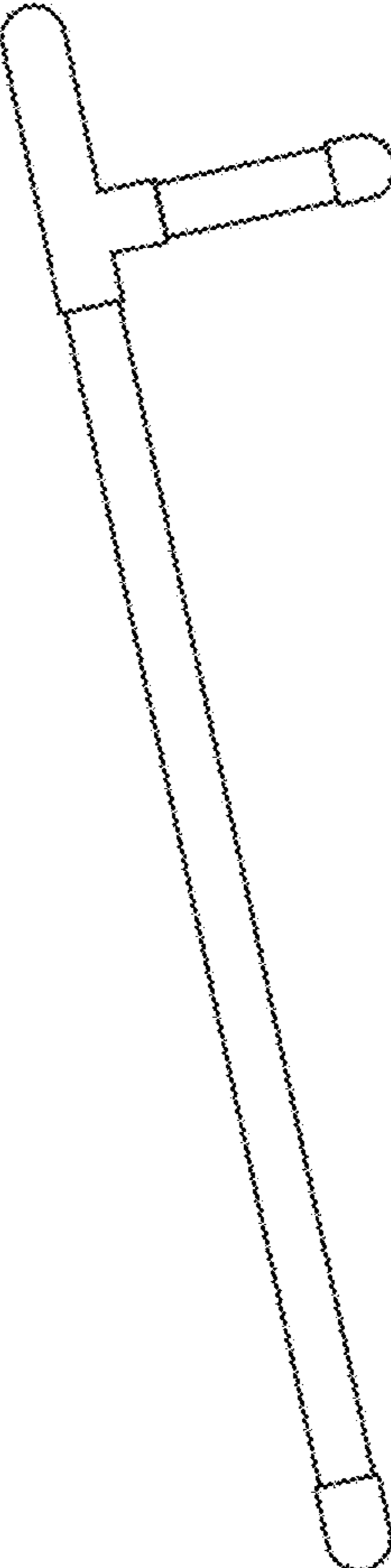


FIG. 5



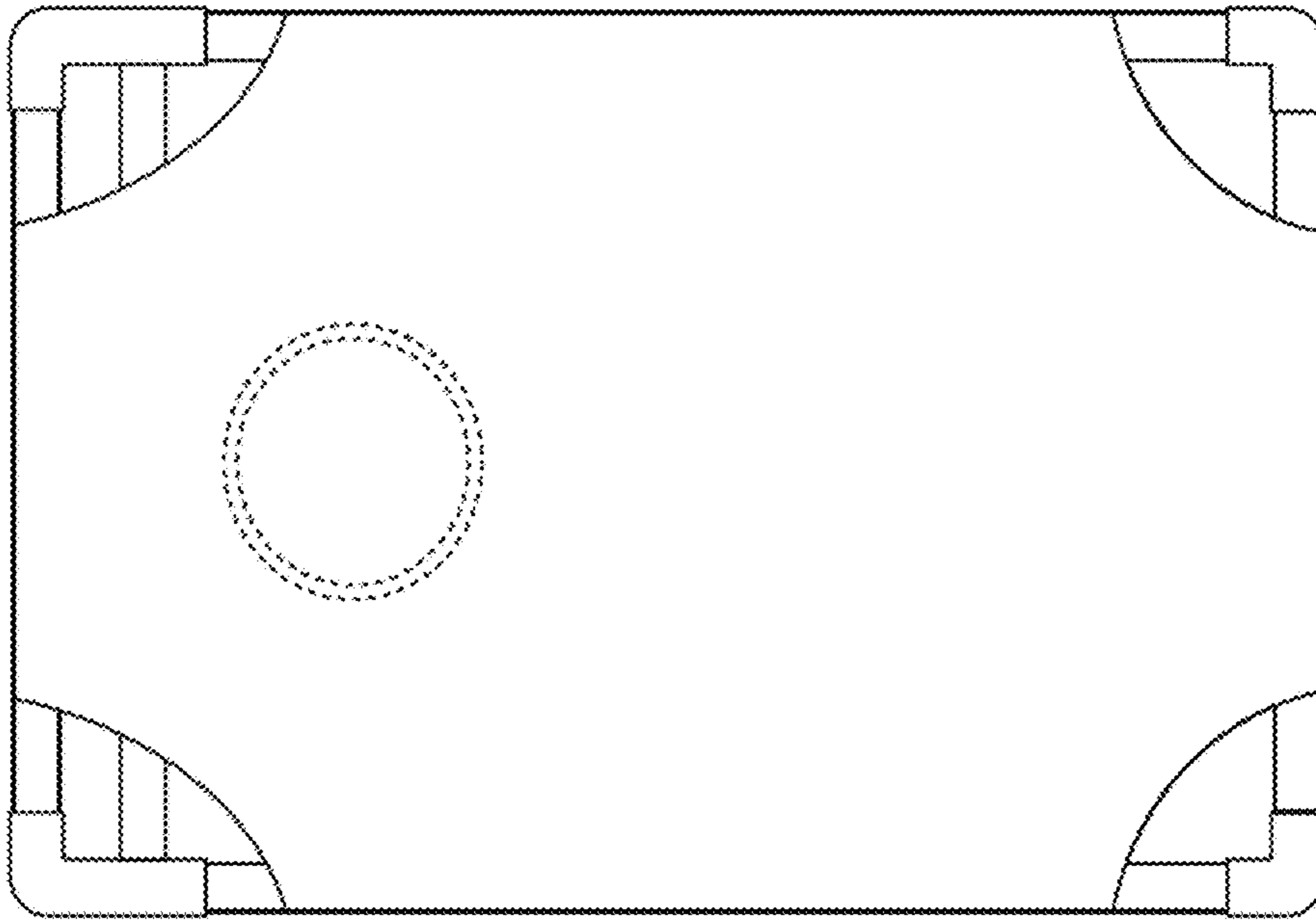


FIG. 6

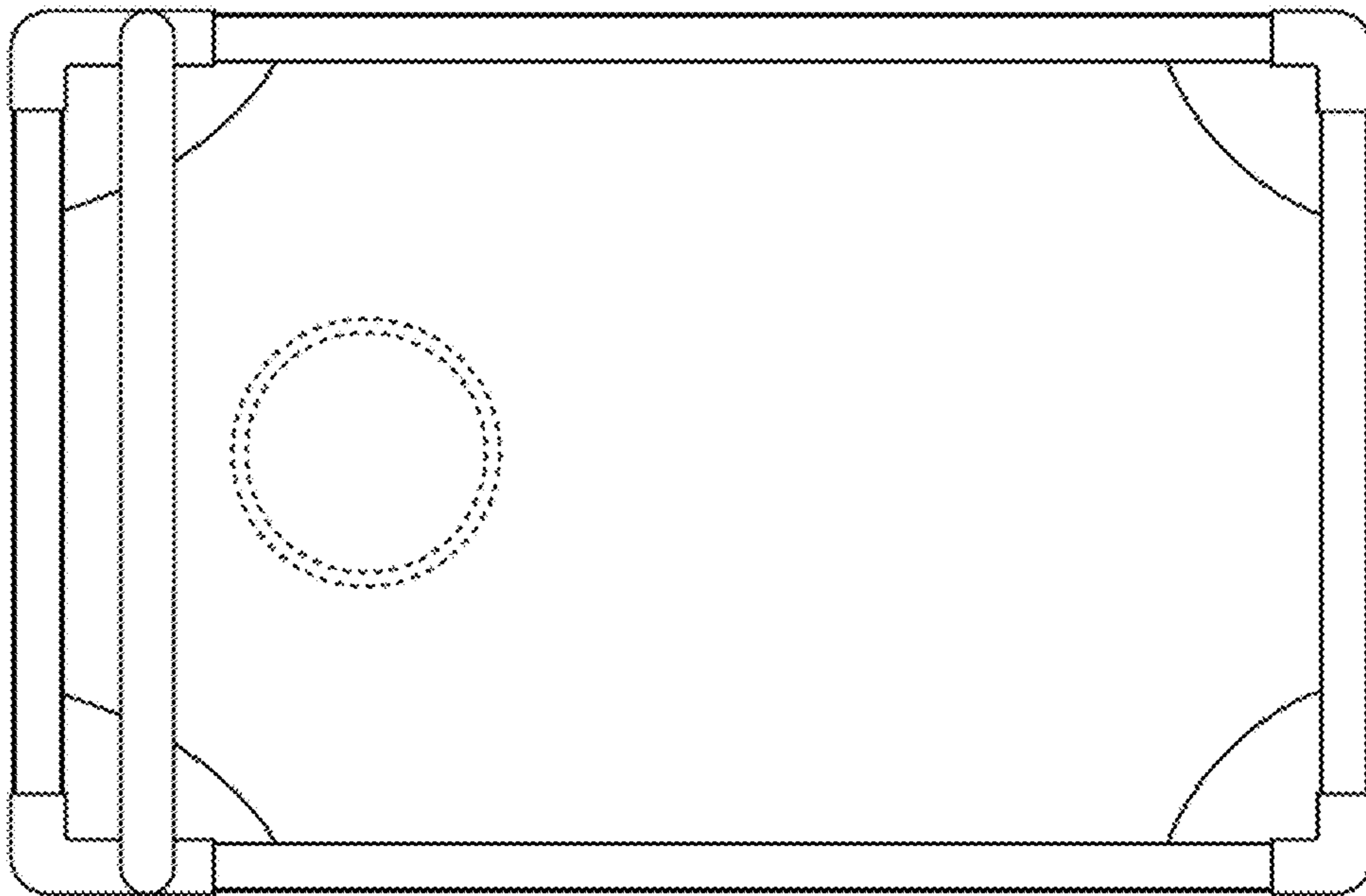


FIG. 7