

(56)

References Cited

U.S. PATENT DOCUMENTS

6,202,334 B1 * 3/2001 Reynolds G09F 7/18
40/608
6,233,858 B1 * 5/2001 Brach, Jr. G09F 3/20
40/606.18
6,241,369 B1 * 6/2001 Mackiewicz F21S 8/033
362/147
6,449,886 B1 * 9/2002 Gray G09F 1/10
281/21.1
D472,277 S * 3/2003 Beghelli D20/42
D474,509 S * 5/2003 Kim D20/42
D478,633 S * 8/2003 Beghelli D20/42
D527,426 S * 8/2006 Mason D20/43
D534,214 S * 12/2006 Marcy D19/113
D549,605 S * 8/2007 Harrell D10/111
7,308,771 B2 * 12/2007 Memelink G09F 3/20
150/147
D609,753 S * 2/2010 Dukes D20/43
D625,363 S * 10/2010 Lee D20/42
D649,599 S * 11/2011 Yi D20/42
D669,938 S * 10/2012 Lard D20/10
D670,766 S * 11/2012 Busch D20/43
D693,409 S * 11/2013 Clark D20/43
8,607,487 B1 * 12/2013 Magness G09F 7/22
206/570
D697,975 S * 1/2014 Yu D20/19
D700,097 S * 2/2014 Hasan D10/114.1
D744,040 S * 11/2015 Schloss G09F 13/18
D20/10
D751,650 S * 3/2016 Landwehr D20/43
D778,365 S * 2/2017 Kott D20/43
D778,366 S * 2/2017 Kott D20/43

* cited by examiner

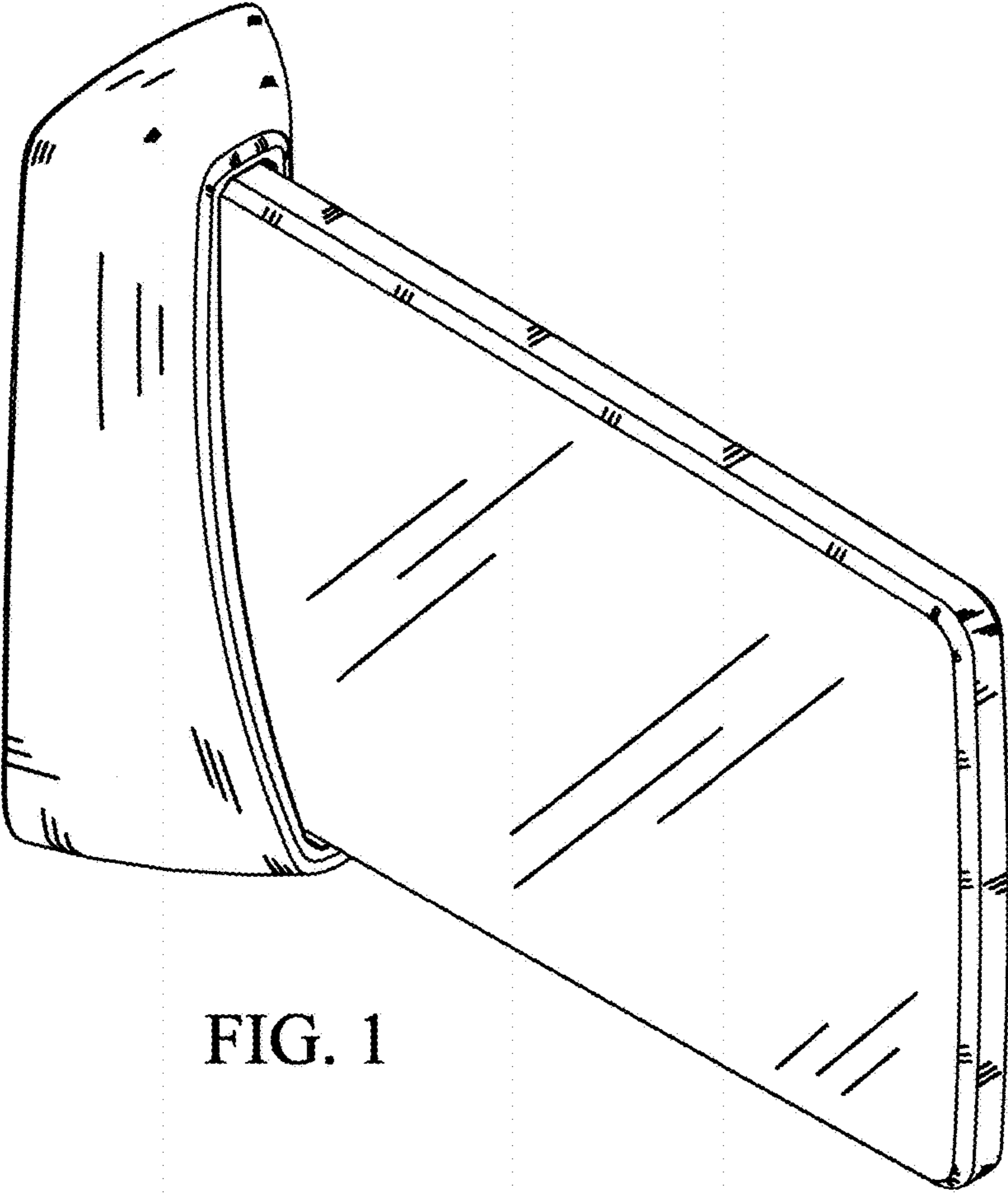


FIG. 1

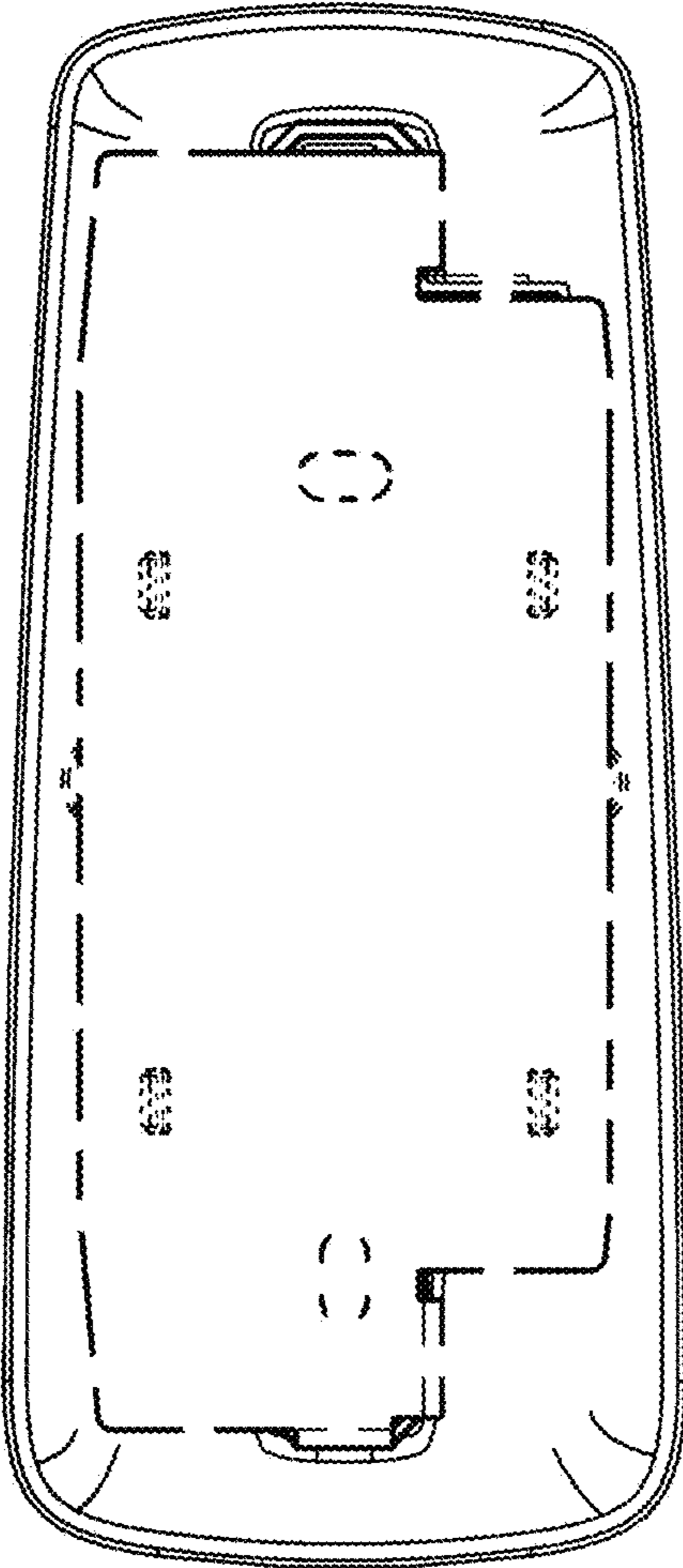


FIG. 2

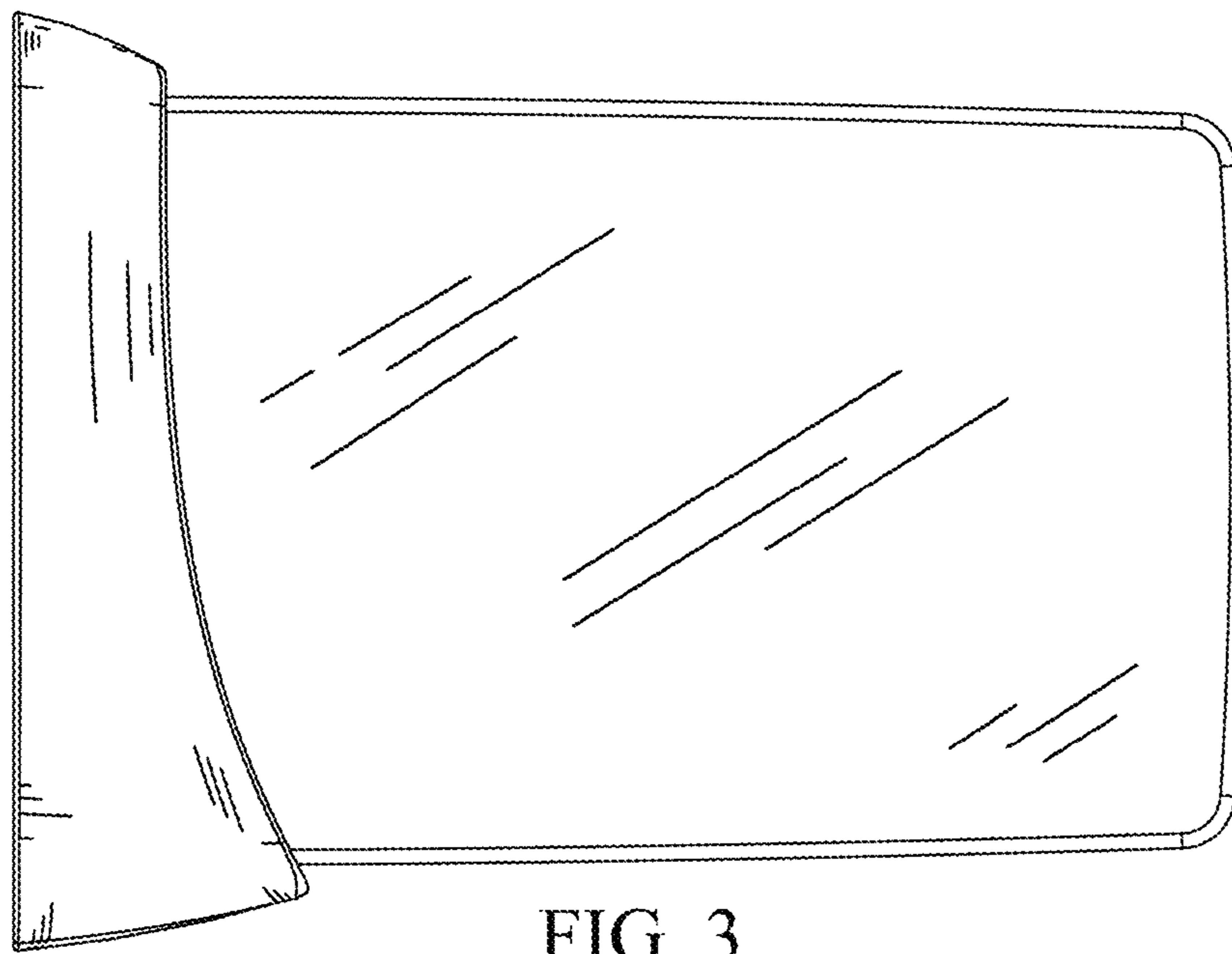


FIG. 3

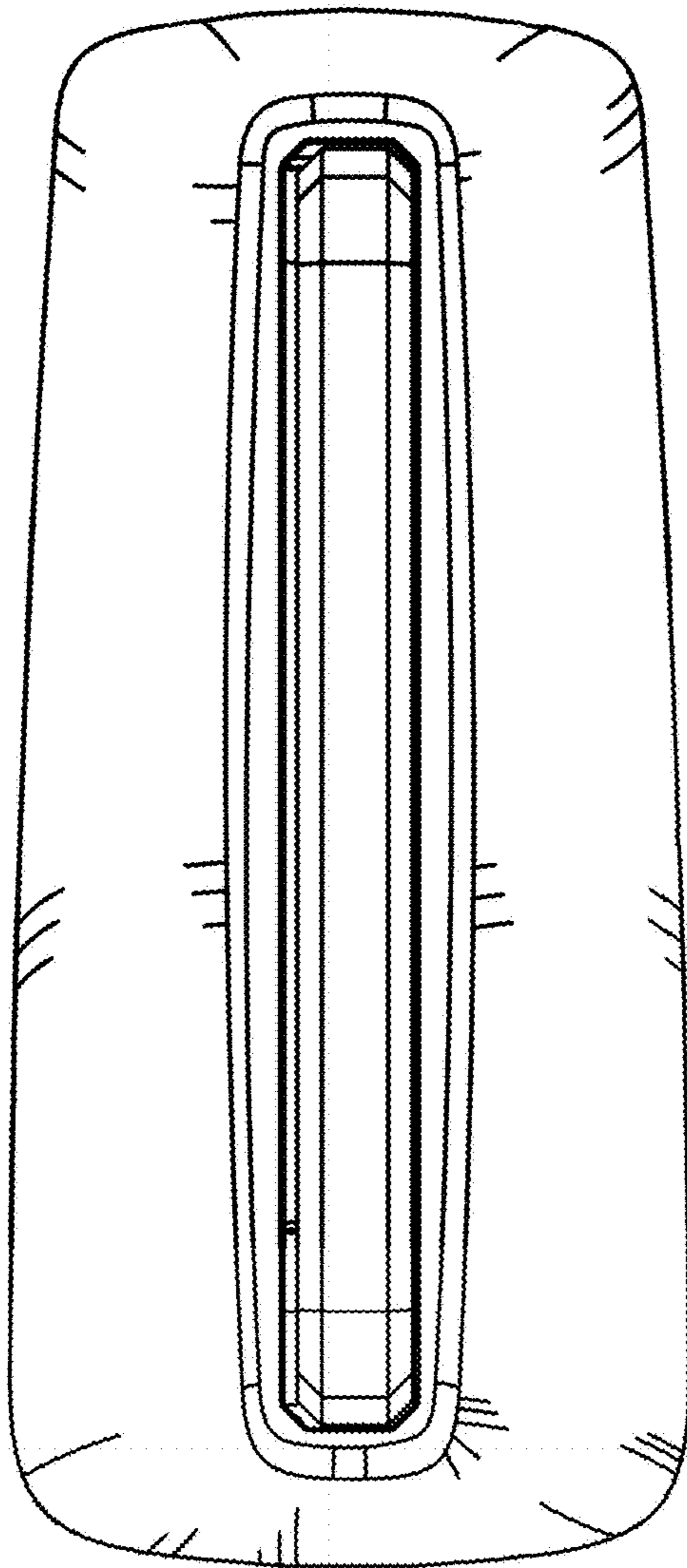


FIG. 4

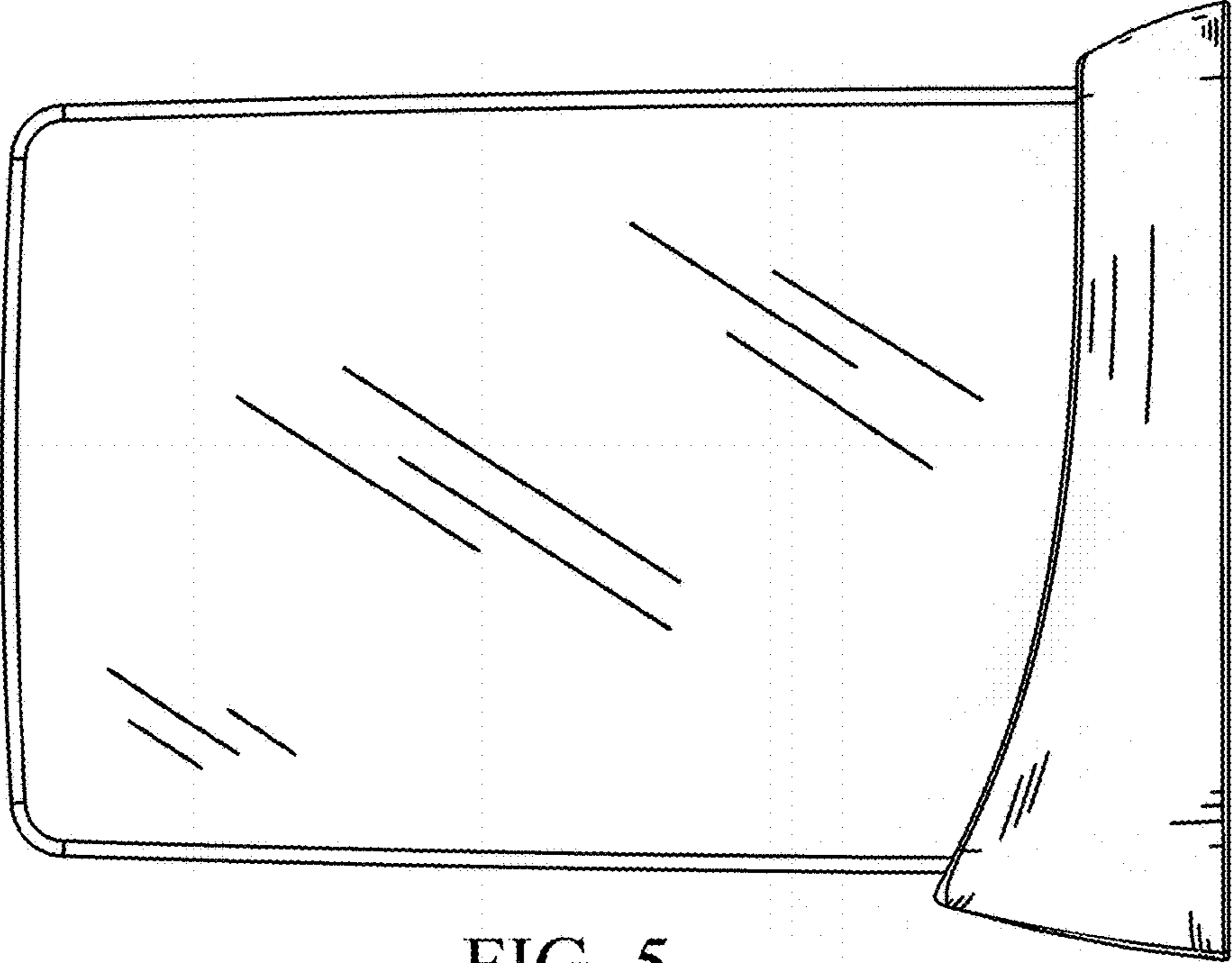


FIG. 5