

US00D860322S

(12) **United States Design Patent** (10) **Patent No.:** **US D860,322 S**
Edwards (45) **Date of Patent:** **** Sep. 17, 2019**

(54) **VIAL LABEL AND VIAL COMBINATION** 3,494,059 A * 2/1970 Minasian G09F 3/10
40/306
(71) Applicant: **National Scientific Company,** 3,702,511 A 11/1972 Miller
Rockwood, TN (US) 4,408,557 A * 10/1983 Bradley G01K 3/04
116/206
(72) Inventor: **David Edwards,** Monona, WI (US) 4,661,188 A * 4/1987 Fumei B65C 9/20
156/229
(73) Assignee: **National Scientific Company,** 4,727,667 A * 3/1988 Ingle G09F 3/0289
Rockwood, TN (US) 40/218
4,856,214 A 8/1989 MacHen
D311,423 S 10/1990 DeSantis
(**) Term: **15 Years** (Continued)

(21) Appl. No.: **29/579,345**
(22) Filed: **Sep. 29, 2016**
Primary Examiner — Mary Ann Calabrese
(74) *Attorney, Agent, or Firm* — Wood Herron & Evans LLP

Related U.S. Application Data

(63) Continuation of application No. 29/495,753, filed on Jul. 3, 2014.

(51) **LOC (12) Cl.** **19-08**

(52) **U.S. Cl.**
USPC **D20/19; D20/27**

(58) **Field of Classification Search**
USPC D20/10, 11, 19, 22-28, 40, 99; D19/1, 2, D19/4, 9, 10; D9/516, 549, 715, 719, D9/772

CPC G09F 1/00; G09F 1/02; G09F 1/06; G09F 1/10; G09F 1/12; G09F 2003/0208; G09F 2003/021; G09F 2003/0211; G09F 2003/023; G09F 2003/0239; G09F 2003/0257; G09F 2003/0264; G09F 2003/0266; G09F 2003/0267; G09F 2003/0272; G09F 2003/0279; D42D 15/00; B65D 1/0246

See application file for complete search history.

(56) **References Cited**

U.S. PATENT DOCUMENTS

2,654,170 A * 10/1953 Nestor G09F 3/02
156/DIG. 8
2,788,041 A 4/1957 Carver

(57) **CLAIM**

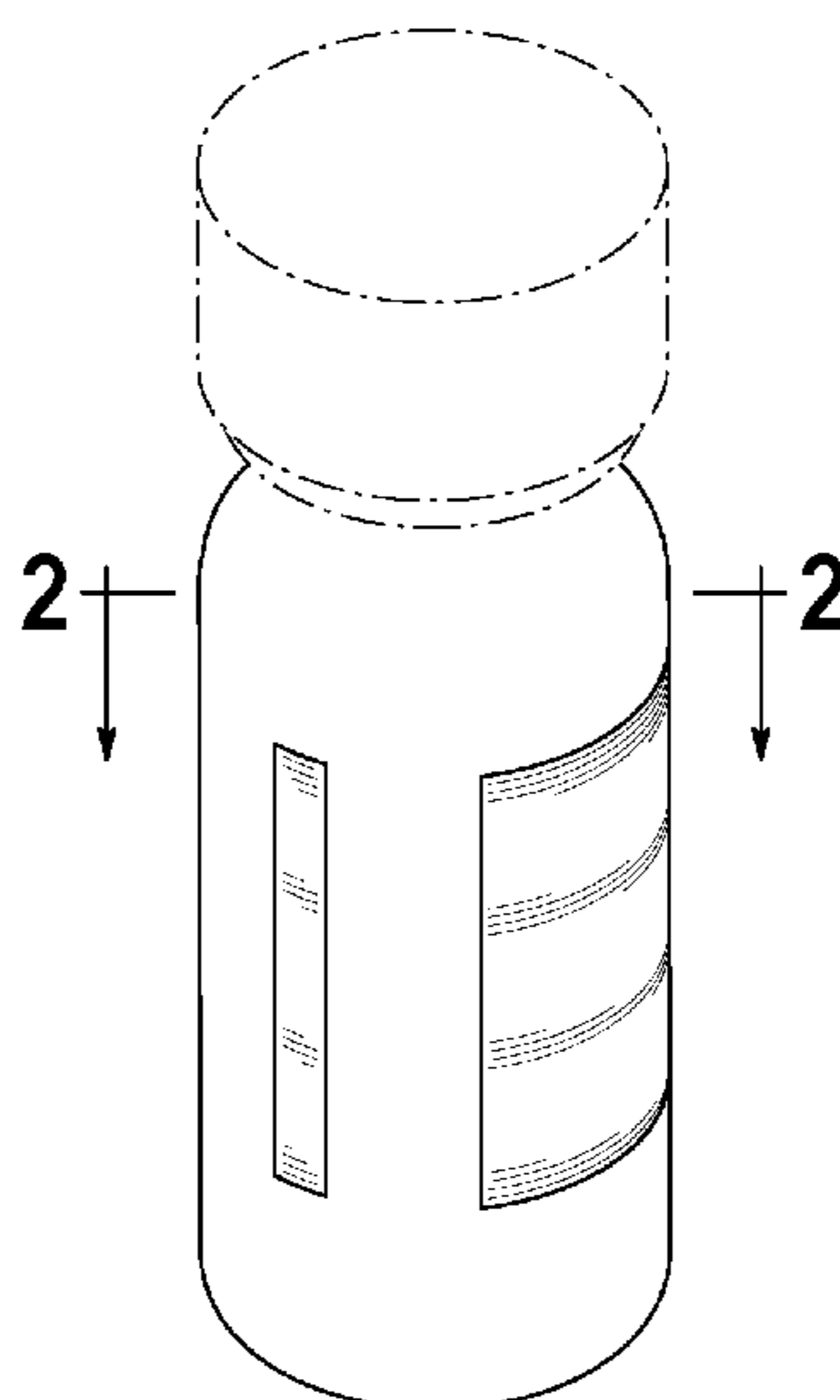
The ornamental design for a vial label and vial combination, as shown and described.

DESCRIPTION

FIG. 1 is an isometric view of a vial label and vial combination of my new design;
FIG. 2 is a cross-sectional view taken along line 2-2 of FIG. 1;
FIG. 3 is a front view of the vial label and vial combination of FIG. 1;
FIG. 4 is a right side view of the vial label and vial combination of FIG. 1;
FIG. 5 is a rear view of the vial label and vial combination of FIG. 1; and,
FIG. 6 is a left side view of the vial label and vial combination of FIG. 1.

The broken dot dash lines shown in FIGS. 1 and 4-6 are intended to denote environmental structure and form no part of the claimed design. The broken dash lines shown in FIG. 2 denote non-claimed portions of the invention. Neither the lines themselves, nor the region within said lines, form any part of the claimed design.

1 Claim, 2 Drawing Sheets



(56)

References Cited

U.S. PATENT DOCUMENTS

5,601,313	A	2/1997	Konkol et al.	
D380,234	S	6/1997	Hipple et al.	
5,686,159	A	11/1997	Langan	
5,802,015	A	9/1998	Rothschild et al.	
5,879,784	A	3/1999	Breen et al.	
5,924,738	A	7/1999	Konkol et al.	
5,979,744	A	11/1999	Brigleb	
6,140,796	A	10/2000	Martin et al.	
6,360,462	B1 *	3/2002	Mengel	G09F 3/0289 40/306
6,637,775	B1 *	10/2003	Bernier	B65D 23/14 283/94
D498,929	S	11/2004	Haynes	
D550,571	S *	9/2007	Diaz	G09F 3/00 D9/719
D582,474	S	12/2008	Phillips et al.	
7,823,726	B1 *	11/2010	Miceli	G09F 3/10 206/459.5
7,861,931	B2	1/2011	Phillips et al.	
2003/0034645	A1 *	2/2003	Dronzek, Jr.	B31D 1/02 283/81
2006/0059736	A1 *	3/2006	Moody	G09F 3/10 40/310
2006/0277269	A1 *	12/2006	Dent	G06F 19/3462 709/217
2009/0090688	A1 *	4/2009	Fruchter	B65D 51/245 215/230
2013/0014412	A1	1/2013	Berman	
2013/0117933	A1	5/2013	Mickle et al.	
2013/0205628	A1 *	8/2013	Nance	G09F 3/00 40/638

* cited by examiner

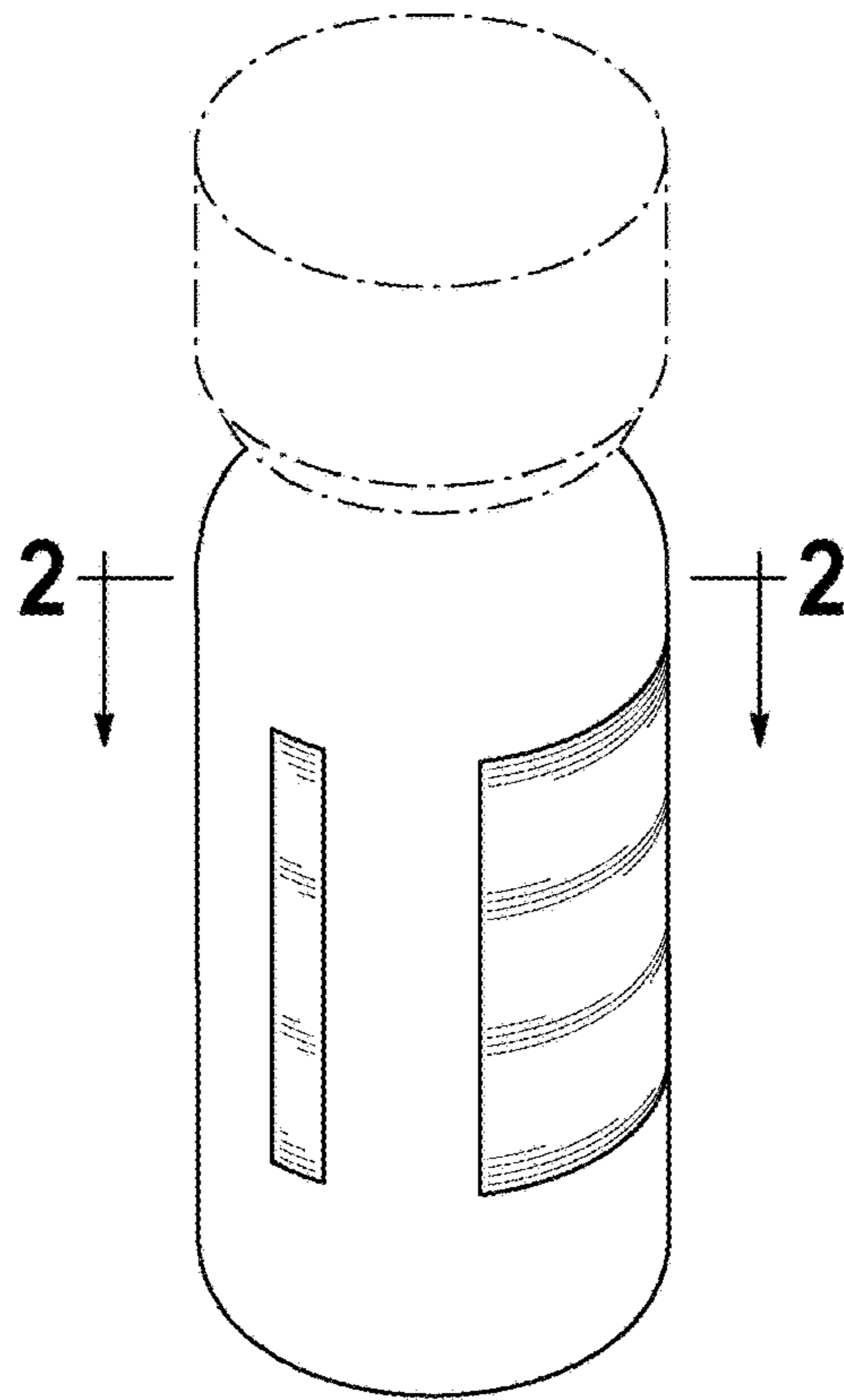


FIG. 1

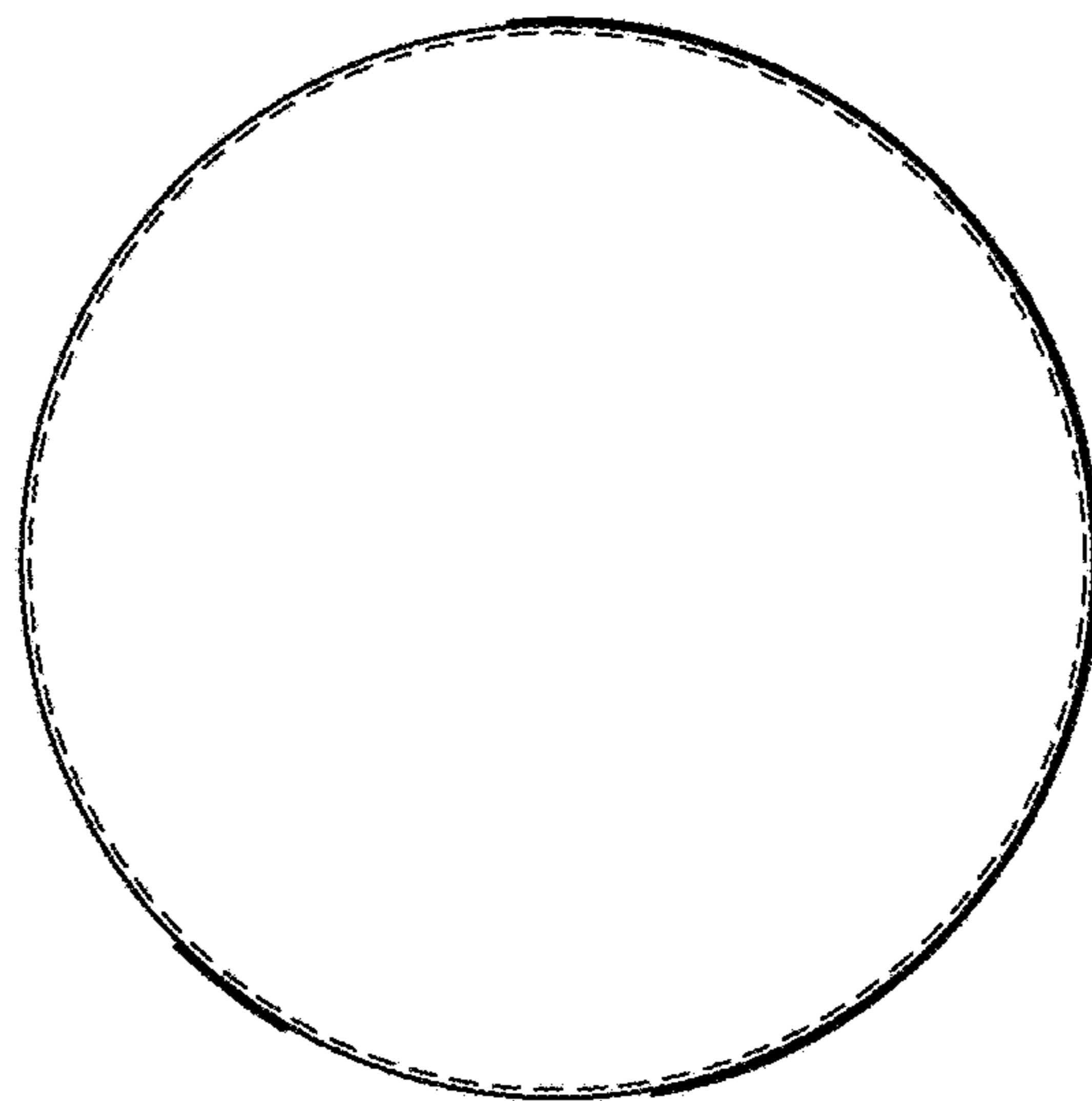


FIG. 2

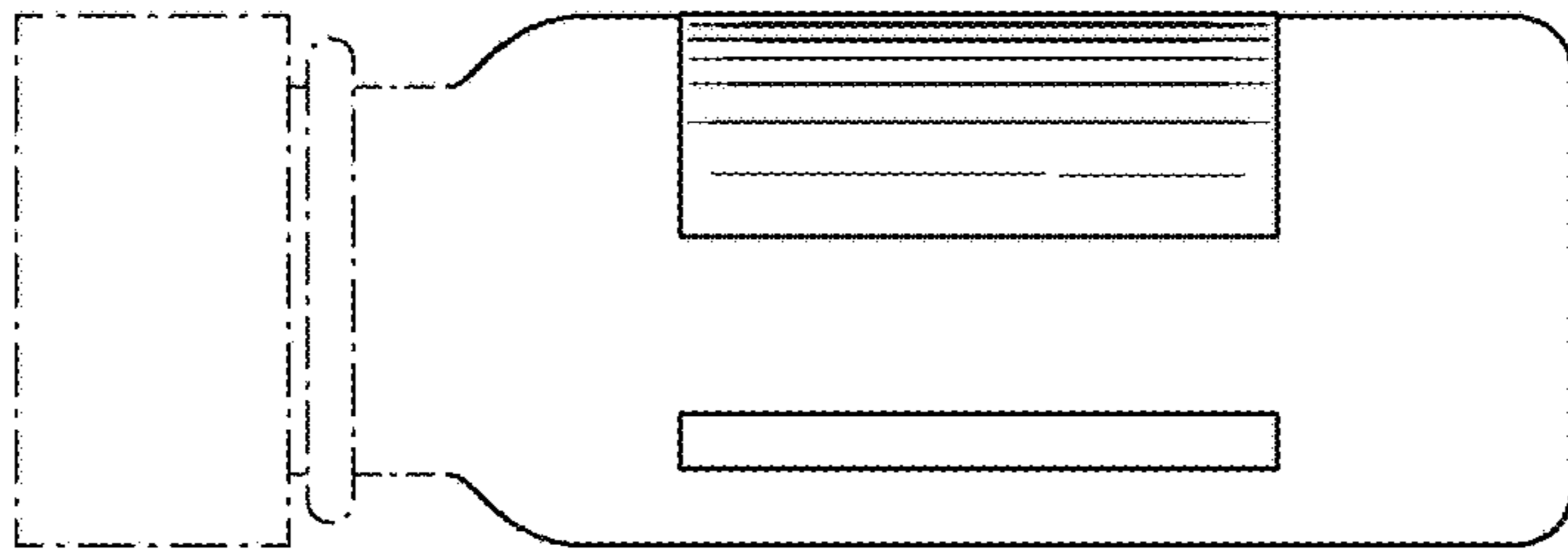


FIG. 3

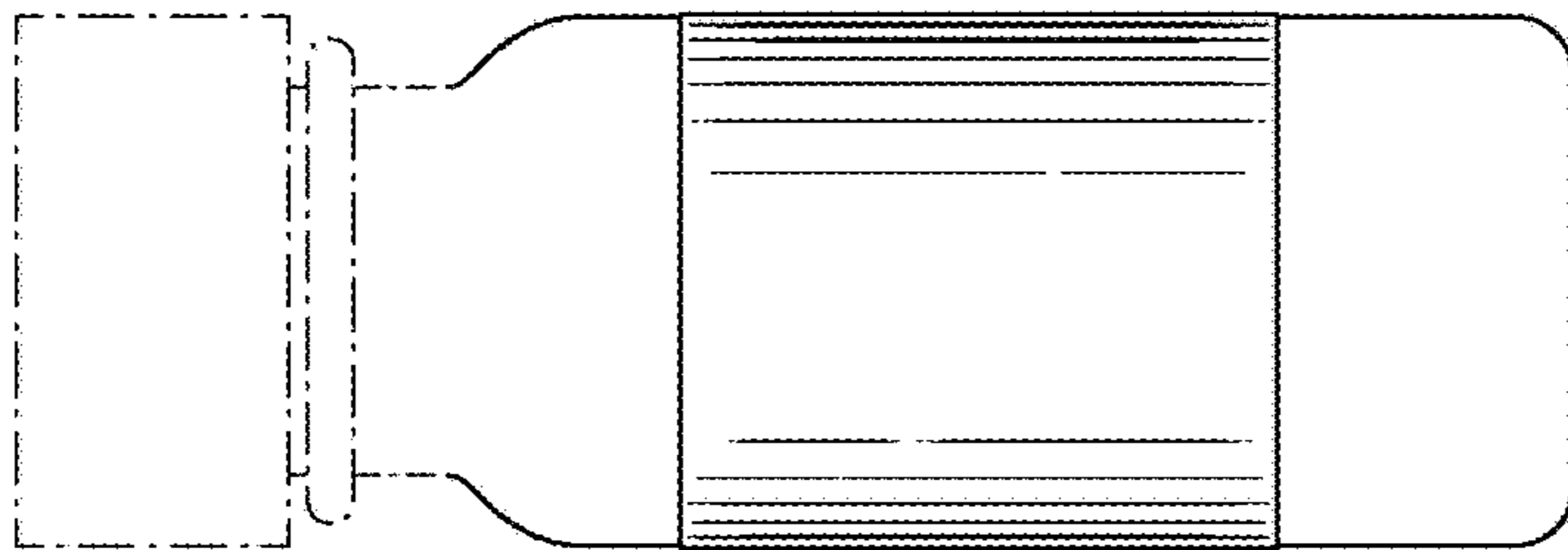


FIG. 4

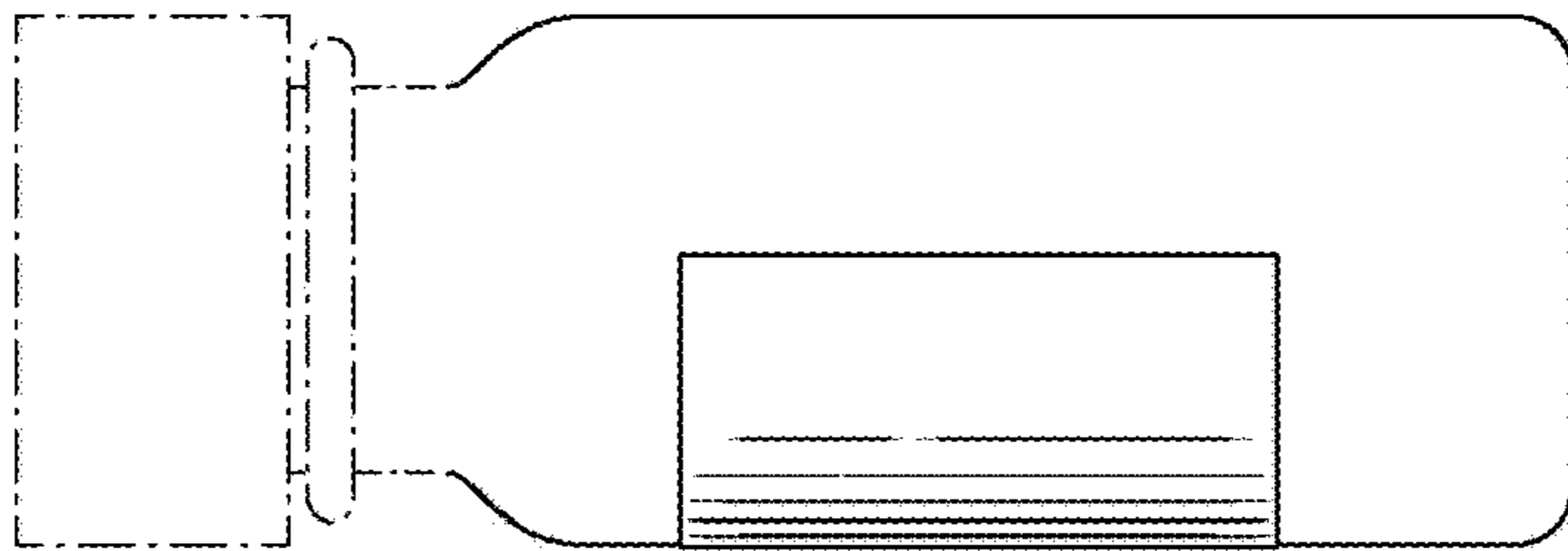


FIG. 5

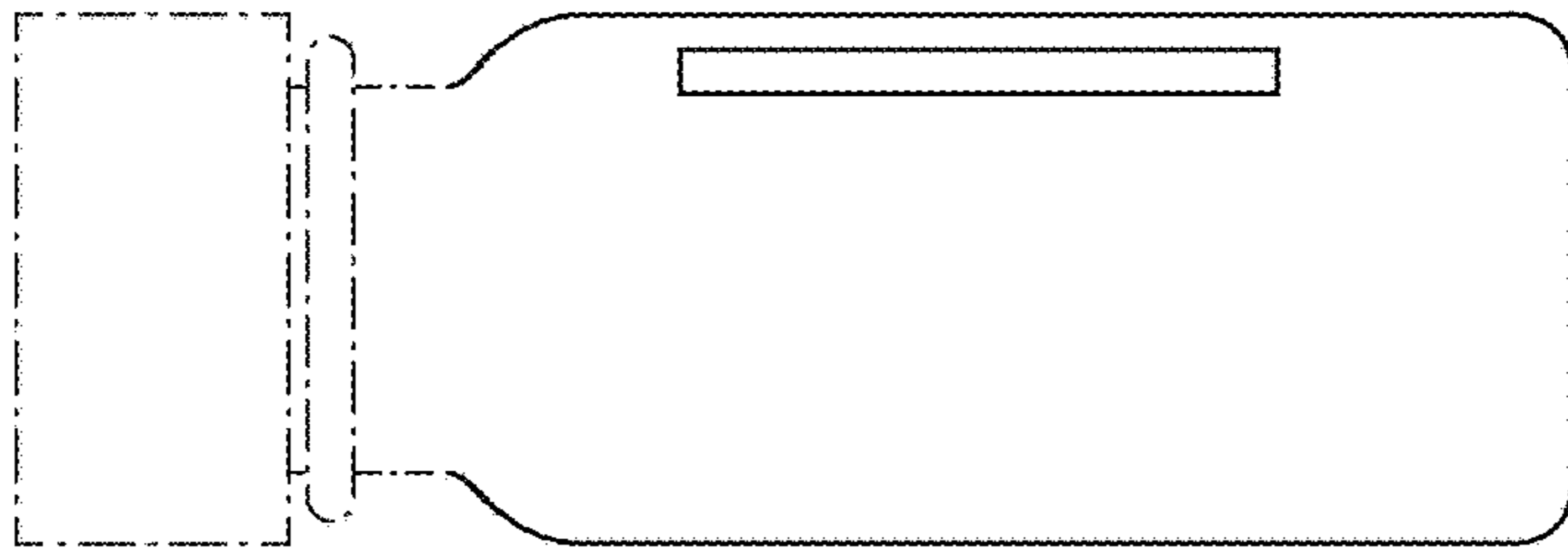


FIG. 6