

US00D860318S

(12) **United States Design Patent**  
**Li et al.**

(10) **Patent No.:** **US D860,318 S**  
(45) **Date of Patent:** **\*\* Sep. 17, 2019**

- (54) **VENDING MACHINE**
- (71) Applicant: **SHENZHEN GENUINE INNOVATIVE TECHNOLOGY CO., LTD.**, Shenzhen (CN)
- (72) Inventors: **Weibo Li**, Hong Kong (HK); **Wenhua Li**, Hong Kong (HK); **Kevin Lai**, Antioch, CA (US)
- (73) Assignee: **Shenzhen Genuine Innovative Technology Co., Ltd.**, Shenzhen (CN)

D647,113 S *	10/2011	Howell	.....	D15/81
8,387,872 B2 *	3/2013	Buffa	.....	G07F 7/00 235/381
D680,156 S *	4/2013	Hernandez	.....	D18/4.4
D692,059 S *	10/2013	Chen	.....	D20/4
D728,026 S *	4/2015	Broen	.....	D20/1
D748,689 S *	2/2016	Girardi	.....	D15/81
D759,757 S *	6/2016	Chen	.....	D20/1
D762,741 S *	8/2016	Galiatsis	.....	D15/81
D830,463 S *	10/2018	Chen	.....	D20/1
D834,091 S *	11/2018	Storz	.....	D20/1
2019/0026242 A1 *	1/2019	Osborne	.....	G06F 13/38

\* cited by examiner

(\*\*) Term: **15 Years**

*Primary Examiner* — Mary Ann Calabrese  
*Assistant Examiner* — Catherine Ho

(21) Appl. No.: **29/629,890**

(22) Filed: **Dec. 17, 2017**

(51) **LOC (12) Cl.** ..... **20-01**

(52) **U.S. Cl.**  
USPC ..... **D20/1**

(58) **Field of Classification Search**  
USPC ..... D20/1-9; D15/79, 81, 89; D99/28  
CPC ..... G06Q 20/18; G07F 7/00; G07F 7/025;  
G07F 7/08; G07F 7/12; G07F 11/00;  
G07F 11/02; G07F 11/62; G07F 11/165;  
G07F 7/069; G07F 17/00; G07F 17/40  
See application file for complete search history.

(56) **References Cited**

U.S. PATENT DOCUMENTS

D442,994 S *	5/2001	Hanyuda	.....	D20/4
D584,359 S *	1/2009	Chinommas	.....	D20/8

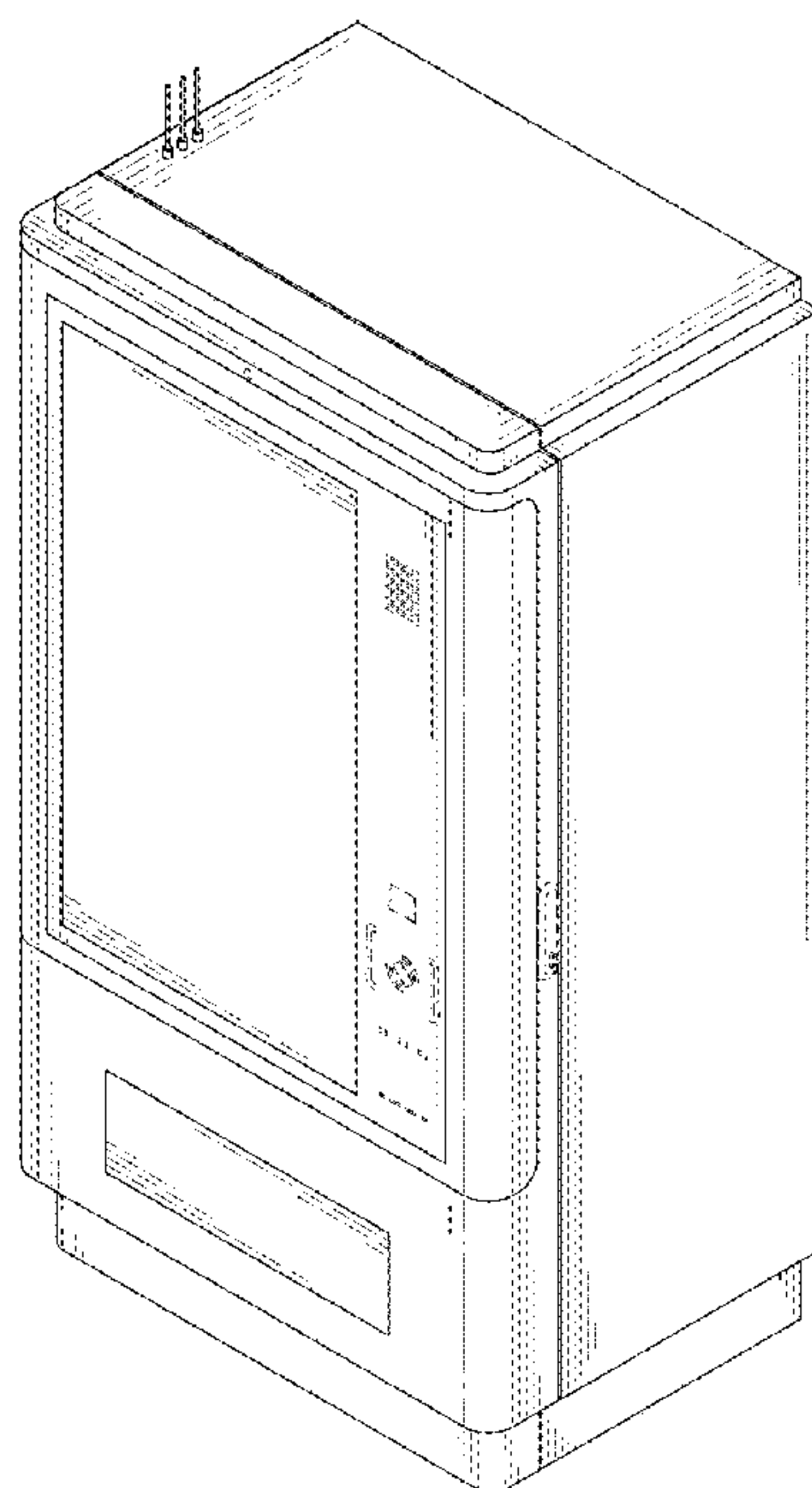
(57) **CLAIM**

The ornamental design for a vending machine, as shown and described.

**DESCRIPTION**

FIG. 1 is a perspective view of a vending machine, showing our new design;  
FIG. 2 is a bottom perspective view thereof;  
FIG. 3 is a front view thereof;  
FIG. 4 is a rear view thereof;  
FIG. 5 is a left side view thereof;  
FIG. 6 is a right side view thereof;  
FIG. 7 is a top view thereof; and,  
FIG. 8 is a bottom view thereof.  
The broken lines in the figures are for environmental purposes only and form no part of the claimed design.

**1 Claim, 8 Drawing Sheets**



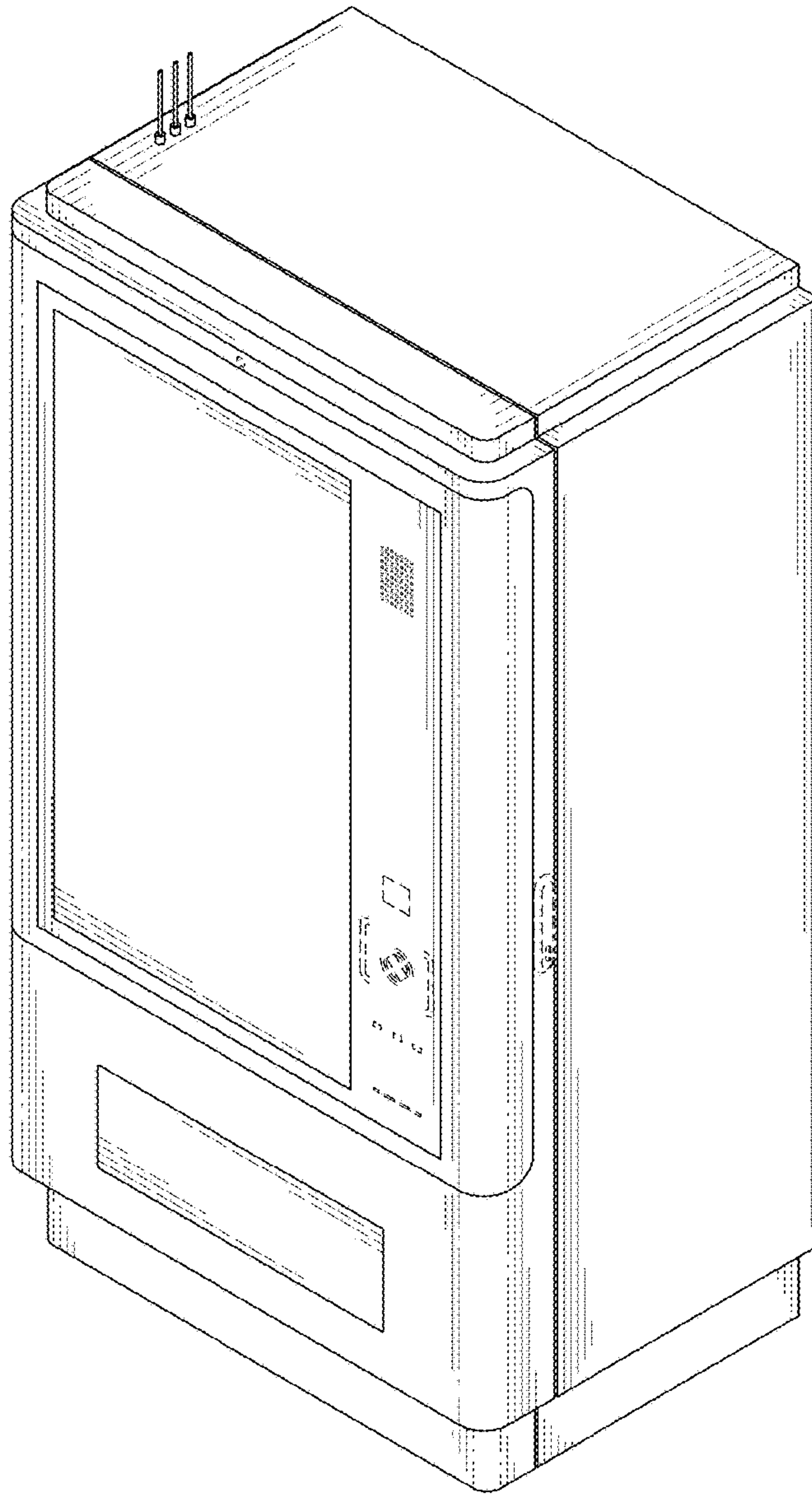


FIG. 1

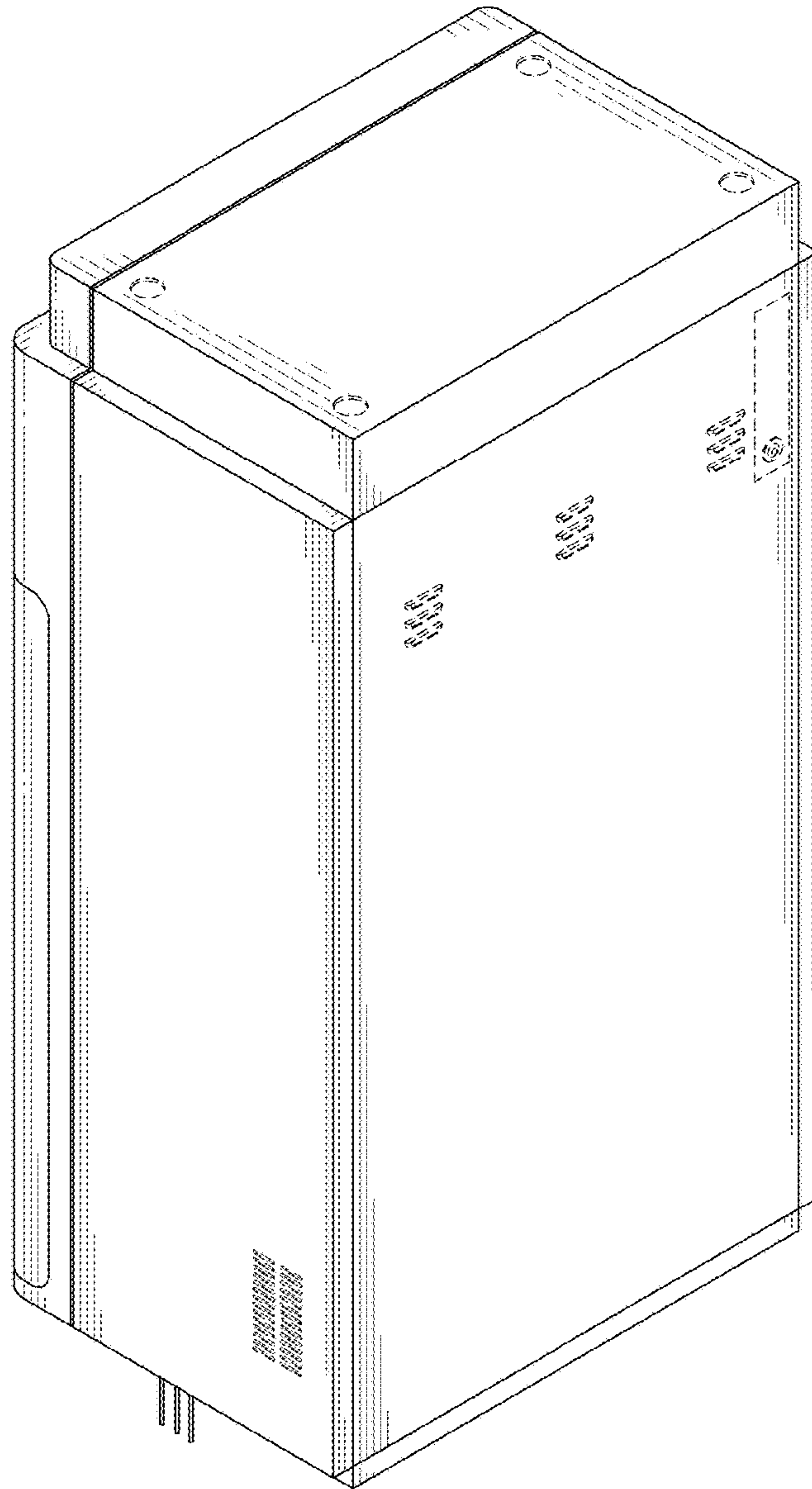


FIG. 2

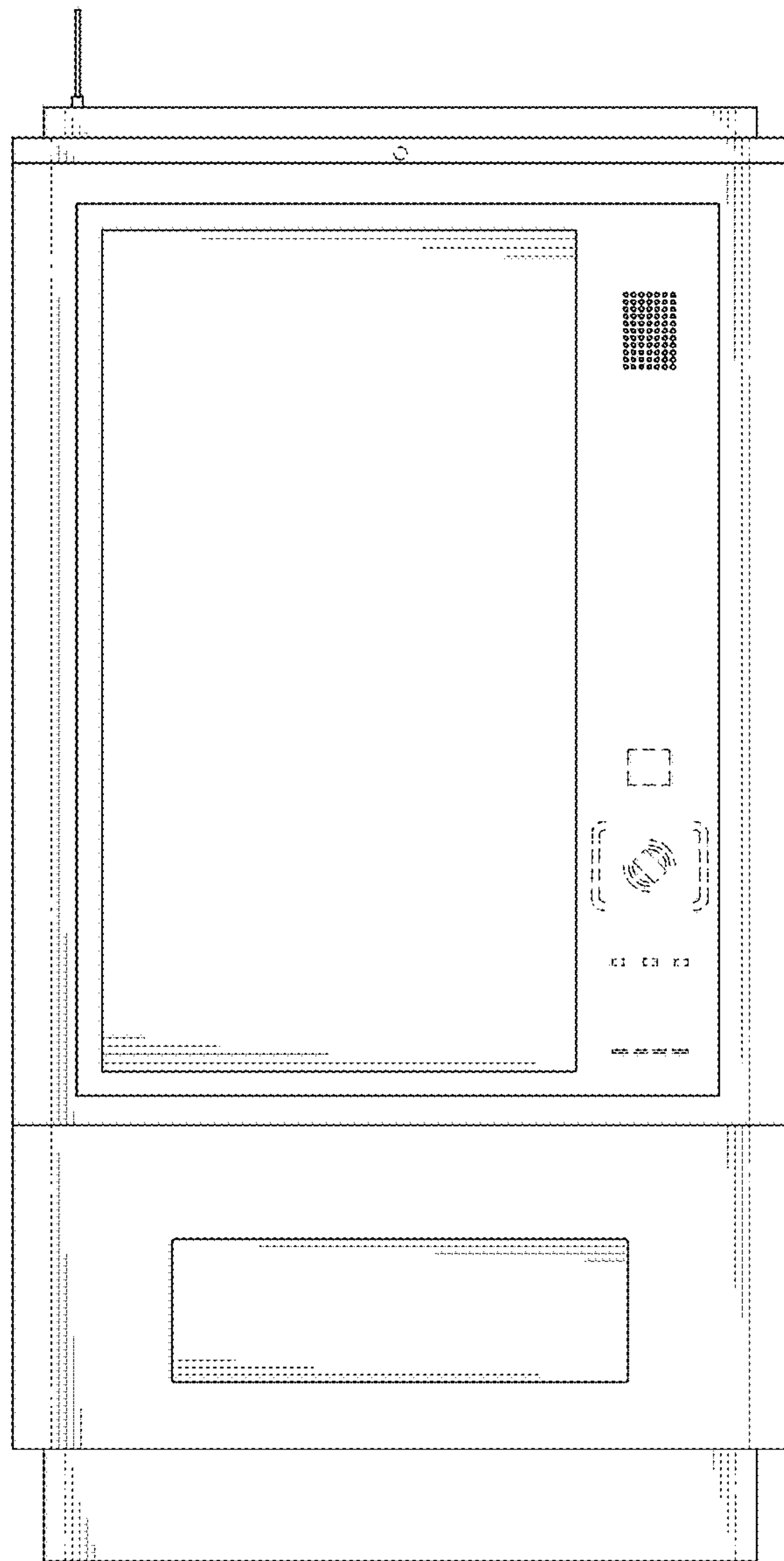


FIG. 3

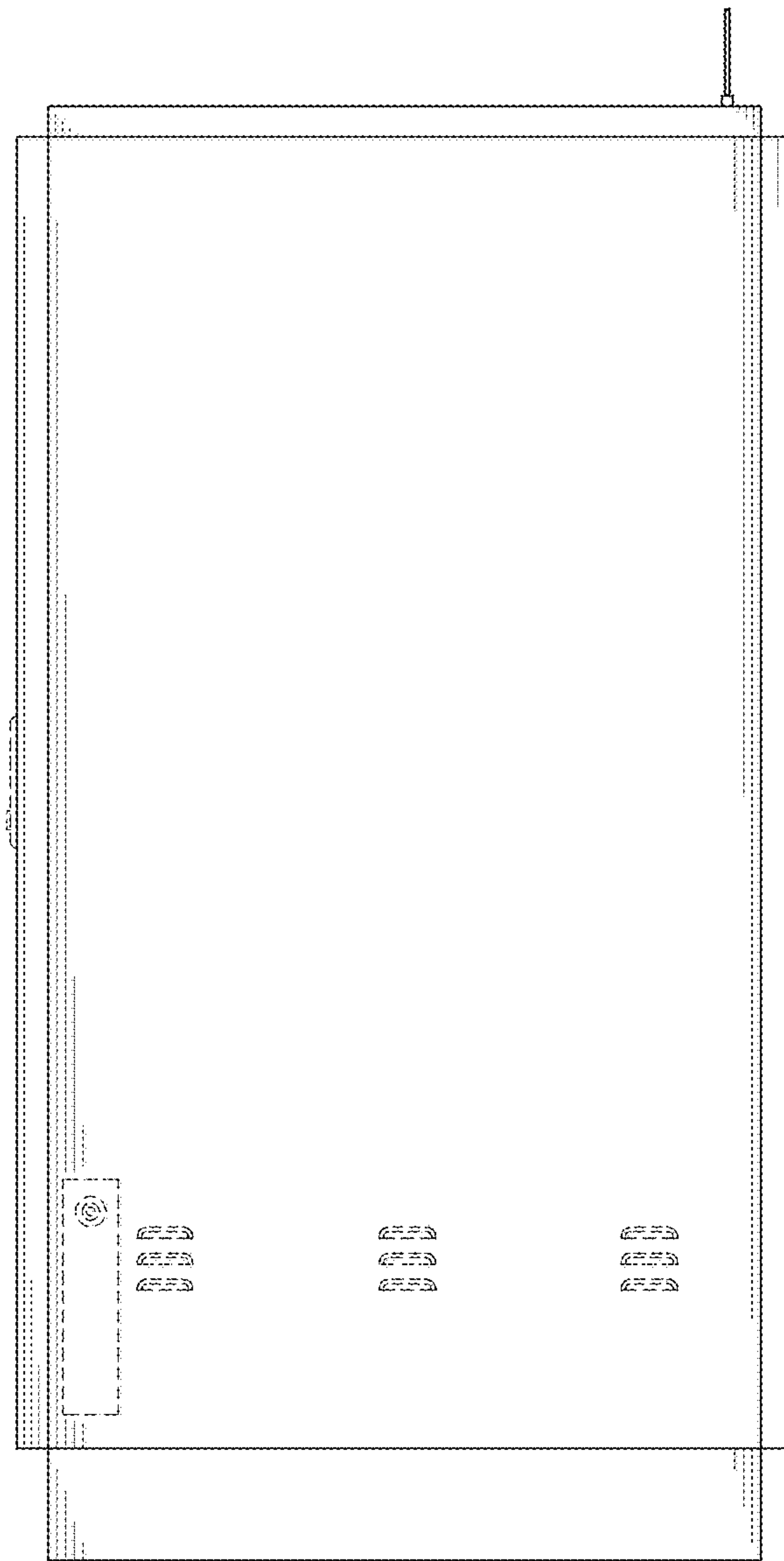


FIG. 4



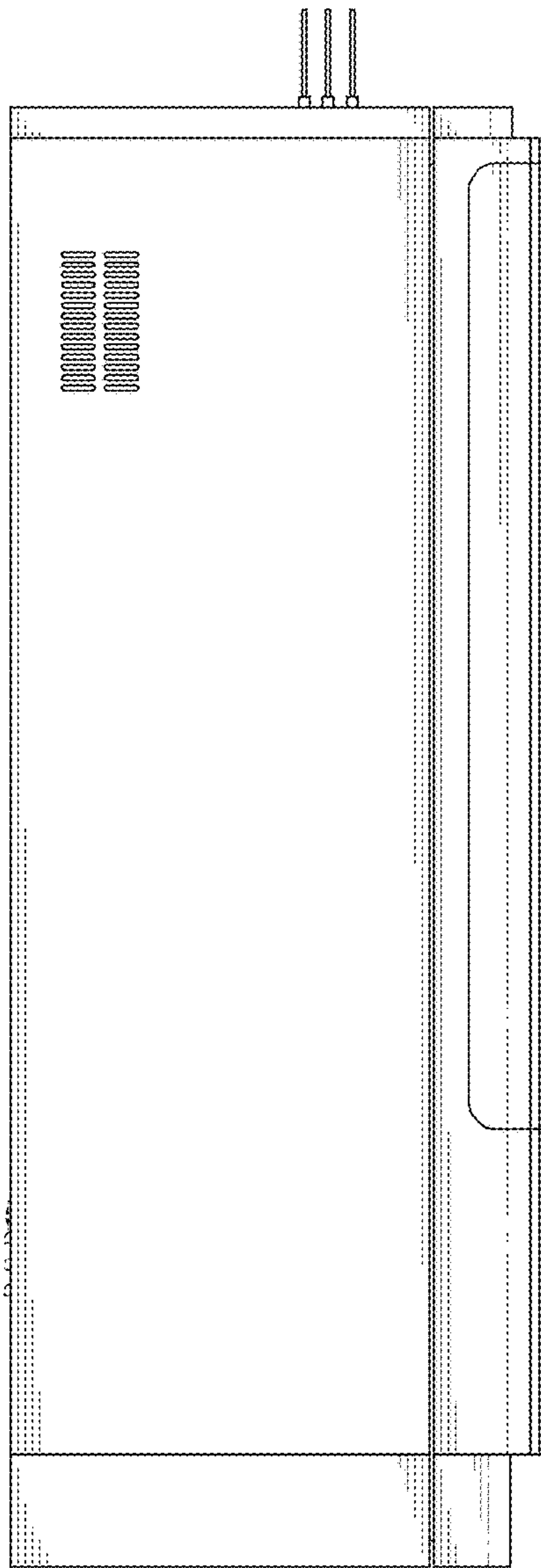


FIG. 5

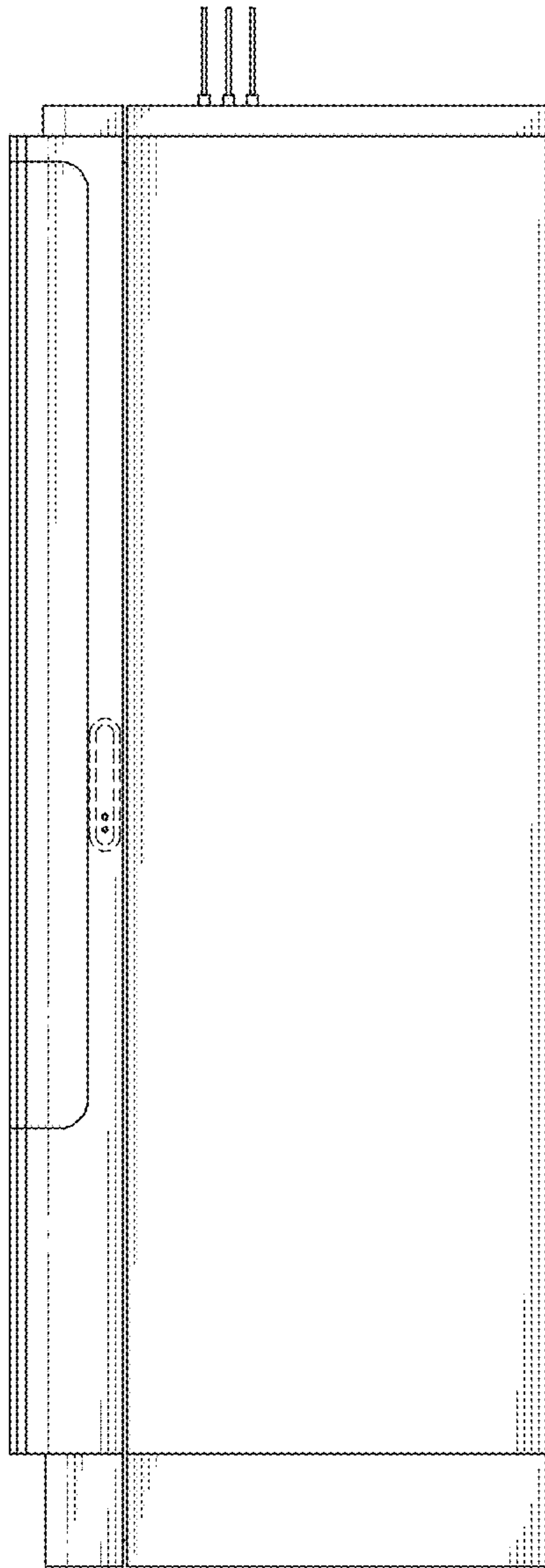


FIG. 6

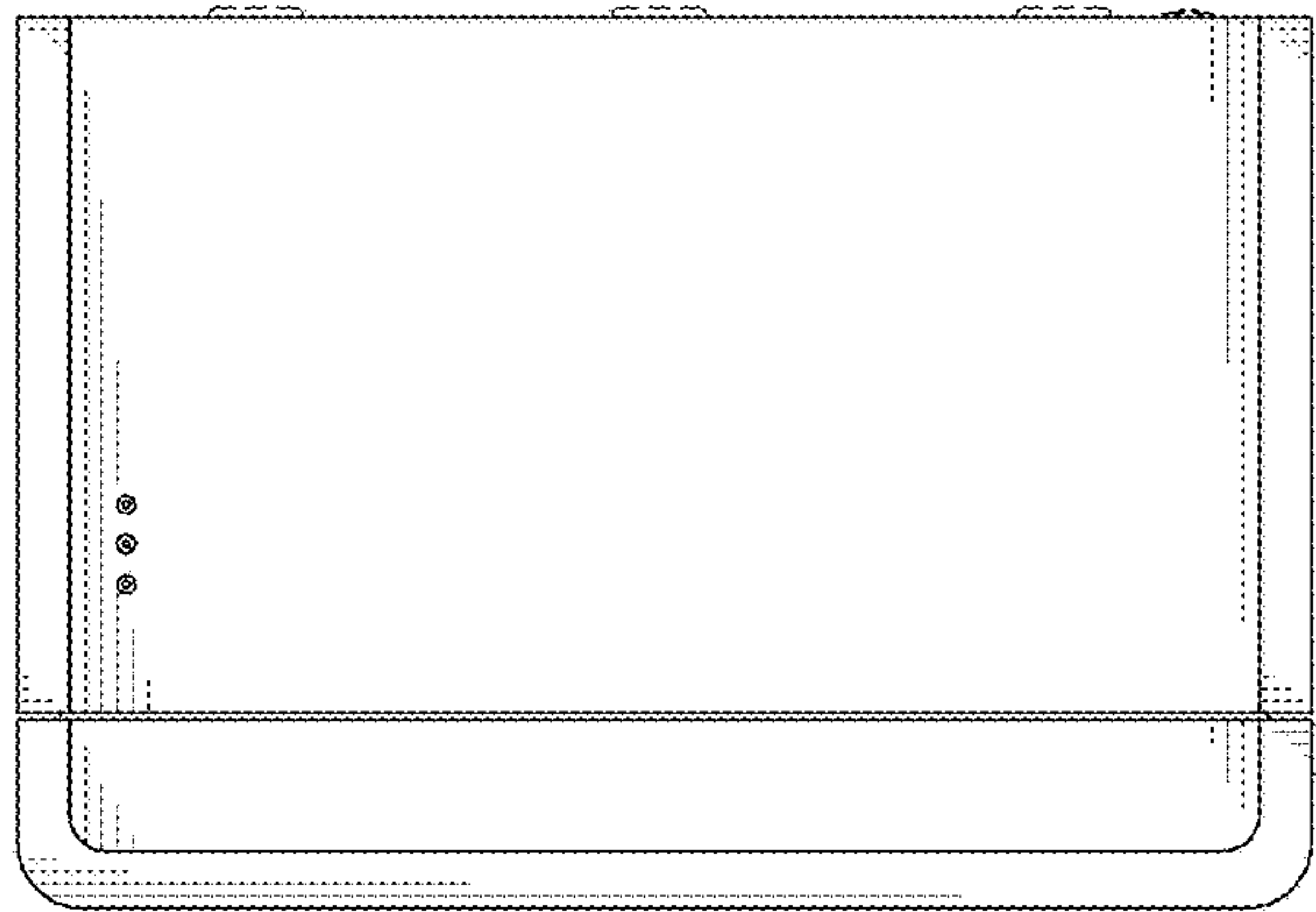


FIG. 7



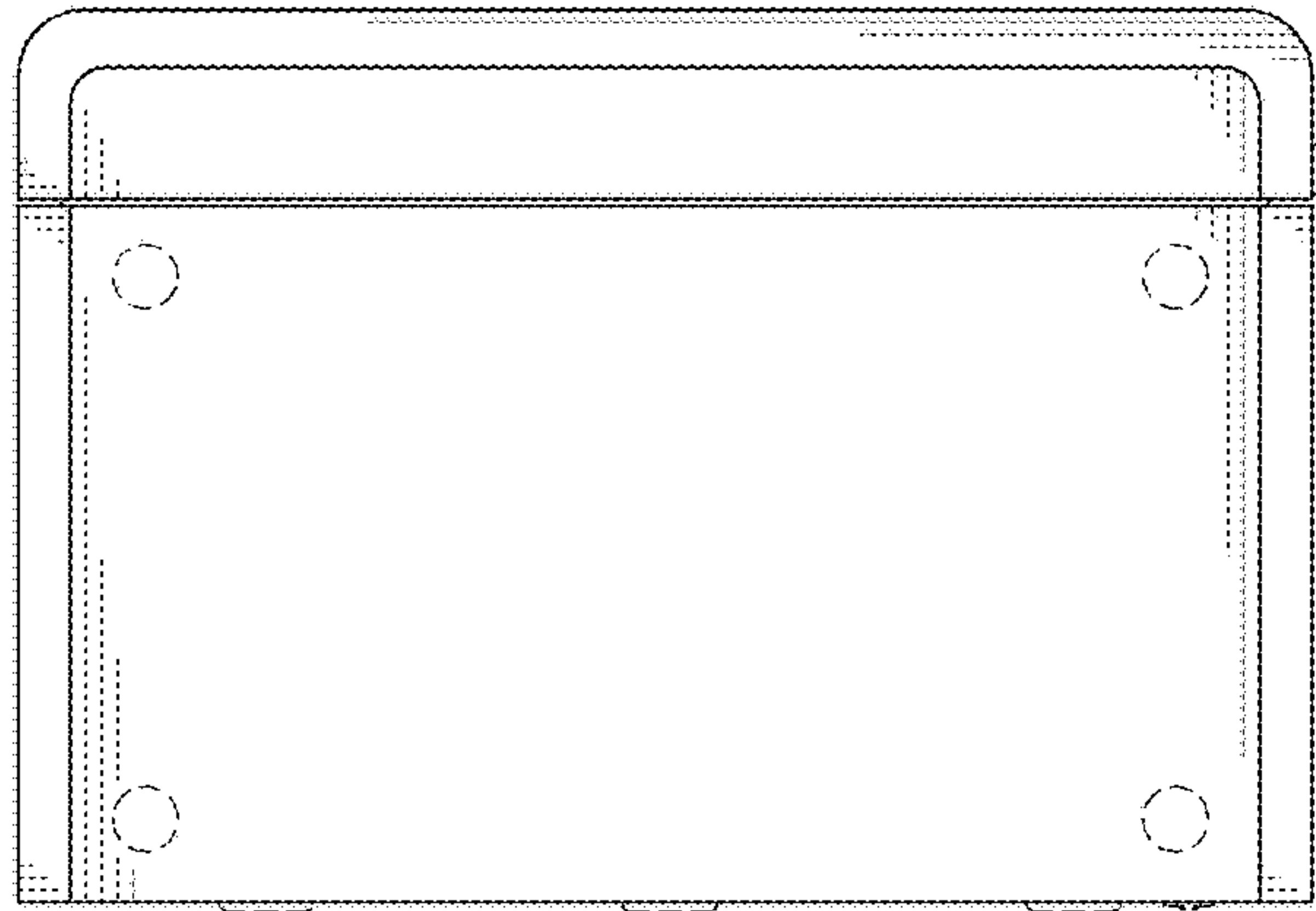


FIG. 8