

US00D860317S

(12) **United States Design Patent** (10) **Patent No.:** **US D860,317 S**
Laemle (45) **Date of Patent:** **** Sep. 17, 2019**

- (54) **PEN**
- (71) Applicant: **David A. Laemle**, Westwood, NJ (US)
- (72) Inventor: **David A. Laemle**, Westwood, NJ (US)
- (73) Assignee: **Davro Products, Inc.**, Westwood, NJ (US)
- (**) Term: **15 Years**
- (21) Appl. No.: **29/628,298**
- (22) Filed: **Dec. 4, 2017**
- (51) **LOC (12) Cl.** **19-06**
- (52) **U.S. Cl.**
USPC **D19/197; D19/199; D19/916**
- (58) **Field of Classification Search**
USPC **D19/115-204; D14/411**
CPC . **B43K 5/005; B43K 7/12; B43K 8/04; B43K 8/06; B43K 19/00; B43K 19/02; B43K 19/14; B43K 21/006; B43K 21/06**
See application file for complete search history.

(56) **References Cited**

U.S. PATENT DOCUMENTS

D303,992 S	*	10/1989	Grotsch	D19/187
D589,557 S	*	3/2009	Kusch	D19/172
D607,512 S	*	1/2010	Qiu	D19/117
D611,535 S	*	3/2010	Shimizu	D19/174
D622,317 S	*	8/2010	Li	D19/172
D624,965 S	*	10/2010	Li	D19/172
D651,241 S	*	12/2011	Liang	D19/172
D651,244 S	*	12/2011	Yuan	D19/172
D651,245 S	*	12/2011	Yuan	D19/172
D652,452 S	*	1/2012	Casciotti	D19/201
D653,705 S	*	2/2012	Pearson	D19/172
D656,193 S	*	3/2012	Yuan	D19/172
D664,197 S	*	7/2012	Casciotti	D19/201
D665,025 S	*	8/2012	Li	D19/172
D667,882 S	*	9/2012	Uchiyama	D19/172

D672,812 S	*	12/2012	Zhang	D19/172
D672,813 S	*	12/2012	Zhang	D19/172
D679,326 S	*	4/2013	Li	D19/172
D690,358 S	*	9/2013	Jin	D19/172
D692,483 S	*	10/2013	Laemle	D19/172
D692,484 S	*	10/2013	Laemle	D19/172
D707,294 S	*	6/2014	Casciotti	D19/199
D716,872 S	*	11/2014	Kim	D19/172
D718,387 S	*	11/2014	Kim	D19/172
D726,825 S	*	4/2015	Casciotti	D19/171
D726,826 S	*	4/2015	Casciotti	D19/199
D735,810 S	*	8/2015	Laemle	D19/172
D746,376 S	*	12/2015	Fleming	D19/192
D763,961 S	*	8/2016	Zhang	D19/172
D763,963 S	*	8/2016	Zhang	D19/174
D771,190 S	*	11/2016	Laemle	D19/197
D777,257 S	*	1/2017	Fleming	D19/196
D797,192 S	*	9/2017	Casciotti	D19/199
D815,205 S	*	4/2018	Laemle	D19/199

(Continued)

Primary Examiner — Elizabeth A. Albert
(74) *Attorney, Agent, or Firm* — St. Onge Steward Johnson & Reens, LLC

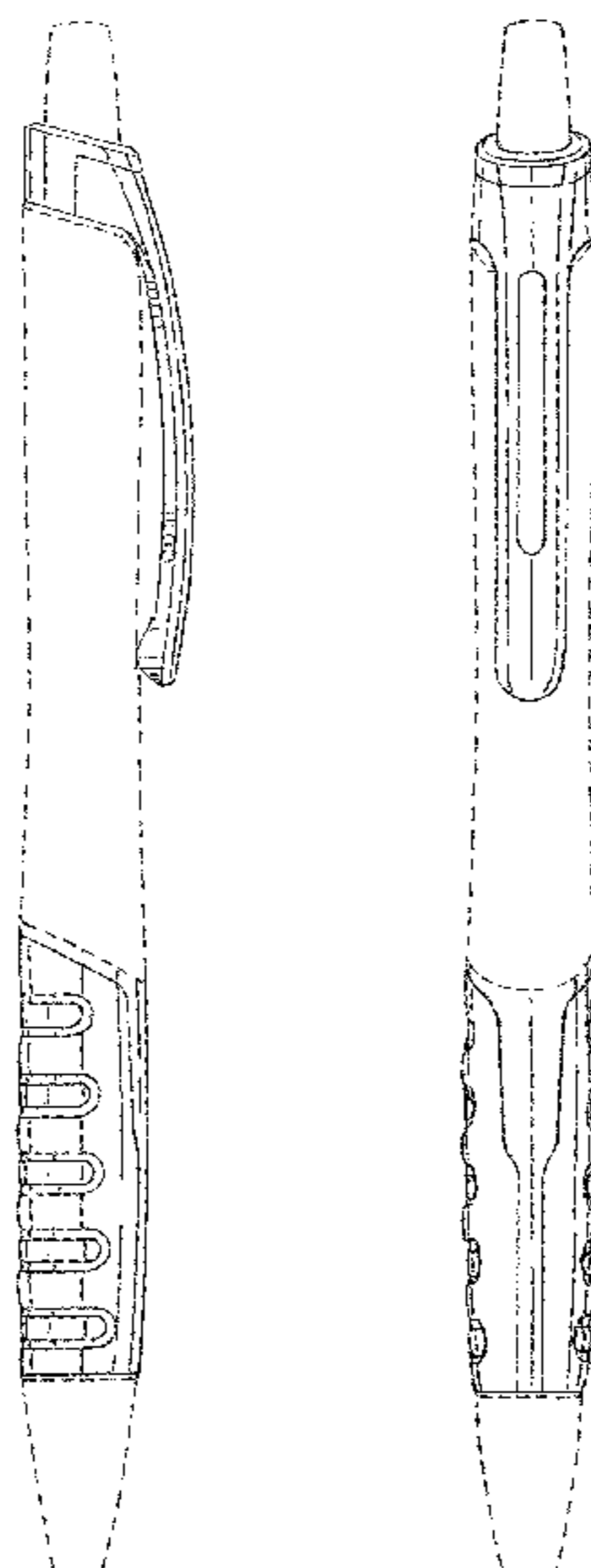
(57) **CLAIM**

The ornamental design for a pen, as shown and described.

DESCRIPTION

FIG. 1 is a top left side isometric view of a pen in accordance with the new design;
FIG. 2 is a left side elevational view thereof;
FIG. 3 is a right side elevational view thereof;
FIG. 4 is a top plan view thereof;
FIG. 5 is a bottom plan view thereof;
FIG. 6 is a rear elevational view thereof; and,
FIG. 7 is a front elevational view thereof.
The broken lines shown in FIGS. 1-7 are for the purpose of illustrating portions of the pen that form no part of the claimed design.

1 Claim, 4 Drawing Sheets



(56)

References Cited

U.S. PATENT DOCUMENTS

D827,712 S * 9/2018 Casciotti D19/199
D829,282 S * 9/2018 Keda D19/199
D834,090 S * 11/2018 Xu D19/199

* cited by examiner

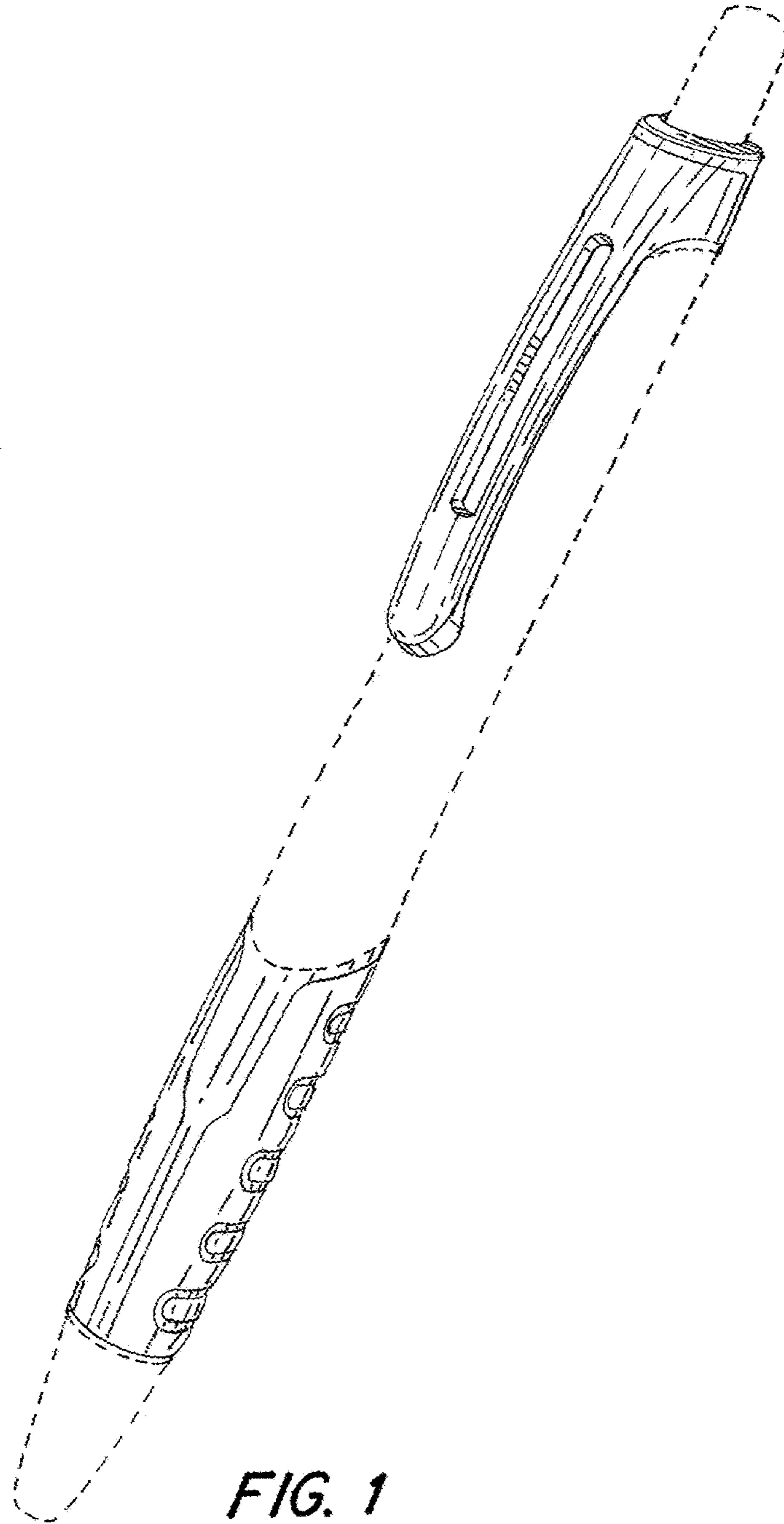


FIG. 1

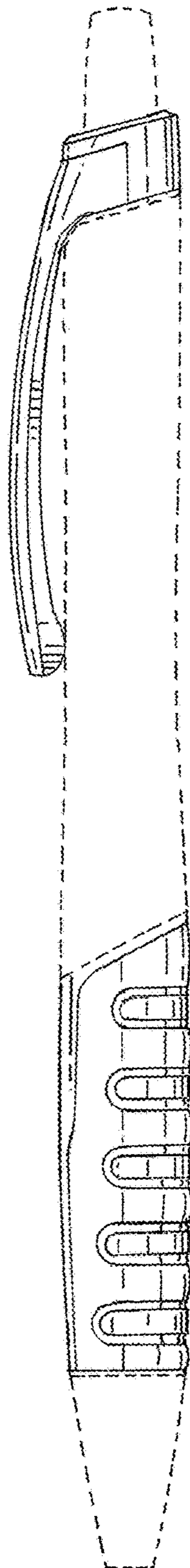


FIG. 2

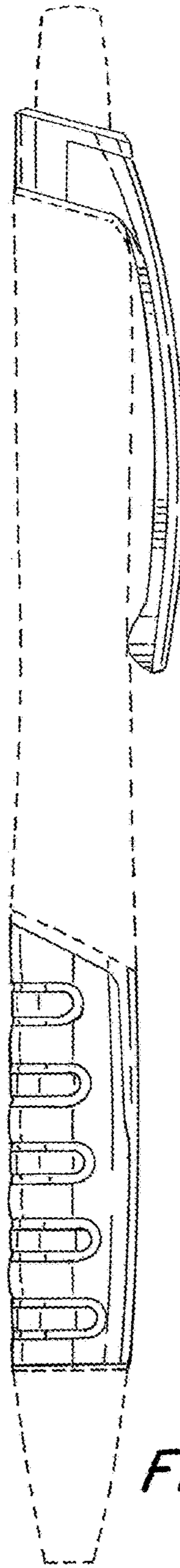


FIG. 3

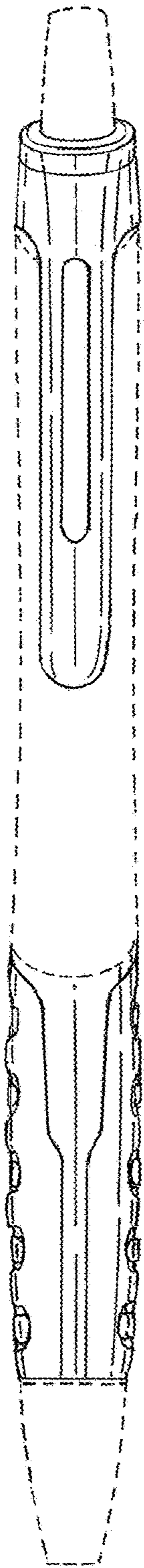


FIG. 4

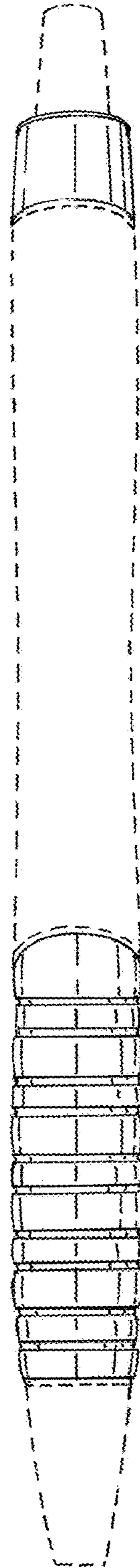


FIG. 5

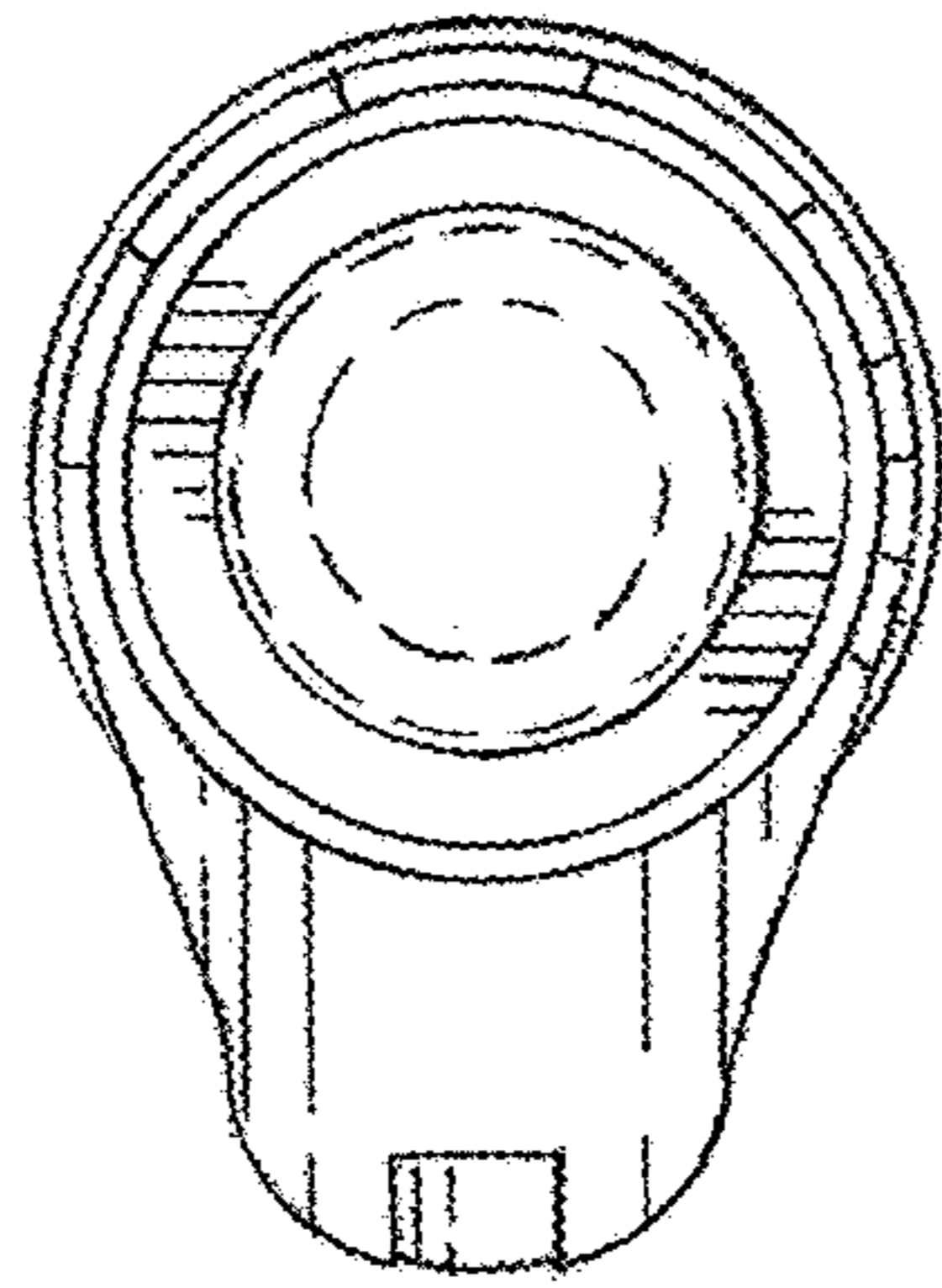


FIG. 6

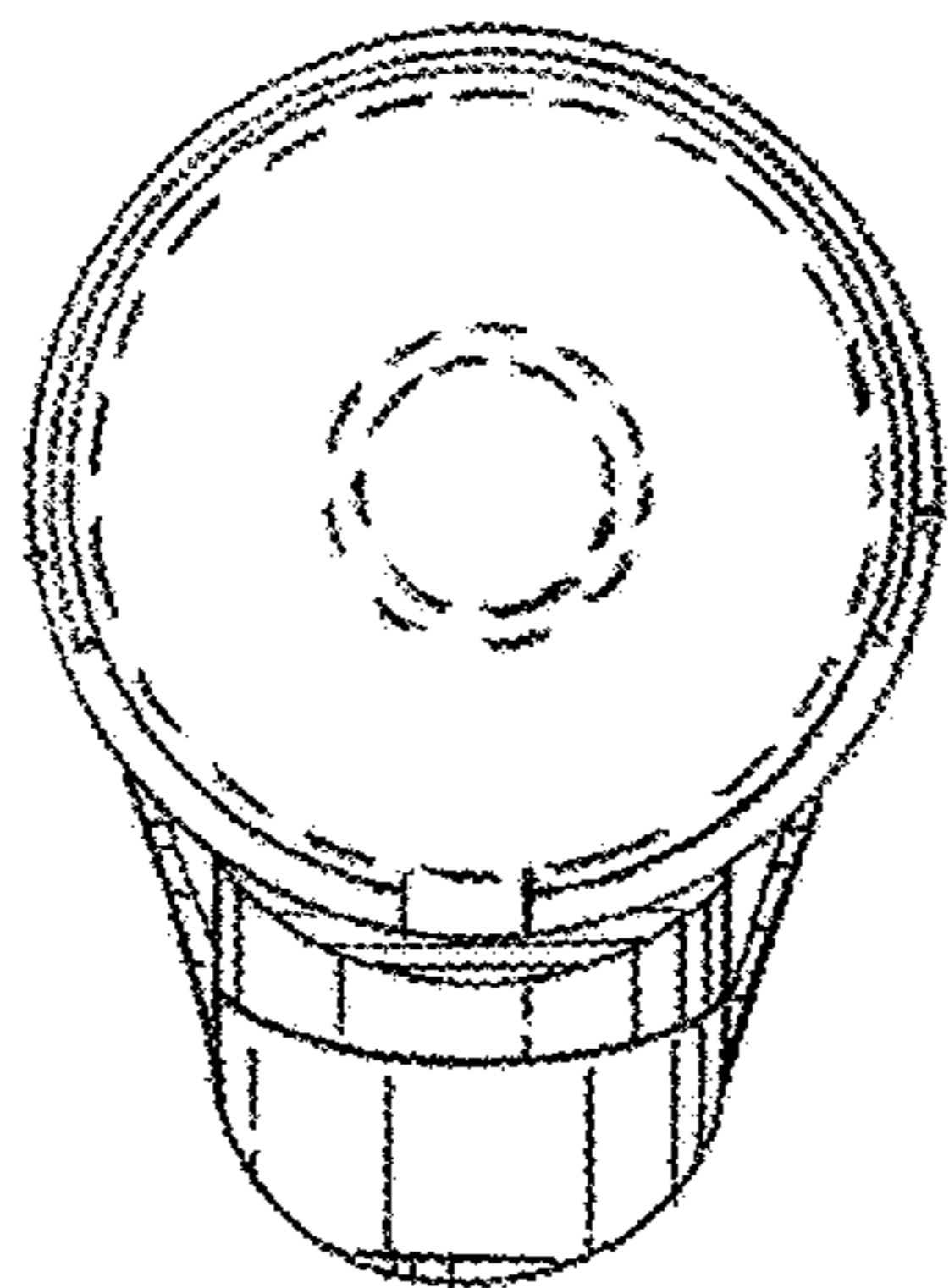


FIG. 7