



US00D860310S

(12) **United States Design Patent**
Martensson

(10) **Patent No.:** **US D860,310 S**

(45) **Date of Patent:** **** Sep. 17, 2019**

- (54) **PAD WITH PROTECTIVE PANEL**
- (71) Applicant: **Chartpak, Inc.**, Melville, NY (US)
- (72) Inventor: **Jon R. Martensson**, East Longmeadow, MA (US)
- (73) Assignee: **CHARTPAK, INC.**, Melville, NY (US)
- (**) Term: **15 Years**
- (21) Appl. No.: **29/629,928**
- (22) Filed: **Dec. 18, 2017**
- (51) **LOC (12) Cl.** **19-03**
- (52) **U.S. Cl.**
USPC **D19/26**
- (58) **Field of Classification Search**
USPC D19/26, 27, 32, 33, 124, 100, 2, 3, 86,
D19/91; D3/303, 227, 900; D9/433,
D9/634; D14/440

(Continued)

(56) **References Cited**

U.S. PATENT DOCUMENTS

- 651,713 A * 6/1900 Hurlbut B42D 15/08
281/15.1
- 1,510,110 A * 9/1924 Schmidt G09B 29/008
281/15.1

(Continued)

FOREIGN PATENT DOCUMENTS

- GB 177947 A * 4/1922 B42D 1/06
- JP 01257099 A * 10/1989 B42D 1/00

OTHER PUBLICATIONS

Amazon. Link: https://www.amazon.com/Chartpak-Marker-Paper-Sheets-26061302012/dp/B071JC9TPT/ref=sr_1_2?ie=UTF8&qid=1542738628&sr=8-2&keywords=Chartpak+AD+Marker+Pad. Jun. 1, 2017. Chartpak AD Marker Paper Pad with Ink Block Panel. (Year: 2017).*

Primary Examiner — Susan Bennett Hattan
Assistant Examiner — Lauren D McVey
(74) *Attorney, Agent, or Firm* — Myers Wolin, LLC

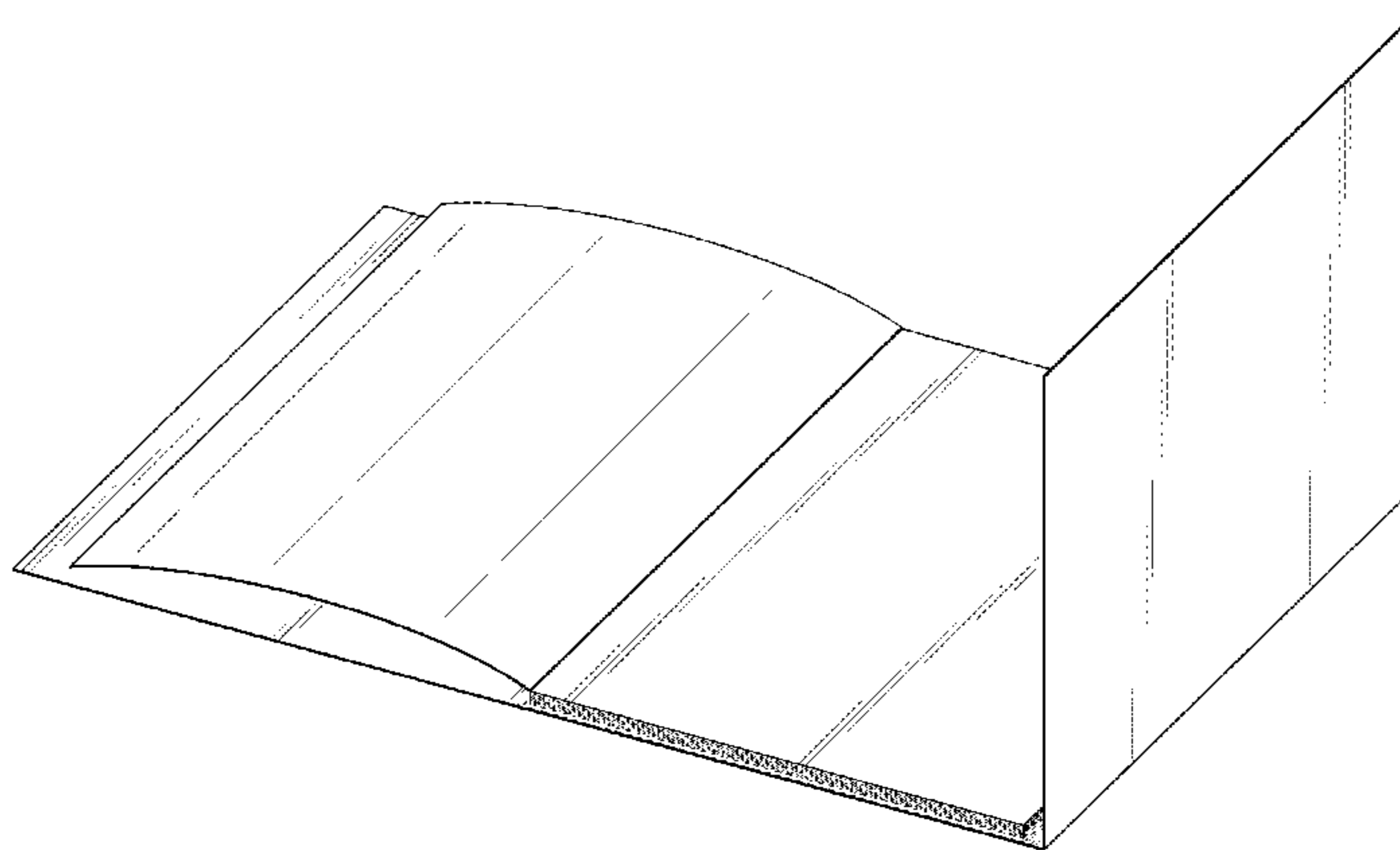
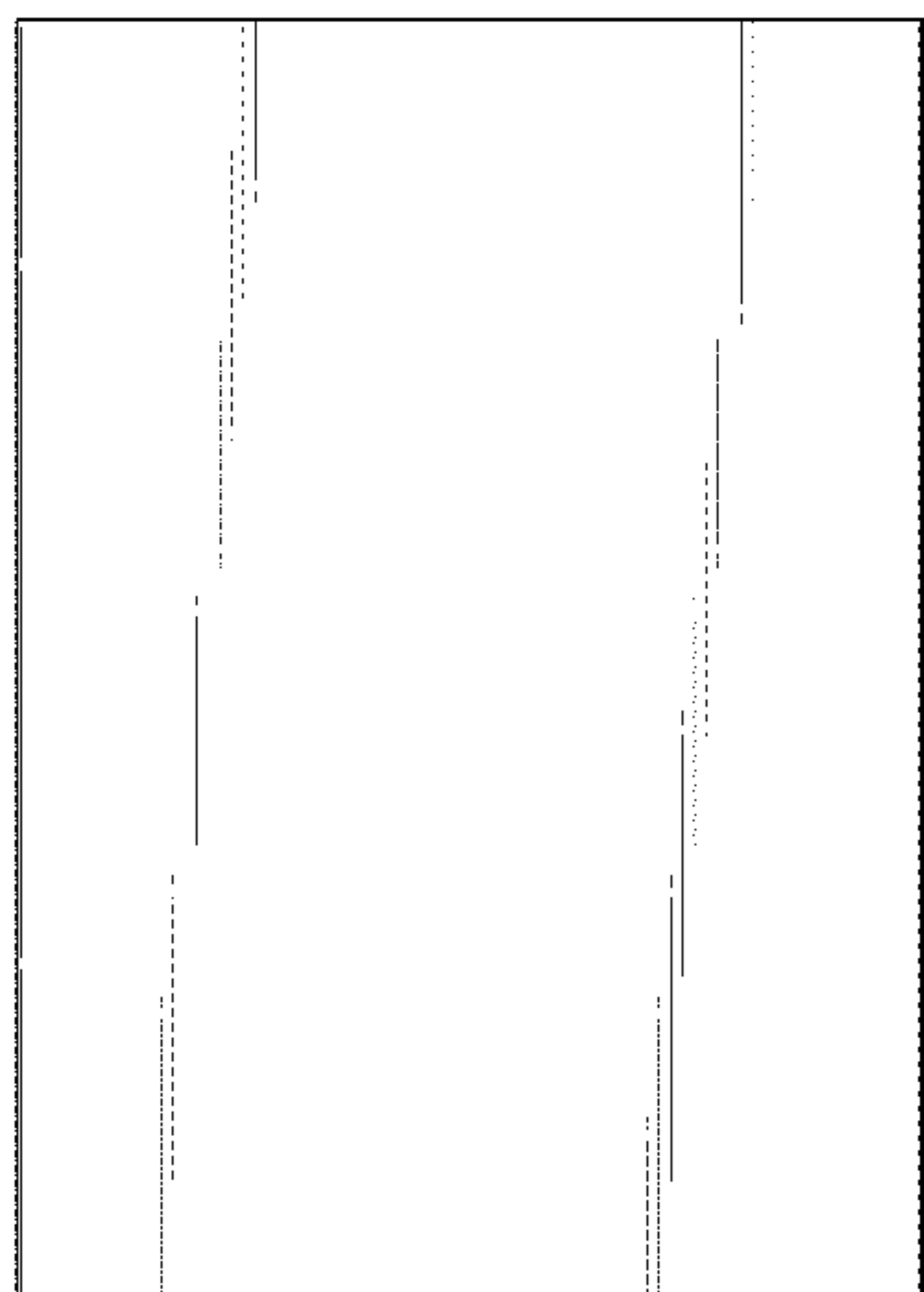
(57) **CLAIM**

The ornamental design for a pad with protective panel, as shown and described.

DESCRIPTION

FIG. 1 is a perspective view of a pad with protective panel showing my new design;
 FIG. 2 is an enlarged view of the encircled portion identified as “2” in FIG. 1;
 FIG. 3 is an enlarged view of the encircled portion identified as “3” in FIG. 1;
 FIG. 4 is a front plan view of the pad with protective panel of FIG. 1, the rear view thereof being identical;
 FIG. 5 is a left side elevational view thereof;
 FIG. 6 is a right side elevational view thereof;
 FIG. 7 is a bottom view thereof, the top view thereof being a mirror image;
 FIG. 8 is an enlarged view thereof of the encircled portion identified as “8” in FIG. 7;
 FIG. 9 is an enlarged view thereof of the encircled portion identified as “9” in FIG. 7;
 FIG. 10 is a rear view of the pad with protective panel of FIG. 1;
 FIG. 11 is a perspective view of the pad with protective panel of FIG. 1 shown in an alternate position;
 FIG. 12 is a perspective view of the pad with protective panel of FIG. 1 shown in an alternate position;
 FIG. 13 is a perspective view of the pad with protective panel of FIG. 1 shown in an alternate position;
 FIG. 14 is a perspective view of the pad with protective panel of FIG. 1 shown in an alternate position; and,
 FIG. 15 is a perspective view of the pad with protective panel of FIG. 1 shown in an alternate position.
 The evenly spaced broken lines immediately adjacent to the claim represent the bounds of the claimed design, while all other evenly spaced broken lines encircling portions of the claimed design in FIGS. 1 and 7 that are illustrated enlargements in FIGS. 2, 3, 8, and 9 form no part of the claimed design.

(Continued)



US D860,310 S

Page 2

The densely spaced occasionally broken lines shown on the bottom and right side edges indicate a contrast in appearance as shown.

1 Claim, 8 Drawing Sheets

(58) Field of Classification Search

CPC B42D 5/003; B42D 5/005; B42D 5/006;
B42D 5/008; B42D 5/02; B42D 5/041;
B32B 21/06

See application file for complete search history.

(56) References Cited

U.S. PATENT DOCUMENTS

D266,172 S * 9/1982 Fraser D19/26

4,351,474 A * 9/1982 Kaelblein B42D 15/08
229/68.1
D268,347 S * 3/1983 Marsh D19/27
D276,243 S * 11/1984 Brucoli 40/391
D291,209 S * 8/1987 Nava B41L 1/24
D18/7
5,104,146 A * 4/1992 Schulz B42D 5/042
281/15.1
5,186,684 A * 2/1993 Weinberger B41L 1/20
281/44
D341,373 S * 11/1993 Stern D19/26
D425,557 S * 5/2000 Imbernino D19/26
D477,634 S * 7/2003 Malone B42D 1/00
D19/26
D599,851 S * 9/2009 Savoy B42F 7/06
D19/26
D604,360 S * 11/2009 Savoy G09B 29/008
D19/26
D612,418 S * 3/2010 Kenney D19/1

* cited by examiner

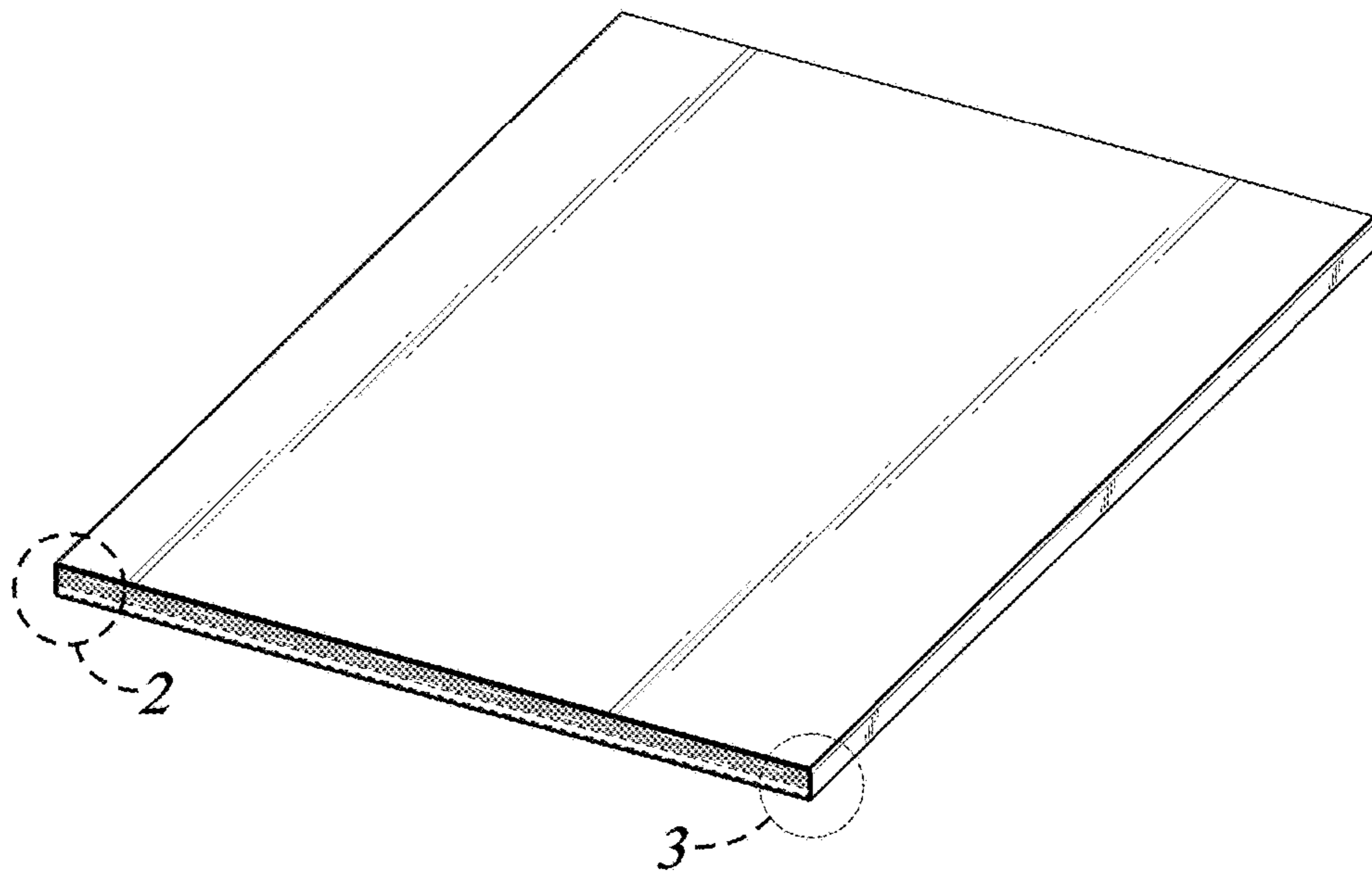


FIG. 1

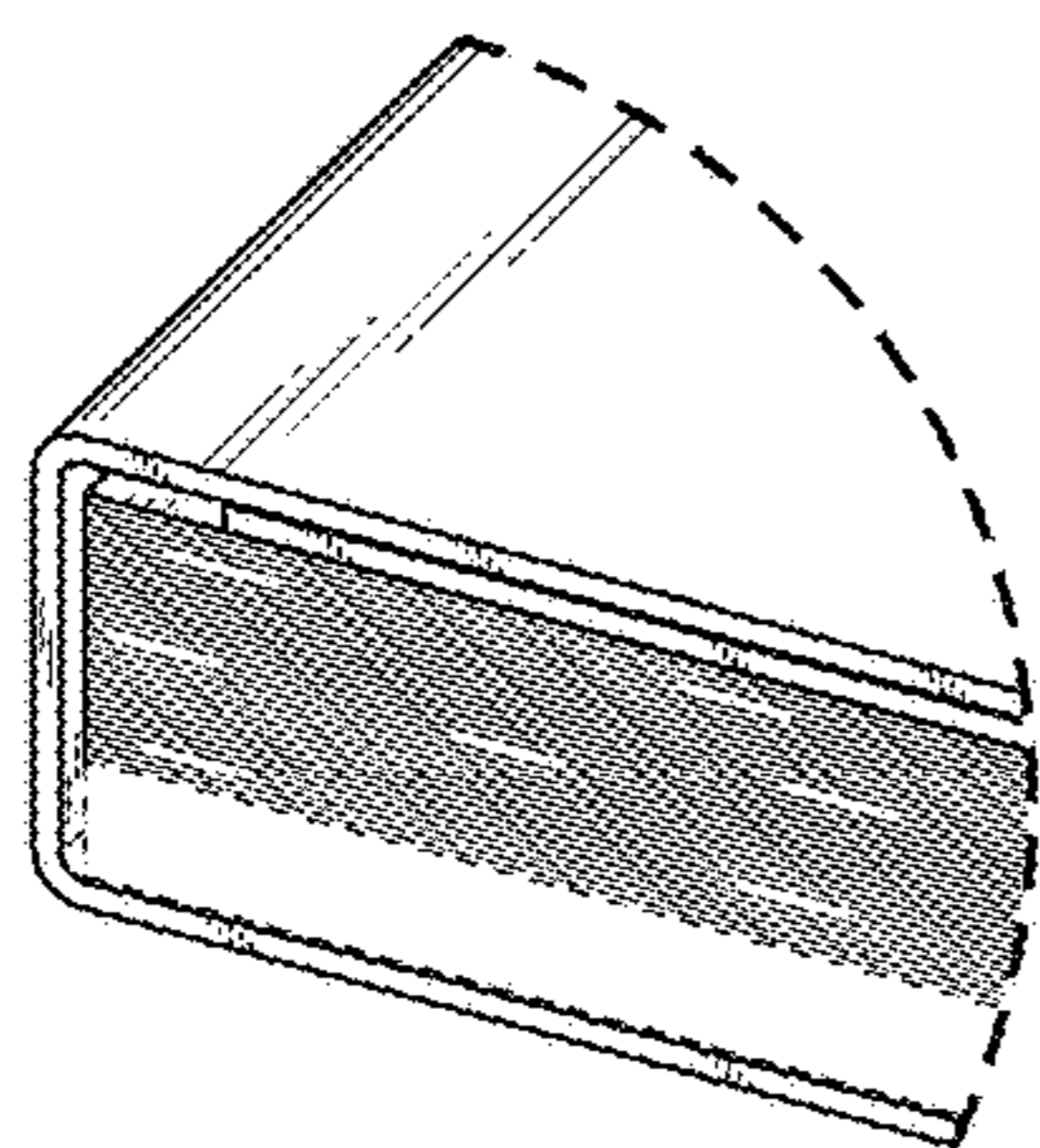


FIG. 2

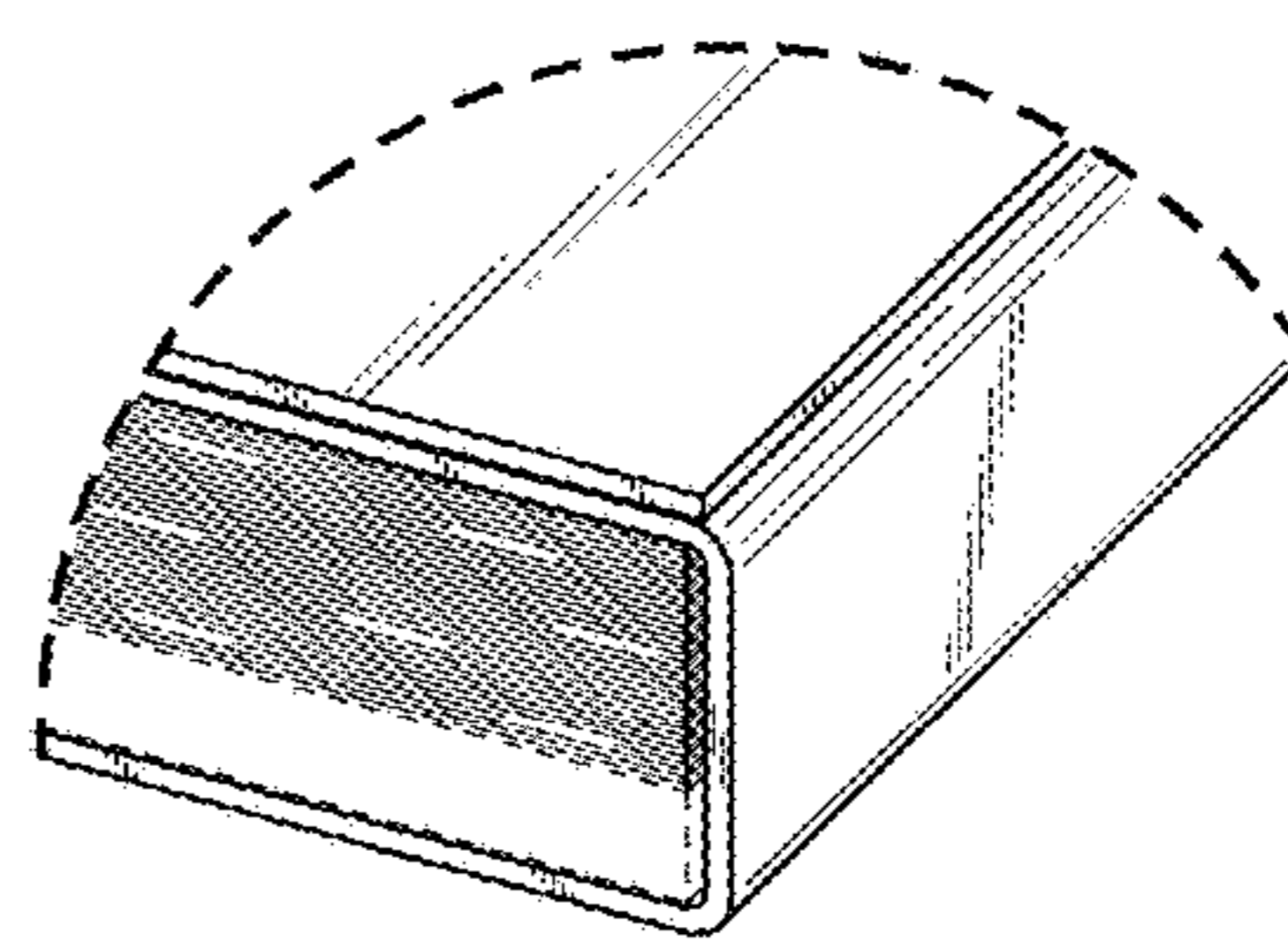


FIG. 3

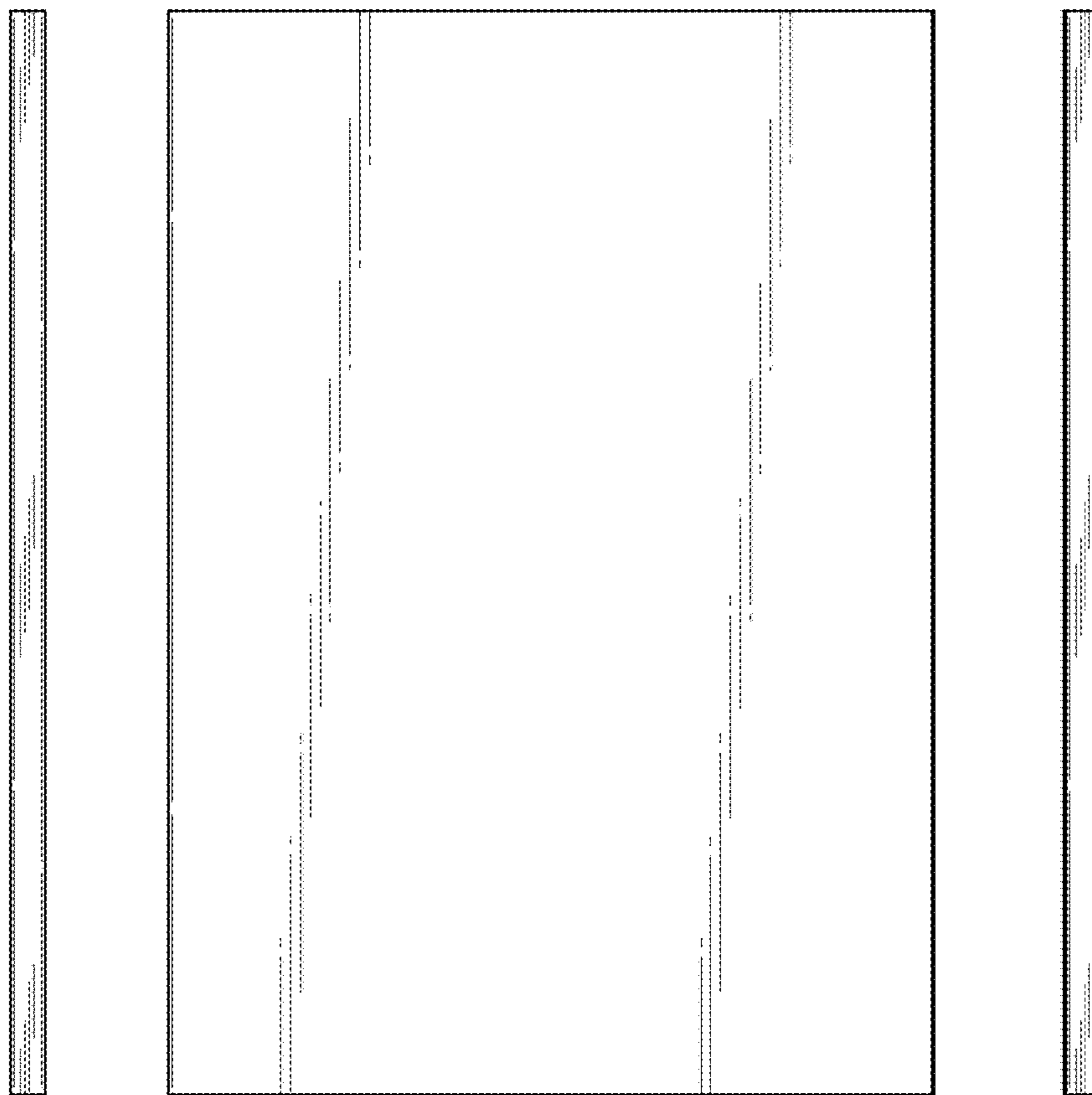


FIG. 5

FIG. 4

FIG. 6



FIG. 7

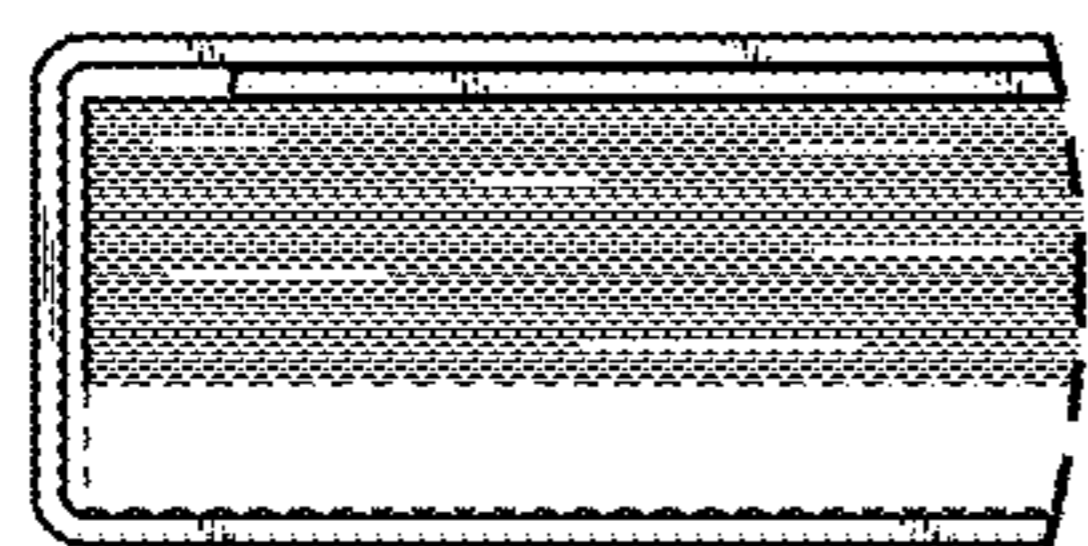


FIG. 8



FIG. 9

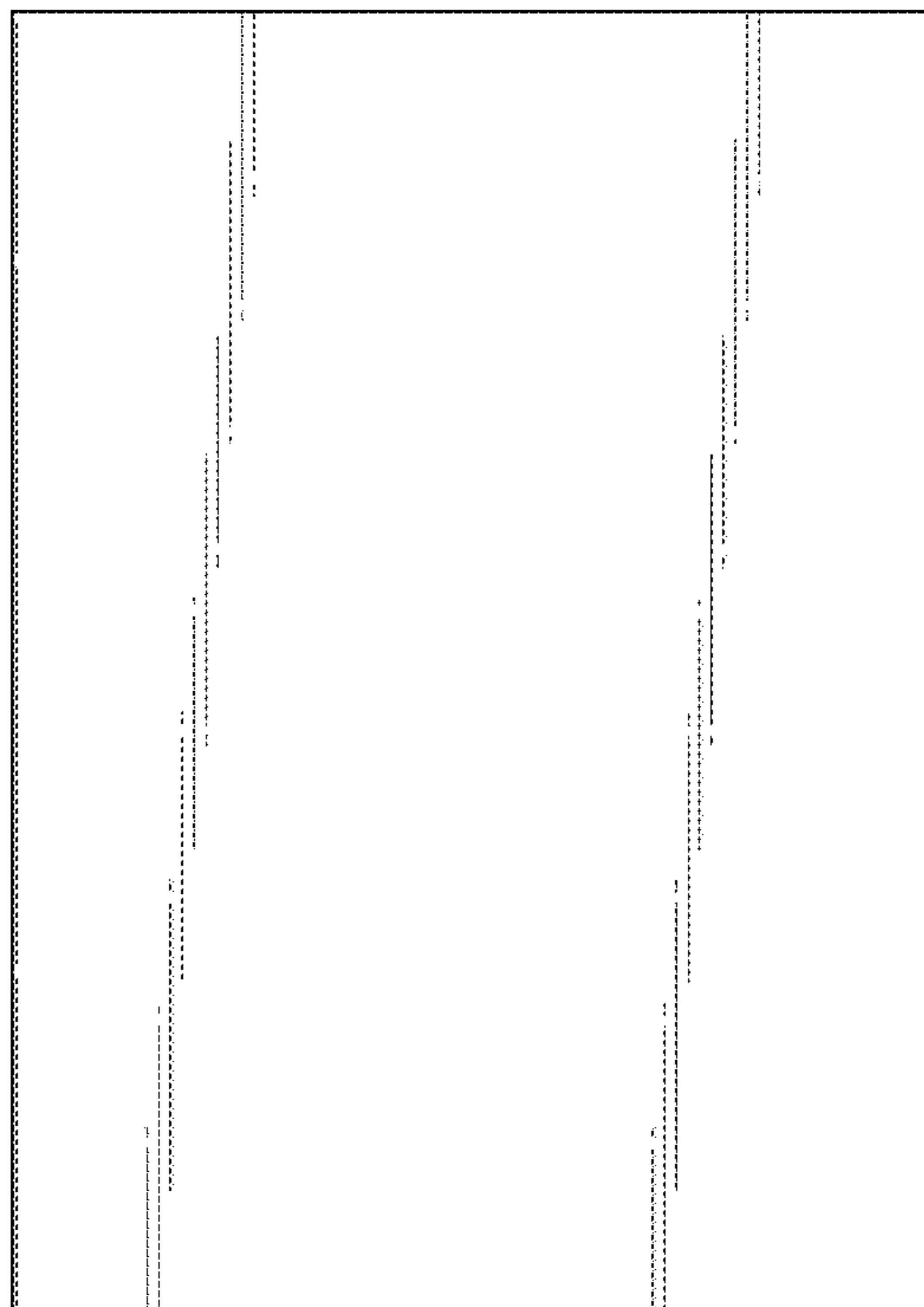


FIG. 10

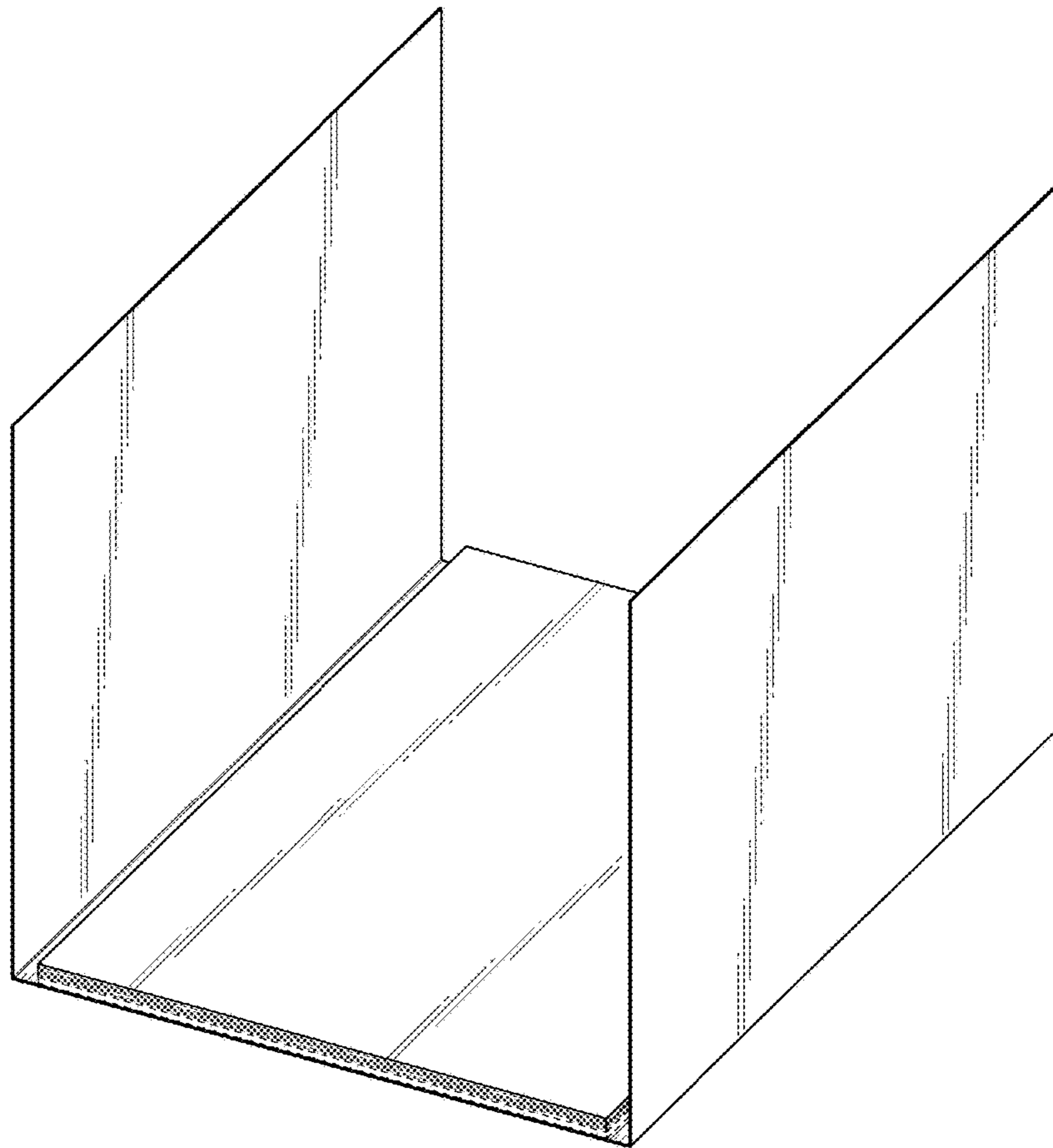


FIG. 11

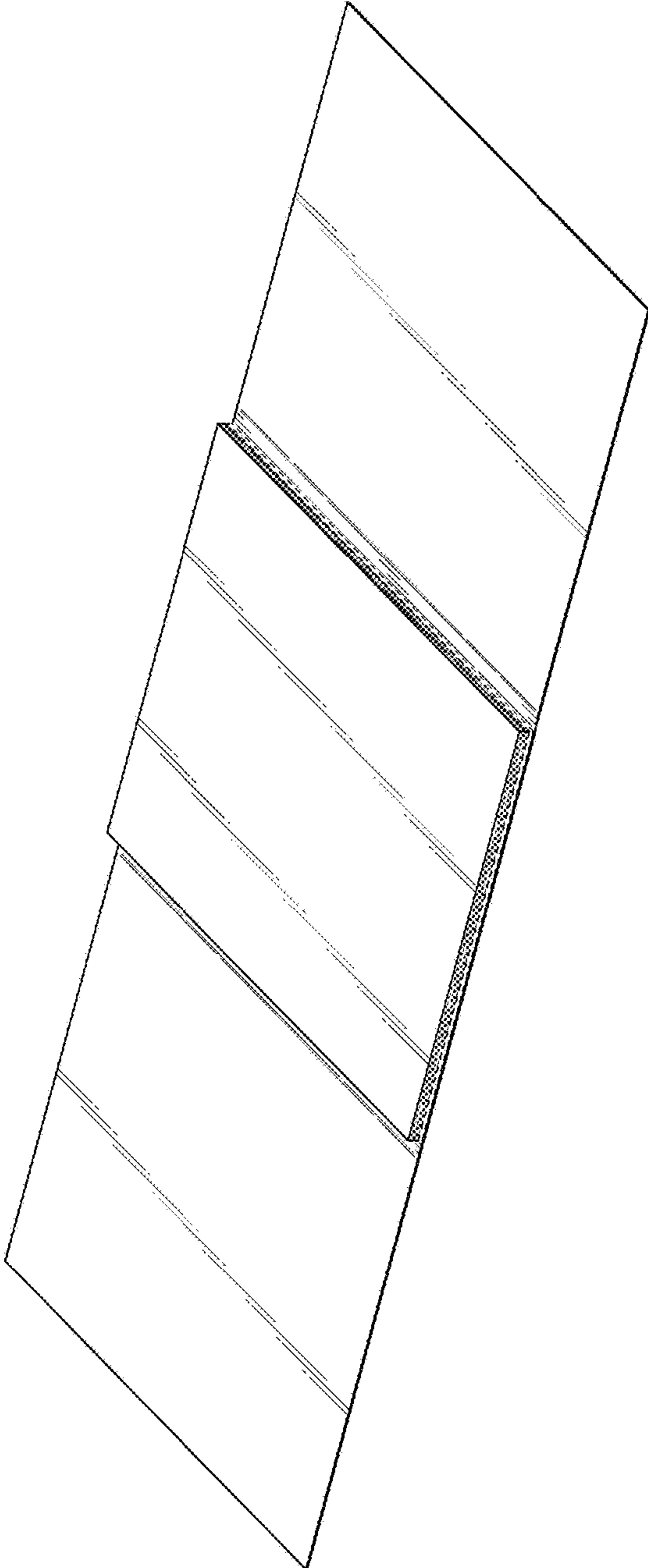


FIG. 12

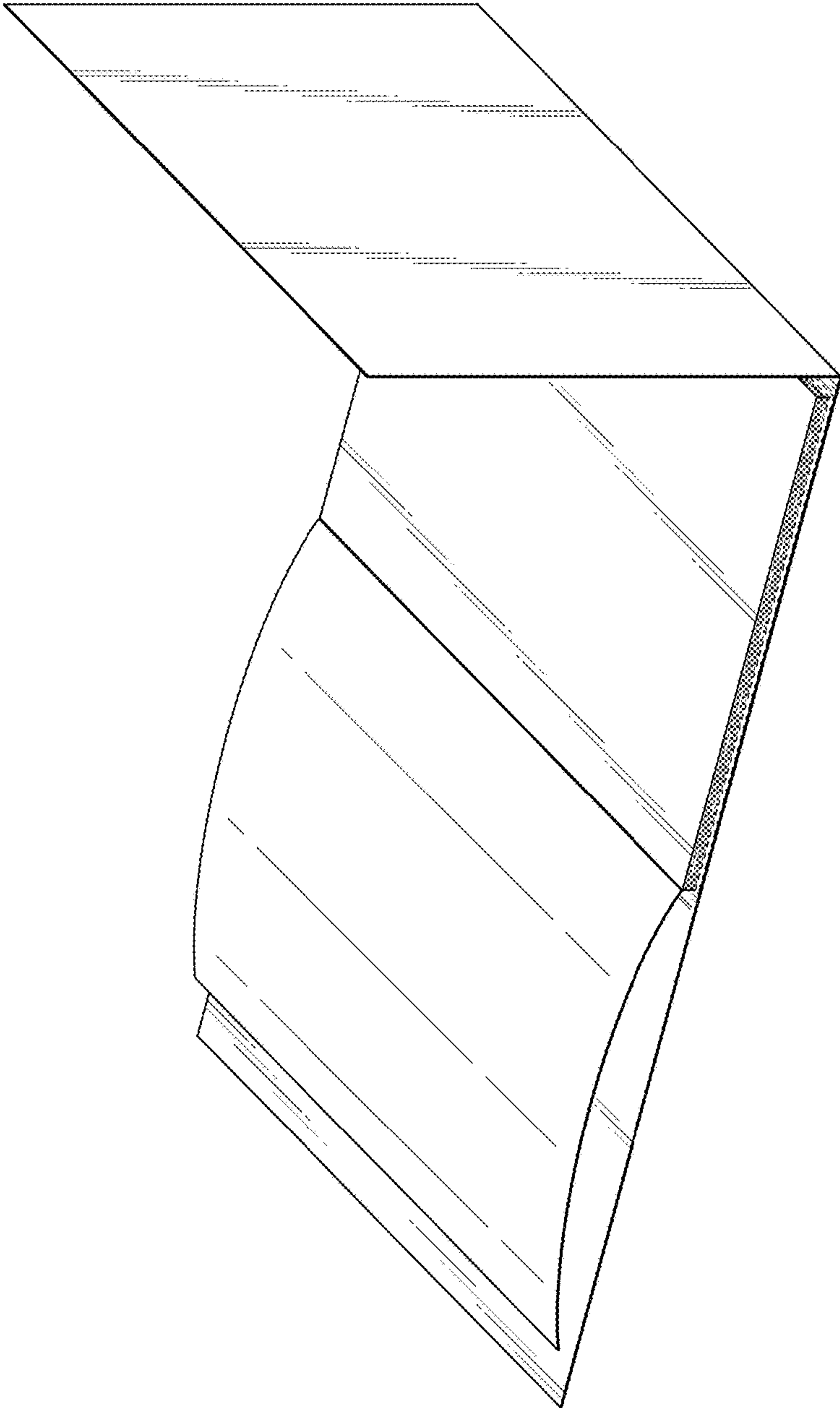


FIG. 13

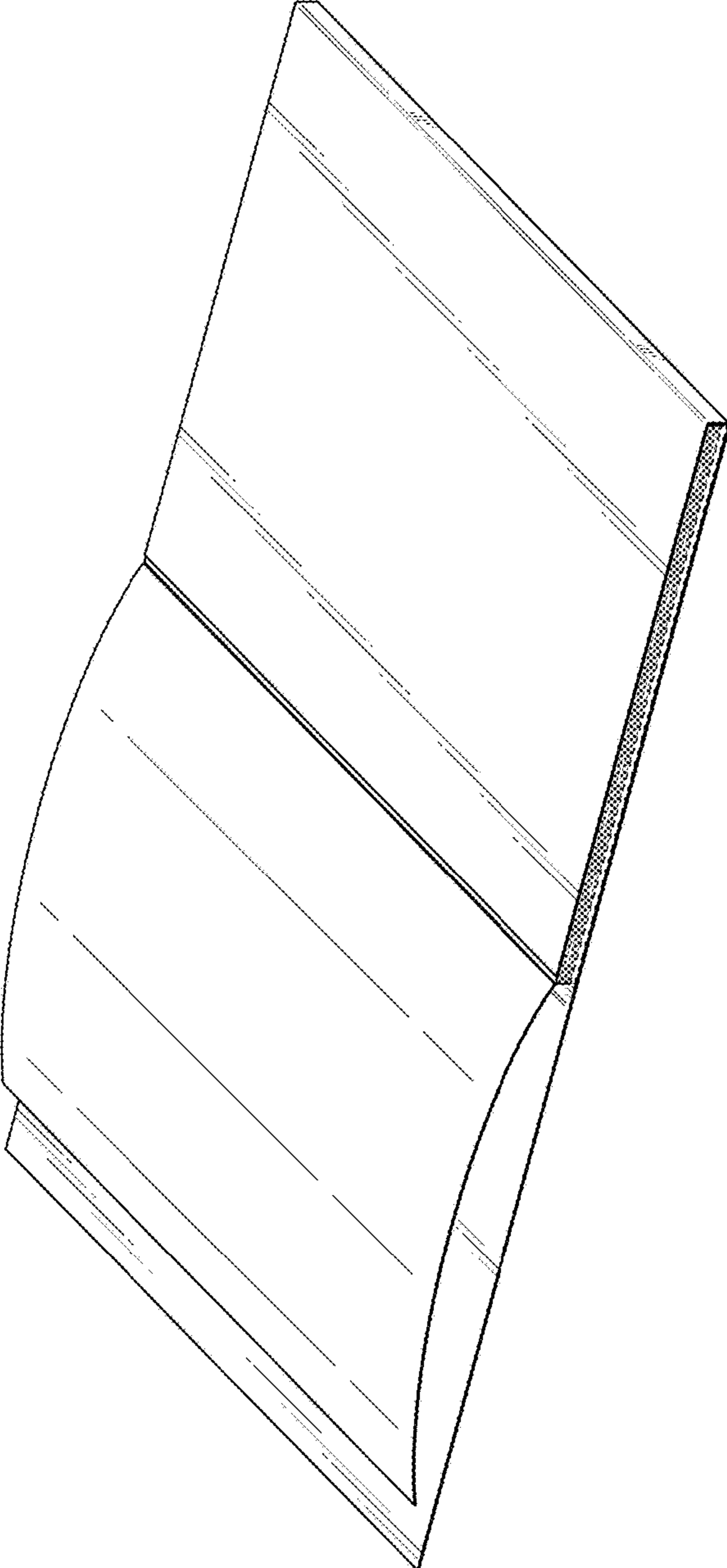


FIG. 14

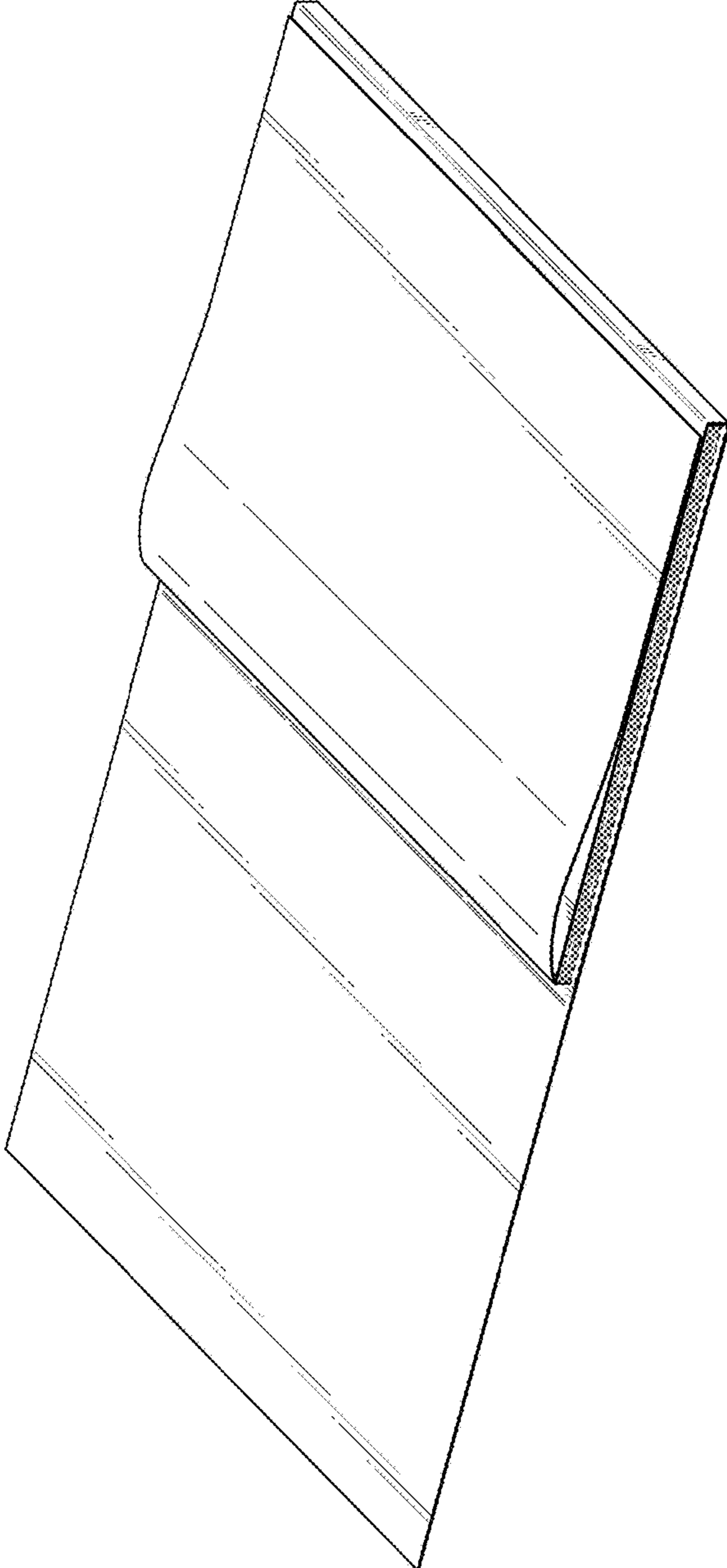


FIG. 15