



US00D860309S

(12) **United States Design Patent** (10) **Patent No.:** **US D860,309 S**
Tsai et al. (45) **Date of Patent:** **** Sep. 17, 2019**

(54) **NOTE PAPER PAD**

(71) Applicant: **Taiwan Hopax Chemicals Mfg. Co., Ltd.**, Kaohsiung (TW)

(72) Inventors: **Chin-Chung Tsai**, Kaohsiung (TW);
Tzu-Jung Wang, Kaohsiung (TW);
Tsung-Tien Kuo, Kaohsiung (TW)

(73) Assignee: **Taiwan Hopax Chemicals Mfg. Co., Ltd.**, Kaohsiung (TW)

(**) Term: **15 Years**

(21) Appl. No.: **29/590,768**

(22) Filed: **Jan. 13, 2017**

(51) **LOC (12) Cl.** **19-04**

(52) **U.S. Cl.**
USPC **D19/26**

(58) **Field of Classification Search**
USPC D19/26, 27, 32, 33, 34, 34.1-34.5, 124,
D19/100, 2, 3, 86, 91; D3/303, 227, 900;
D9/433, 634; D14/440

(Continued)

(56) **References Cited**

U.S. PATENT DOCUMENTS

1,089,557 A * 3/1914 Henderson B42D 3/04
281/19.1
2,108,015 A * 2/1938 Kalish B42D 5/001
281/29

(Continued)

FOREIGN PATENT DOCUMENTS

WO WO 2016124820 A1 * 8/2016 B42B 5/12

OTHER PUBLICATIONS

Erin Condren. <URL: <https://www.erincondren.com/snapin-monthly-bill-tracker-dashboard>.> Visited Jan. 17, 2018. Snap-in planner sheet.*

(Continued)

Primary Examiner — Susan Bennett Hattan

Assistant Examiner — Lauren D McVey

(74) *Attorney, Agent, or Firm* — JCIPRNET

(57) **CLAIM**

The ornamental design for a note paper pad, as shown and described.

DESCRIPTION

The file of this patent contains at least one drawing executed in color. Copies of this patent with color drawing(s) will be provided by the Office upon request and payment of the necessary fee.

FIGS. 1-10 include the color yellow, Pantone PMS 0131 U, and FIGS. 11-20 include the color blue, Pantone PMS 2975 U.

FIG. 1 is a perspective view of a first embodiment of a note paper pad, showing our new design;

FIG. 2 is a front elevation view of FIG. 1;

FIG. 3 is a rear elevation view of FIG. 1;

FIG. 4 is a left side elevation view of FIG. 1;

FIG. 5 is a right side elevation view of FIG. 1;

FIG. 6 is a top plan view of FIG. 1;

FIG. 7 is a bottom plan view of FIG. 1;

FIG. 8 is a perspective view showing the note paper pad of FIG. 1 in a partially open position, in order to show aspects of the design not otherwise apparent;

FIG. 9 is a top plan view showing the note paper pad of FIG. 1 in a flat and open position, in order to show aspects of the design not otherwise apparent;

FIG. 10 is a side view showing the note paper pad of FIG. 9;

FIG. 11 is a perspective view of a second embodiment of a note paper pad, showing our new design;

FIG. 12 is a front elevation view of FIG. 11;

FIG. 13 is a rear elevation view of FIG. 11;

FIG. 14 is a left side elevation view of FIG. 11;

FIG. 15 is a right side elevation view of FIG. 11;

FIG. 16 is a top plan view of FIG. 11;

FIG. 17 is a bottom plan view of FIG. 11;

(Continued)

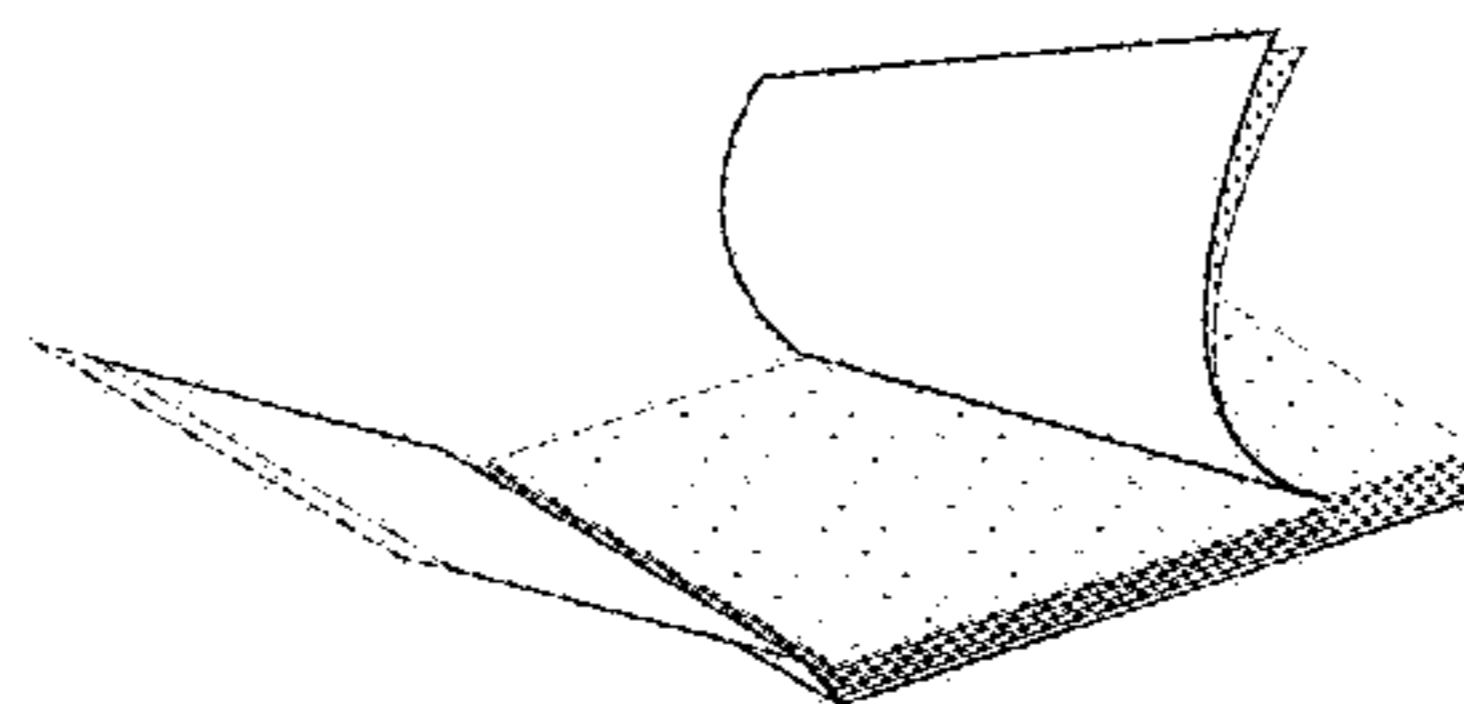
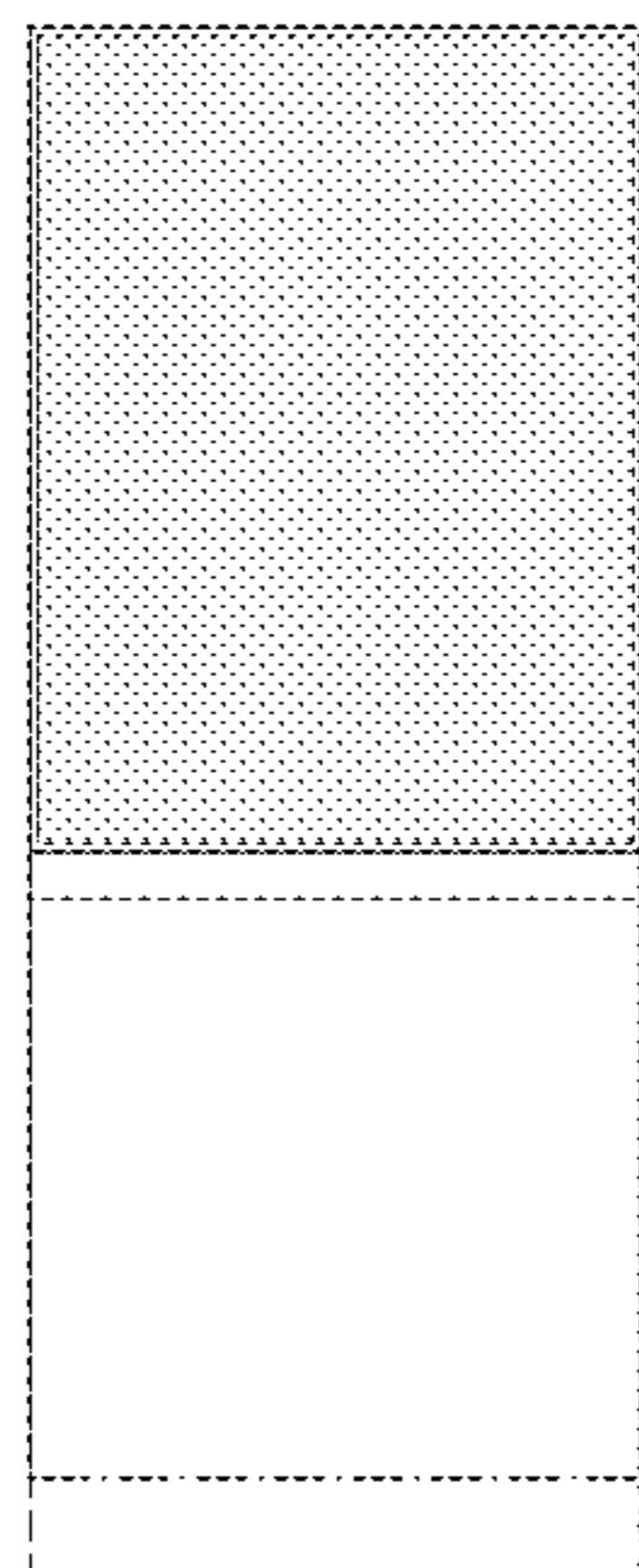


FIG. 18 is a perspective view showing the note paper pad of FIG. 11 in a partially open position, in order to show aspects of the design not otherwise apparent;
 FIG. 19 is a top plan view showing the note paper pad of FIG. 11 in a flat and open position, in order to show aspects of the design not otherwise apparent;
 FIG. 20 is a side view showing the note paper pad of FIG. 19;
 FIG. 21 is a perspective view of a third embodiment of a note paper pad, showing our new design;
 FIG. 22 is a front elevation view of FIG. 21;
 FIG. 23 is a rear elevation view of FIG. 21;
 FIG. 24 is a left side elevation view of FIG. 21;
 FIG. 25 is a right side elevation view of FIG. 21;
 FIG. 26 is a top plan view of FIG. 21;
 FIG. 27 is a bottom plan view of FIG. 21;
 FIG. 28 is a perspective view showing the note paper pad of FIG. 21 in a partially open position, in order to show aspects of the design not otherwise apparent;
 FIG. 29 is a top plan view showing the note paper pad of FIG. 21 in a flat and open position, in order to show aspects of the design not otherwise apparent; and,
 FIG. 30 is a side view showing the note paper pad of FIG. 29.

The dot-dash broken lines immediately adjacent the claim represent the bounds of the claimed design, while all other broken lines are directed to environment and are for illustrative purposes only; the broken lines form no part of the claimed design.

**1 Claim, 15 Drawing Sheets
 (10 of 15 Drawing Sheet(s) Filed in Color)**

(58) **Field of Classification Search**
 CPC B42D 5/003; B42D 5/006; B42D 5/008;
 B42D 5/02; B42D 5/041
 See application file for complete search history.

(56) **References Cited**

U.S. PATENT DOCUMENTS

2,205,034	A *	6/1940	Dykes	B42D 5/005 211/51
3,334,921	A *	8/1967	Fischer	B41L 1/24 462/17
D404,424	S *	1/1999	Covey	D19/32
6,403,189	B1 *	6/2002	Donahue	B42F 15/066 24/67 AR
D723,617	S *	3/2015	Kuo	D19/26
D725,190	S *	3/2015	Kuo	D19/26
D725,702	S *	3/2015	Kuo	D19/26
D727,420	S *	4/2015	Kuo	D19/26
D739,892	S *	9/2015	Klosky	D19/26
2009/0123685	A1 *	5/2009	Liu	B42D 5/003 428/42.1
2018/0009255	A1 *	1/2018	Kinnunen	B43L 3/002

OTHER PUBLICATIONS

Amazon. Link: <https://www.amazon.com/Leuchtturm1917-Classic-Hardcover-Dotted-Notebook/dp/B003W5HHVK>. Jun. 15, 2011. Leuchtturm1917 Classic Hardcover Dotted Pocket Notebook White (Year: 2011).*

* cited by examiner

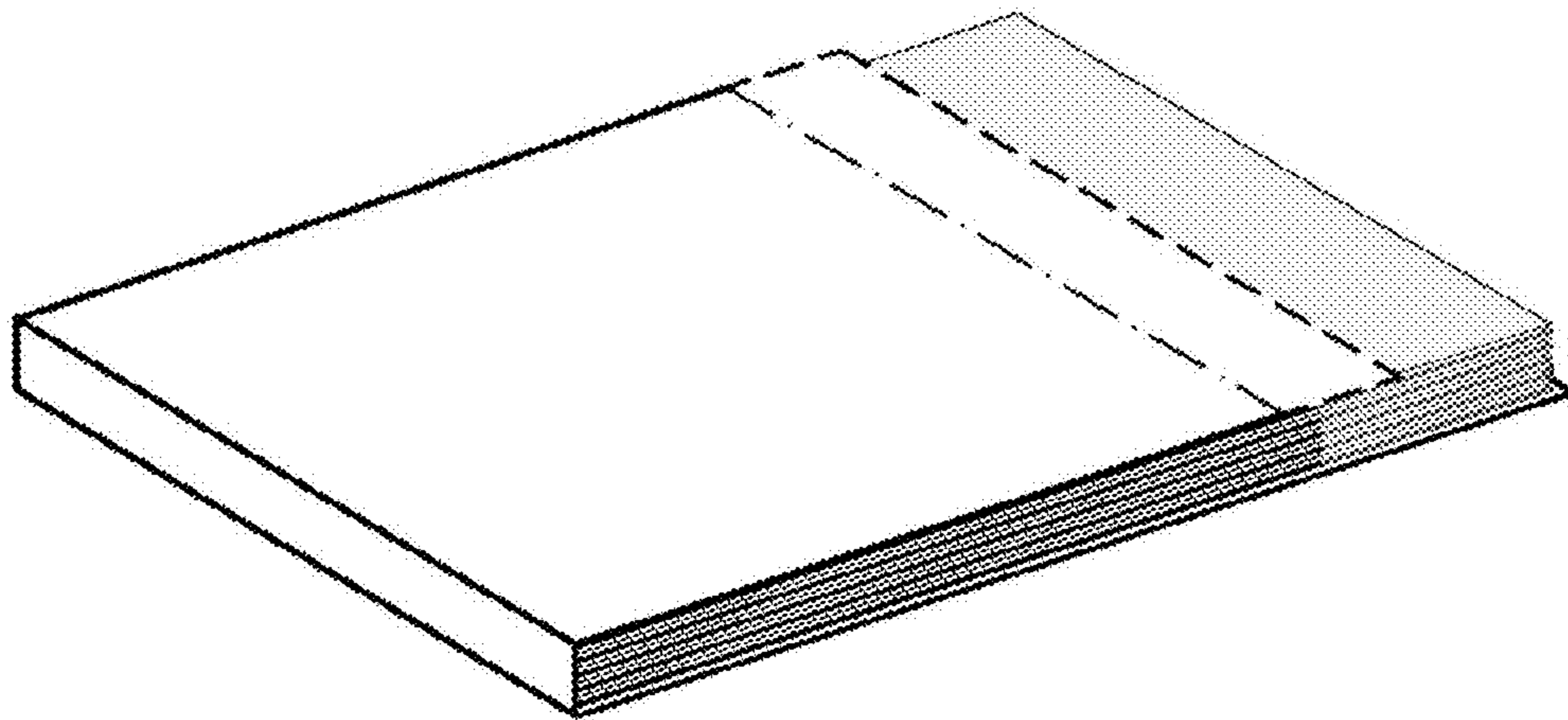


FIG.1



FIG. 2

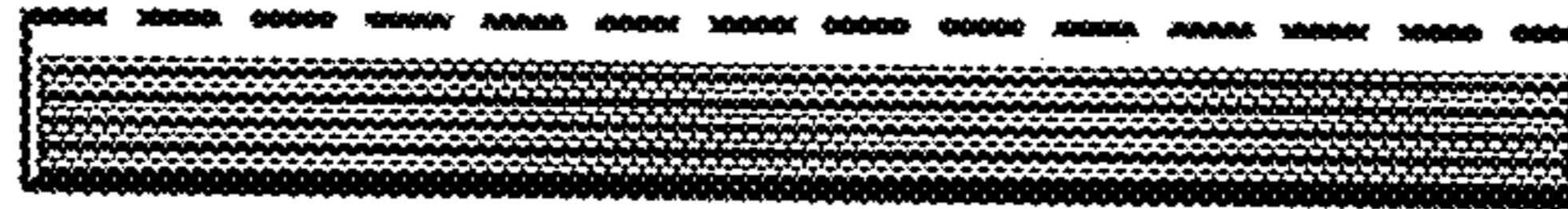


FIG. 3

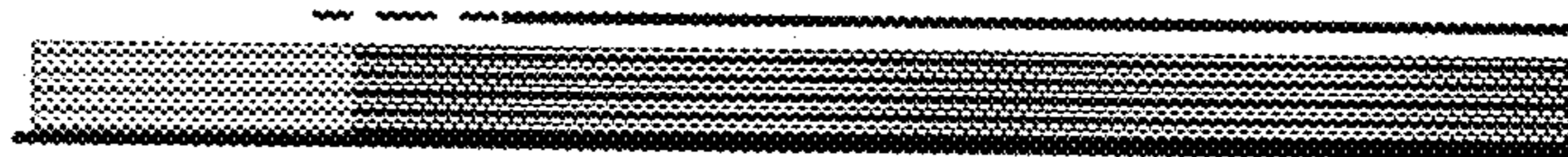


FIG. 4

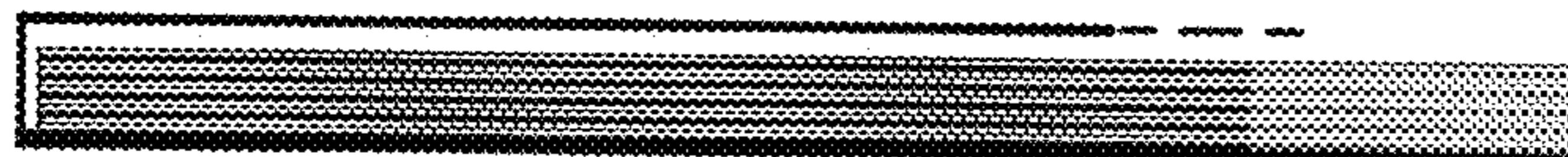


FIG. 5

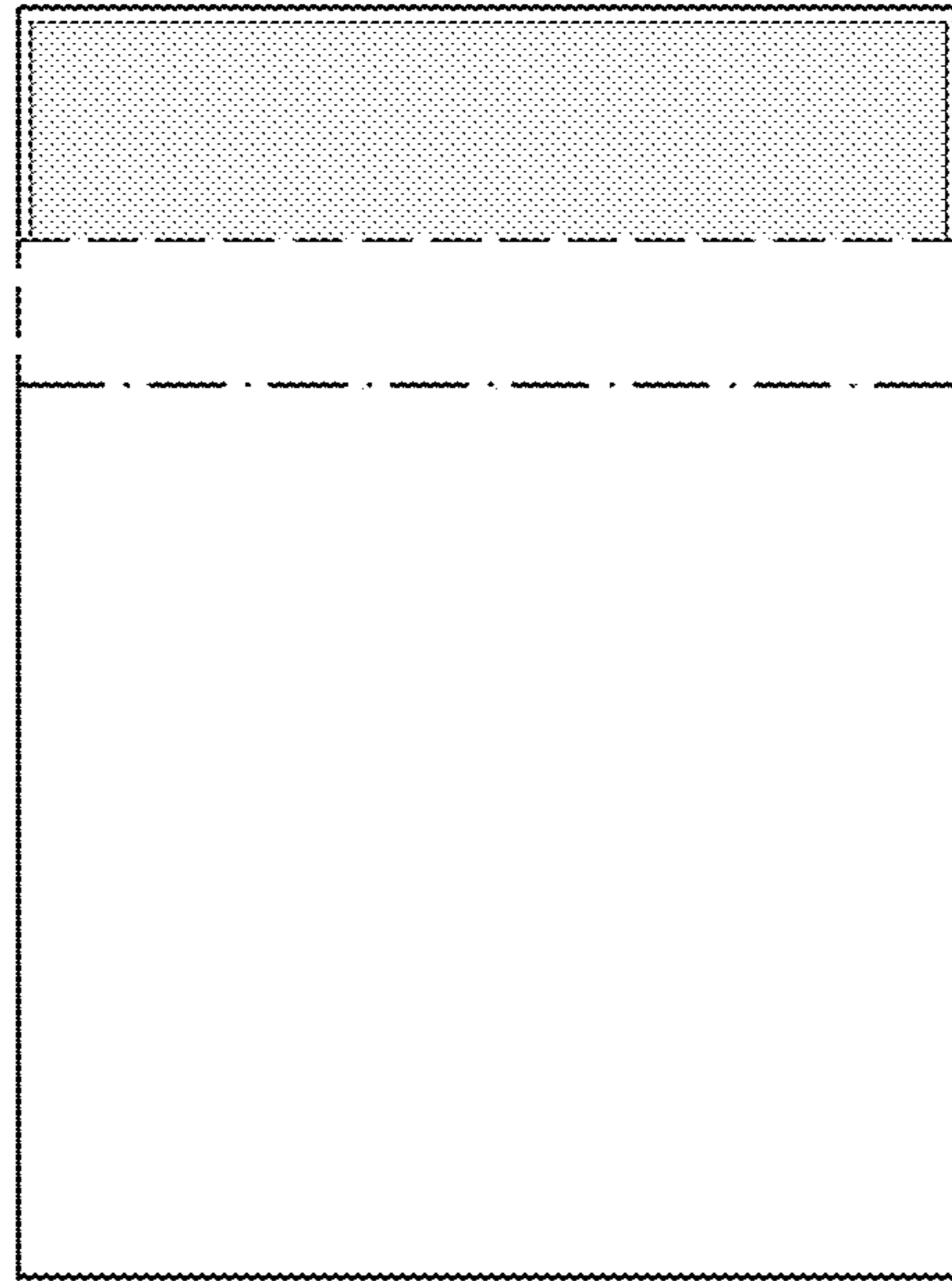


FIG. 6

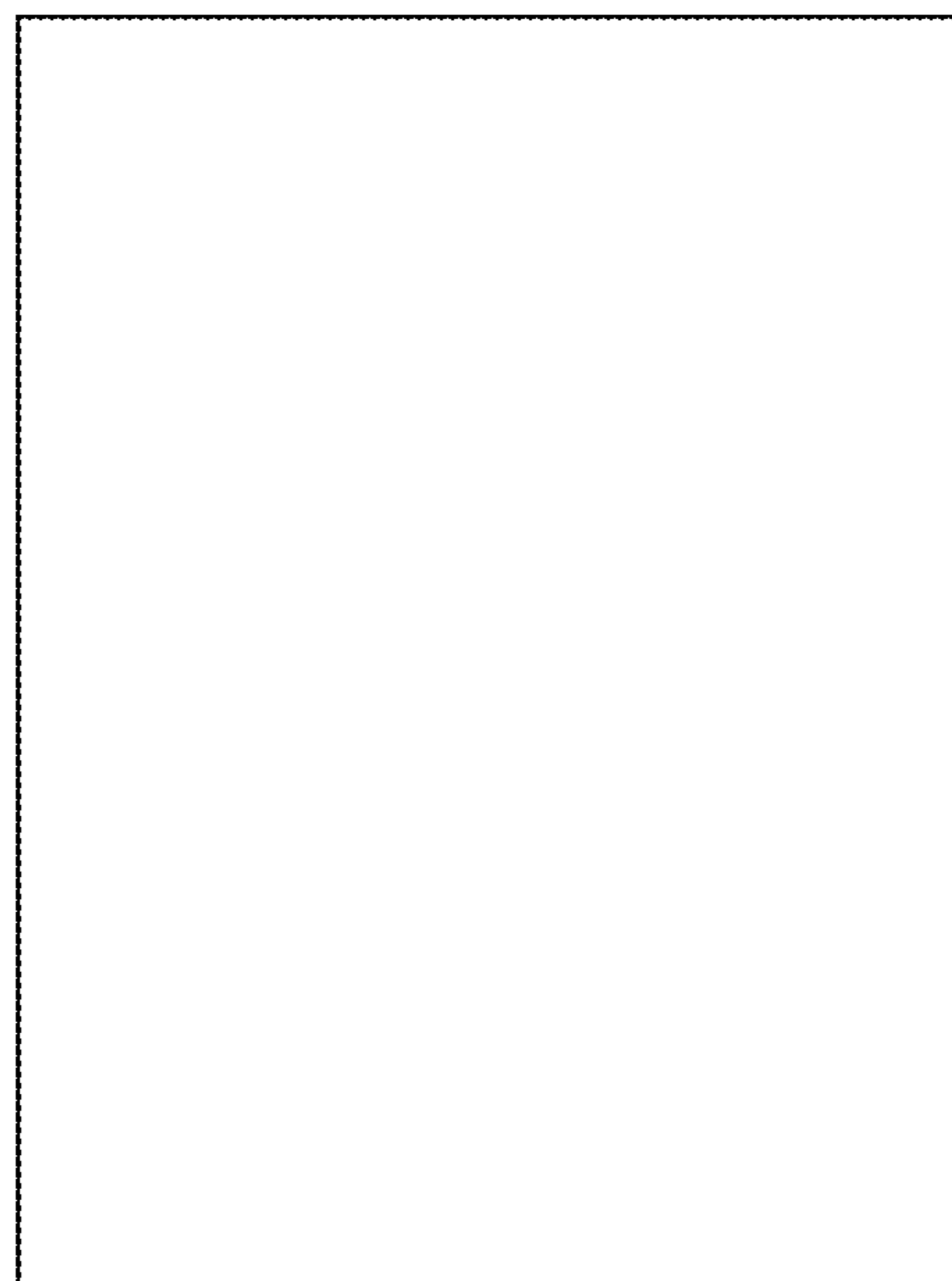


FIG. 7

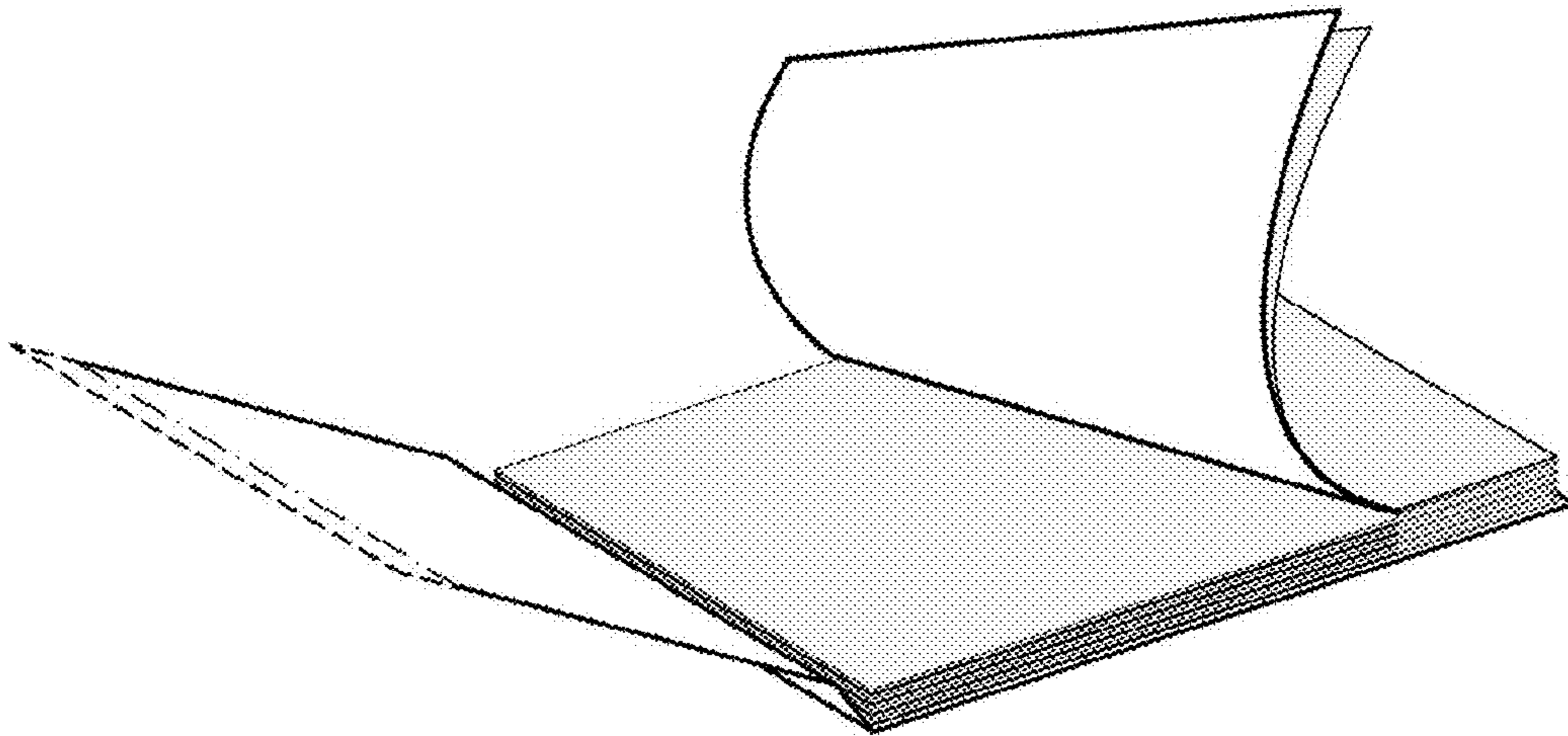


FIG.8

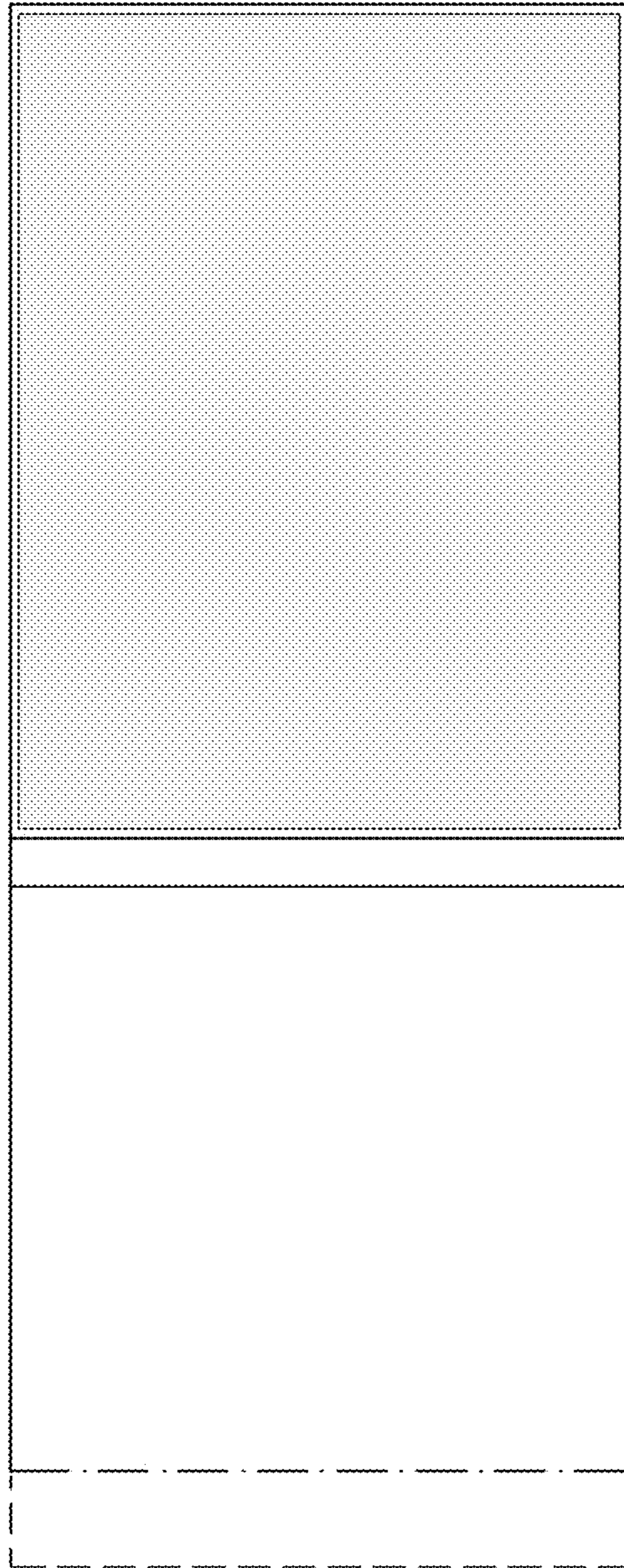


FIG.9



FIG.10

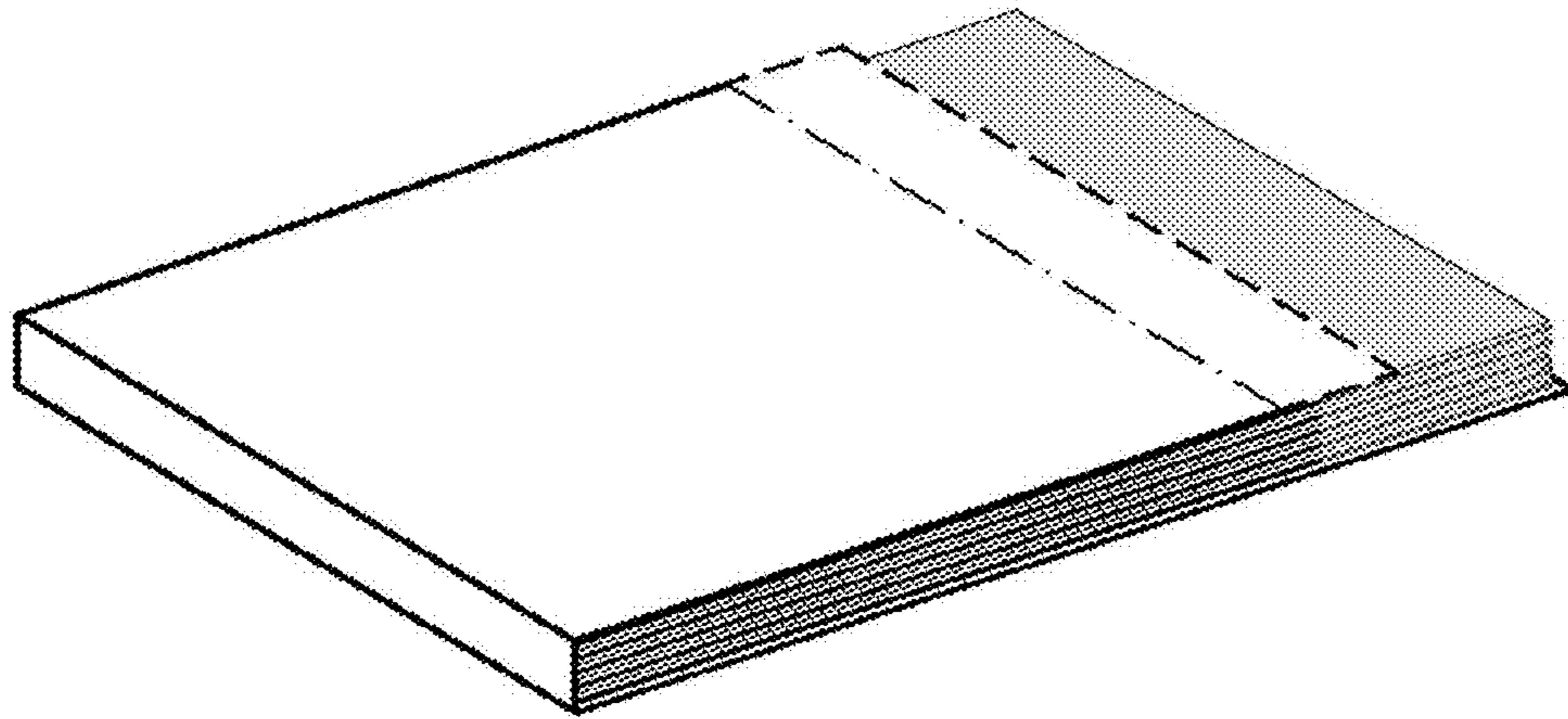


FIG.11



FIG. 12



FIG. 13



FIG. 14



FIG. 15

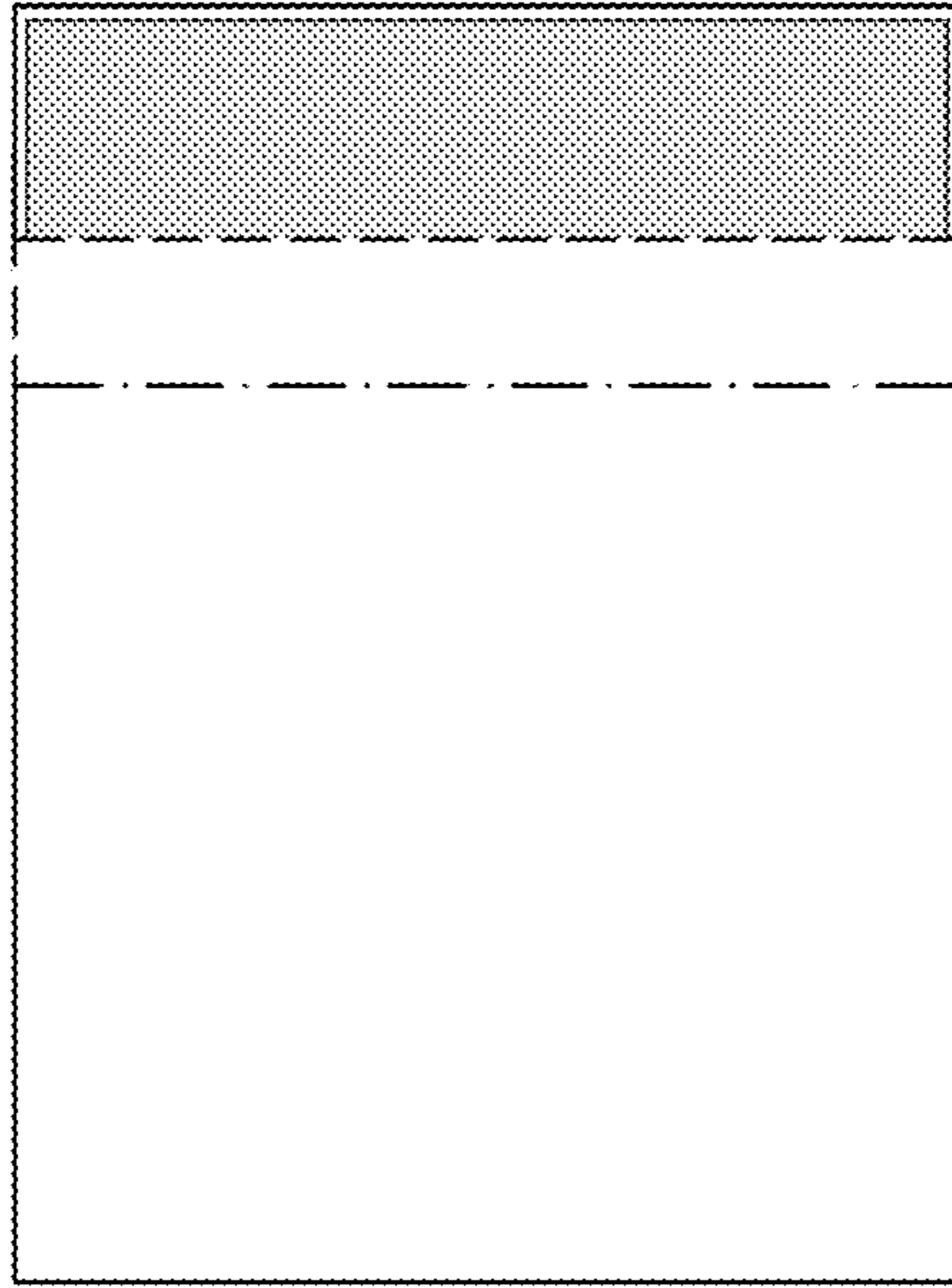


FIG.16

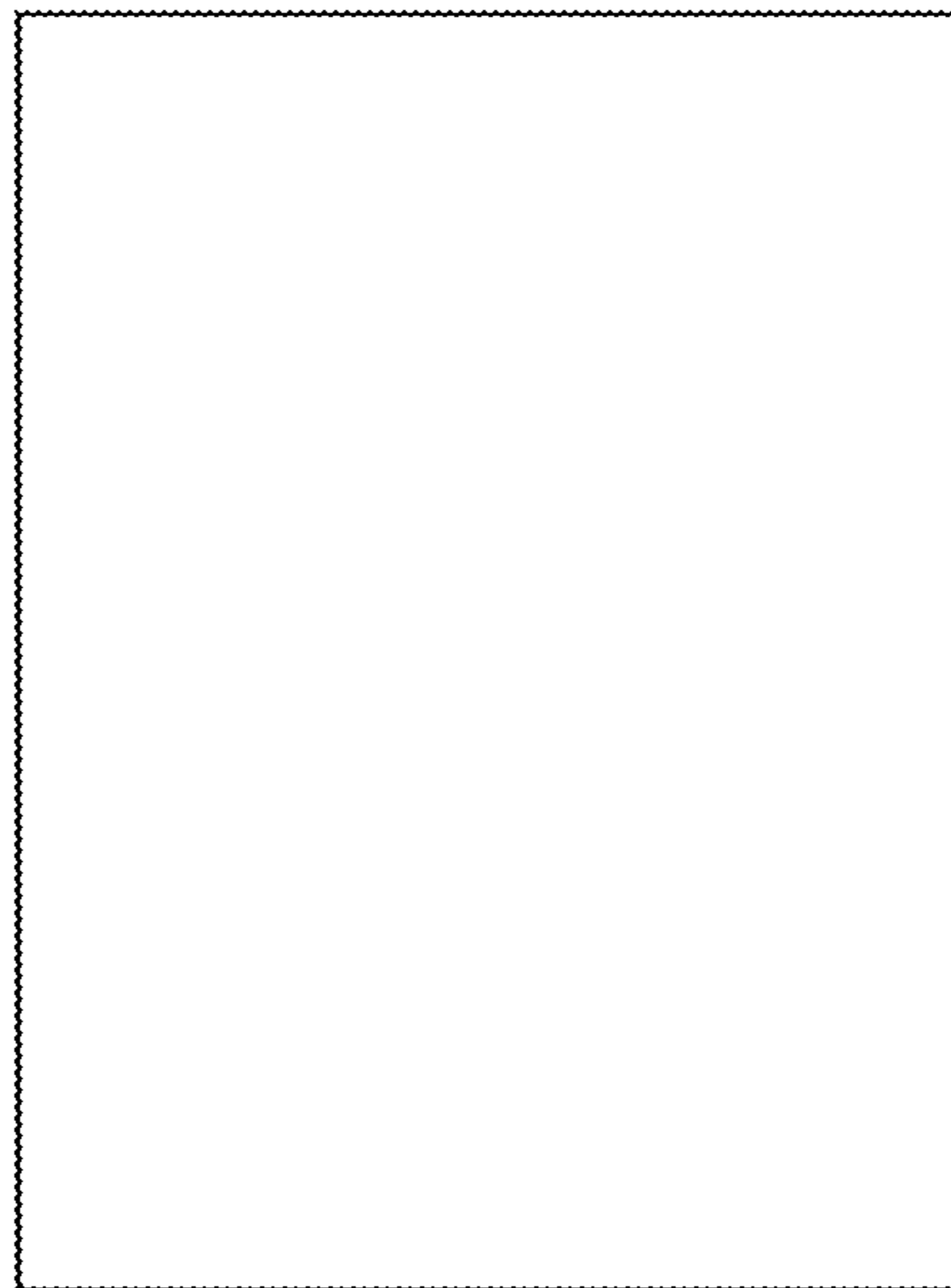


FIG.17

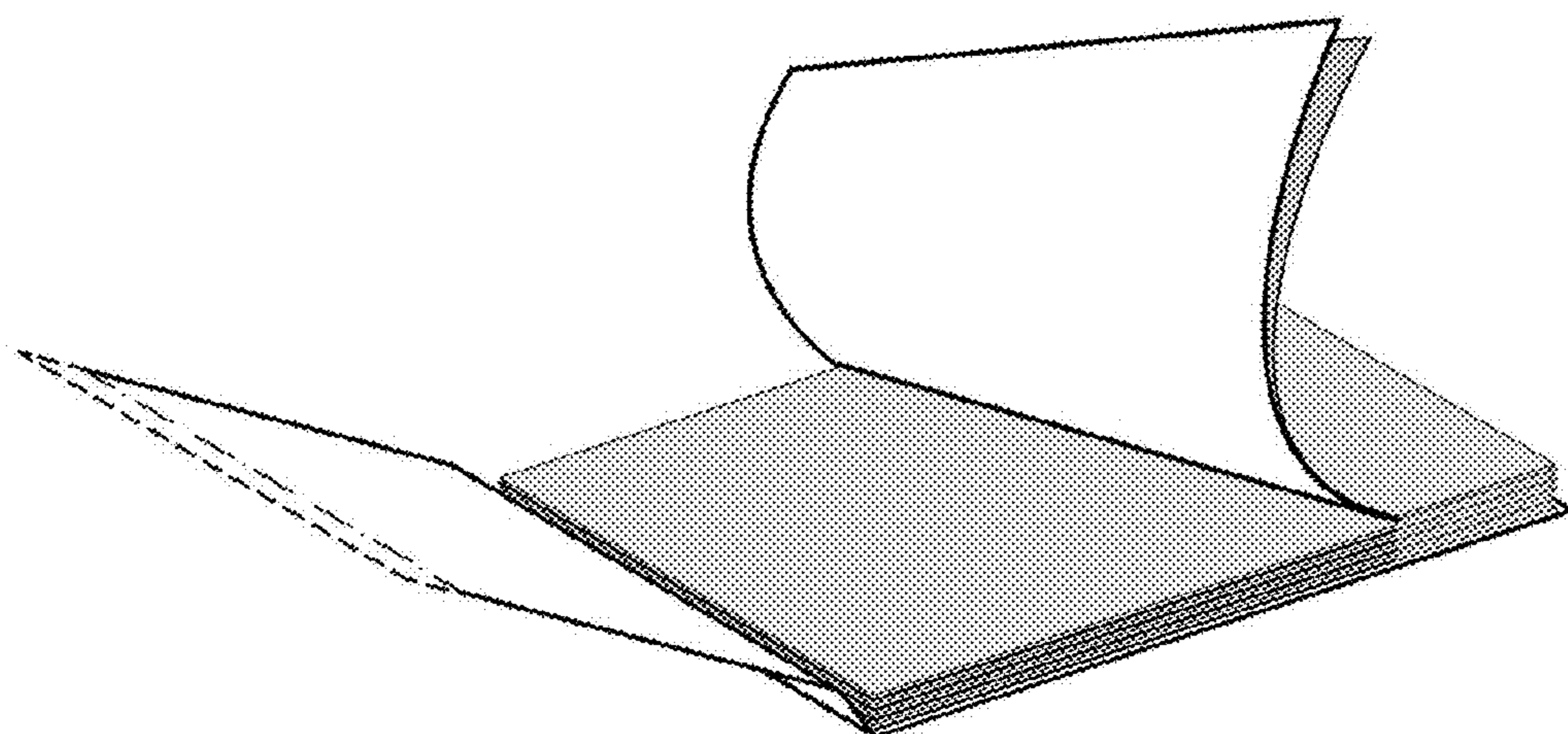


FIG.18

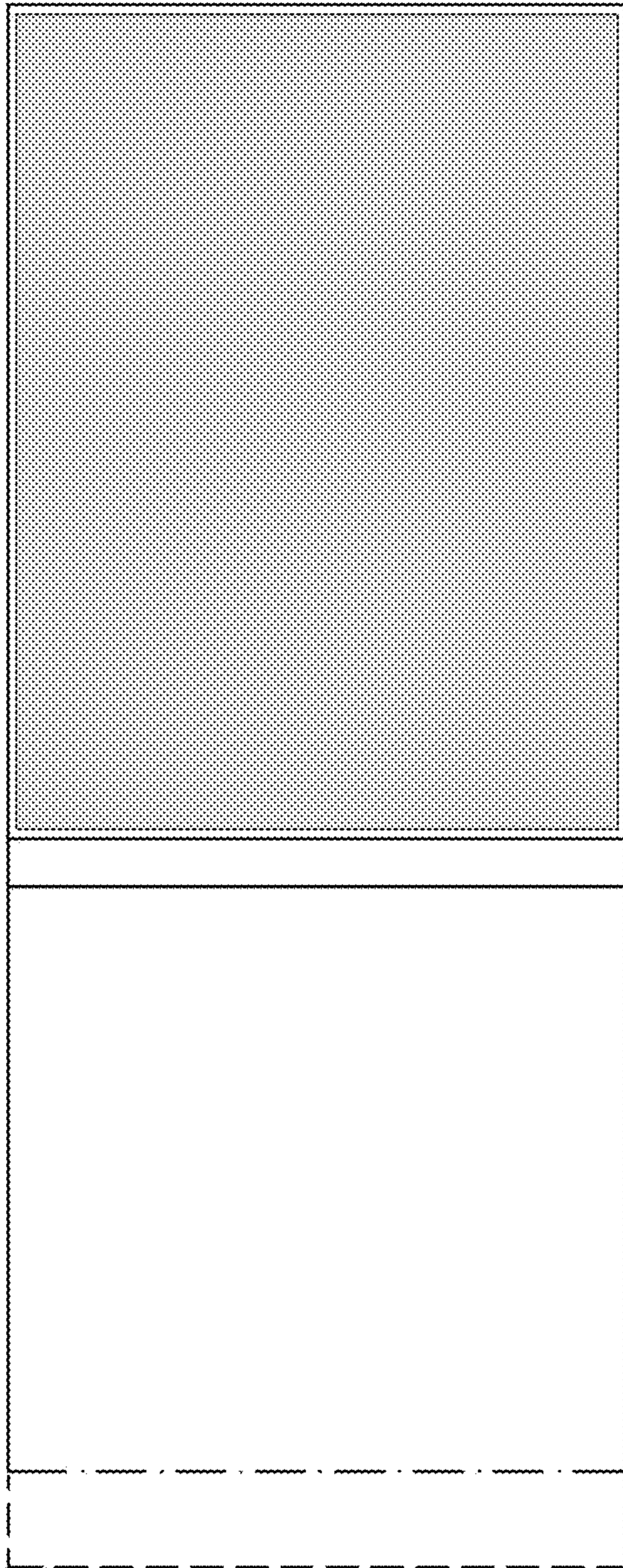


FIG. 19



FIG. 20

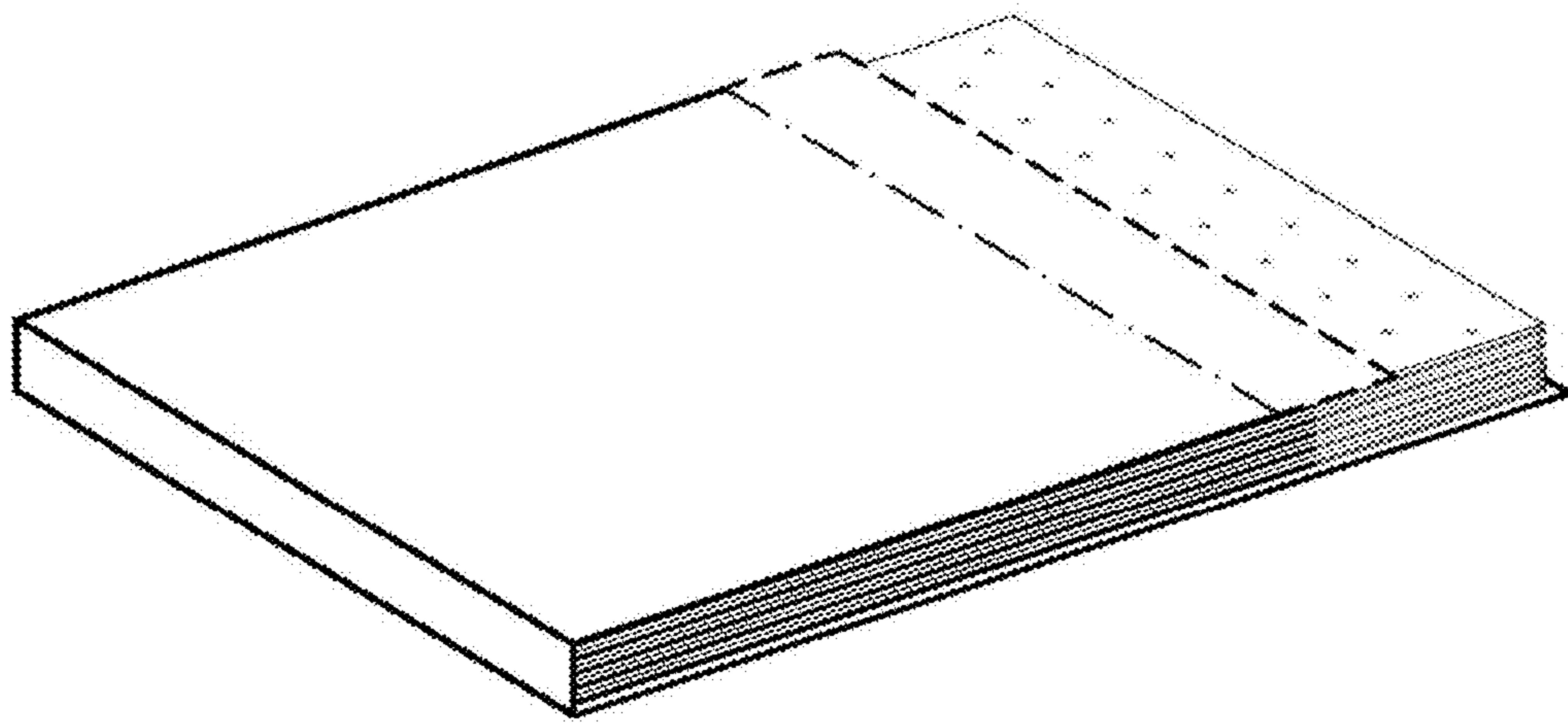


FIG.21



FIG. 22



FIG. 23



FIG. 24



FIG. 25

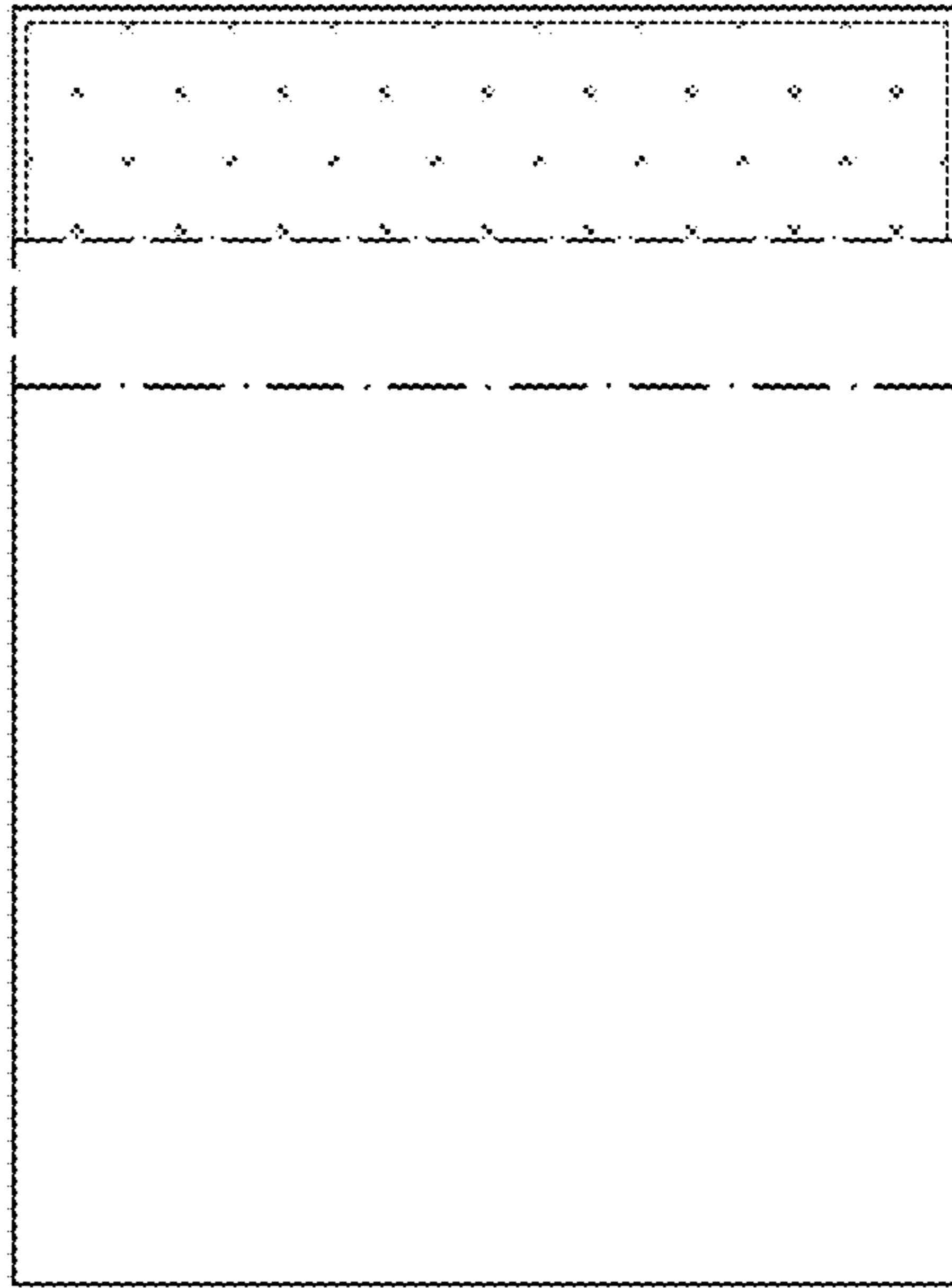


FIG.26



FIG.27

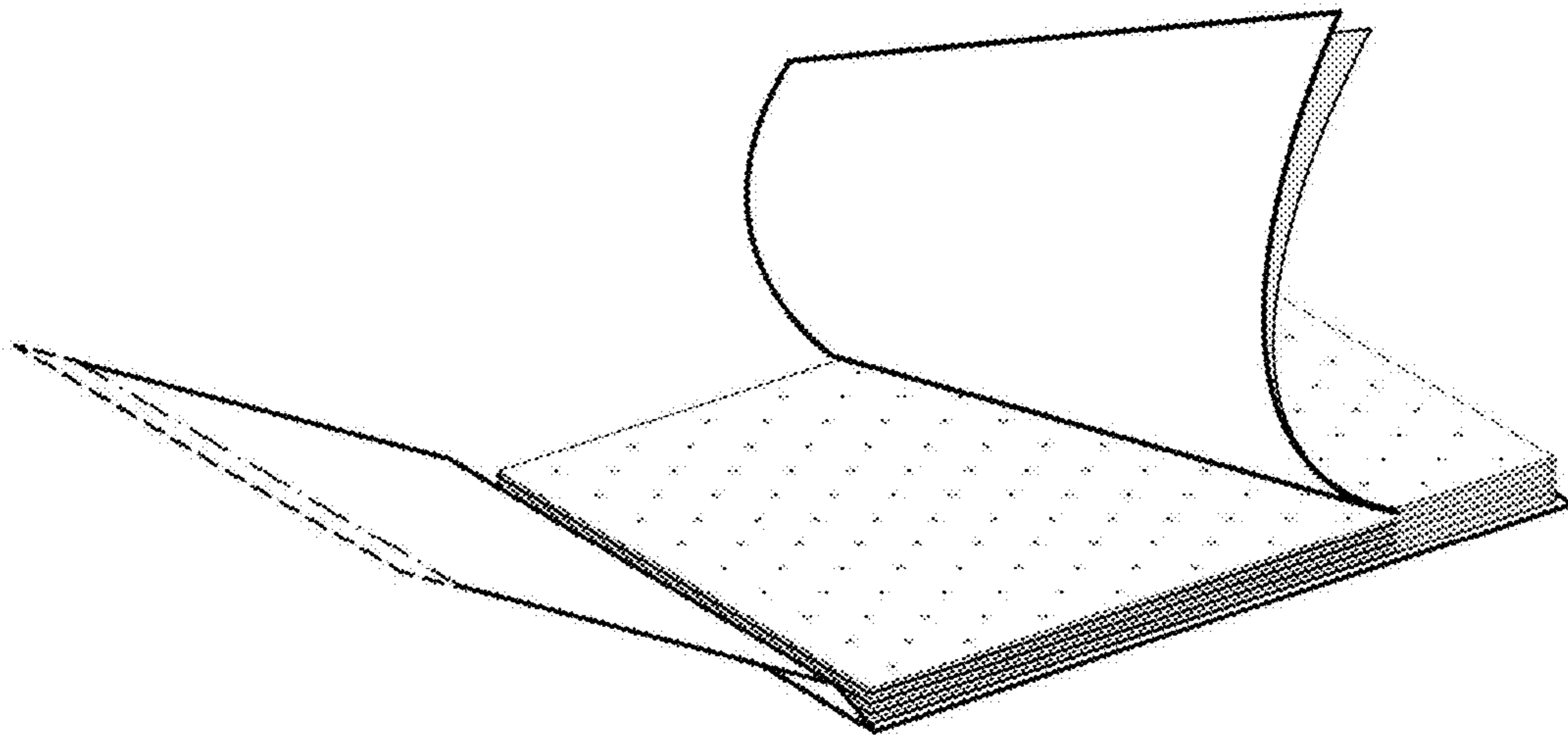


FIG.28

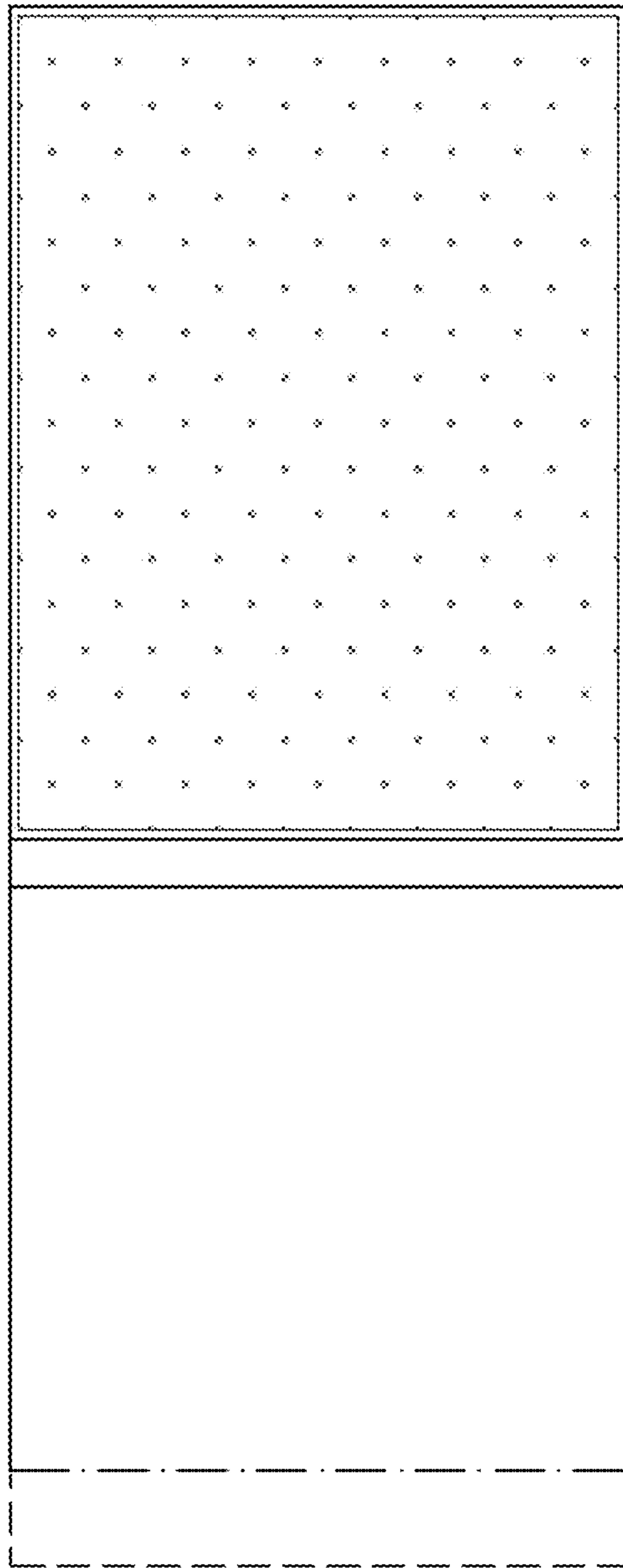


FIG. 29



FIG. 30