



US00D860307S

(12) **United States Design Patent**  
**Wang et al.**

(10) **Patent No.:** **US D860,307 S**  
(45) **Date of Patent:** **\*\* Sep. 17, 2019**

- (54) **TERMINAL**
- (71) Applicant: **Quanta Computer Inc.**, Taoyuan (TW)
- (72) Inventors: **Hung-Tse Wang**, Taoyuan (TW);  
**Chang-Ta Miao**, Taoyuan (TW);  
**Gwo-Chyuan Chen**, Taoyuan (TW);  
**Chih-Kang Ting**, Taoyuan (TW)
- (73) Assignee: **QUANTA COMPUTER INC.**,  
Guishan Dist., Taoyuan (TW)

(\*\*) Term: **15 Years**

(21) Appl. No.: **29/636,376**

(22) Filed: **Feb. 8, 2018**

(30) **Foreign Application Priority Data**

Jan. 15, 2018 (TW) ..... 107300262

(51) **LOC (12) Cl.** ..... **18-01**

(52) **U.S. Cl.**  
USPC ..... **D18/4.6; D14/385**

(58) **Field of Classification Search**  
USPC ... D18/4.4, 4.5, 4.6, 2, 11, 4, 19-21, 50, 54,  
D18/99; D14/338, 339, 341, 383, 385,  
D14/386, 388, 426, 453-455, 496, 137,  
D14/138 R, 138 G, 154, 168, 218, 248,  
D14/299, 900, 901, 902; D10/46, 61, 62,  
D10/70, 104.1, 104.2, 106.2, 106.6, 65,  
D10/66; D20/1; D13/168  
CPC ..... H04W 8/22; H04W 52/0225; H04W  
52/0254; G07F 7/088; G07F 7/0873;  
G07F 7/0886; G07F 7/0893; G07F  
7/1025; G07F 7/1041; G07G 1/0009;  
G07G 1/0018; G06F 1/1626  
See application file for complete search history.

(56) **References Cited**

**U.S. PATENT DOCUMENTS**

D273,788 S \* 5/1984 Ault ..... D14/455  
D469,761 S \* 2/2003 Nussberger ..... D14/385

D622,692 S \* 8/2010 McWilliam ..... D14/138 G  
D624,115 S \* 9/2010 Ausems ..... G07F 7/0886  
D18/4.6  
D626,550 S \* 11/2010 Julien ..... D14/341  
D638,012 S \* 5/2011 Tian ..... D18/4.6  
D643,034 S \* 8/2011 Tasselli ..... D14/347  
D659,565 S \* 5/2012 Bowman ..... D10/65  
D665,371 S \* 8/2012 Finney ..... D14/138 G  
D670,255 S \* 11/2012 Clark ..... D13/168  
D672,386 S \* 12/2012 Matunuma ..... D18/4.6  
D681,036 S \* 4/2013 Taunay da Graca Couto .....  
D14/385  
D684,574 S \* 6/2013 Taunay da Graca Couto .....  
D14/385

(Continued)

**OTHER PUBLICATIONS**

Mobile. (Design—© Questel) orbit.com.[online PDF] 7 pgs. Print Date May. 26, 2014. [Retrieved on Jan. 4, 2019] <https://sobjprd.questel.fr/export/QPTUJ214/pdf2/0b5cde6d-49b6-47f9-81f0-1a5905eb963f-184917.pdf>\*

*Primary Examiner* — Marie D. Fast Horse  
(74) *Attorney, Agent, or Firm* — McClure, Qualey & Rodack, LLP

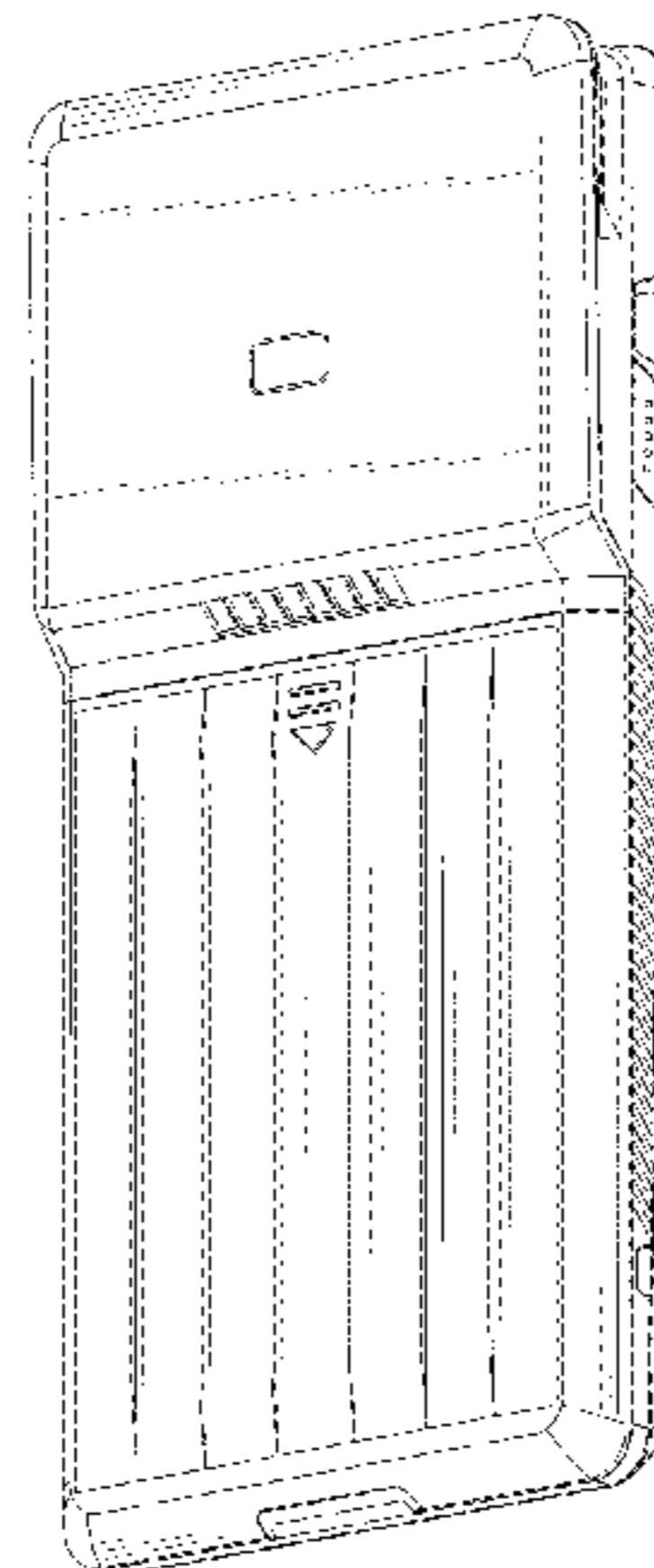
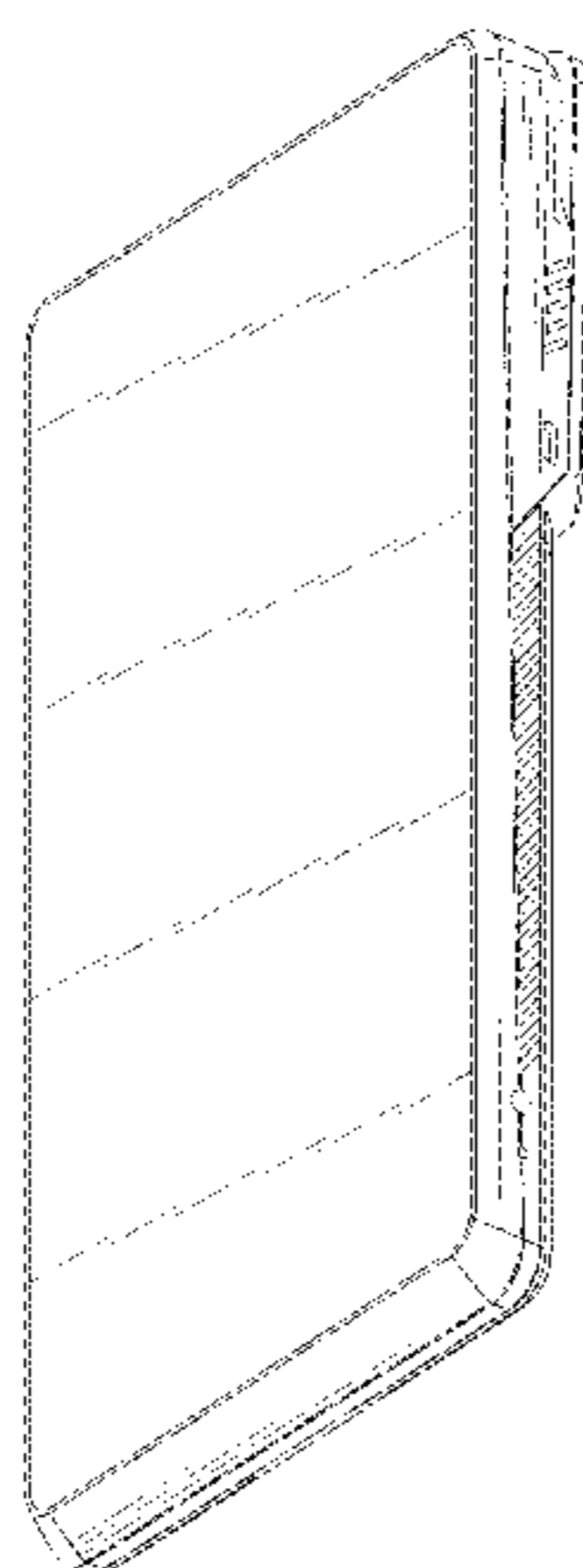
(57) **CLAIM**

The ornamental design for a terminal, as shown and described.

**DESCRIPTION**

FIG. 1 is a front perspective view of a terminal, in accordance with our new and ornamental design;  
FIG. 2 is a front view thereof;  
FIG. 3 is a rear view thereof;  
FIG. 4 is a left side view thereof;  
FIG. 5 is a right side view thereof;  
FIG. 6 is a top plan view thereof;  
FIG. 7 is a bottom plan view thereof; and,  
FIG. 8 is a rear perspective view thereof.  
The broken lines in the drawings depict portions of the terminal that form no part of the claimed design.

**1 Claim, 6 Drawing Sheets**



(56)

## References Cited

## U.S. PATENT DOCUMENTS

D703,670 S \* 4/2014 Rotsaert ..... D14/385  
D705,346 S \* 5/2014 Blacken ..... D18/14  
D706,337 S \* 6/2014 Blacken ..... D18/14  
D707,676 S \* 6/2014 Azuma ..... D14/385  
D707,677 S \* 6/2014 Azuma ..... D14/385  
D724,582 S \* 3/2015 Kim ..... D14/341  
D725,109 S \* 3/2015 Azuma ..... D14/385  
D727,902 S \* 4/2015 Saulnier, III ..... D14/385  
D752,460 S \* 3/2016 Gnauck ..... D10/78  
D754,650 S \* 4/2016 Curtis ..... D14/250  
9,323,961 B2 \* 4/2016 Azuma ..... G06F 1/1626  
D759,748 S \* 6/2016 Beatty ..... D18/14  
D762,766 S \* 8/2016 Bedier ..... D18/4.4  
D764,458 S \* 8/2016 Jobetto ..... D14/341  
D771,033 S \* 11/2016 Jobetto ..... D14/341  
D771,181 S \* 11/2016 Jung ..... D18/50  
D788,106 S \* 5/2017 Lin ..... D14/356  
D790,536 S \* 6/2017 Kitade ..... D14/341  
9,721,439 B2 \* 8/2017 Tanaka ..... G07G 1/0018  
D798,378 S \* 9/2017 Kim ..... D18/4.6  
D806,158 S \* 12/2017 Yaginuma ..... D18/4.6  
D813,228 S \* 3/2018 Wall ..... D14/341  
D841,648 S \* 2/2019 Rotsaert ..... D14/385  
D844,047 S \* 3/2019 Yeruva ..... D18/4.6  
D844,607 S \* 4/2019 Fredette ..... D18/4.6  
2014/0347000 A1 \* 11/2014 Hamann ..... G06F 1/1626  
320/103  
2015/0278557 A1 \* 10/2015 Yasutomi ..... G07F 7/088  
361/679.3  
2016/0335037 A1 \* 11/2016 Baranowski ..... G07G 1/0018  
2017/0061746 A1 \* 3/2017 Tanaka ..... G07G 1/0018  
2018/0068300 A1 \* 3/2018 Saeed ..... G07G 1/0018  
2018/0150838 A1 \* 5/2018 Ausems ..... G07F 7/0886

\* cited by examiner

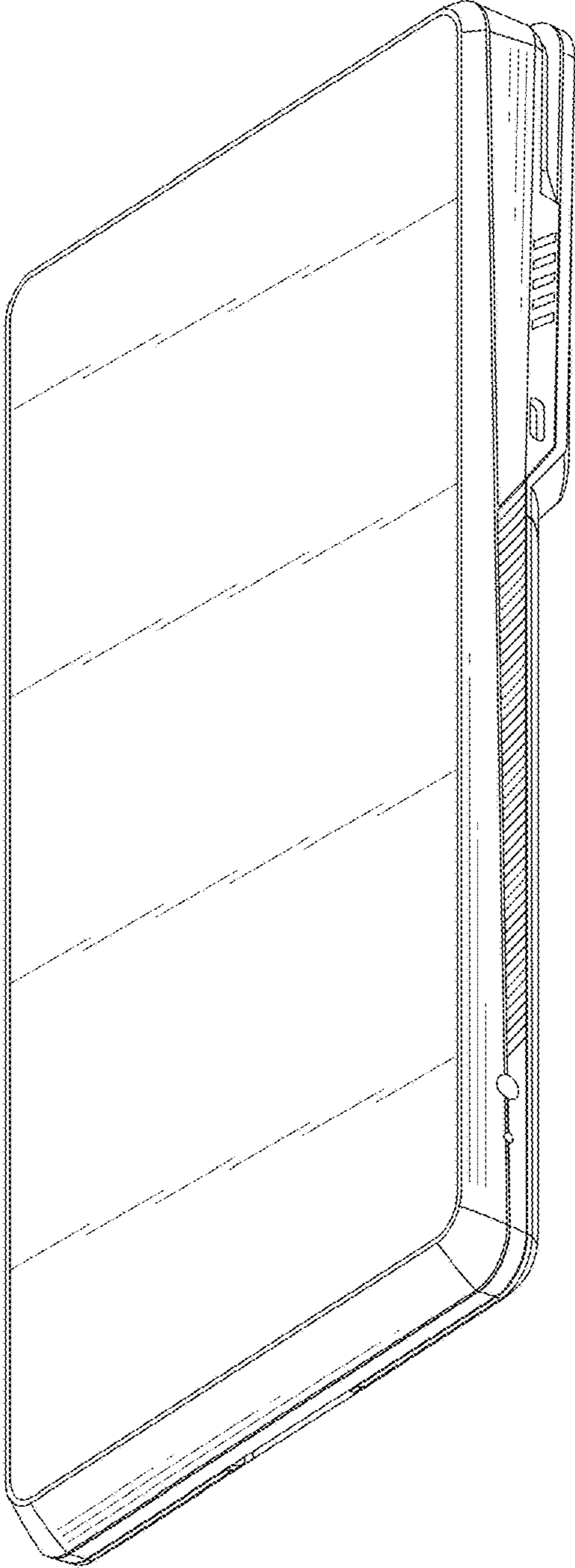


FIG. 1

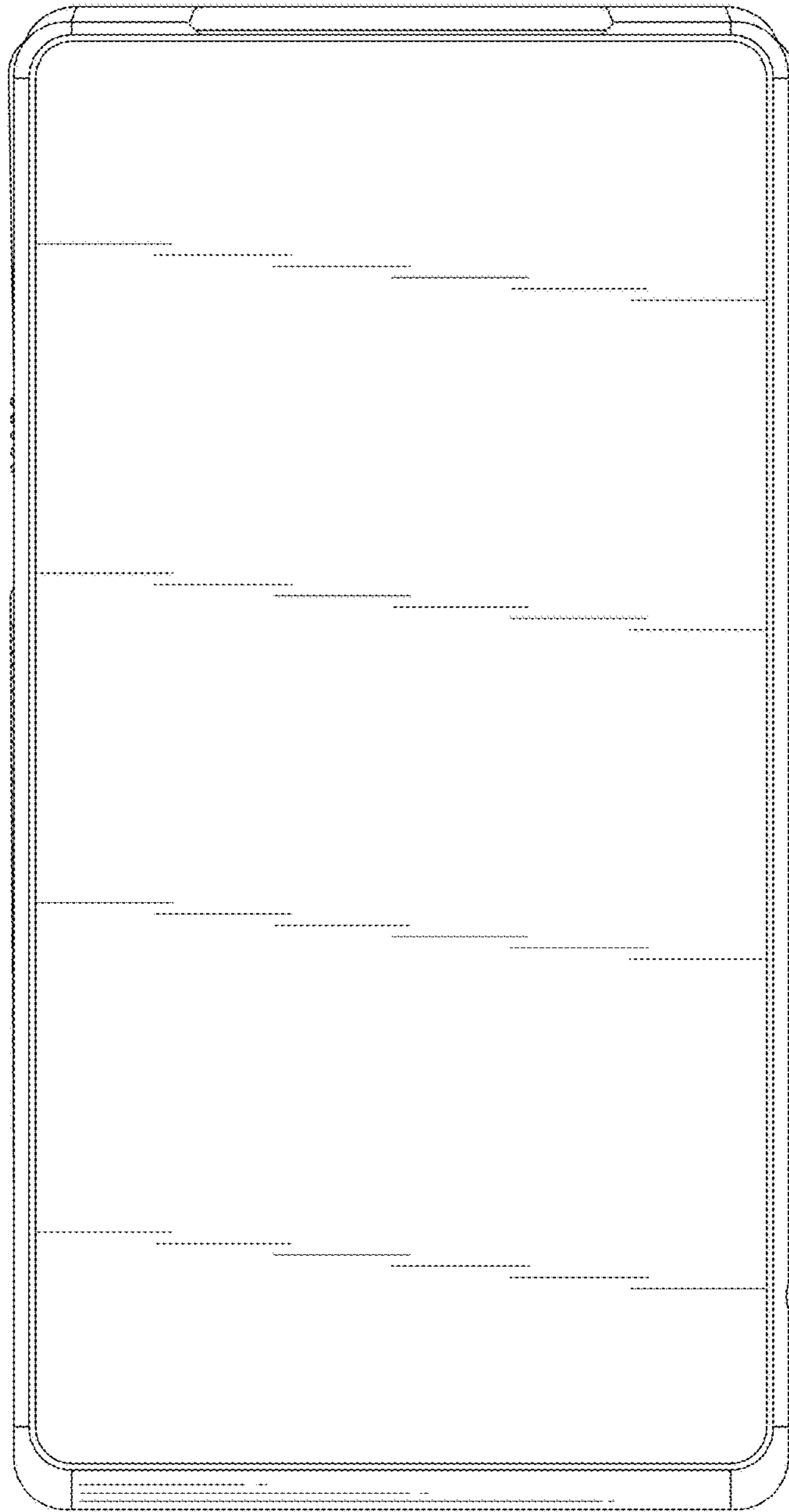


FIG. 2



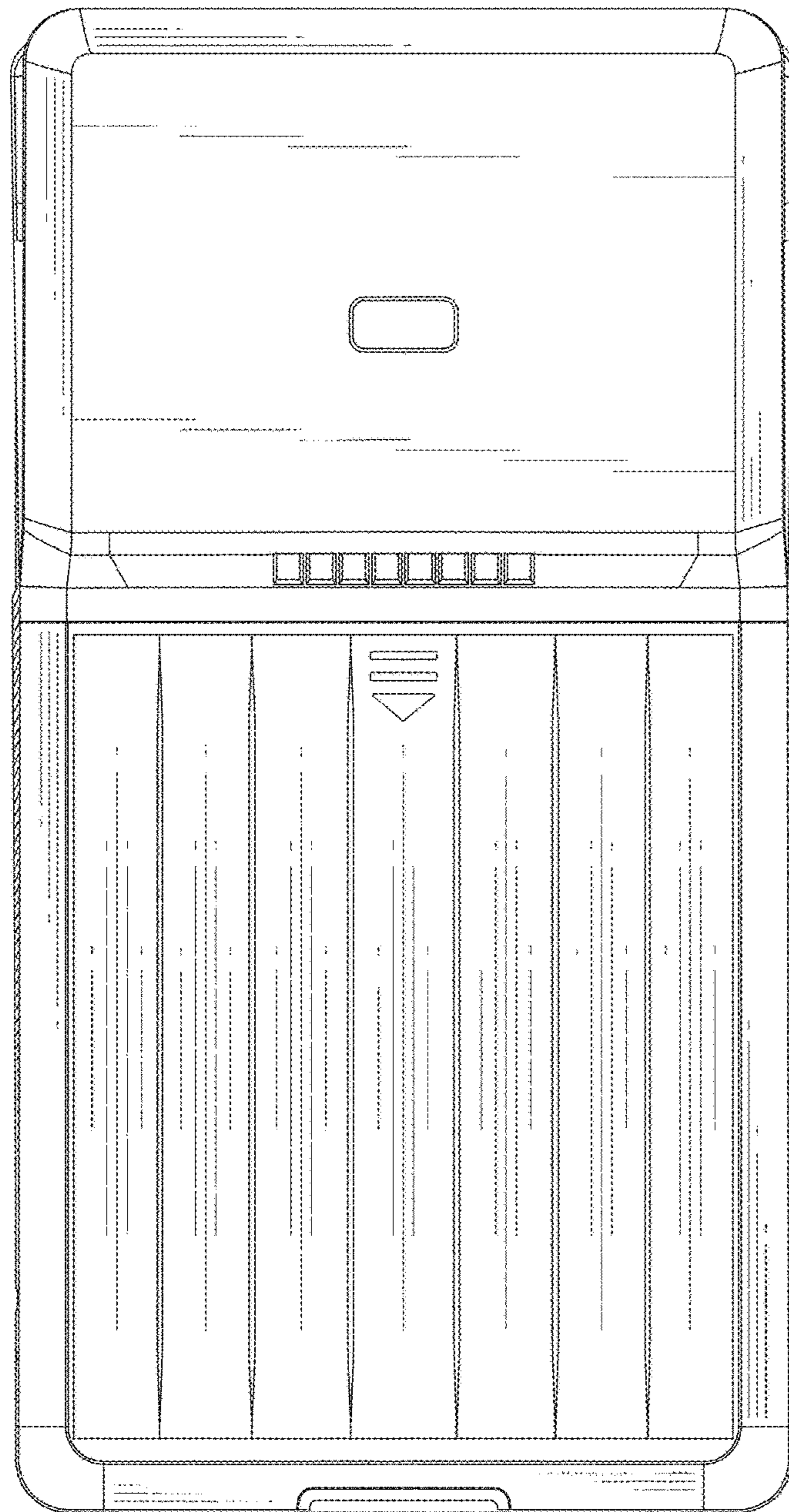


FIG. 3

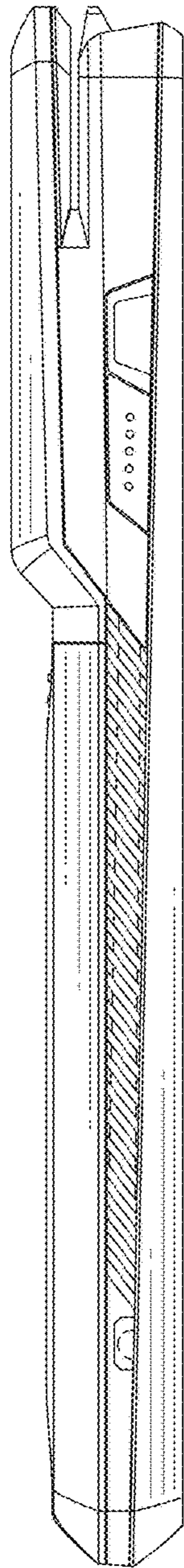


FIG. 4

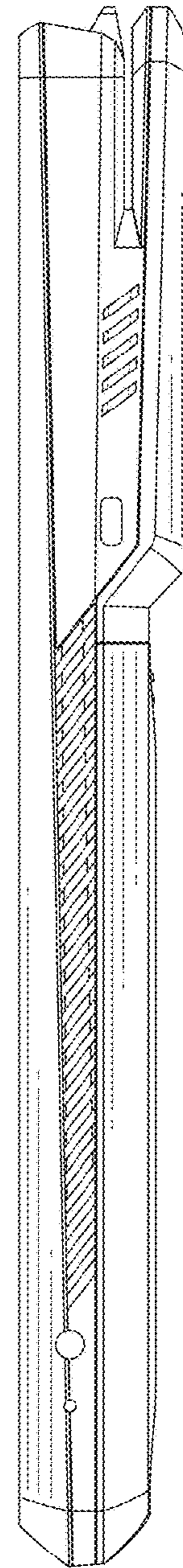


FIG. 5

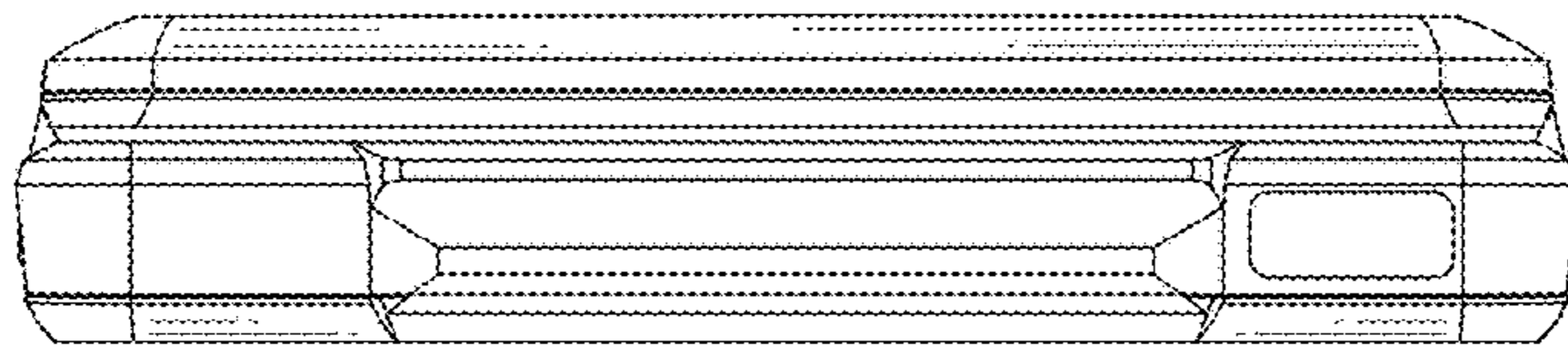


FIG. 6

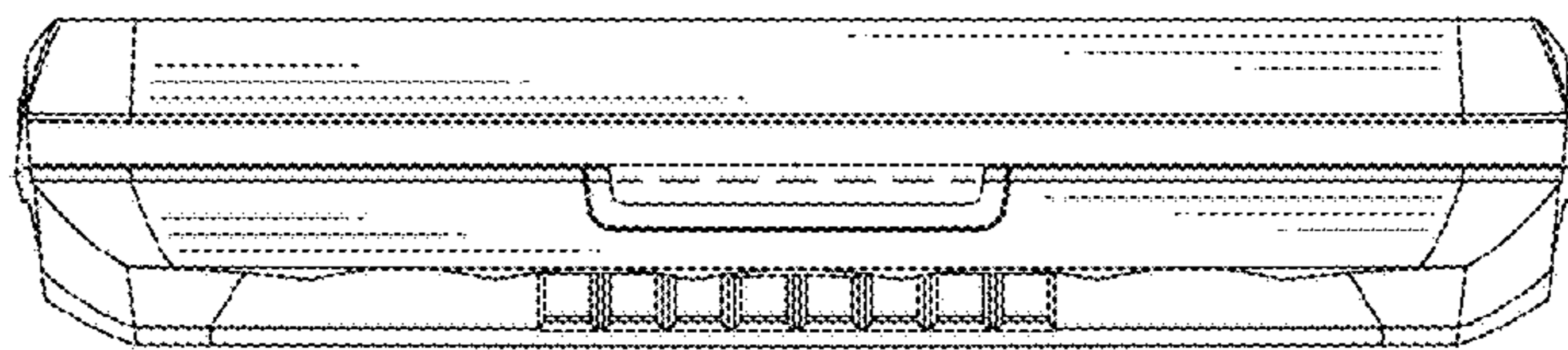


FIG. 7

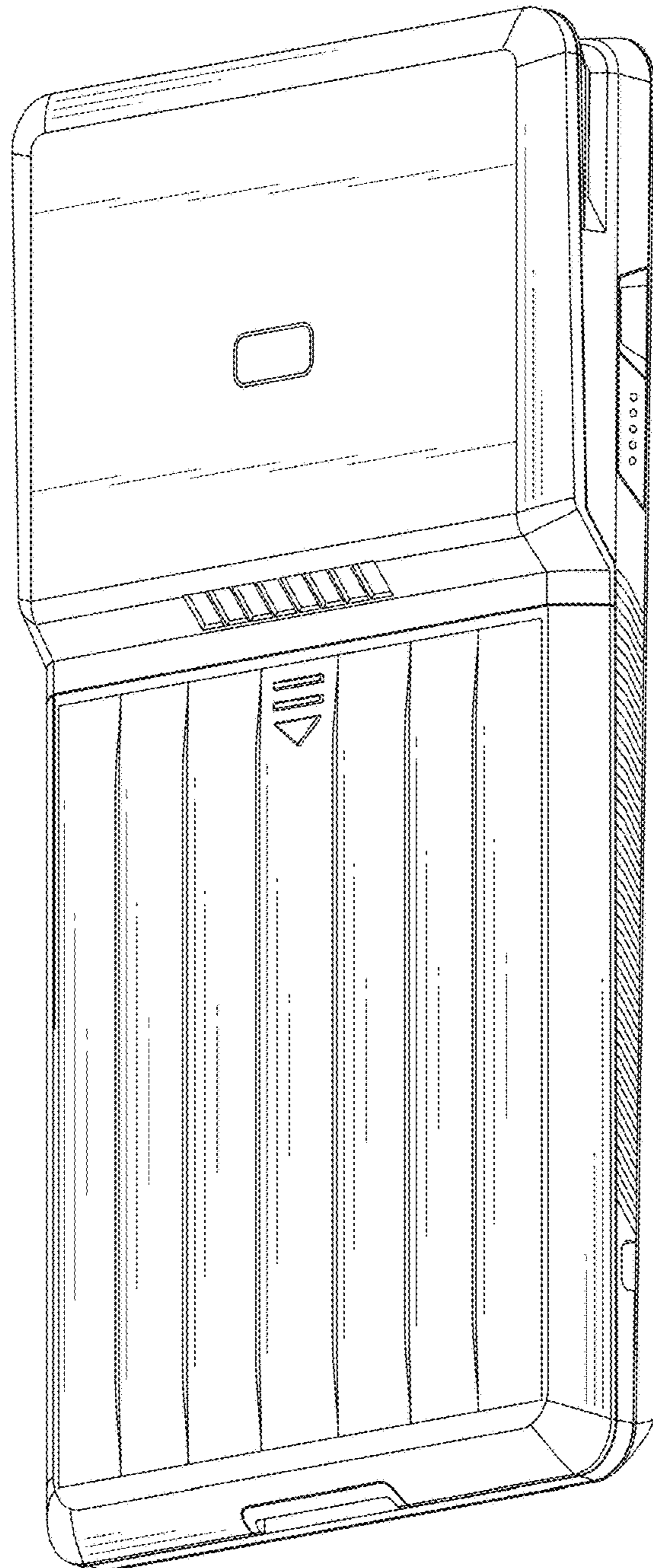


FIG. 8