

US00D860301S

(12) **United States Design Patent**
Chen et al.

(10) **Patent No.:** **US D860,301 S**
(45) **Date of Patent:** **** Sep. 17, 2019**

(54) **SMART GLASSES**

(71) Applicant: **LENOVO (BEIJING) CO., LTD.**,
Beijing (CN)

(72) Inventors: **Jianyu Chen**, Beijing (CN); **Lin Xie**,
Beijing (CN)

(73) Assignee: **Lenovo (Beijing) Co., Ltd.**, Beijing
(CN)

(**) Term: **15 Years**

(21) Appl. No.: **29/626,636**

(22) Filed: **Nov. 17, 2017**

(30) **Foreign Application Priority Data**

Jul. 19, 2017 (CN) 2017 3 0321060

(51) **LOC (12) Cl.** **16-06**

(52) **U.S. Cl.**
USPC **D16/312**

(58) **Field of Classification Search**

USPC D16/101, 300–342, 900; D29/109–110;
D21/483, 659–661; D14/372
CPC G02C 2200/08; G02C 1/06; G02C 5/14;
G02C 11/02; G02C 11/04; G02C 5/16;
G02C 2200/22; G02C 5/146; G02C
5/2254; G02C 5/008; G01C 5/16; A61M
2021/0044; A63B 33/002; G02B 27/2228

See application file for complete search history.

(56) **References Cited**

U.S. PATENT DOCUMENTS

3,458,866 A * 8/1969 de Man G02C 5/008
16/228
4,689,838 A * 9/1987 Angermann G02C 1/08
2/436
4,877,320 A * 10/1989 Holden A61F 9/02
351/44

5,532,767 A * 7/1996 Pleune G02C 3/003
351/118
D729,303 S * 5/2015 Laperriere D16/326
D736,303 S * 8/2015 Yu D16/309

(Continued)

OTHER PUBLICATIONS

Star Wars: AR Device, reviewed 2018, [online], [site visited Apr. 9, 2019]. Available from Internet, <URL: <https://www.lenovo.com/us/en/virtual-reality-and-smart-devices/virtual-and-augmented-reality/star-wars%3A-jedi-challenges/Lenovo-AR-7561/p/ZA390000US?gclid=CjwKCAjwhbHIBRAMEiwAoDA345qzkhPnmPljT>> (Year: 2018).*

Primary Examiner — Michelle E. Wilson

Assistant Examiner — Sanjeev Paul

(74) *Attorney, Agent, or Firm* — Oppedahl Patent Law Firm LLC

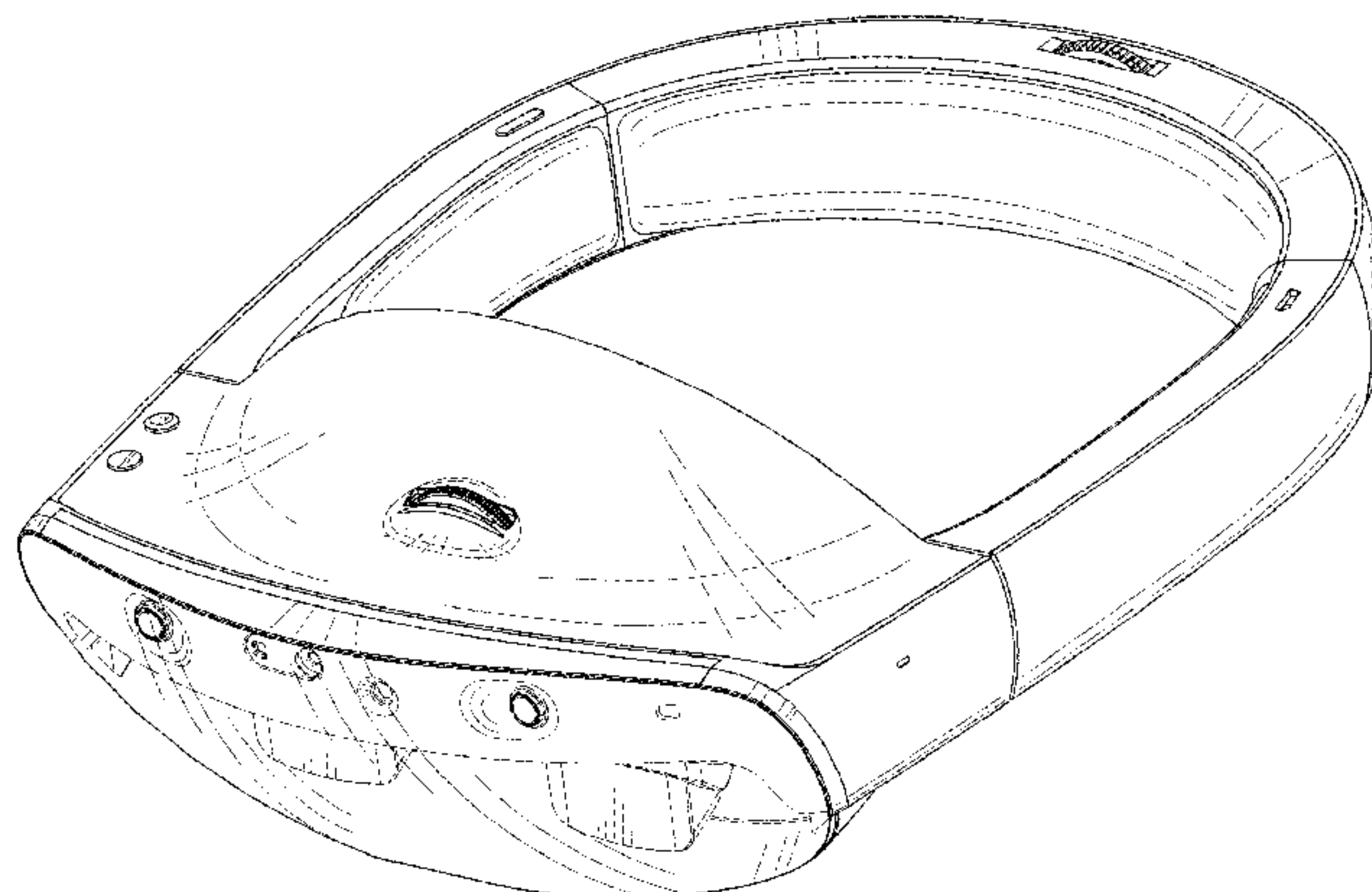
(57) **CLAIM**

The ornamental design for smart glasses, as shown and described.

DESCRIPTION

FIG. 1 is a front view of smart glasses showing the new design in a first embodiment.
FIG. 2 is a back view thereof.
FIG. 3 is a left side view thereof.
FIG. 4 is a right side view thereof.
FIG. 5 is a top view thereof.
FIG. 6 is a bottom view thereof.
FIG. 7 is a perspective view thereof.
FIG. 8 is a front view of smart glasses showing the new design in a second embodiment.
FIG. 9 is a back view thereof.
FIG. 10 is a left side view thereof.
FIG. 11 is a right side view thereof.
FIG. 12 is a top view thereof.
FIG. 13 is a bottom view thereof; and,
FIG. 14 is a perspective view thereof.

(Continued)



The broken lines shown in the drawings illustrate portions of the smart glasses that form no part of the claimed design.

1 Claim, 10 Drawing Sheets

(56)

References Cited

U.S. PATENT DOCUMENTS

D741,323 S * 10/2015 Bosveld D14/372
 D771,176 S * 11/2016 Liu D16/300
 D771,736 S * 11/2016 Nuovo D16/312
 D773,552 S * 12/2016 Champ D16/312
 D776,110 S * 1/2017 Gribetz D14/372
 D784,441 S * 4/2017 Garfias D16/312
 D792,401 S * 7/2017 Tang D14/372
 D798,862 S * 10/2017 Wang D14/372
 D800,726 S * 10/2017 Su D14/372
 D805,071 S * 12/2017 Park D14/372
 D805,122 S * 12/2017 Curbbun D16/325
 D806,074 S * 12/2017 Kuwahara D14/372
 D806,710 S * 1/2018 Chen D14/372
 D807,356 S * 1/2018 Chou D14/372
 D810,081 S * 2/2018 Lin D14/372
 D812,612 S * 3/2018 Gribetz D14/372
 D813,233 S * 3/2018 Lee D14/372
 D816,670 S * 5/2018 Hsu D14/372
 D818,031 S * 5/2018 Garfias D16/314
 D819,634 S * 6/2018 Pang D14/372
 D819,635 S * 6/2018 Miller D14/372
 D819,636 S * 6/2018 Chen D14/372

D820,259 S * 6/2018 Lee D14/372
 D822,659 S * 7/2018 Spio D14/372
 D825,560 S * 8/2018 Gribetz D14/372
 D827,015 S * 8/2018 Chen D16/312
 D827,642 S * 9/2018 Liu D14/372
 D828,866 S * 9/2018 Yoo D16/313
 D831,027 S * 10/2018 Kim D14/372
 D834,017 S * 11/2018 Beynel D14/372
 D834,087 S * 11/2018 Yoo D16/313
 D834,755 S * 11/2018 Schempp D29/110
 D836,628 S * 12/2018 Chen D14/372
 D838,718 S * 1/2019 Chiang D14/372
 D839,269 S * 1/2019 Wang D14/372
 D839,871 S * 2/2019 Wei D14/372
 D840,397 S * 2/2019 Li D14/372
 D840,399 S * 2/2019 Miller D14/372
 D841,078 S * 2/2019 Liao D16/309
 D842,300 S * 3/2019 Chiang D14/372
 D844,605 S * 4/2019 Yeh D14/372
 2005/0270475 A1 * 12/2005 Curci G02C 5/04
 351/69
 2007/0200999 A1 * 8/2007 Lee G02C 11/04
 351/158
 2012/0002158 A1 * 1/2012 Jirsa G02C 1/02
 351/52
 2012/0215291 A1 * 8/2012 Pugh A61M 21/02
 607/93
 2016/0062138 A1 * 3/2016 Coty G02C 5/001
 351/159.75
 2017/0102562 A1 * 4/2017 Ban G06F 3/14
 2018/0107027 A1 * 4/2018 Windham G02C 11/04
 2018/0280656 A1 * 10/2018 Cole A61M 21/00

* cited by examiner

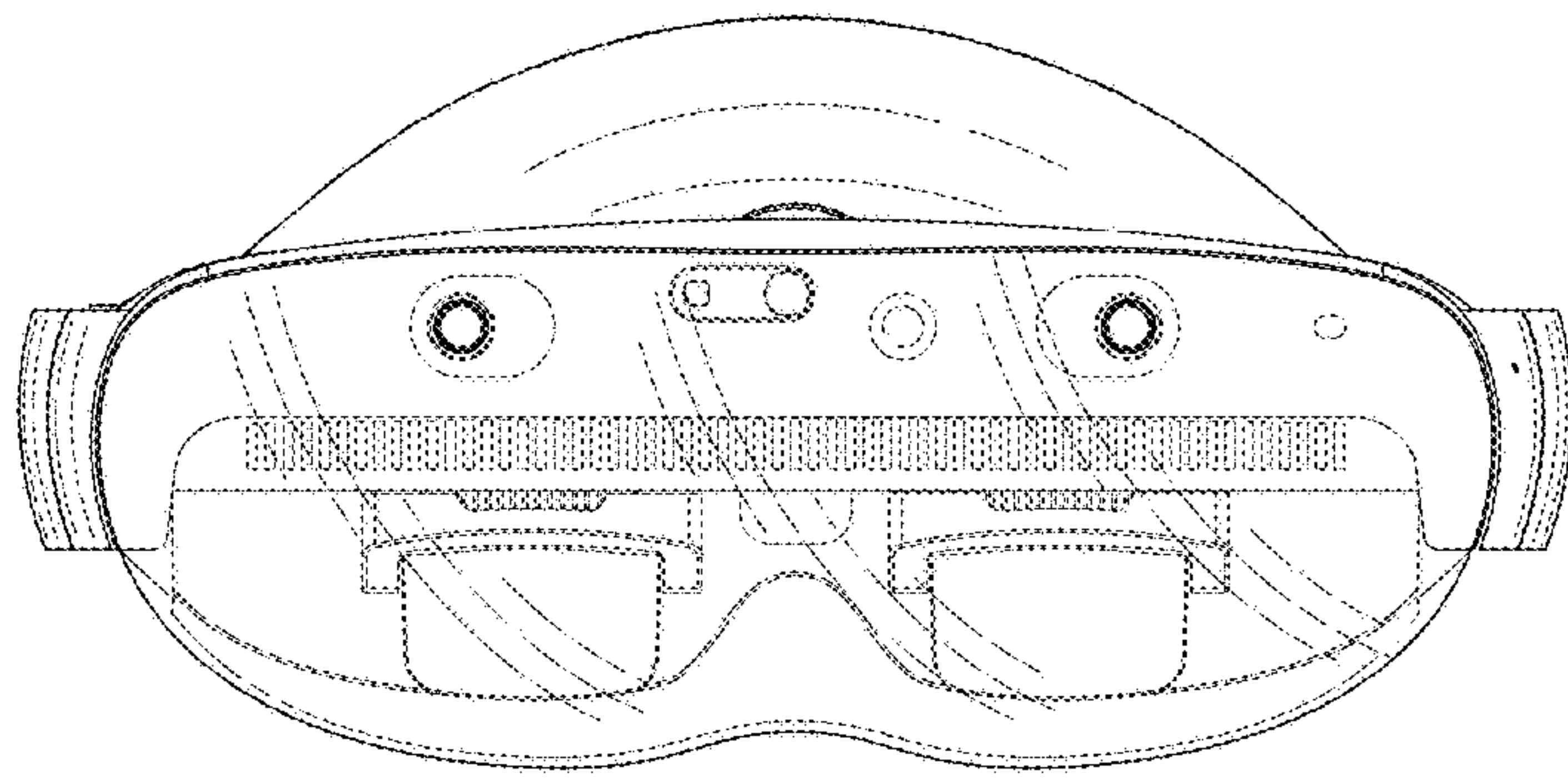


Fig. 1

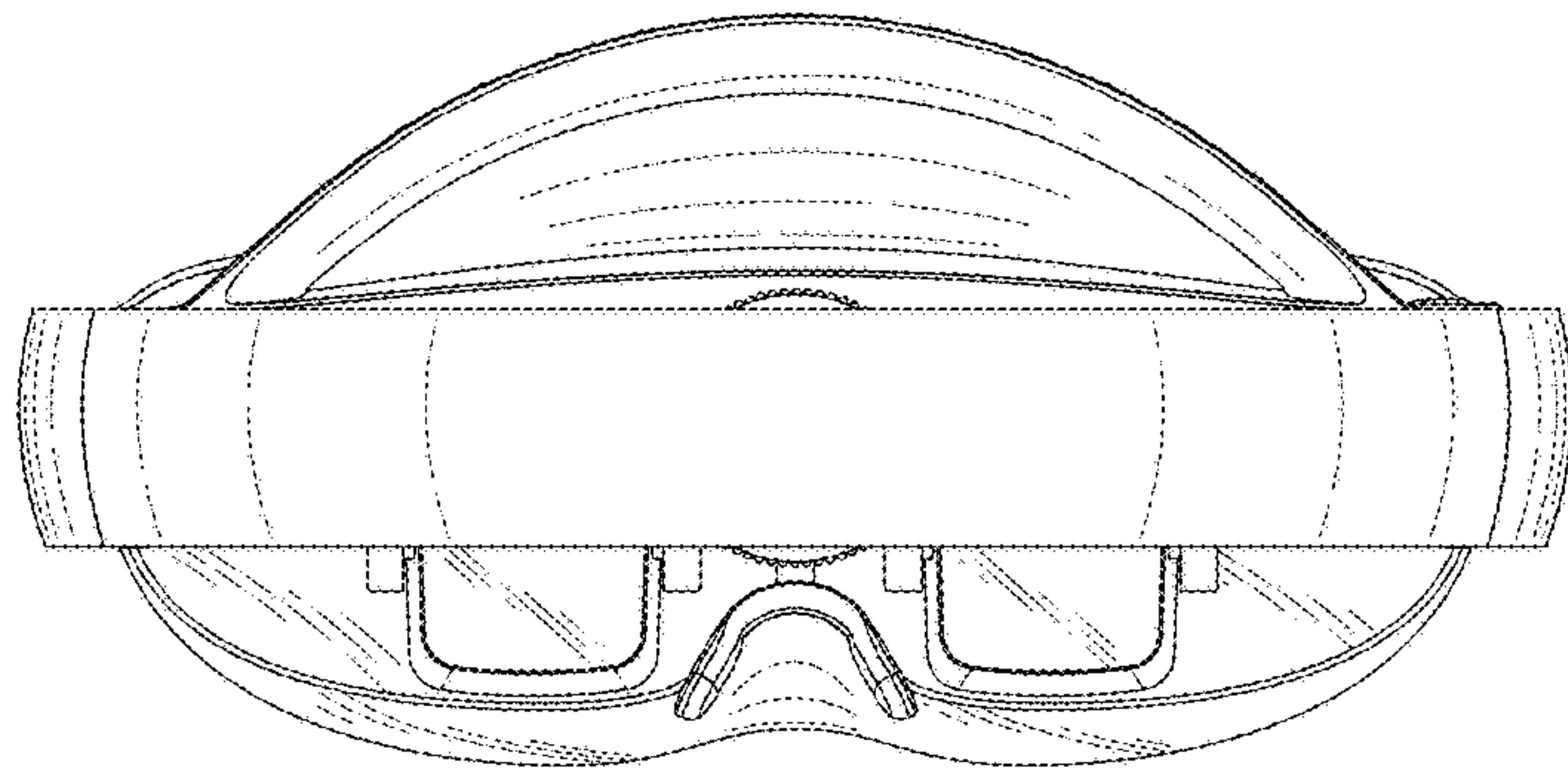


Fig. 2

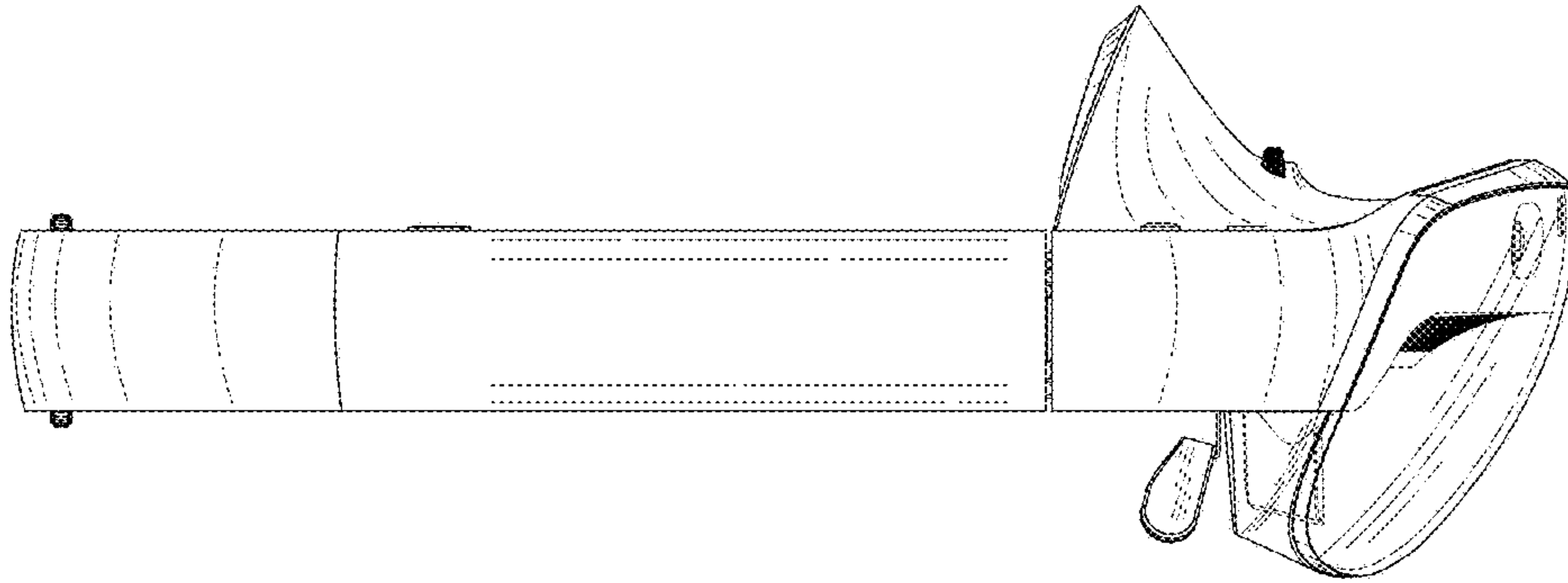


Fig. 3

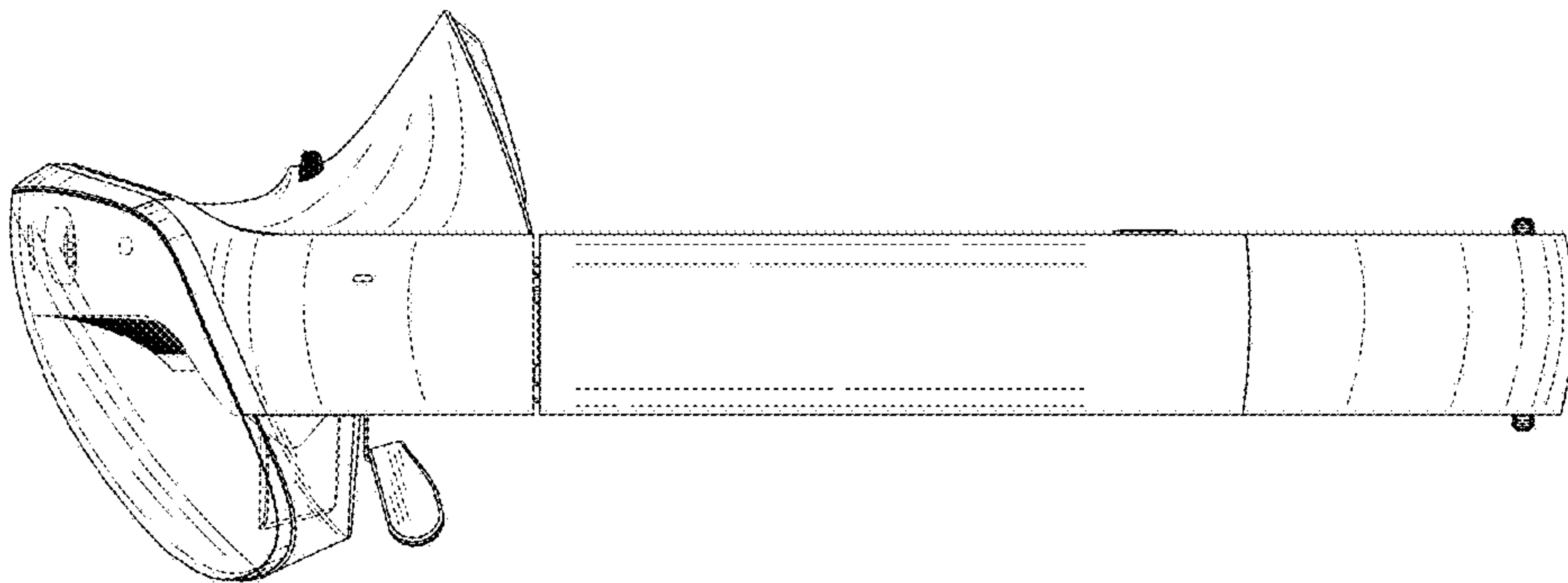


Fig. 4

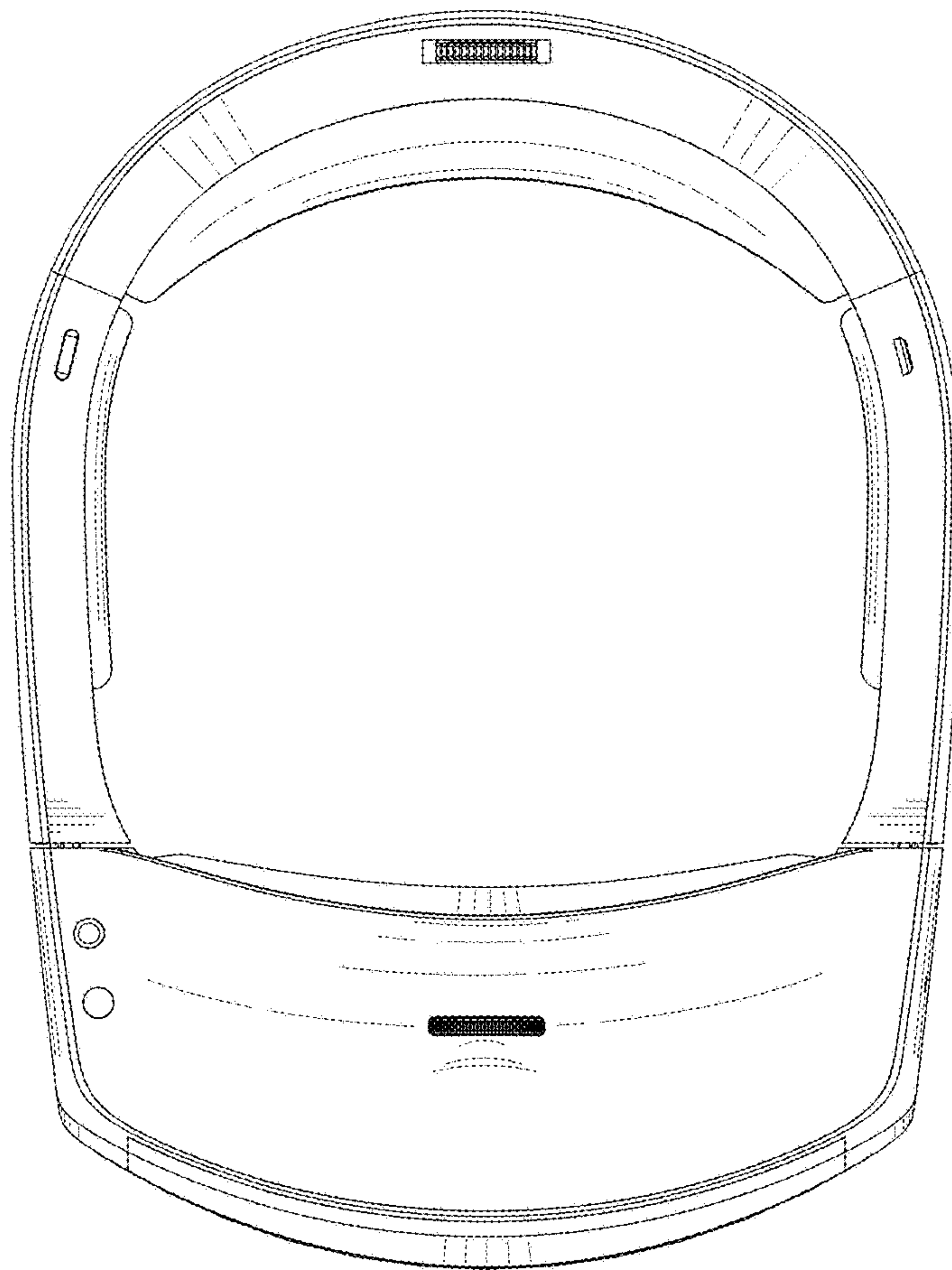


Fig. 5

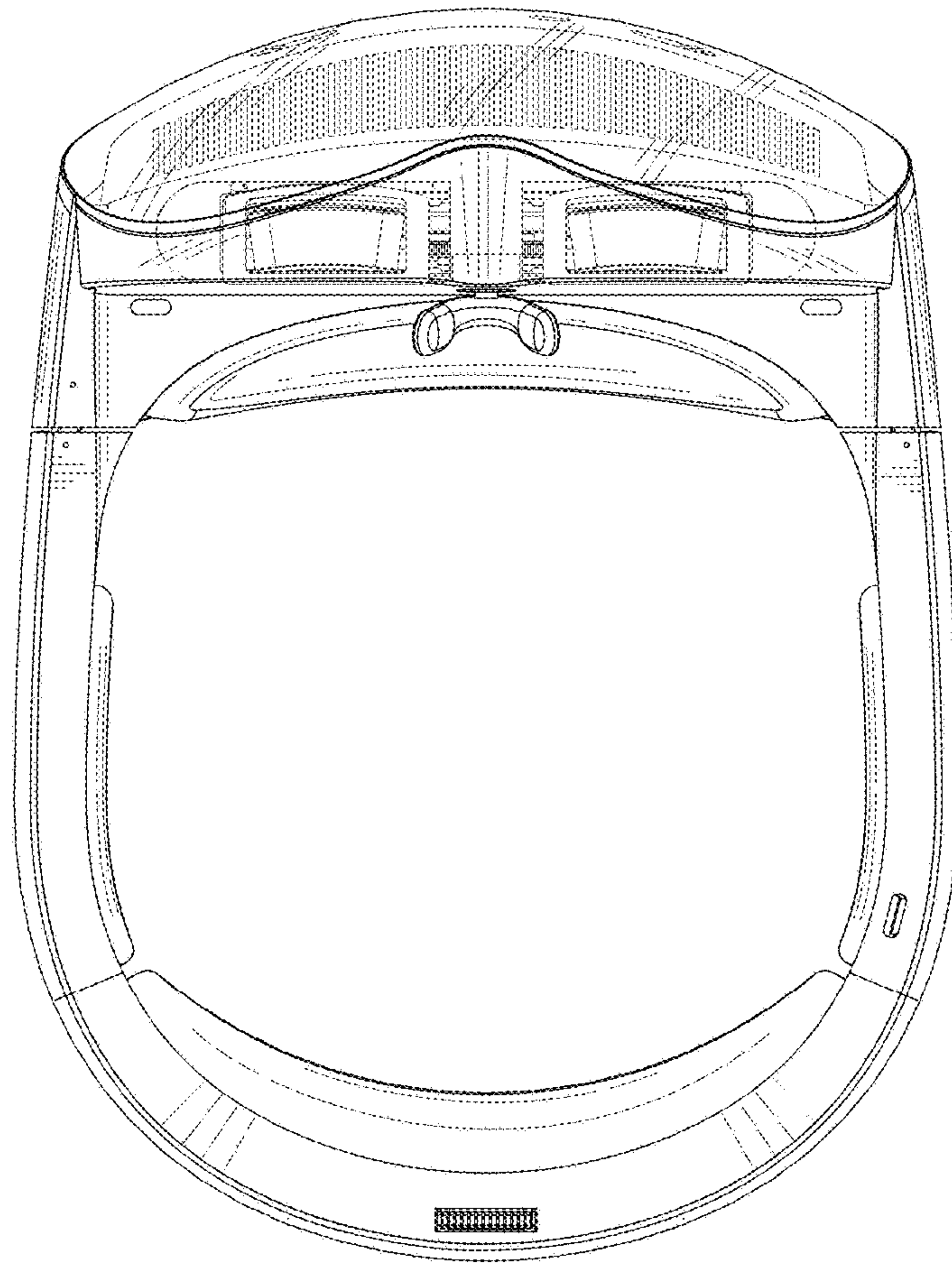


Fig. 6

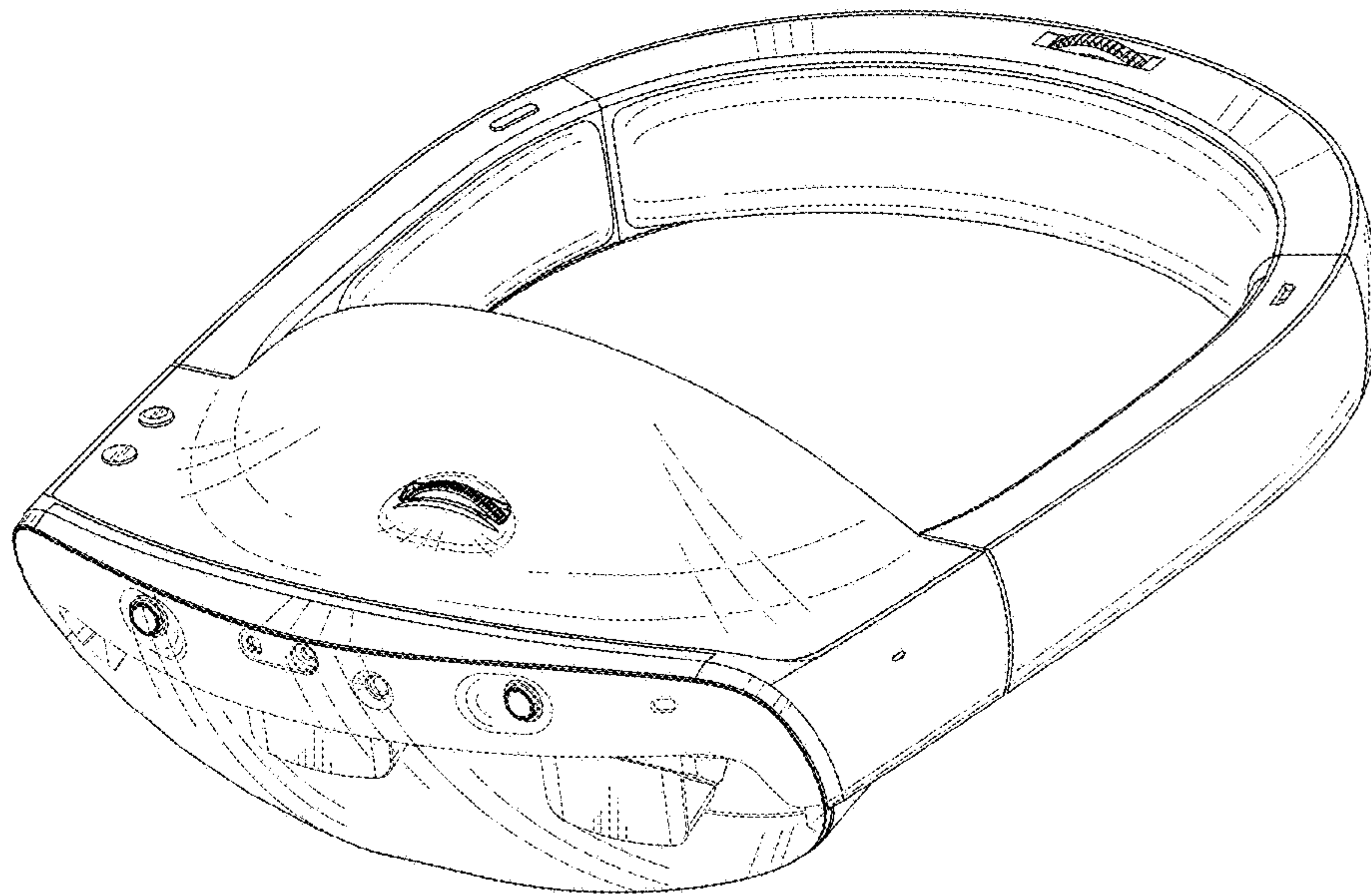


Fig. 7

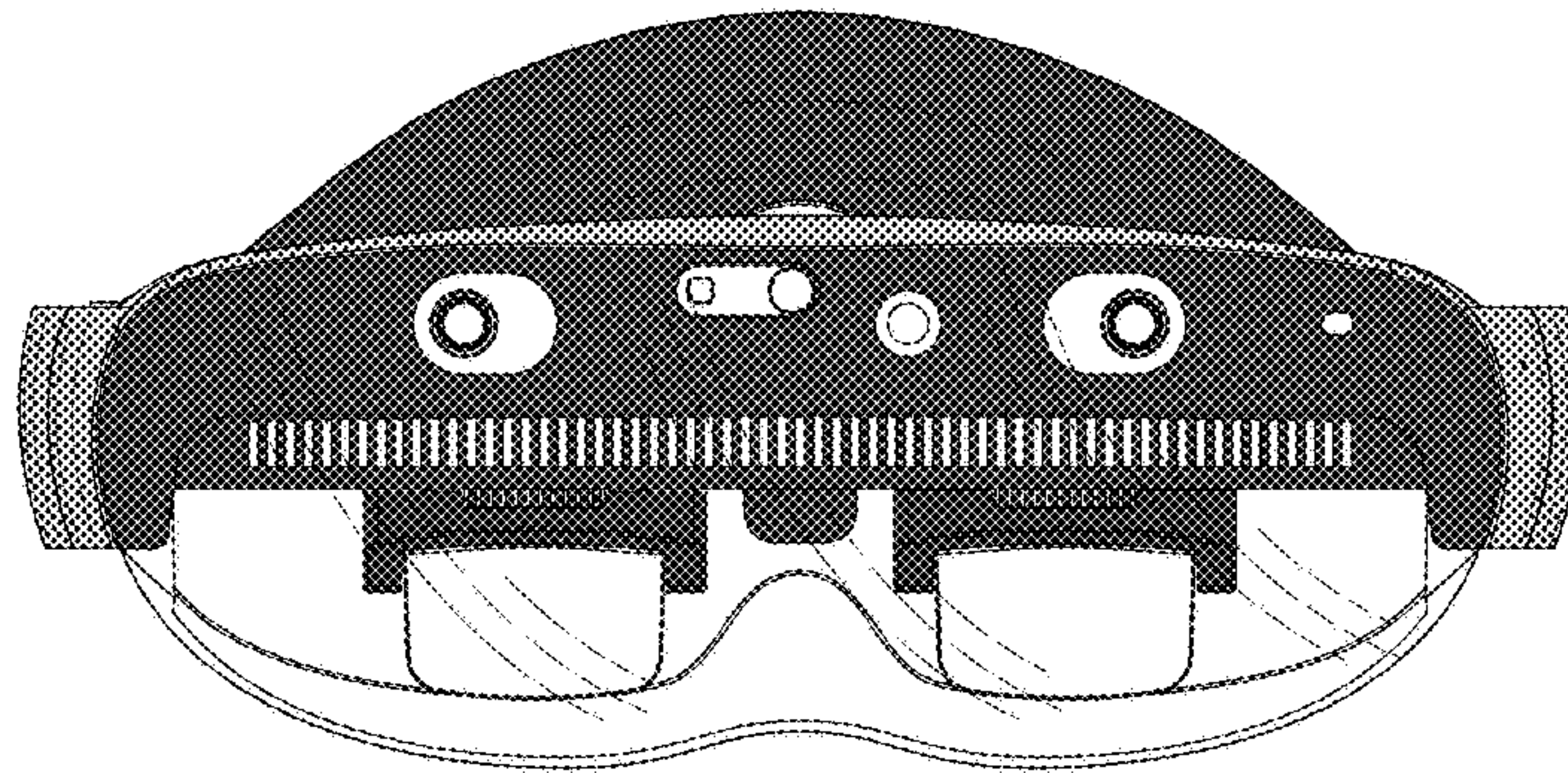


Fig. 8

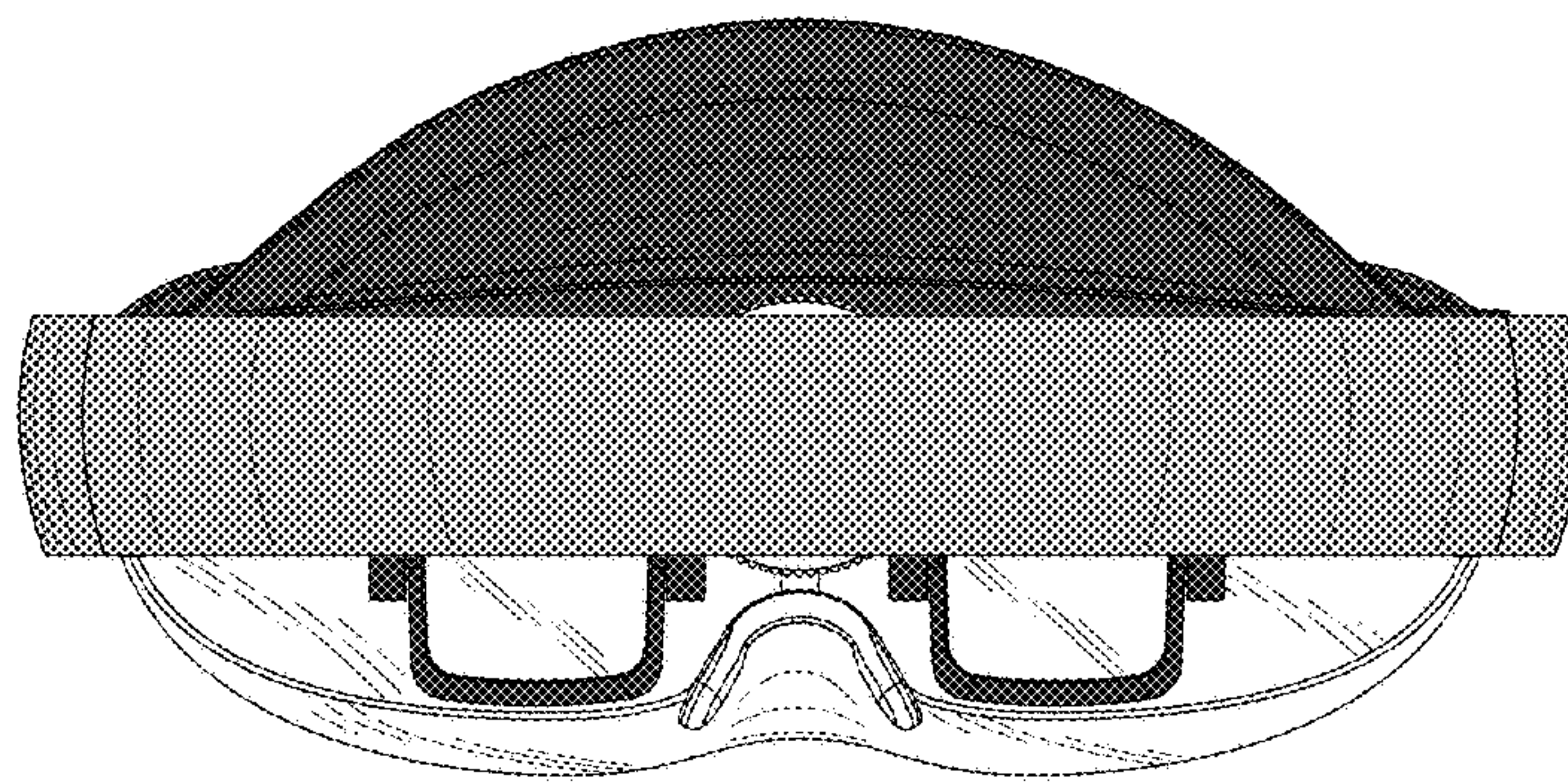


Fig. 9

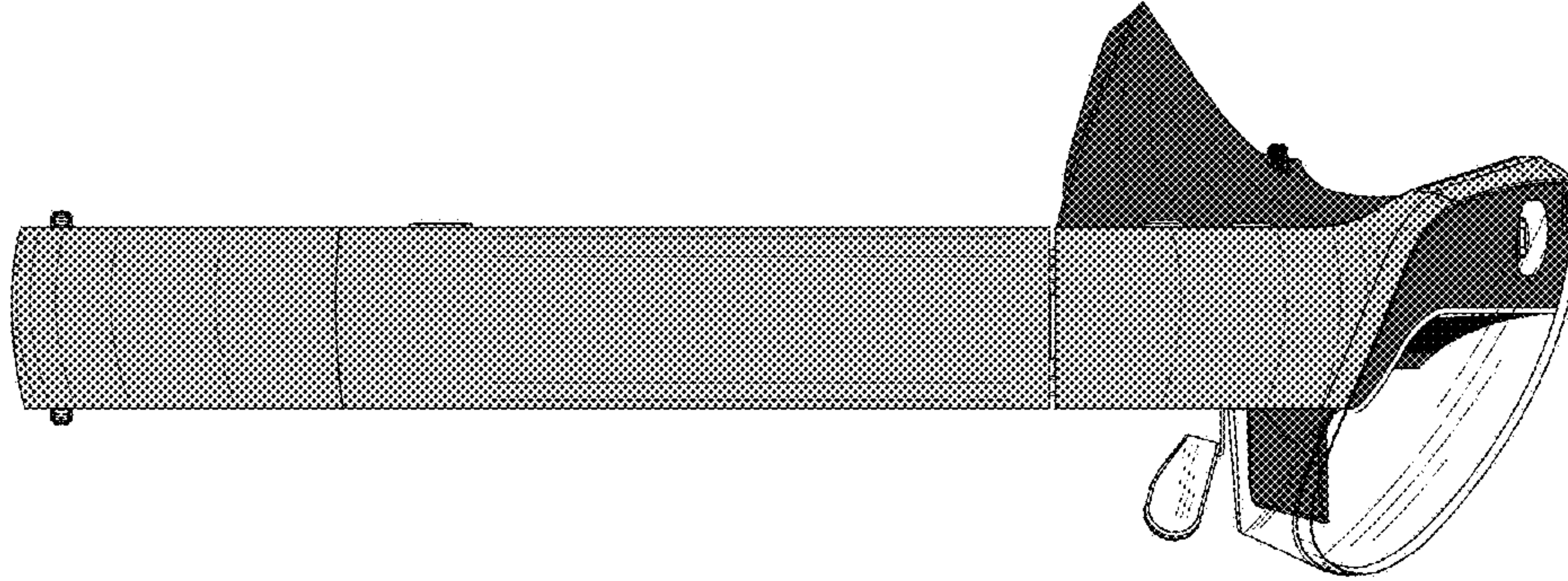


Fig. 10

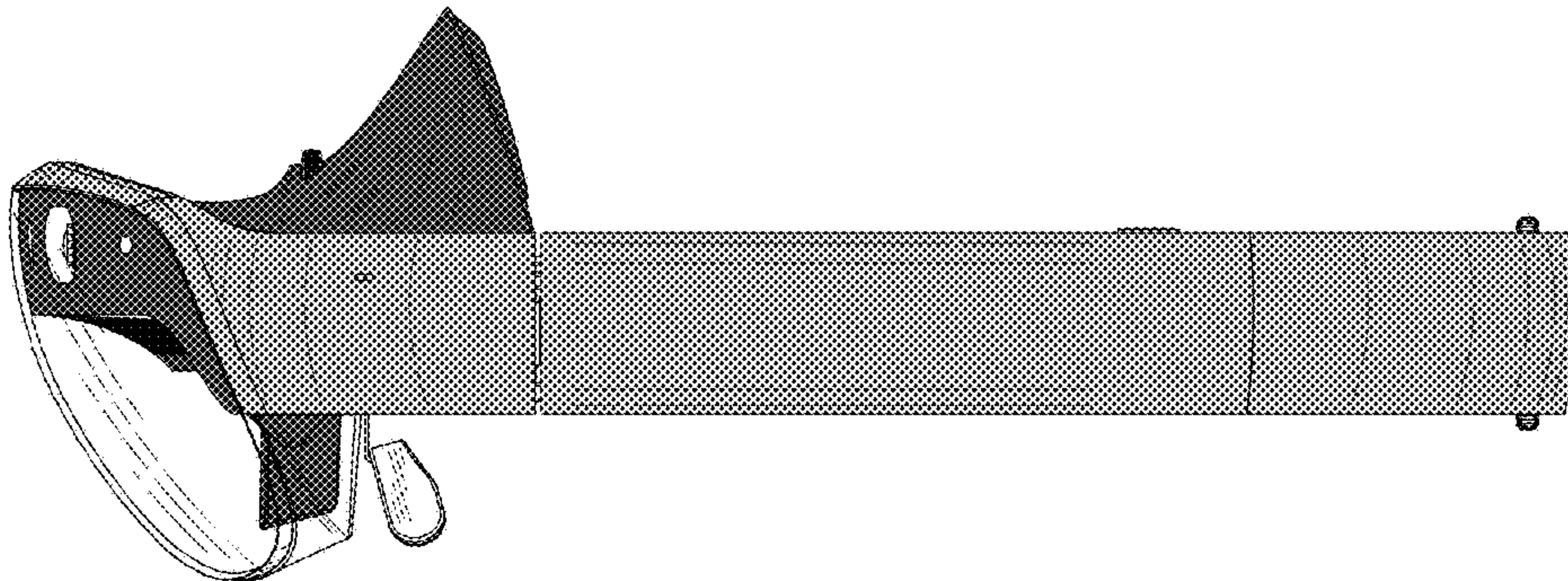


Fig. 11

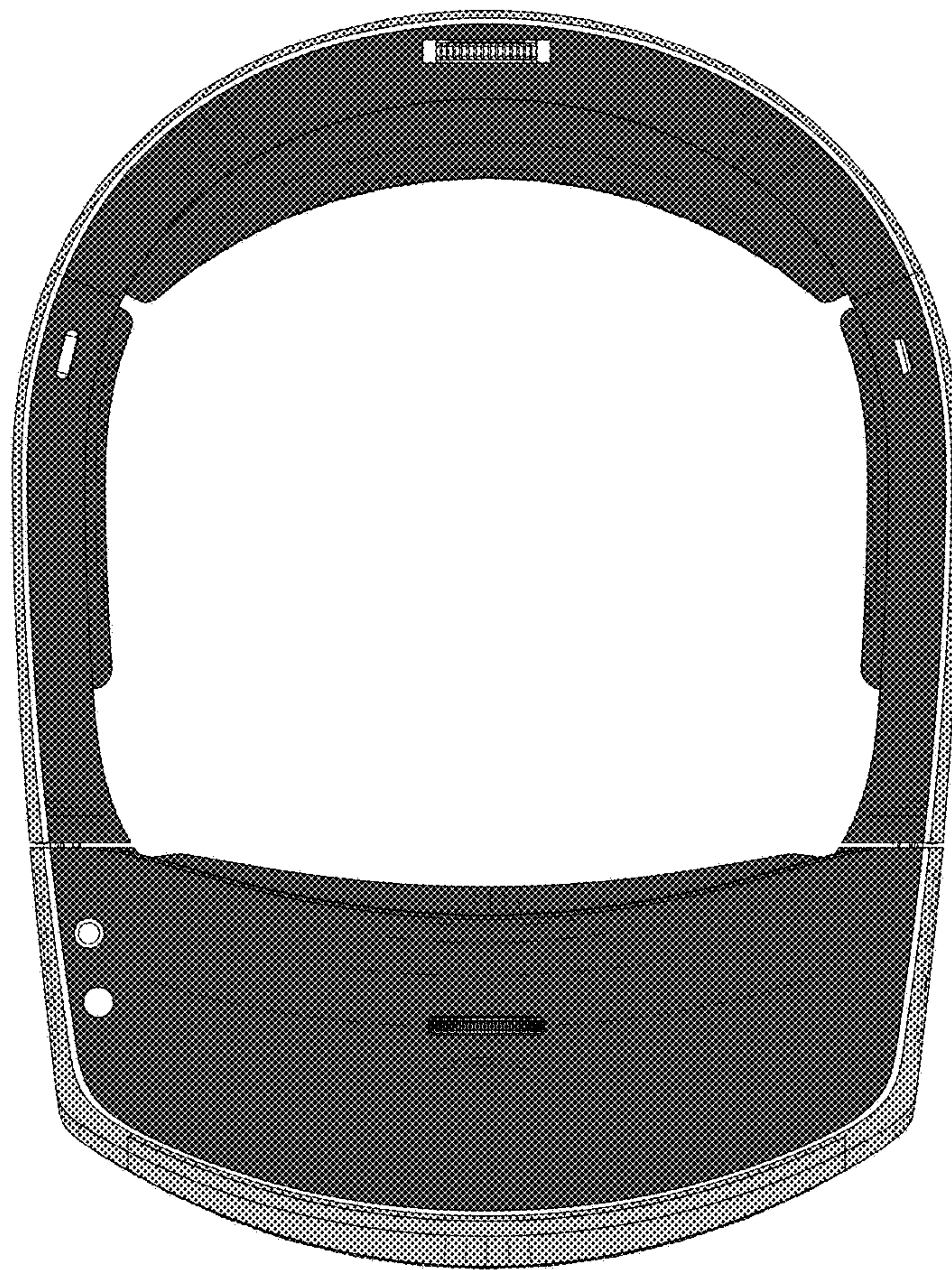


Fig. 12

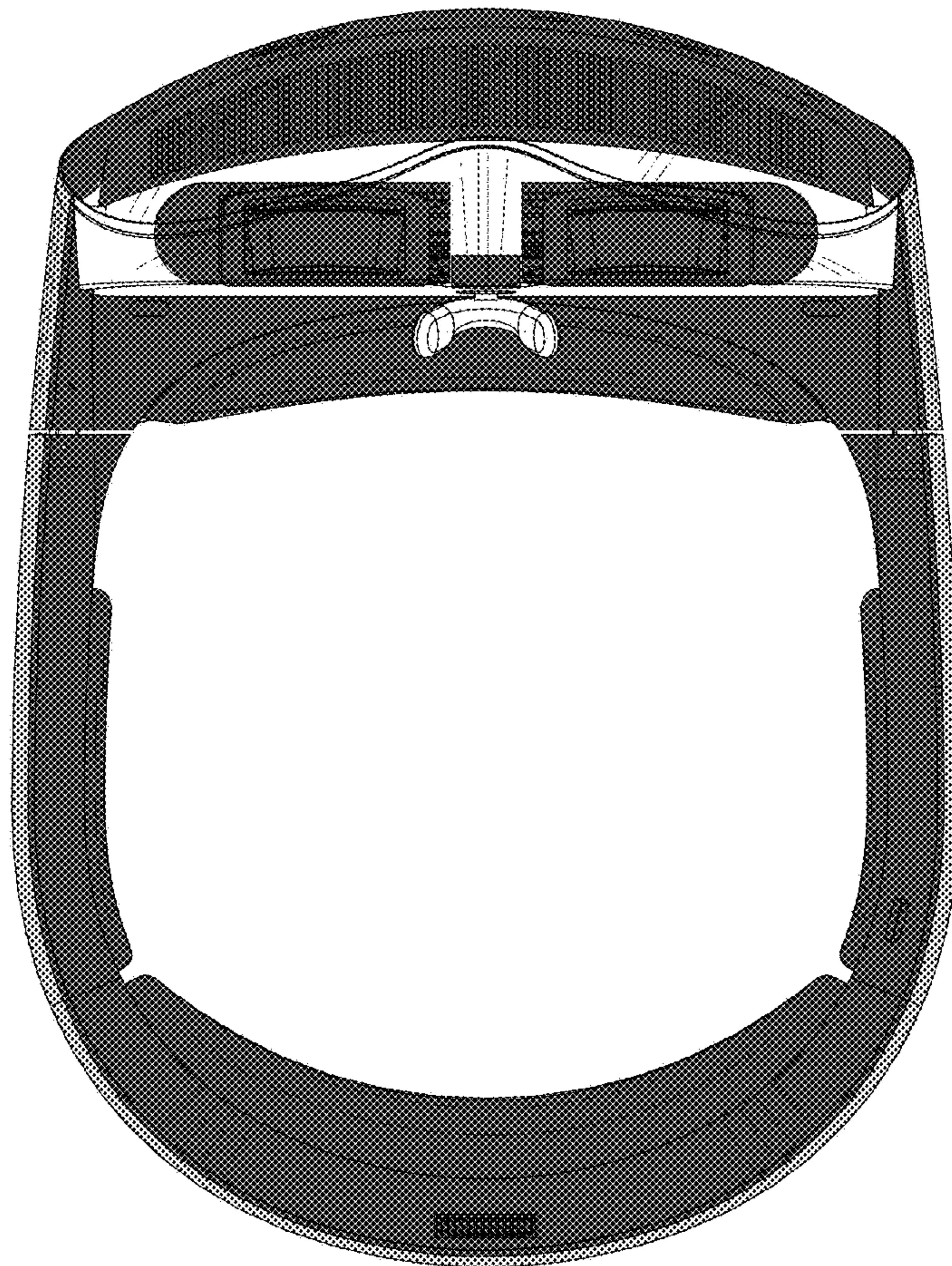


Fig. 13

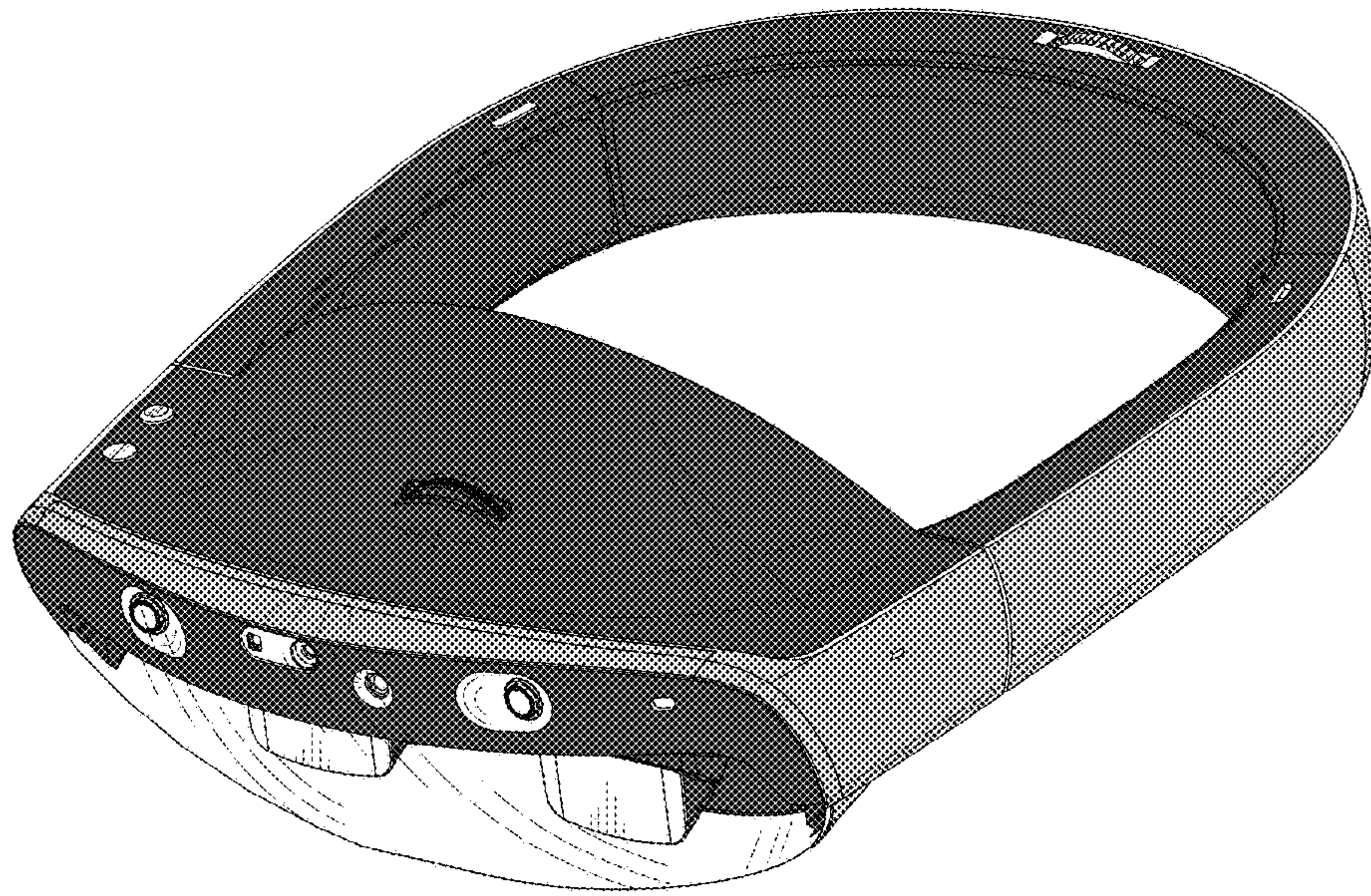


Fig. 14