



US00D860299S

(12) **United States Design Patent**
Li et al.

(10) **Patent No.:** **US D860,299 S**
(45) **Date of Patent:** **** Sep. 17, 2019**

(54) **TRIPOD**

(71) Applicant: **Guangdong Sirui Optical Co., Ltd.,**
Zhongshan (CN)

(72) Inventors: **Jie Li, Zhongshan (CN); Jieyong Chen,**
Zhongshan (CN)

(73) Assignee: **Guangdong Sirui Optical Co., Ltd.,**
Zhongshan, Gungdong Province (CN)

(**) Term: **15 Years**

(21) Appl. No.: **29/623,922**

(22) Filed: **Oct. 27, 2017**

(51) **LOC (12) Cl.** **16-05**

(52) **U.S. Cl.**
USPC **D16/244**

(58) **Field of Classification Search**
USPC D16/219, 237-250; D14/224, 229, 238,
D14/251, 253, 447, 451, 457
CPC . G03B 17/56; G03B 17/561-568; A45F 5/00;
A45F 5/10
See application file for complete search history.

(56) **References Cited**

U.S. PATENT DOCUMENTS

4,697,772	A *	10/1987	Kosugi	F16M 11/105	248/183.3
D326,105	S *	5/1992	Doi	D16/244	
D335,298	S *	5/1993	Hanke	D16/244	
D607,037	S *	12/2009	Lee	D16/244	
7,845,602	B1 *	12/2010	Young	F16B 7/1409	248/125.8
8,146,876	B1 *	4/2012	Young	F16B 7/1409	248/161
9,004,419	B2 *	4/2015	Nakatani	F16M 11/126	248/178.1

9,417,508	B2 *	8/2016	Yang	F16M 11/041	
9,447,912	B2 *	9/2016	De Faveri	F16M 11/16	
D807,421	S *	1/2018	Yin	D16/244	
2006/0175484	A1 *	8/2006	Wood, III	F16M 11/32	248/177.1
2007/0090237	A1 *	4/2007	Hsu	F16M 11/14	248/178.1
2009/0250567	A1 *	10/2009	Raynaud	F16M 11/16	248/168
2010/0019109	A1 *	1/2010	Liu	F16M 11/046	248/168
2011/0260016	A1 *	10/2011	Johnson	F16M 11/16	248/168

OTHER PUBLICATIONS

SIRUI Kicks off SR Series with Three New Tripods. [online]
Published Jul. 12, 2018. Retrieved from URL: <https://www.videomaker.com/sirui-kicks-off-sr-series-with-three-new-tripods/>.*

(Continued)

Primary Examiner — Vy N Koenig
(74) *Attorney, Agent, or Firm* — Loeb & Loeb LLP

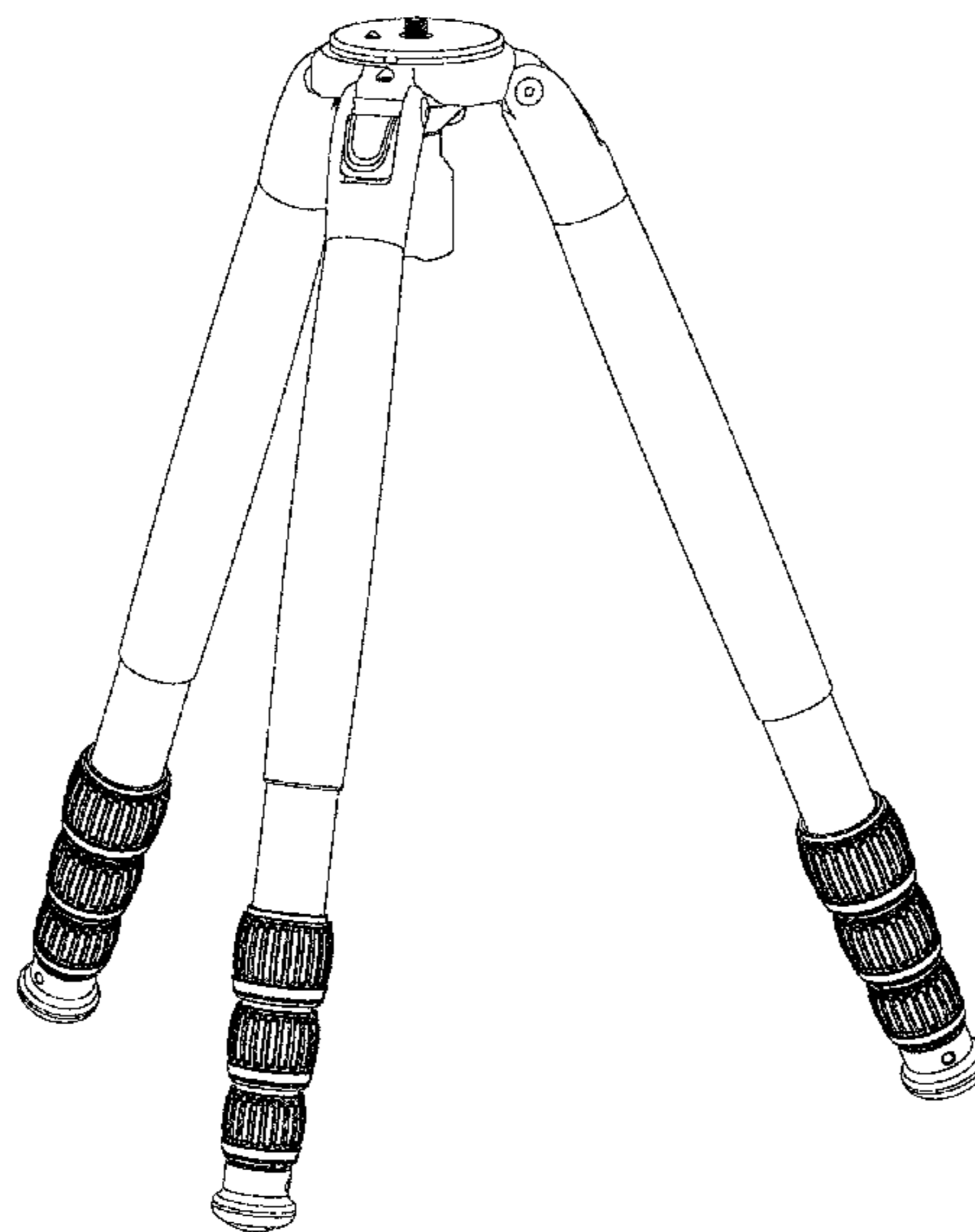
(57) **CLAIM**

The ornamental design for a tripod, as shown and described.

DESCRIPTION

FIG. 1 is a front elevational view of a tripod showing our new design;
FIG. 2 is a rear perspective view thereof;
FIG. 3 is a left elevational view thereof;
FIG. 4 is a right side elevational view thereof;
FIG. 5 is a top side elevational view thereof;
FIG. 6 is a bottom view thereof; and,
FIG. 7 is a perspective view thereof.
The broken lines in the drawings depict portions of the tripod that form no part of the claimed design.

1 Claim, 7 Drawing Sheets



(56)

References Cited

OTHER PUBLICATIONS

Induro GIT304L Grand Series 3 Stealth Carbon Fiber Tripod. [online] Retrieved Sep. 24, 2018 from URL: https://www.bhphotovideo.com/c/product/1158041-REG/induro_git304I_3grnd_stealth_carbon.html.*

AM-284C Tenth Anniversary New Tripod. [online] Retrieved Sep. 24, 2018 from URL: <http://www.jusino.com.cn/en/products/show-589-592-2009.html>.*

Manfrotto MT190XPRO4 Aluminum Tripod Review. [online] Retrieved Sep. 24, 2018 from URL: <https://www.the-digital-picture.com/Reviews/Manfrotto-MT190XPRO4-Tripod.aspx>.*

50kg loading carbon fiber professional heavy duty bowl tripod adjustable camera brackets for Canon Nikon slr dslr Video camera. [online] Retrieved Sep. 24, 2018 from URL: https://www.alibaba.com/product-detail/50kg-loading-carbon-fiber-professional-heavy_60636009172.html?spm=a2700.icbuShop.74.2.48c26bb6M6LAkr.*

* cited by examiner

FIG. 1

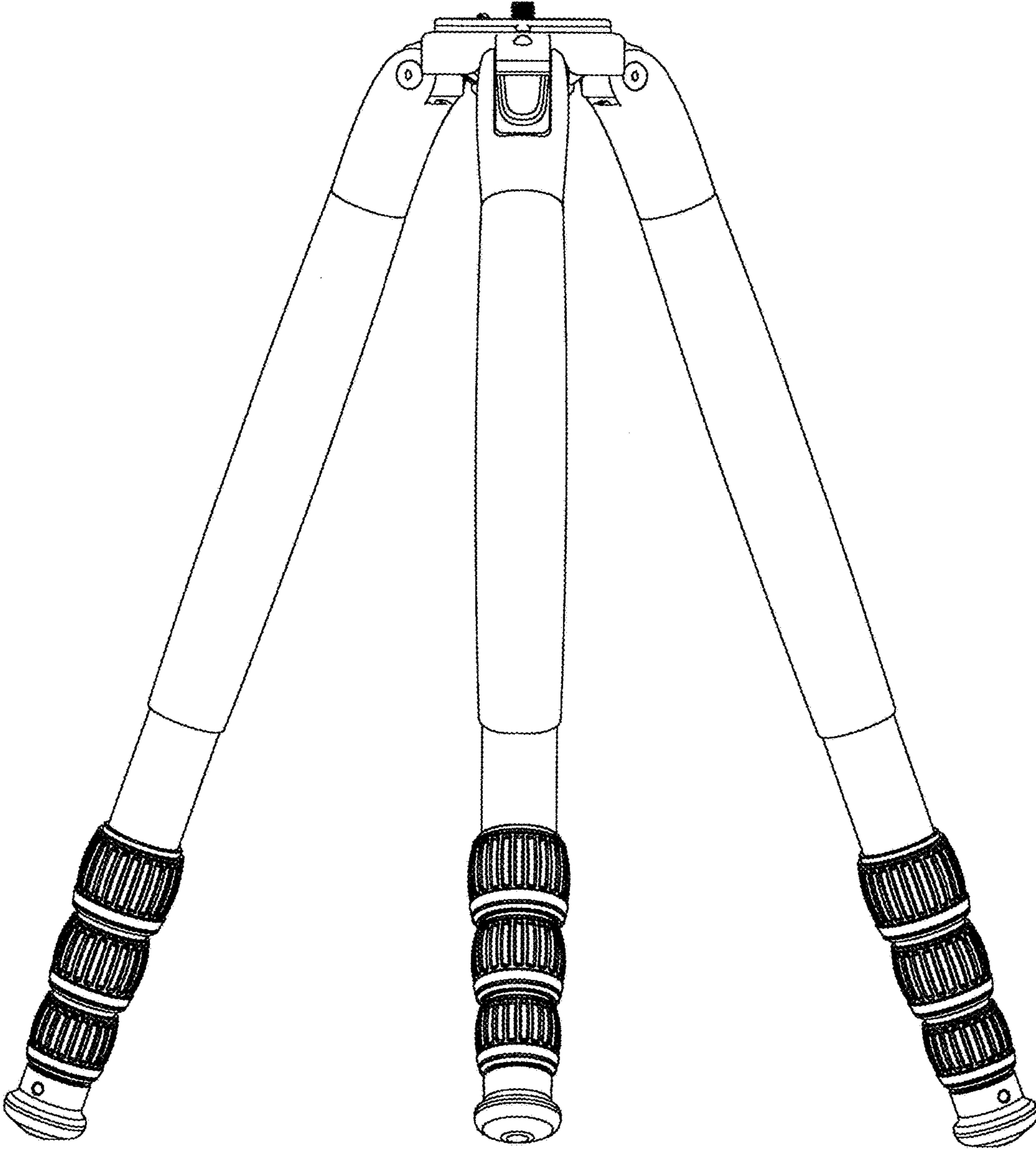


FIG. 2

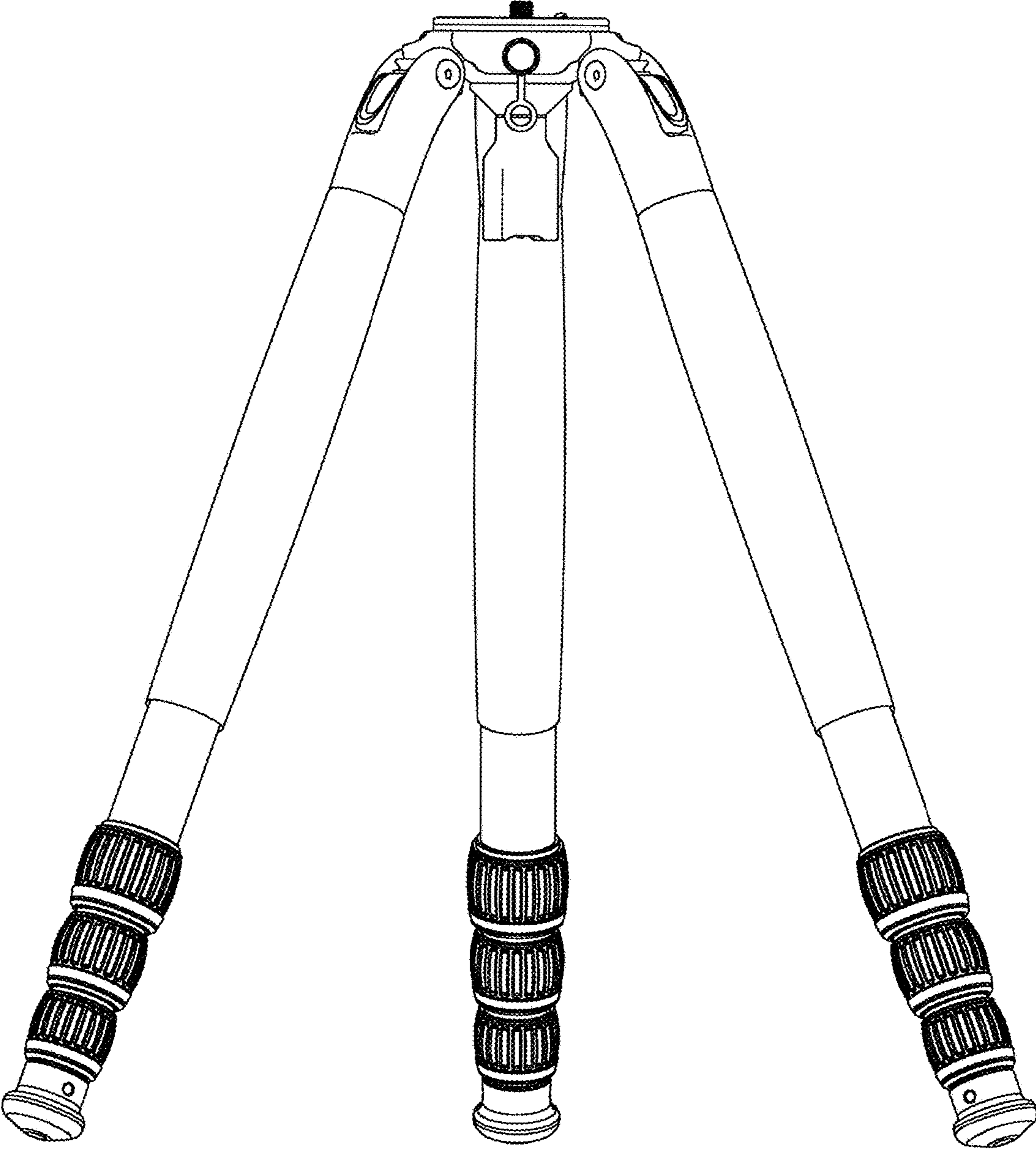


FIG. 3

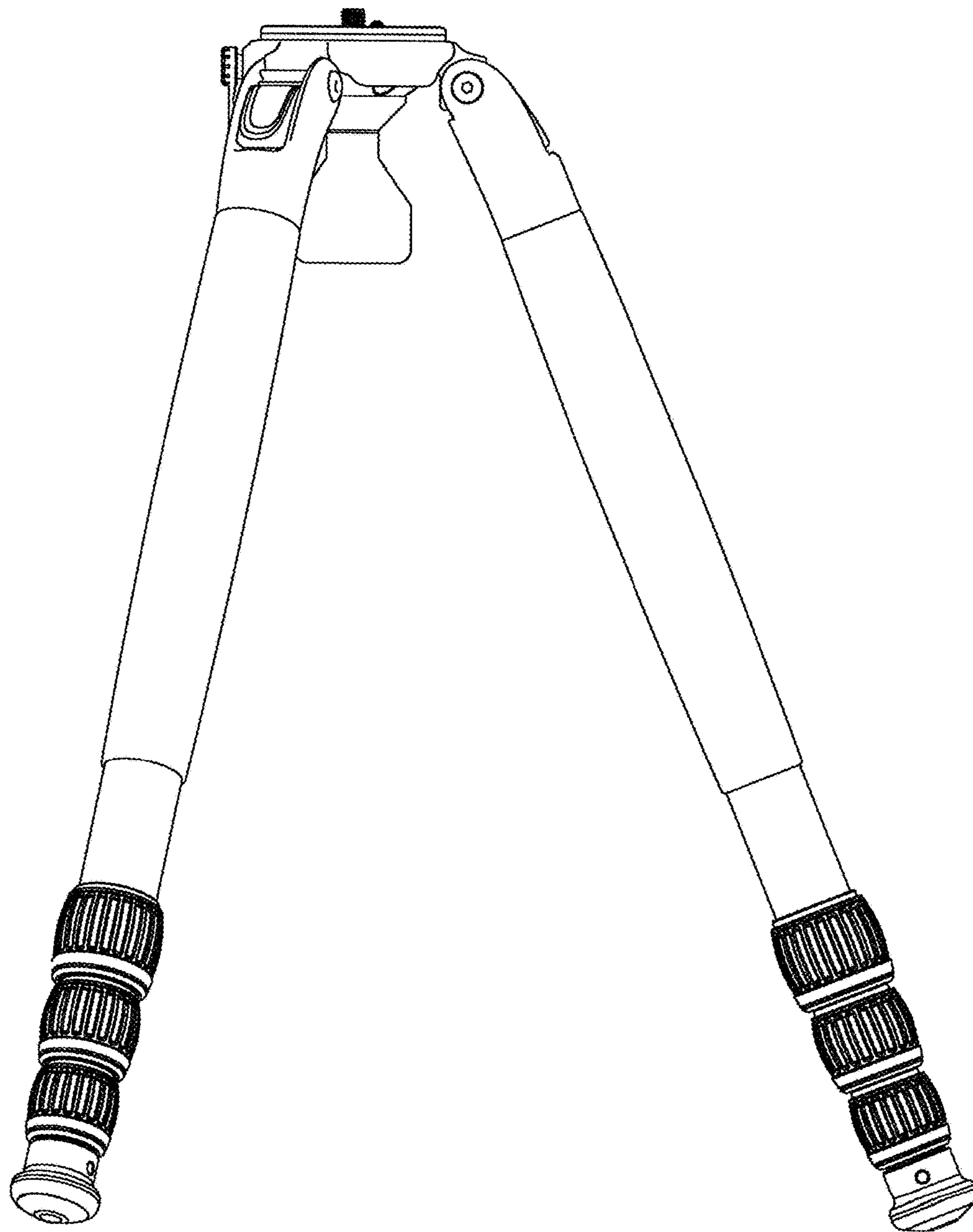


FIG. 4

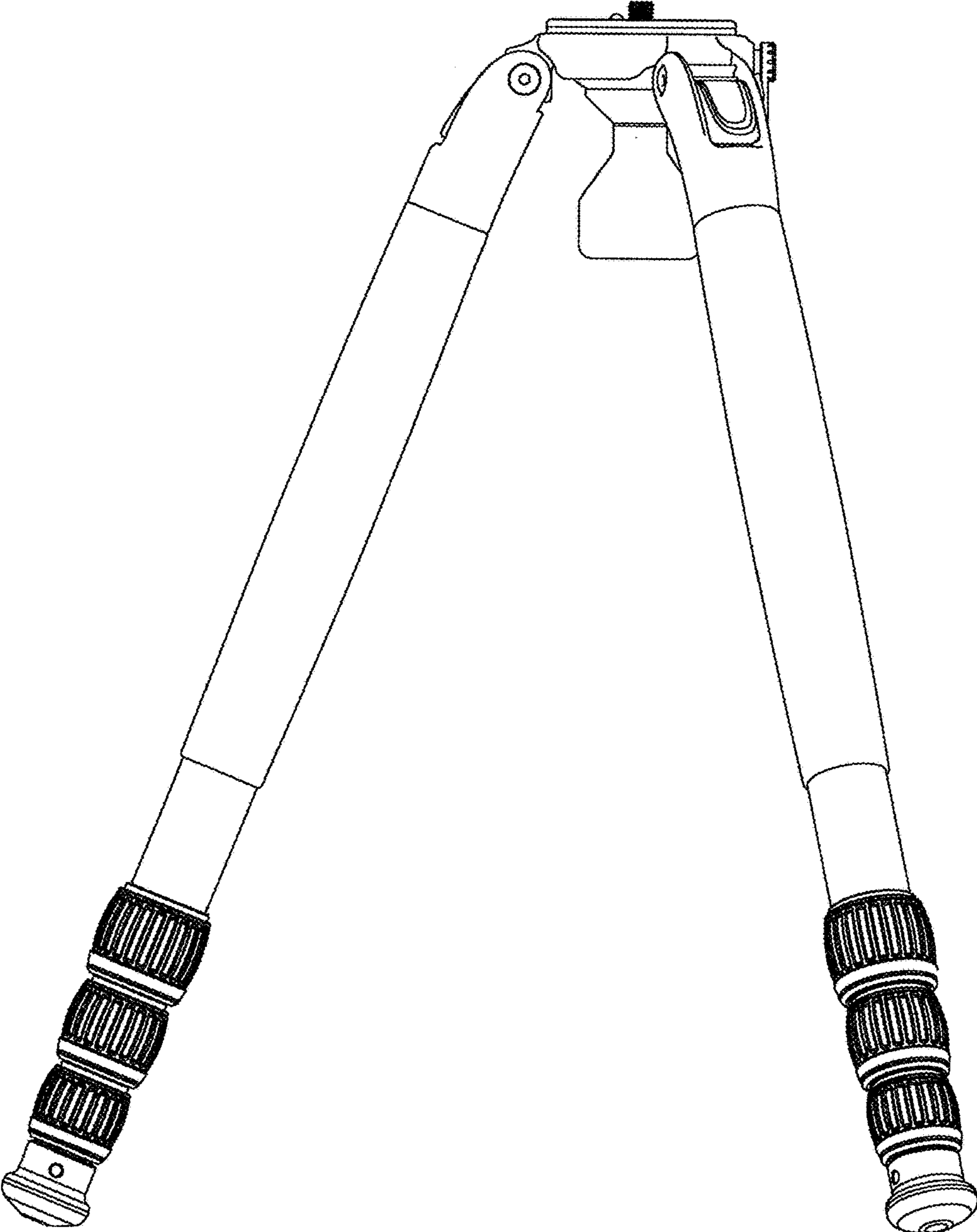


FIG. 5

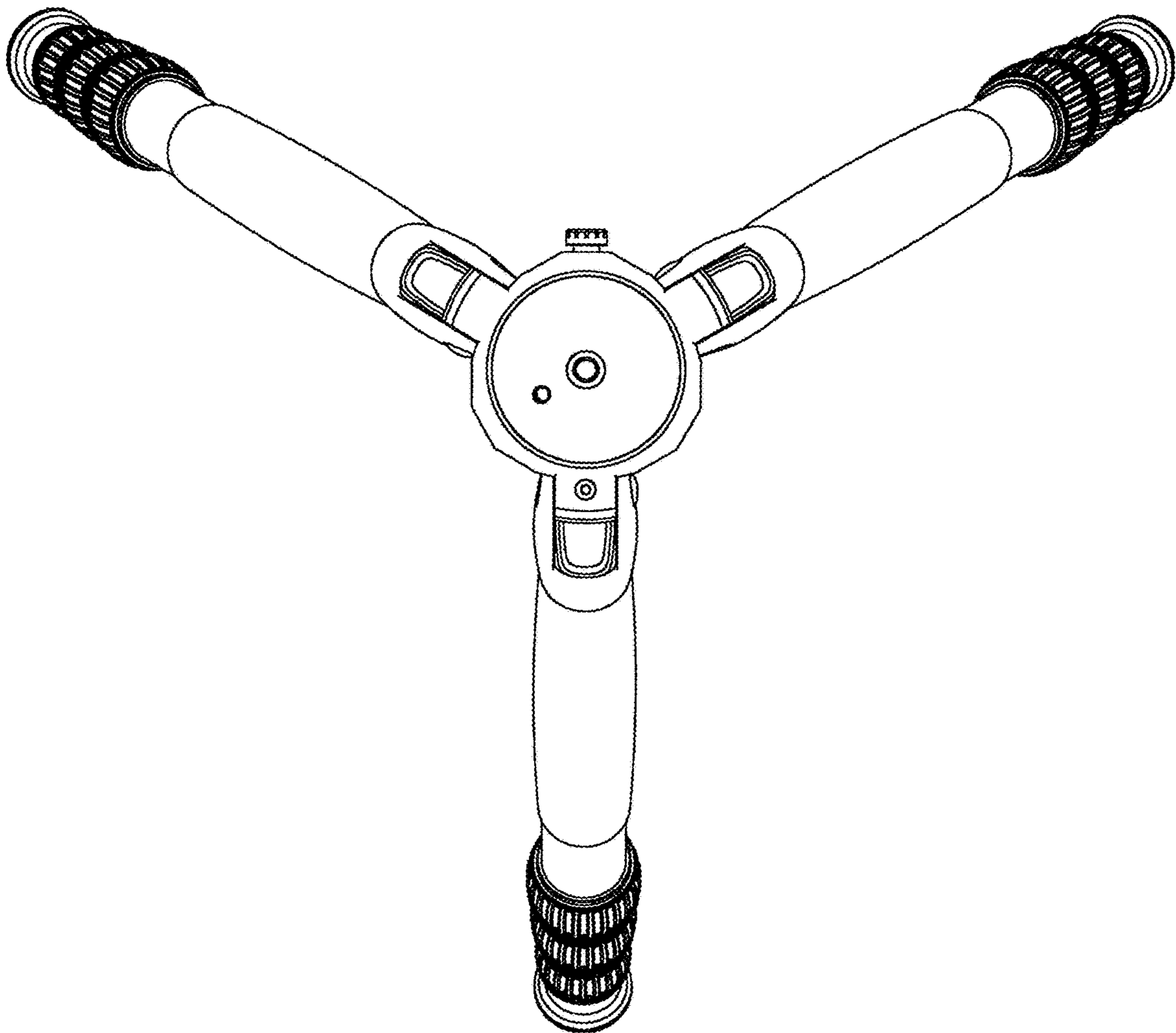


FIG. 6

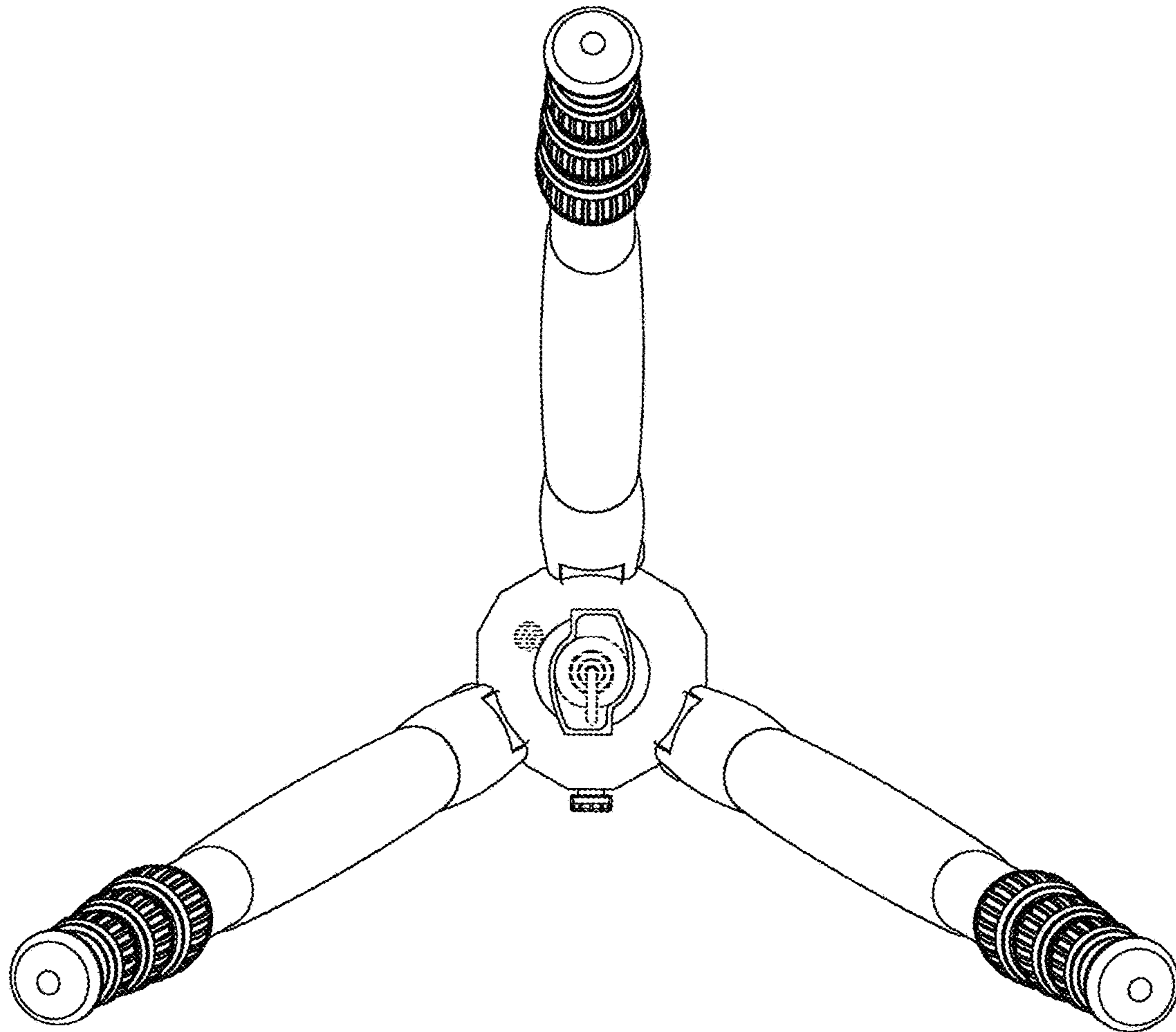


FIG. 7

