

US00D860298S

(12) **United States Design Patent** (10) **Patent No.:** **US D860,298 S**  
**Balmer** (45) **Date of Patent:** **\*\* Sep. 17, 2019**

(54) **FOLDING TRIPOD**

**DESCRIPTION**

(71) Applicant: **Daymen US, Inc.**, Petaluma, CA (US)  
(72) Inventor: **Noah Balmer**, Santa Rosa, CA (US)  
(73) Assignee: **Vitec Holdings Italia SRL**, Cassola (IT)  
(\*\*) Term: **15 Years**  
(21) Appl. No.: **29/614,224**  
(22) Filed: **Aug. 17, 2017**  
(51) **LOC (12) Cl.** ..... **16-05**  
(52) **U.S. Cl.**  
USPC ..... **D16/244**  
(58) **Field of Classification Search**  
USPC ..... D16/219, 237-250; D14/224, 229, 238,  
D14/251, 253, 447, 451, 457; D8/354,  
D8/355, 363, 373, 382-383, 394-396  
(Continued)

FIG. 1 is a front view of a folding tripod showing my new design, in a stowed configuration.  
FIG. 2 is a back view of the folding tripod in a stowed configuration.  
FIG. 3 is a top view of the folding tripod in a stowed configuration.  
FIG. 4 is a bottom view of the folding tripod in a stowed configuration.  
FIG. 5 is a left side view of the folding tripod in a stowed configuration.  
FIG. 6 is a right side view of the folding tripod in a stowed configuration.  
FIG. 7 is an upper perspective view of the folding tripod in a stowed configuration.  
FIG. 8 is a lower perspective view of the folding tripod in a stowed configuration.  
FIG. 9 is a front view of the folding tripod in an extended configuration.  
FIG. 10 is a back view of the folding tripod in an extended configuration.  
FIG. 11 is a top view of the folding tripod in an extended configuration.  
FIG. 12 is a bottom view of the folding tripod in an extended configuration.  
FIG. 13 is a left side view of the folding tripod in an extended configuration.  
FIG. 14 is a right side view of the folding tripod in an extended configuration.  
FIG. 15 is an upper perspective view of the folding tripod in an extended configuration.  
FIG. 16 is a lower perspective view of the folding tripod in an extended configuration.  
FIG. 17 is a front view of the folding tripod in an extended configuration with legs in a first position.  
FIG. 18 is a back view of the folding tripod in an extended configuration with legs in a first position.  
FIG. 19 is a top view of the folding tripod in an extended configuration with legs in a first position.  
FIG. 20 is a bottom view of the folding tripod in an extended configuration with legs in a first position.

(56) **References Cited**

**U.S. PATENT DOCUMENTS**

D222,118 S \* 9/1971 Nakatani ..... D16/244  
D506,219 S \* 6/2005 Eason ..... D16/244  
(Continued)

**OTHER PUBLICATIONS**

Joby GripTight PRO TelePod Tripod Apple. [online] Published Mar. 20, 2018. Retrieved Mar. 12, 2019 from URL: [https://www.apple.com/shop/product/HLXF2ZM/A/joby-griptight-pro-telepod-tripod.\\*](https://www.apple.com/shop/product/HLXF2ZM/A/joby-griptight-pro-telepod-tripod.*)

(Continued)

*Primary Examiner* — Vy N Koenig  
(74) *Attorney, Agent, or Firm* — Michael A. Guth

(57) **CLAIM**

The ornamental design for a folding tripod, as shown and described.

(Continued)

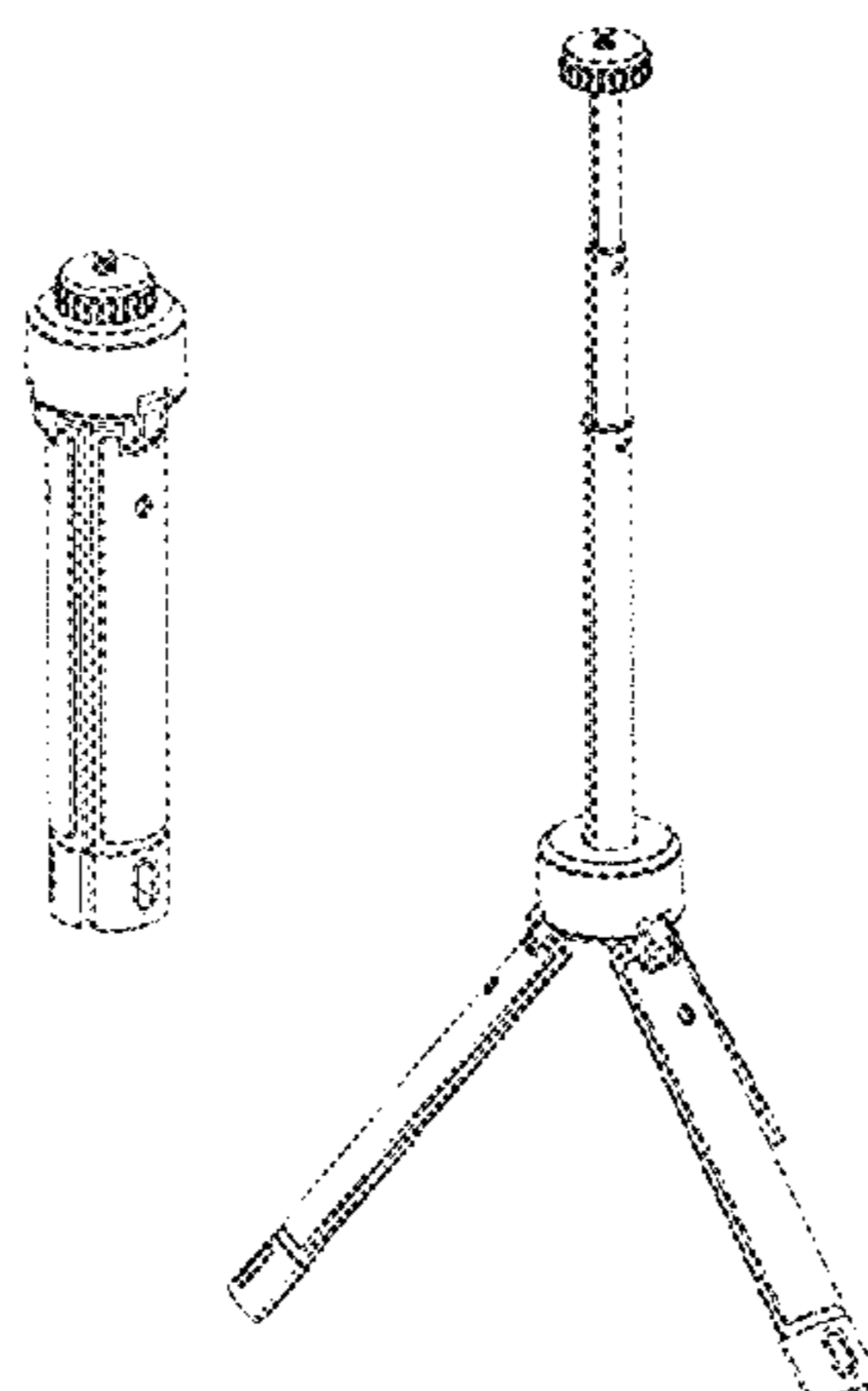


FIG. 21 is a left side view of the folding tripod in an extended configuration with legs in a first position.  
 FIG. 22 is a right side view of the folding tripod in an extended configuration with legs in a first position.  
 FIG. 23 is an upper perspective view of the folding tripod in an extended configuration with legs in a first position.  
 FIG. 24 is a lower perspective view of the folding tripod in an extended configuration with legs in a first position.  
 FIG. 25 is a front view of the folding tripod in an extended configuration with legs in a second position.  
 FIG. 26 is a back view of the folding tripod in an extended configuration with legs in a second position.  
 FIG. 27 is a top view of the folding tripod in an extended configuration with legs in a second position.  
 FIG. 28 is a bottom view of the folding tripod in an extended configuration with legs in a second position.  
 FIG. 29 is a left side view of the folding tripod in an extended configuration with legs in a second position.  
 FIG. 30 is a right side view of the folding tripod in an extended configuration with legs in a second position.  
 FIG. 31 is an upper perspective view of the folding tripod in an extended configuration with legs in a second position; and,  
 FIG. 32 is a lower perspective view of the folding tripod in an extended configuration with legs in a second position.

**1 Claim, 25 Drawing Sheets**

(58) **Field of Classification Search**  
 CPC ..... F16M 11/06-10; F16M 11/14; G02B

7/00-002; G03B 17/56; G03B  
 17/561-568; H04N 5/2253-2254; A45F  
 2200/00; A45F 2200/10; A45F  
 2200/0508-0533

See application file for complete search history.

(56)

**References Cited**

U.S. PATENT DOCUMENTS

D552,660	S	*	10/2007	Lee	.....	D16/242
7,344,320	B2	*	3/2008	Barker	.....	F16M 11/14 135/66
D570,618	S	*	6/2008	Tai	.....	D14/229
D632,720	S	*	2/2011	Barker	.....	D16/244
D670,752	S	*	11/2012	Barber	.....	D16/242
D718,365	S	*	11/2014	Kim	.....	D16/244
D720,384	S	*	12/2014	Holmen	.....	D16/244
9,328,862	B2	*	5/2016	Hu	.....	F16M 11/16
9,606,424	B2	*	3/2017	Fromm	.....	G03B 17/561
9,657,888	B2	*	5/2017	Chen	.....	F16M 11/26
D821,483	S	*	6/2018	Vitale	.....	D16/244

OTHER PUBLICATIONS

Eocean 45-Inch Selfie Stick Tripod. [online] Published on Sep. 22, 2018. Retrieved Mar. 12, 2019 from URL:[https://www.amazon.com/dp/B07G8558HS/ref=sspa\\_dk\\_detail\\_1?psc=1&pd\\_rd\\_i=B07G8558HS&pd\\_rd\\_w=kCGkb&pf\\_rd\\_p=733540df-430d-45cd-9525-21bc15b0e6cc&pd\\_rd\\_wg=N1ScP&pf\\_rd\\_r=X9Y3RCS2Z4XARQV3675F&pd\\_rd\\_r=1083b82a-44c3-11e9-9d0c-59a](https://www.amazon.com/dp/B07G8558HS/ref=sspa_dk_detail_1?psc=1&pd_rd_i=B07G8558HS&pd_rd_w=kCGkb&pf_rd_p=733540df-430d-45cd-9525-21bc15b0e6cc&pd_rd_wg=N1ScP&pf_rd_r=X9Y3RCS2Z4XARQV3675F&pd_rd_r=1083b82a-44c3-11e9-9d0c-59a).\*

\* cited by examiner

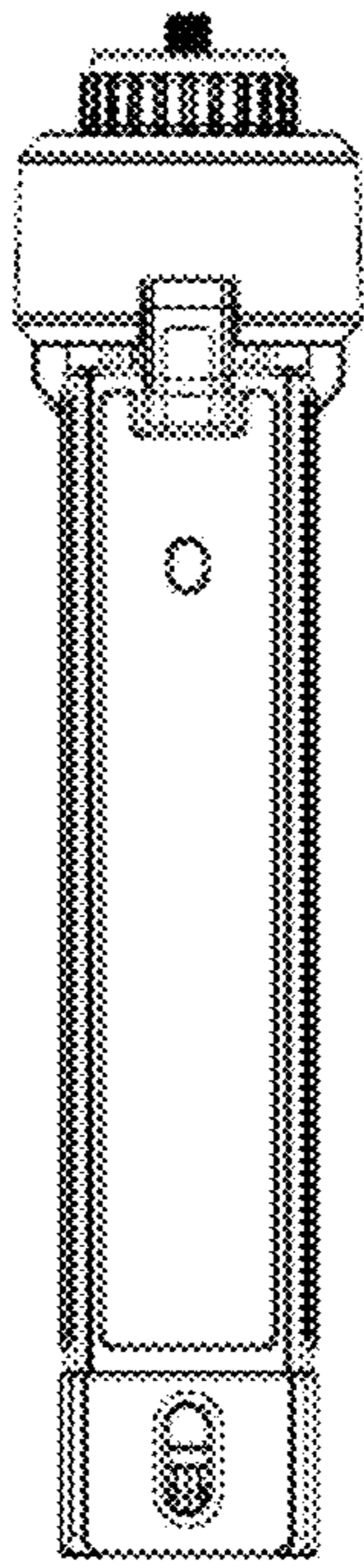


FIG. 1

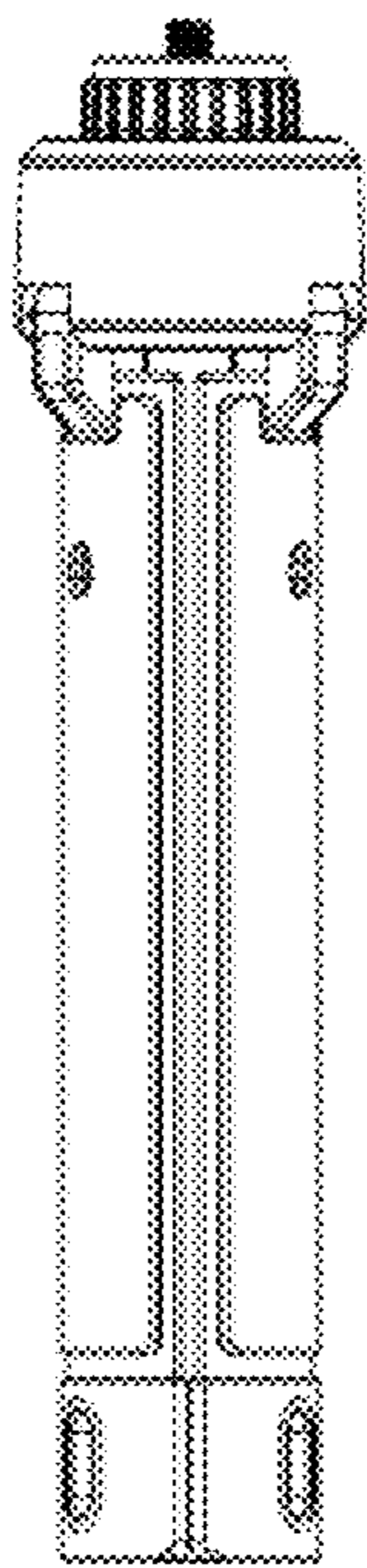


FIG. 2

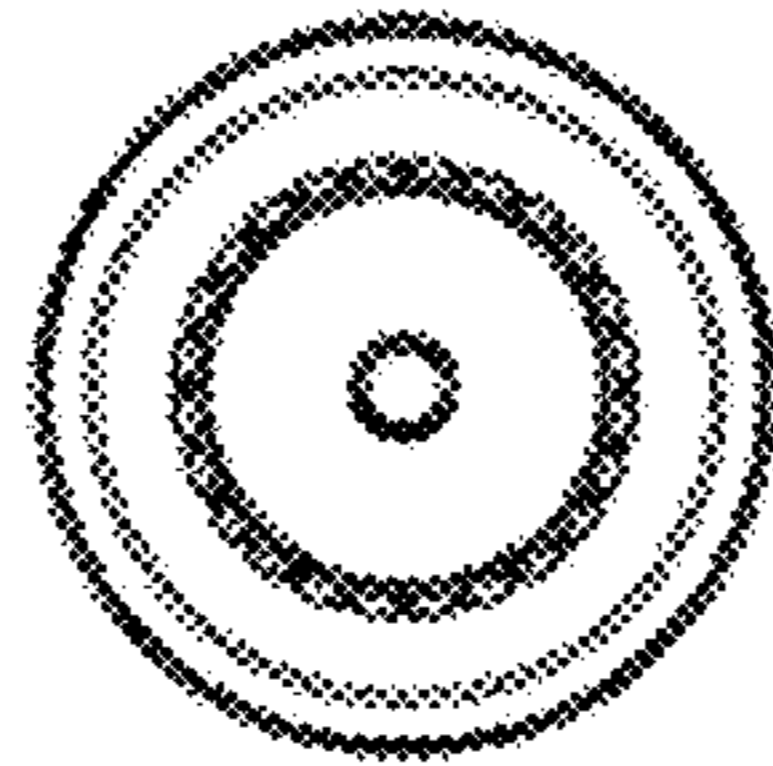


FIG. 3

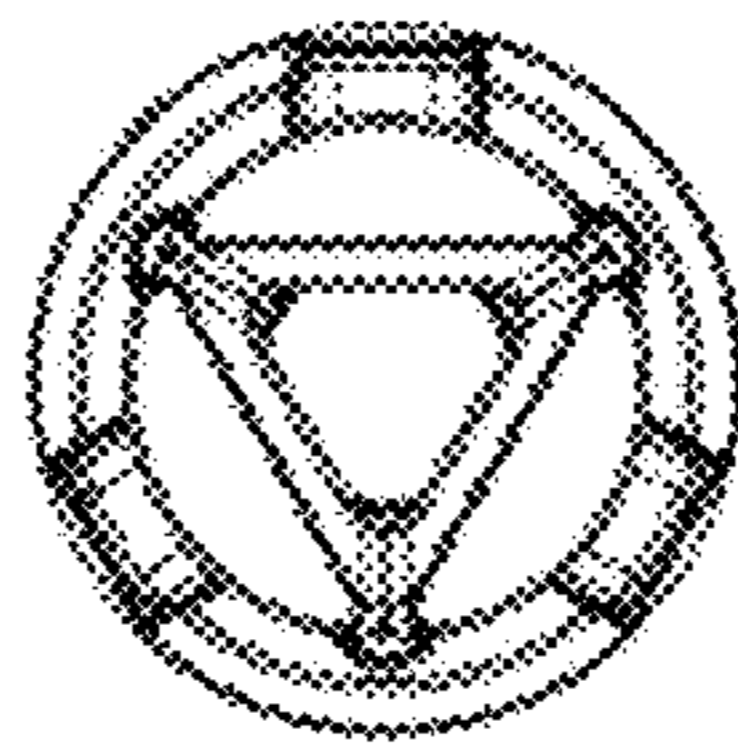


FIG. 4

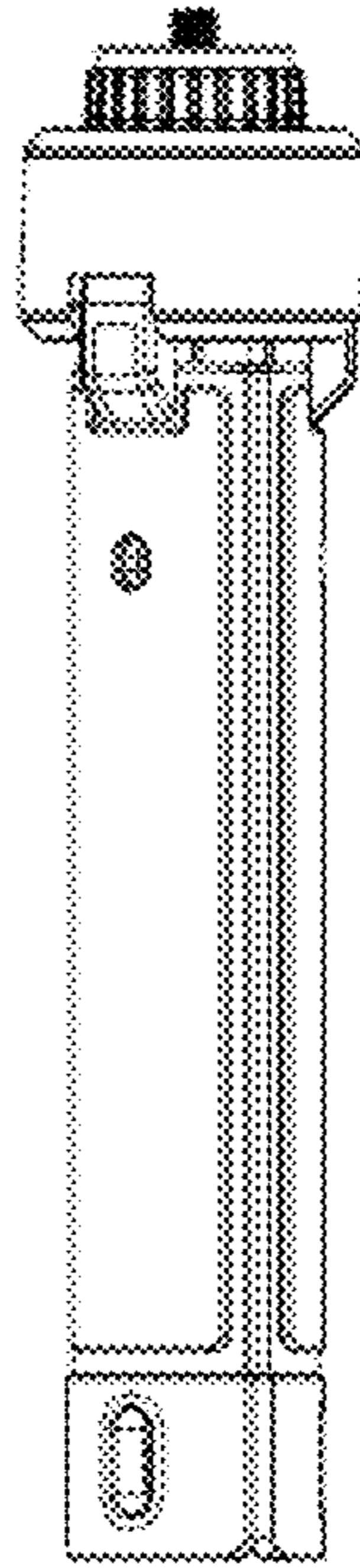


FIG. 5

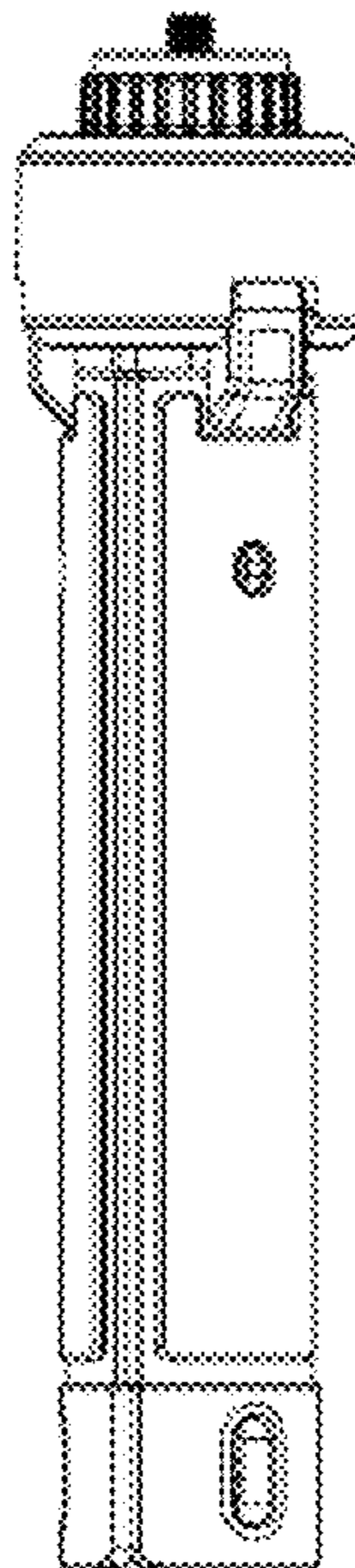


FIG. 6

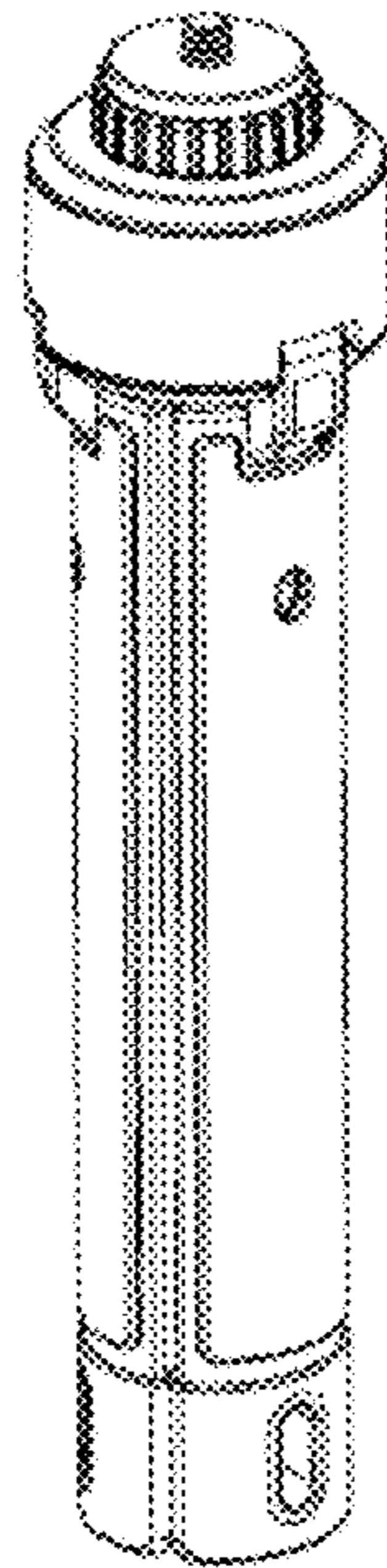


FIG. 7

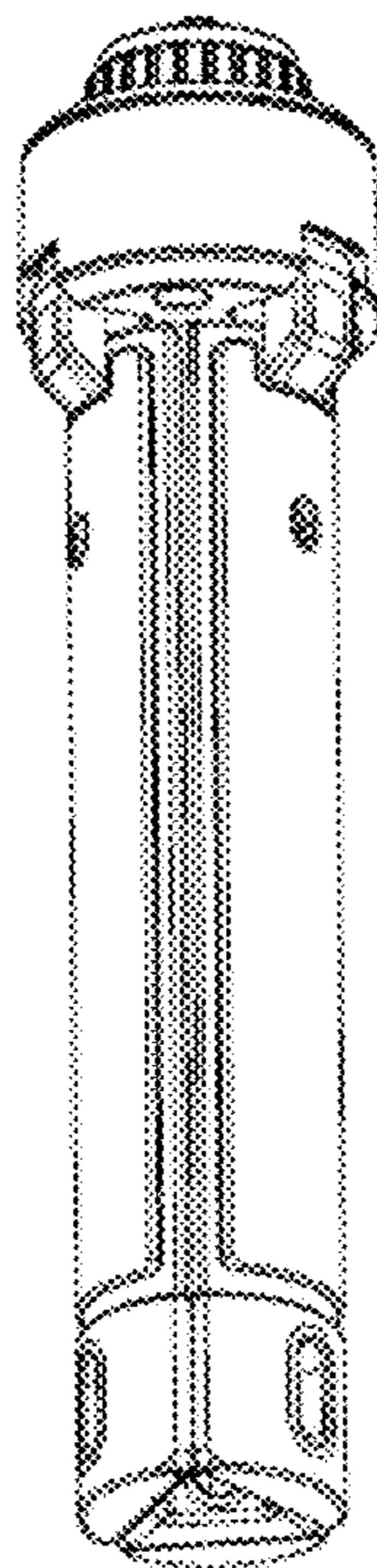


FIG. 8

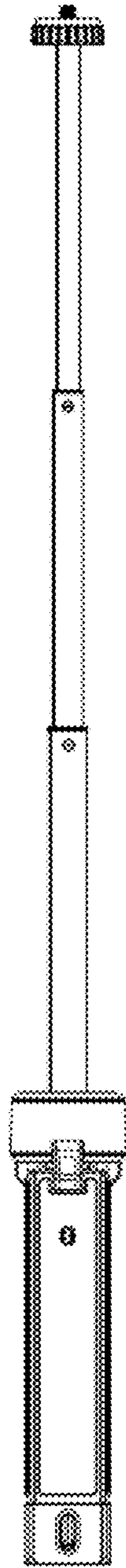


FIG. 9

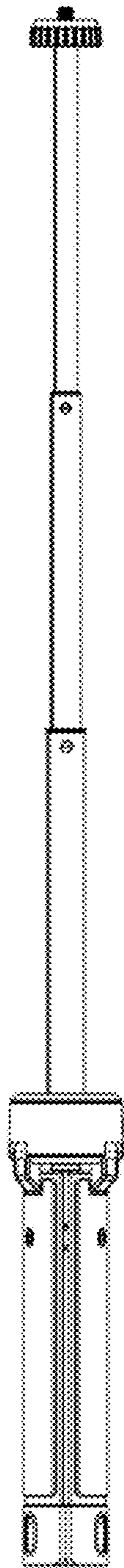


FIG. 10



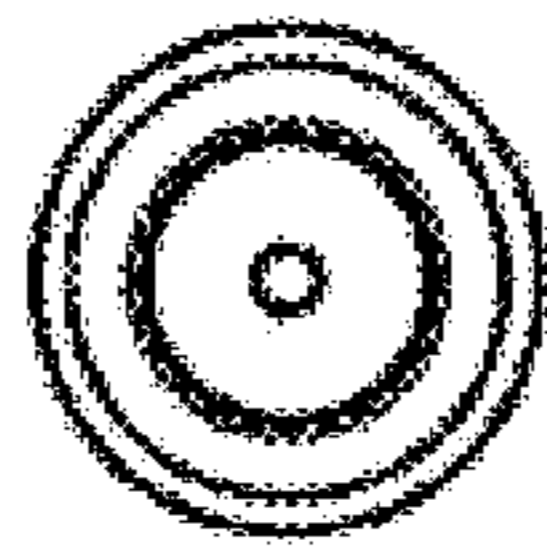


FIG. 11

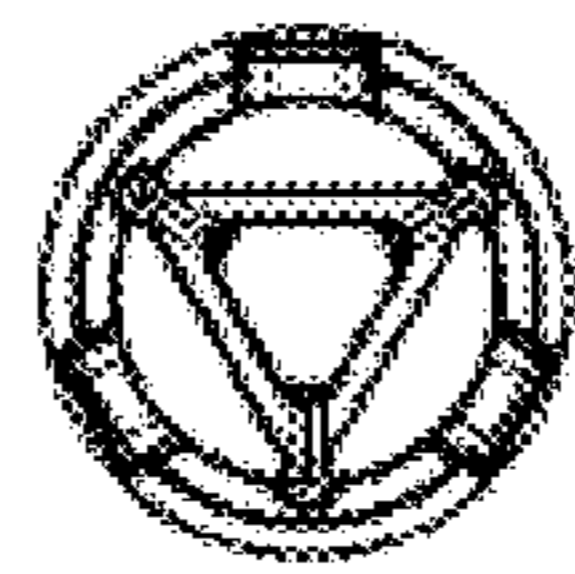


FIG. 12

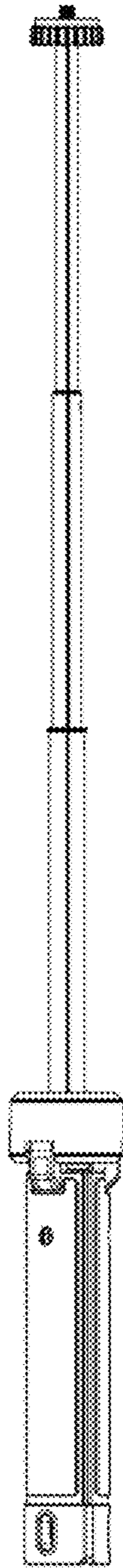


FIG. 13

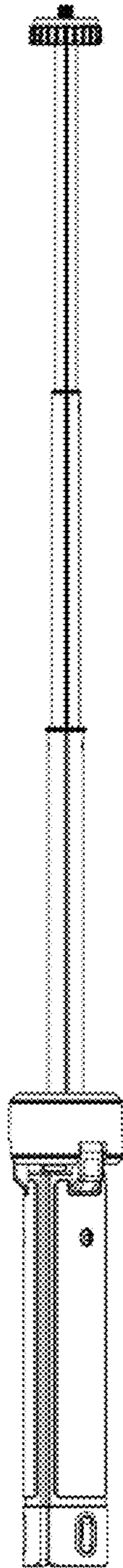


FIG. 14

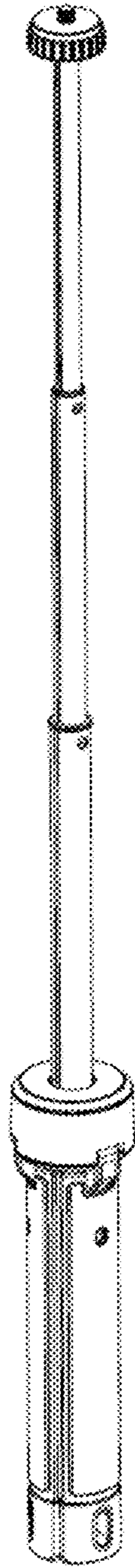


FIG. 15

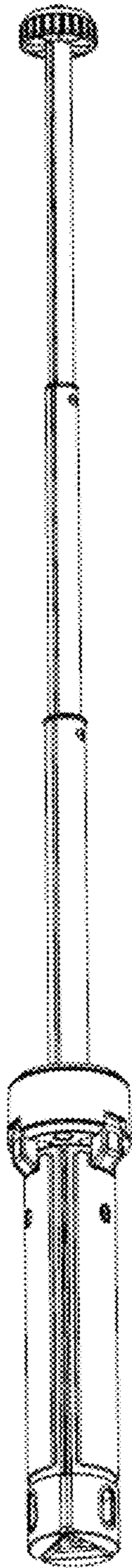


FIG. 16

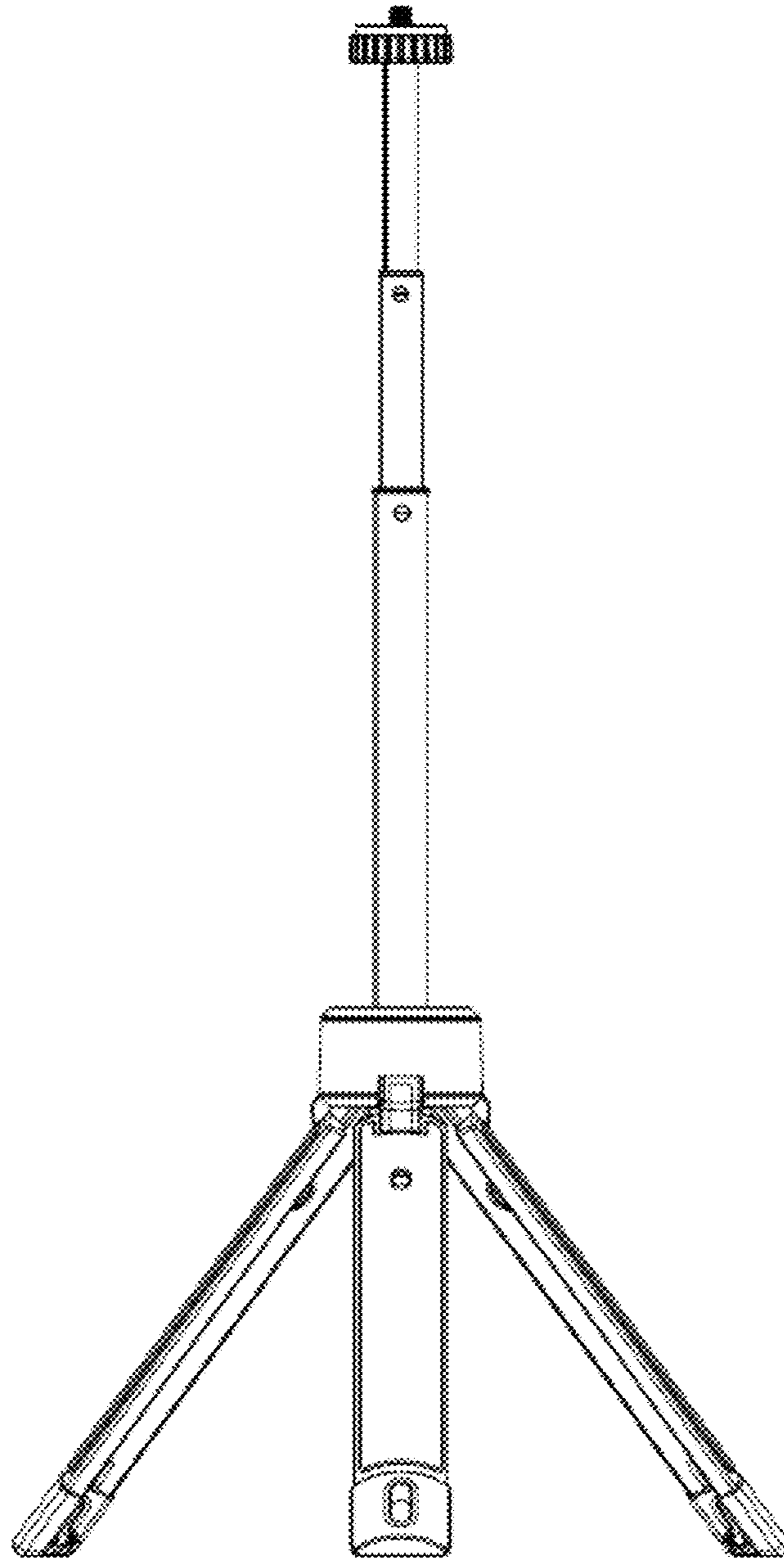


FIG. 17

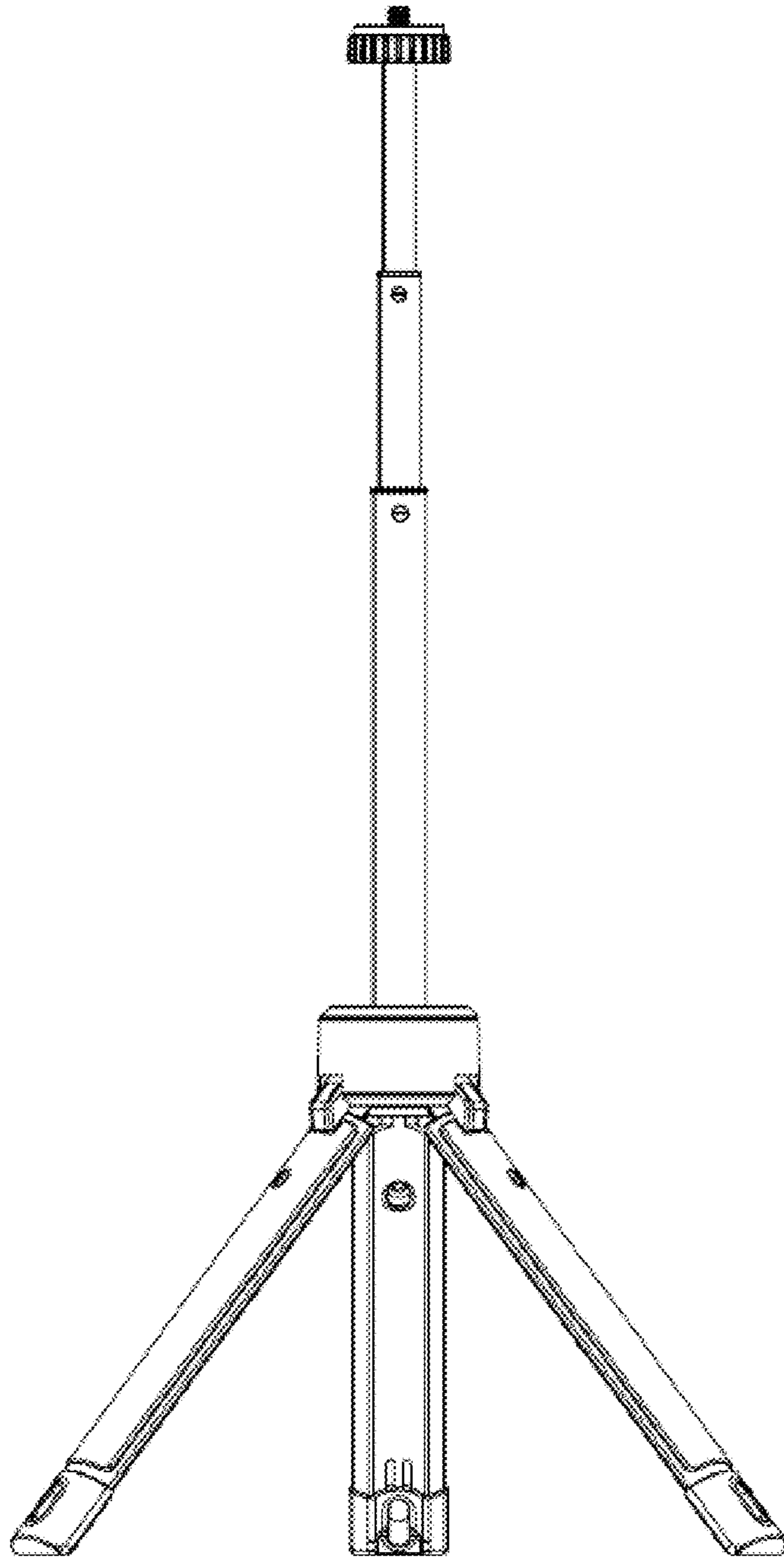


FIG. 18

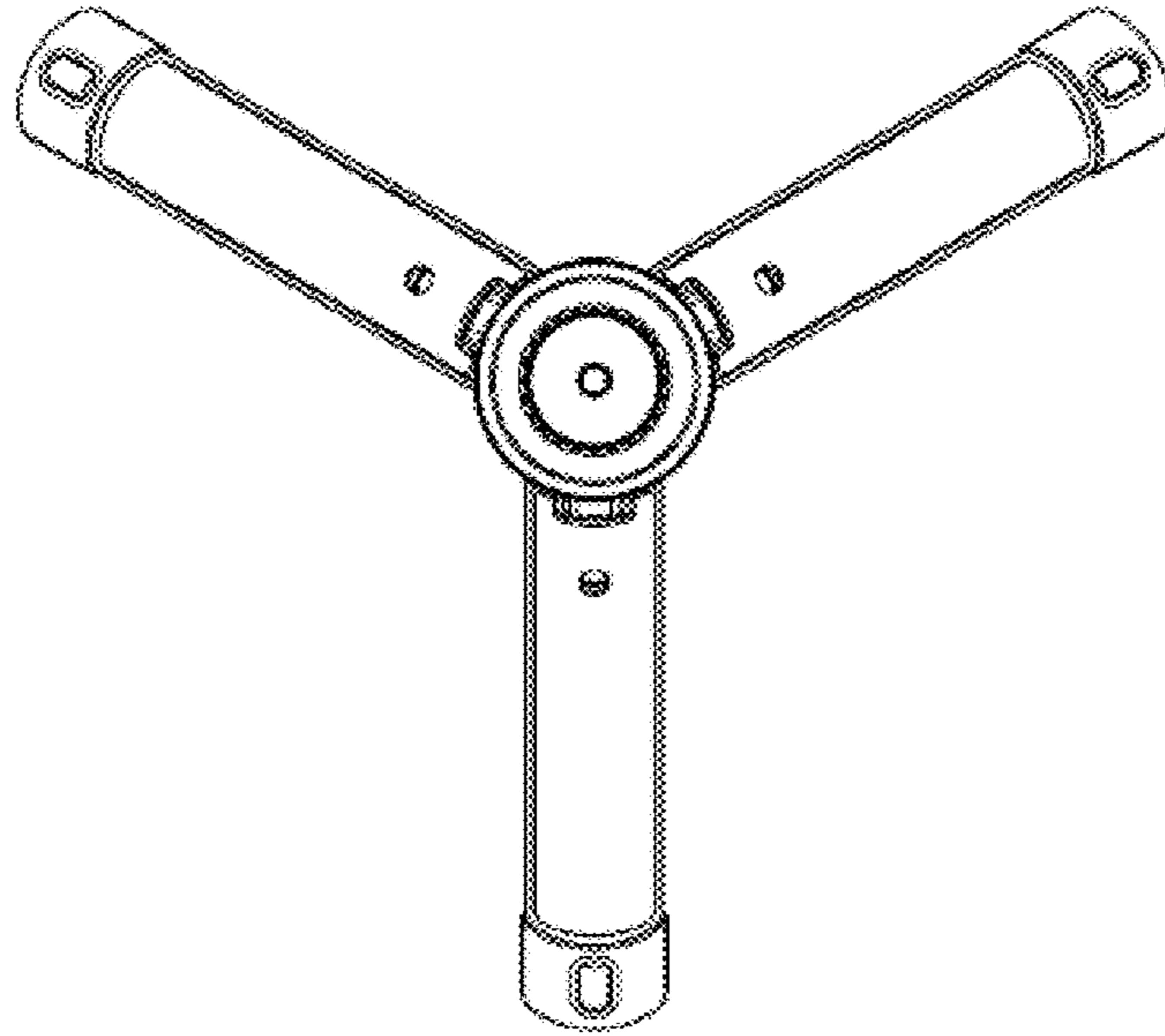


FIG. 19

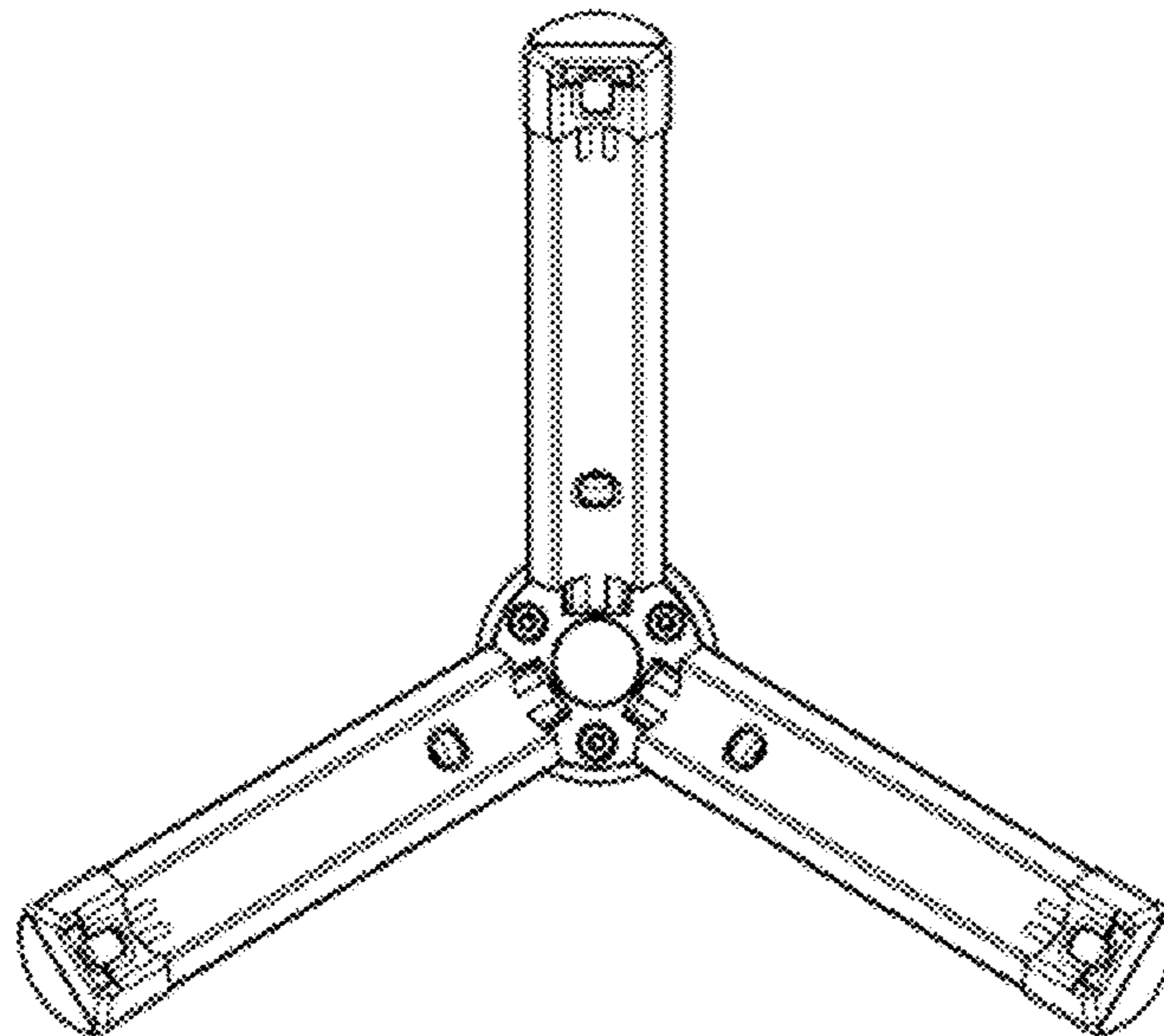


FIG. 20



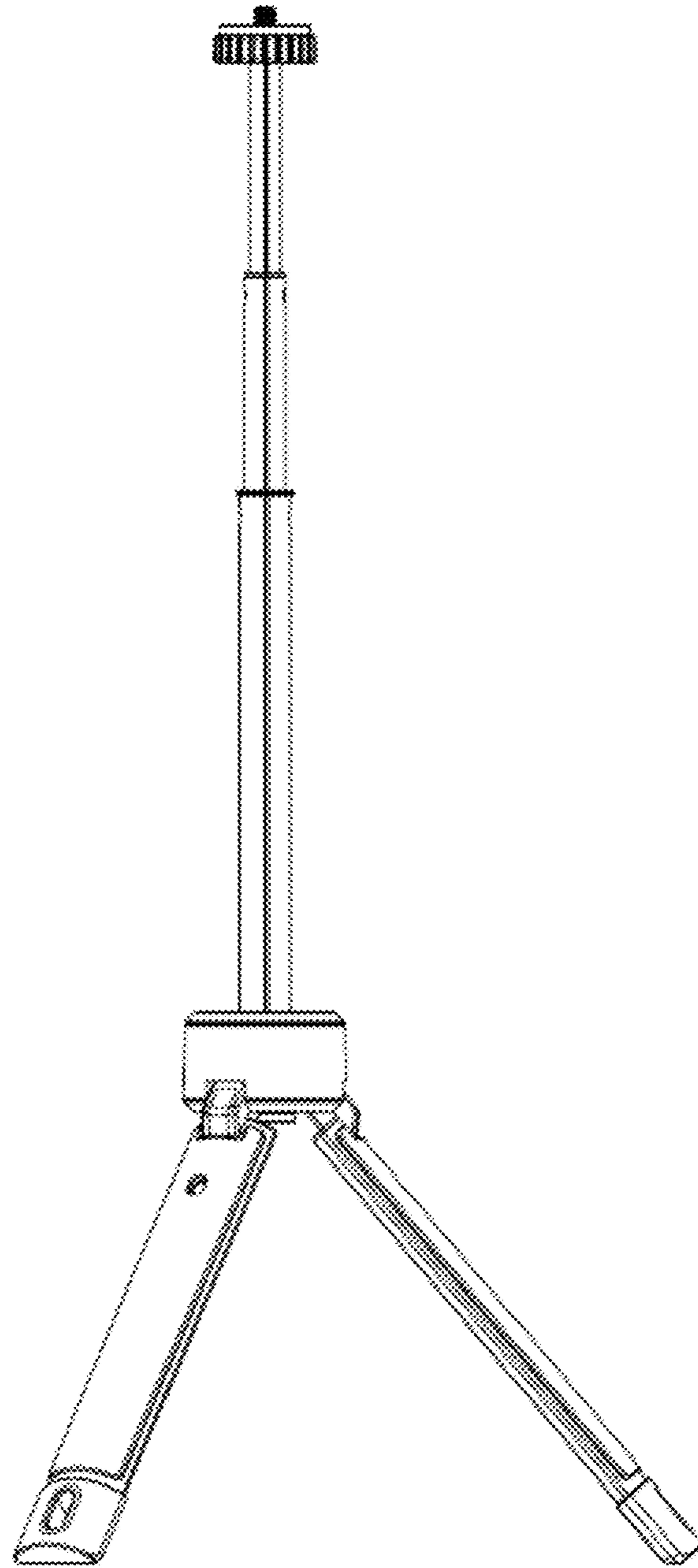


FIG. 21

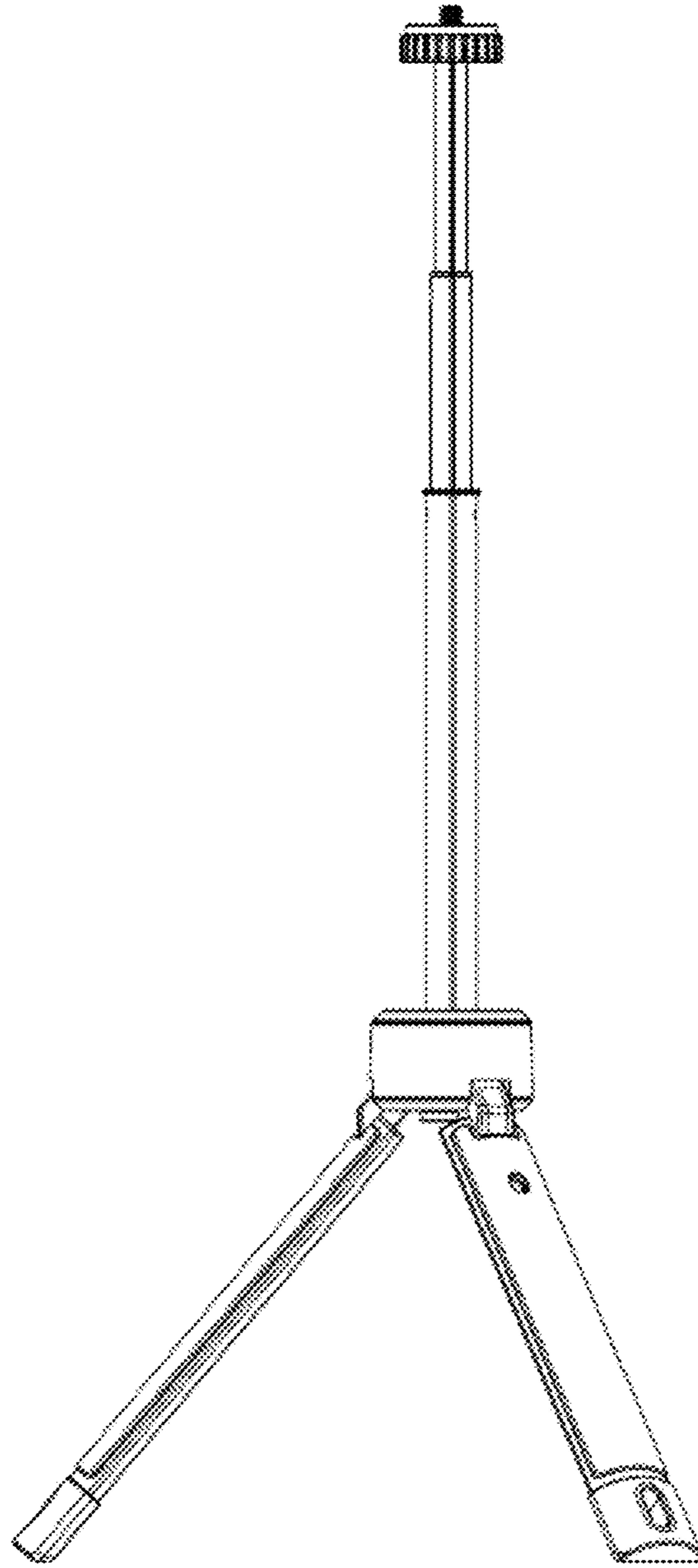


FIG. 22

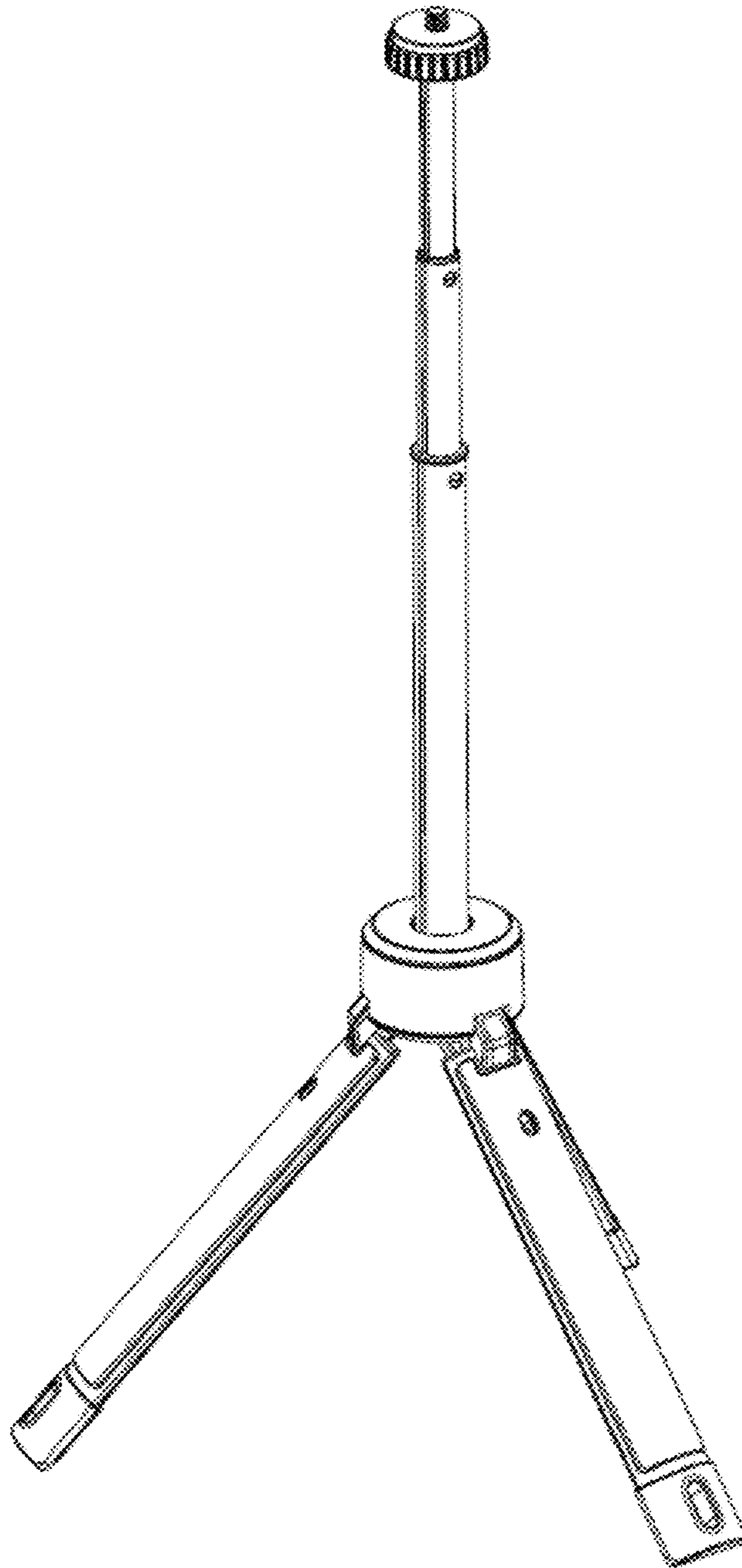


FIG. 23

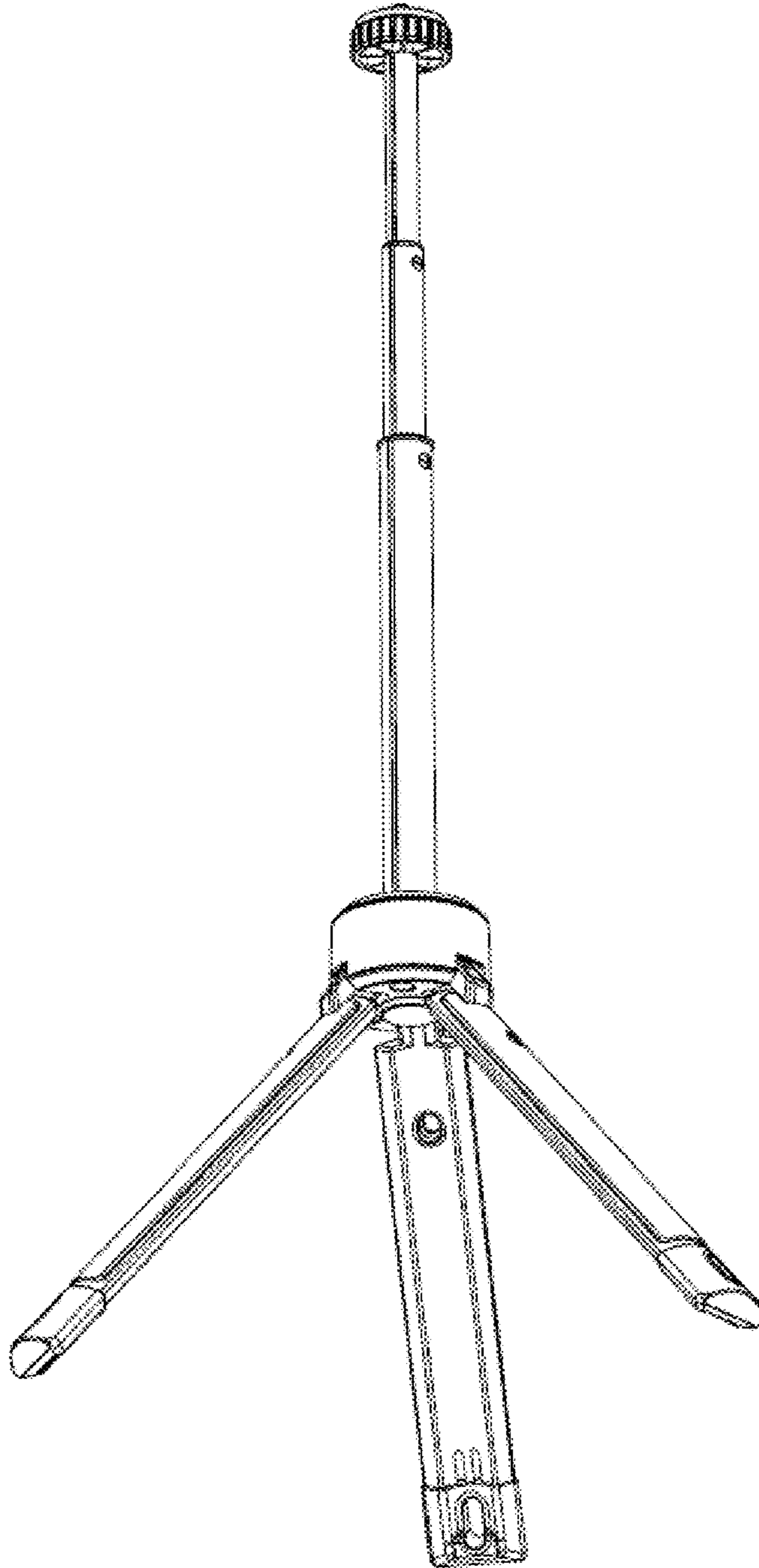


FIG. 24

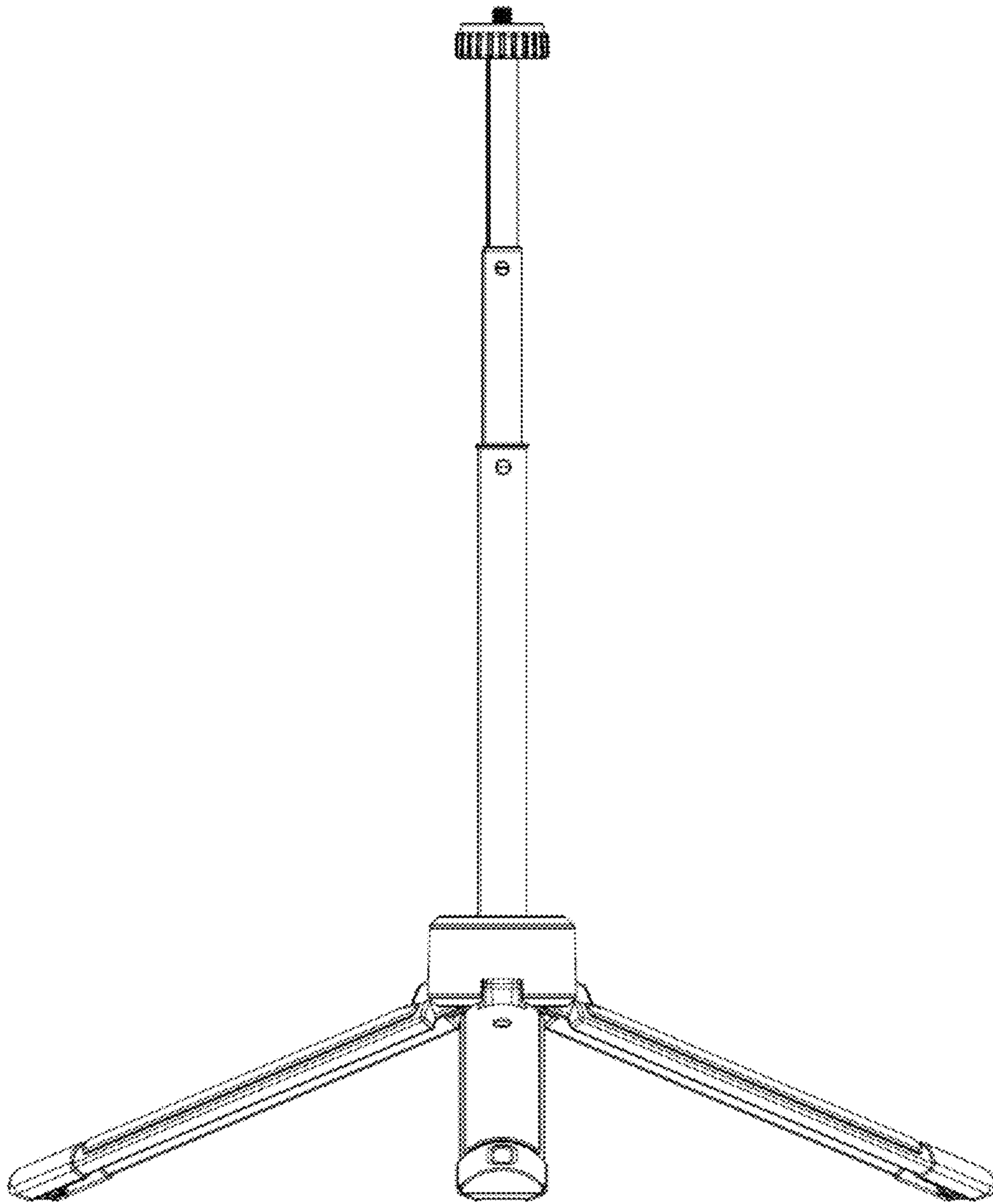


FIG. 25

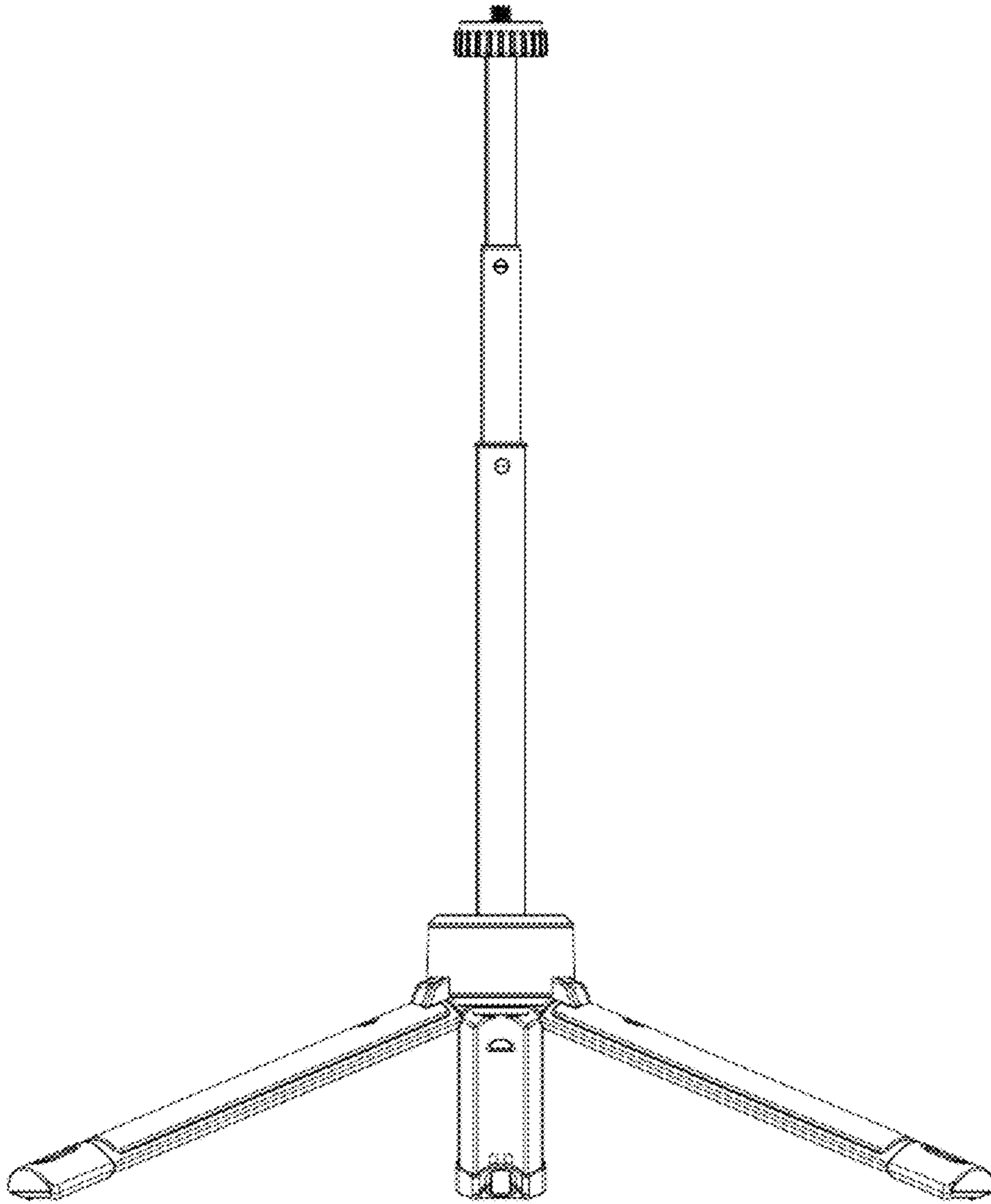


FIG. 26

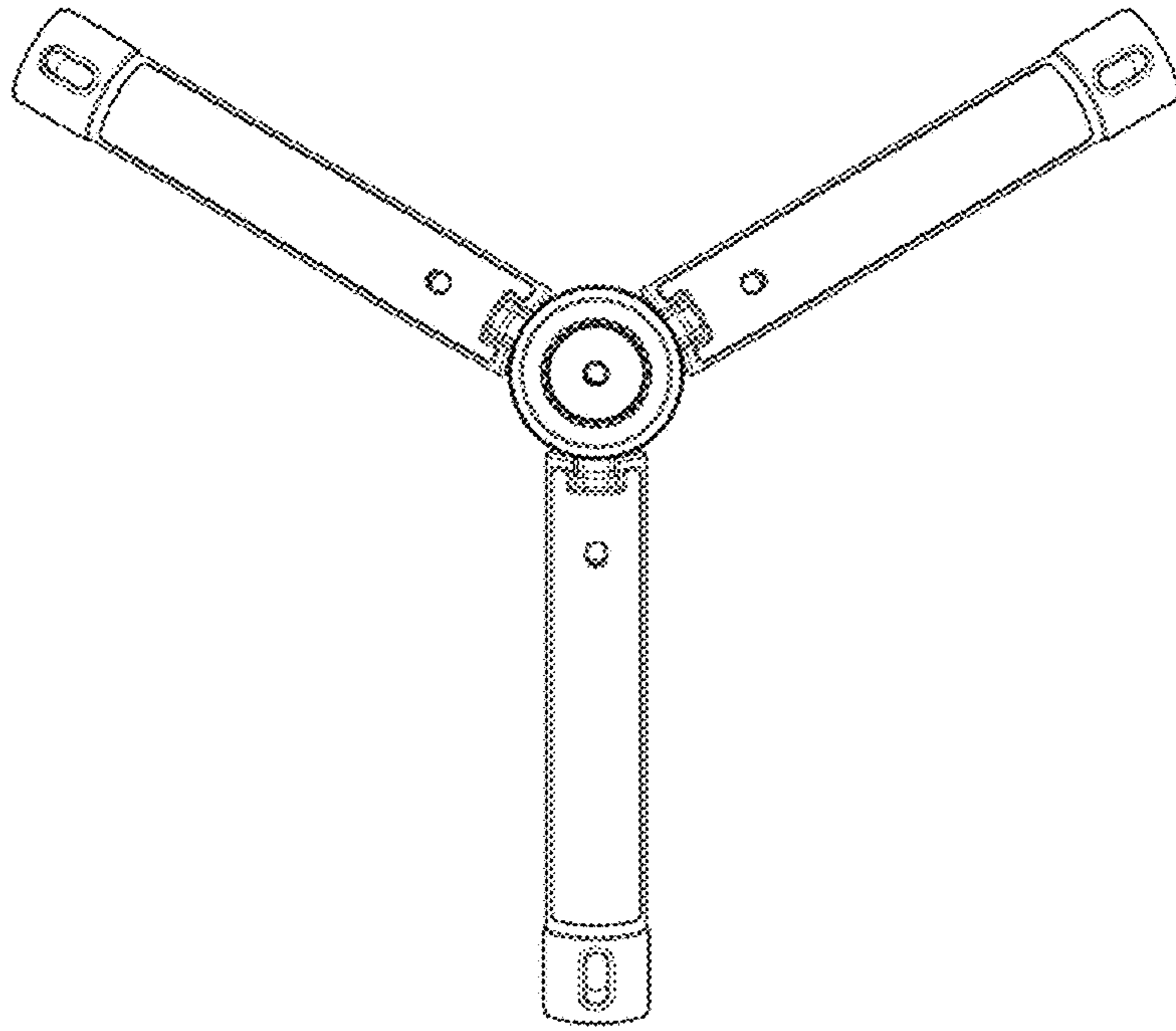


FIG. 27

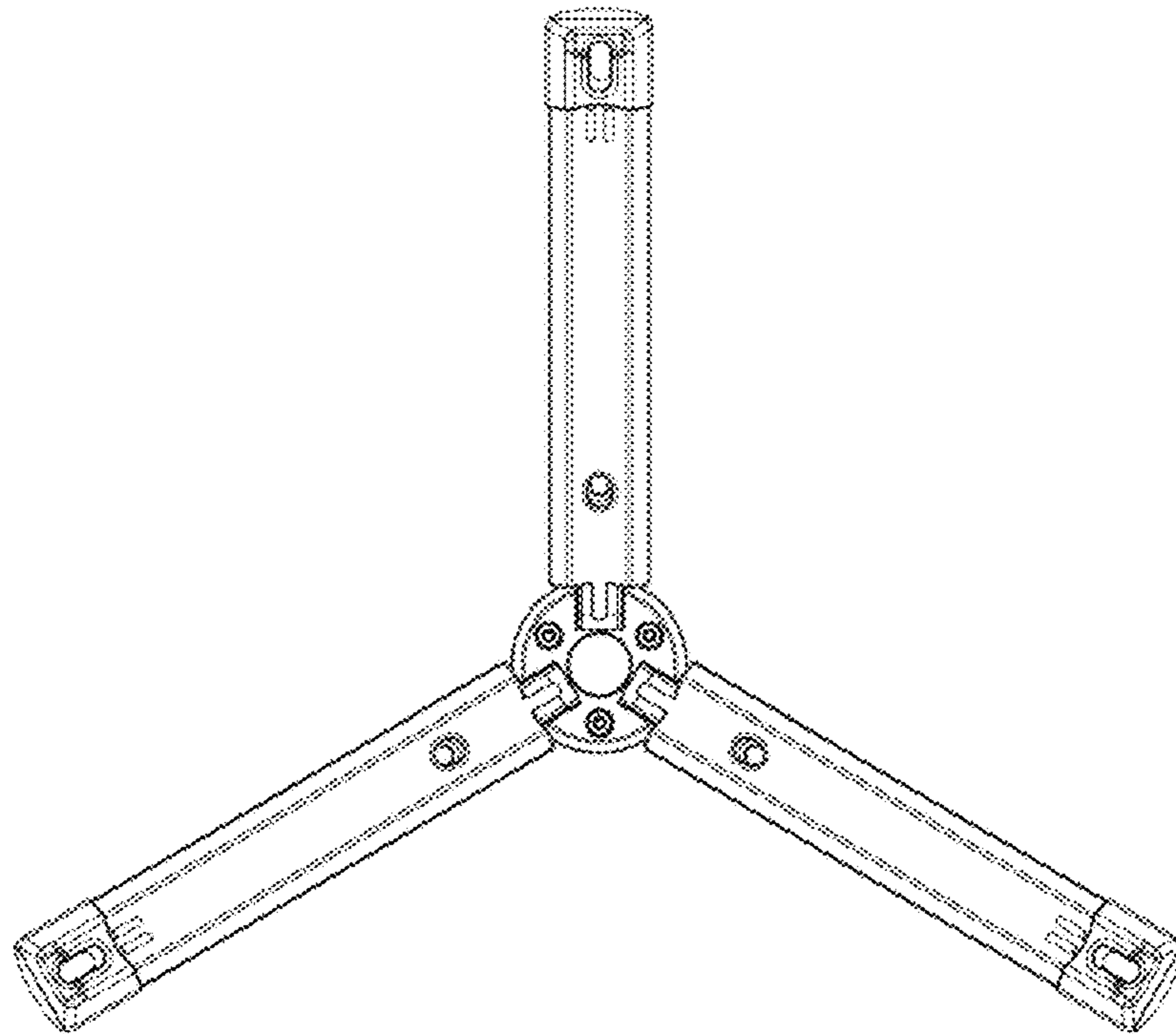


FIG. 28

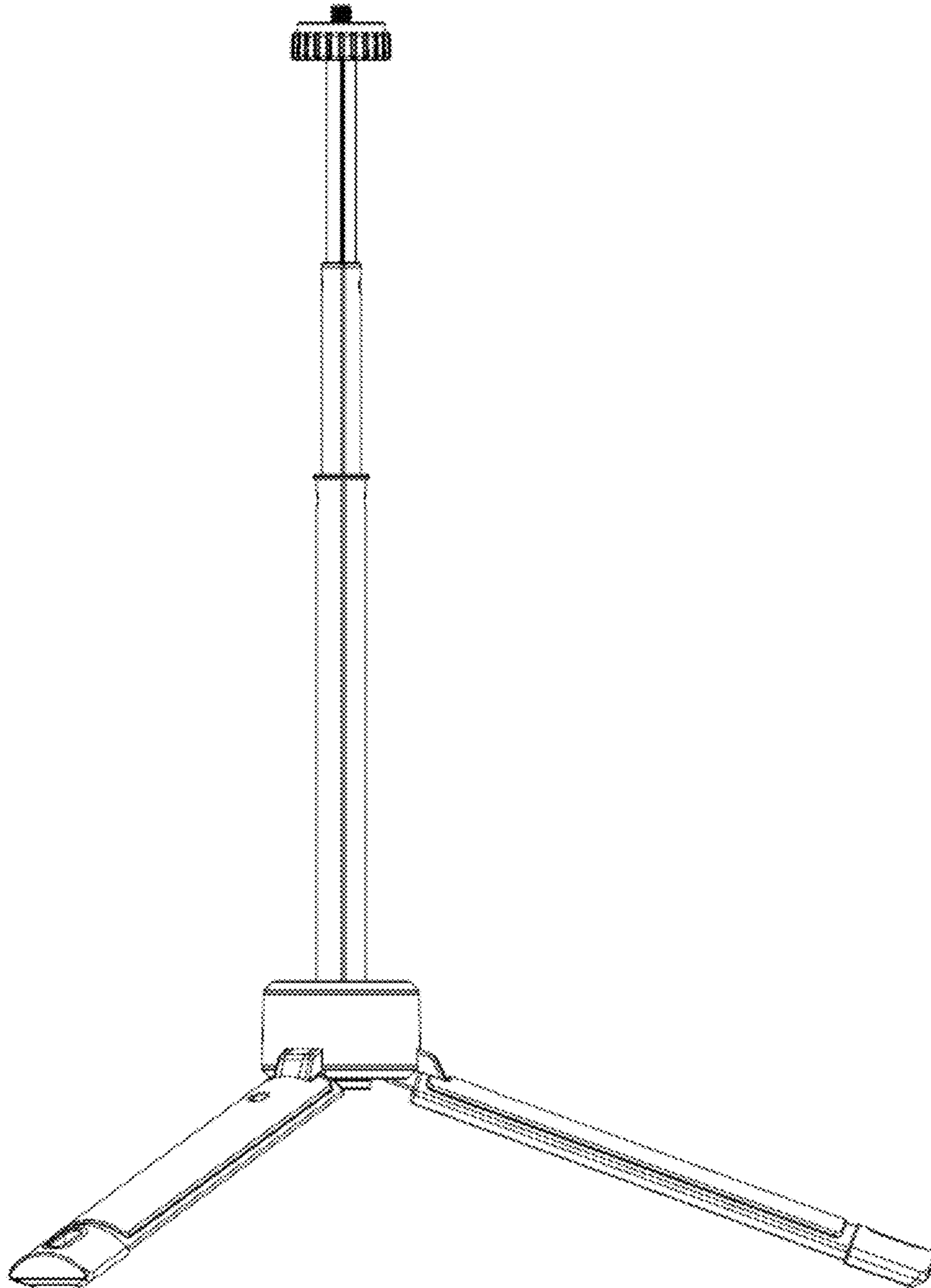


FIG. 29



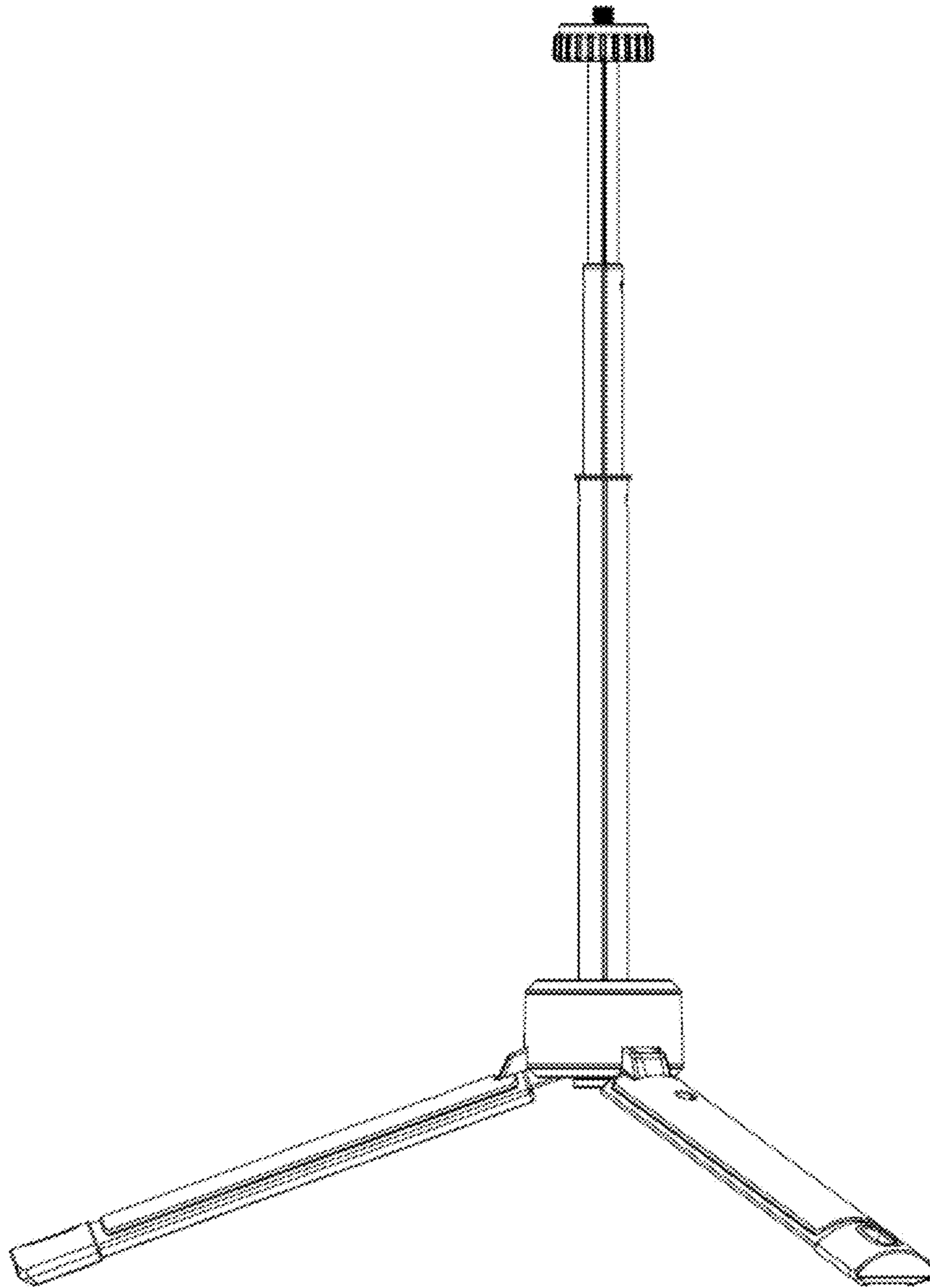


FIG. 30

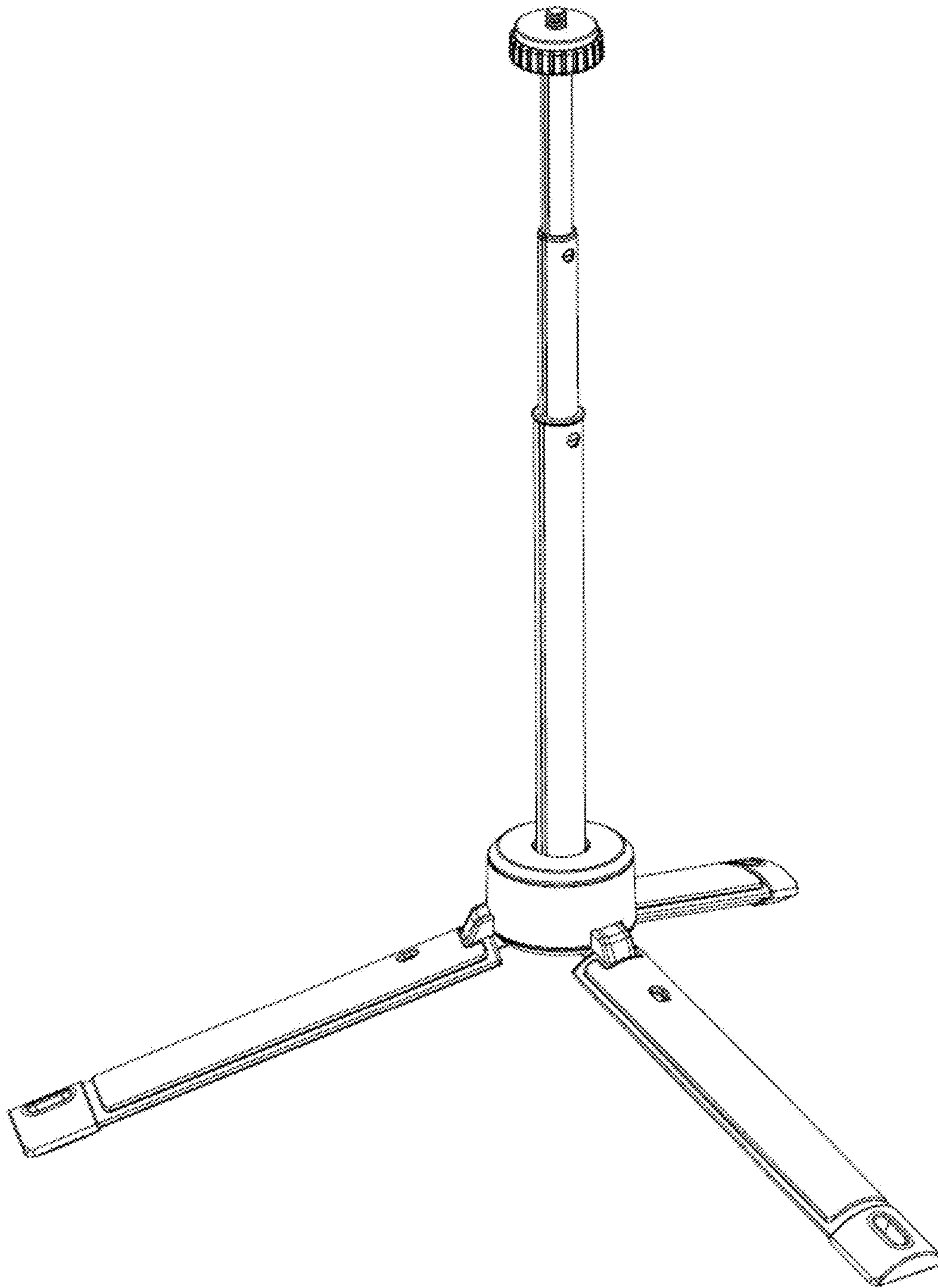


FIG. 31

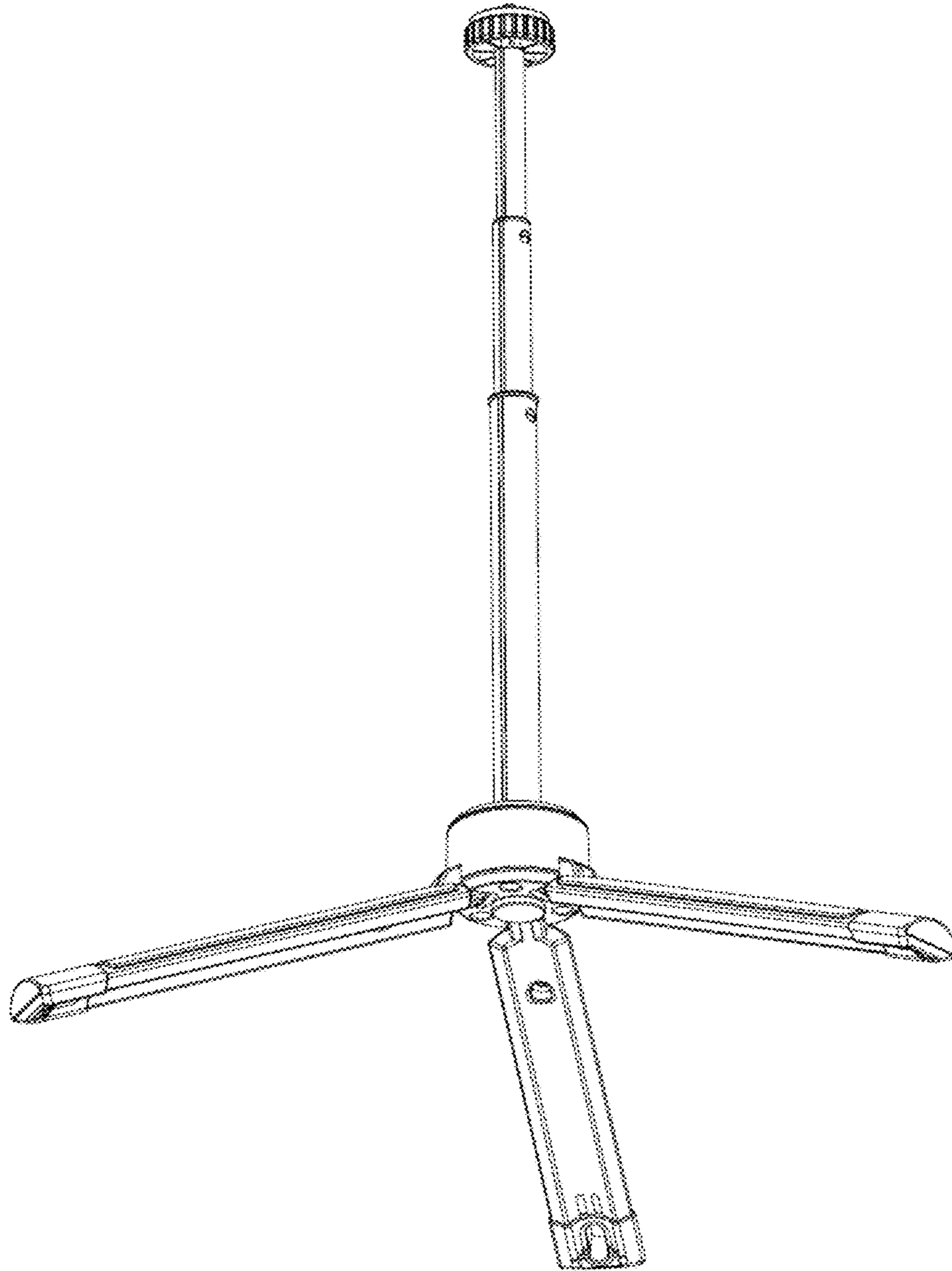


FIG. 32