



US00D860296S

(12) **United States Design Patent** (10) **Patent No.:** **US D860,296 S**
Lin (45) **Date of Patent:** **** Sep. 17, 2019**

(54) **CAMERA MOUNT**

(71) Applicant: **Radiant Images Inc.**, Los Angeles, CA (US)

(72) Inventor: **Weijan Lin**, Los Angeles, CA (US)

(73) Assignee: **Radiant Images Inc.**, Los Angeles, CA (US)

(**) Term: **15 Years**

(21) Appl. No.: **29/598,926**

(22) Filed: **Mar. 29, 2017**

(51) **LOC (12) Cl.** **16-05**

(52) **U.S. Cl.**
USPC **D16/242**

(58) **Field of Classification Search**
USPC D8/354, 355, 363, 373, 382, 383, 394,
D8/395, 396; D14/224, 229, 238, 251,
(Continued)

(56) **References Cited**

U.S. PATENT DOCUMENTS

D377,531 S * 1/1997 Bartlett D24/204
D379,359 S * 5/1997 Hupp D15/136
(Continued)

OTHER PUBLICATIONS

Radiant Images Debuts New 360 Camera Rigs at VRLA. [online]
Published Apr. 4, 2017. Retrieved May 2, 2018 from URL: <http://www.studiodaily.com/2017/04/radiant-images-debuts-new-360-camera-rigs-vrla/>.*

(Continued)

Primary Examiner — Vy N Koenig
(74) *Attorney, Agent, or Firm* — Socal IP Law Group
LLP; Jonathan Pearce

(57) **CLAIM**

The ornamental design for a camera mount, as shown and described.

DESCRIPTION

A portion of the disclosure of this patent document contains material which is subject to copyright protection. This patent document may show and/or describe matter which is or may become trade dress of the owner. The copyright and trade dress owner has no objection to the facsimile reproduction by anyone of the patent disclosure as it appears in the Patent and Trademark Office patent files or records, but otherwise reserves all copyright and trade dress rights whatsoever.

FIG. 1 is a front perspective view of a hexagonal element of a camera mount of the present design, shown separately to show aspects of the design that may not be apparent in the other views;

FIG. 2 is a side view of the hexagonal element of the camera mount of FIG. 1;

FIG. 3 is a top view of the hexagonal element of the camera mount of FIG. 1;

FIG. 4 is a front view of the hexagonal element of the camera mount of FIG. 1;

FIG. 5 is a back view of the hexagonal element of the camera mount of FIG. 1;

FIG. 6 is a front perspective view of a hexagonal element of an alternate embodiment of a camera mount of the present design, shown separately to show aspects of the design that may not be apparent in the other views;

FIG. 7 is a side view of the alternate embodiment of the hexagonal element of the camera mount of FIG. 6;

FIG. 8 is a top view of the alternate embodiment of the hexagonal element of the camera mount of FIG. 6;

FIG. 9 is a front view of the alternate embodiment of the hexagonal element of the camera mount of FIG. 6;

FIG. 10 is a back view of the alternate embodiment of the hexagonal element of the camera mount of FIG. 6;

FIG. 11 is a front perspective view of a camera mount of the present design, consisting of multiple instances of the hexagonal element shown in FIGS. 1-5;

FIG. 12 is another front perspective view of the camera mount of FIG. 11;

FIG. 13 is a top view of the camera mount of FIG. 11;

FIG. 14 is a bottom view of the camera mount of FIG. 11;

FIG. 15 is a right-side view of the camera mount of FIG. 11;

FIG. 16 is a left-side view of the camera mount of FIG. 11;

(Continued)

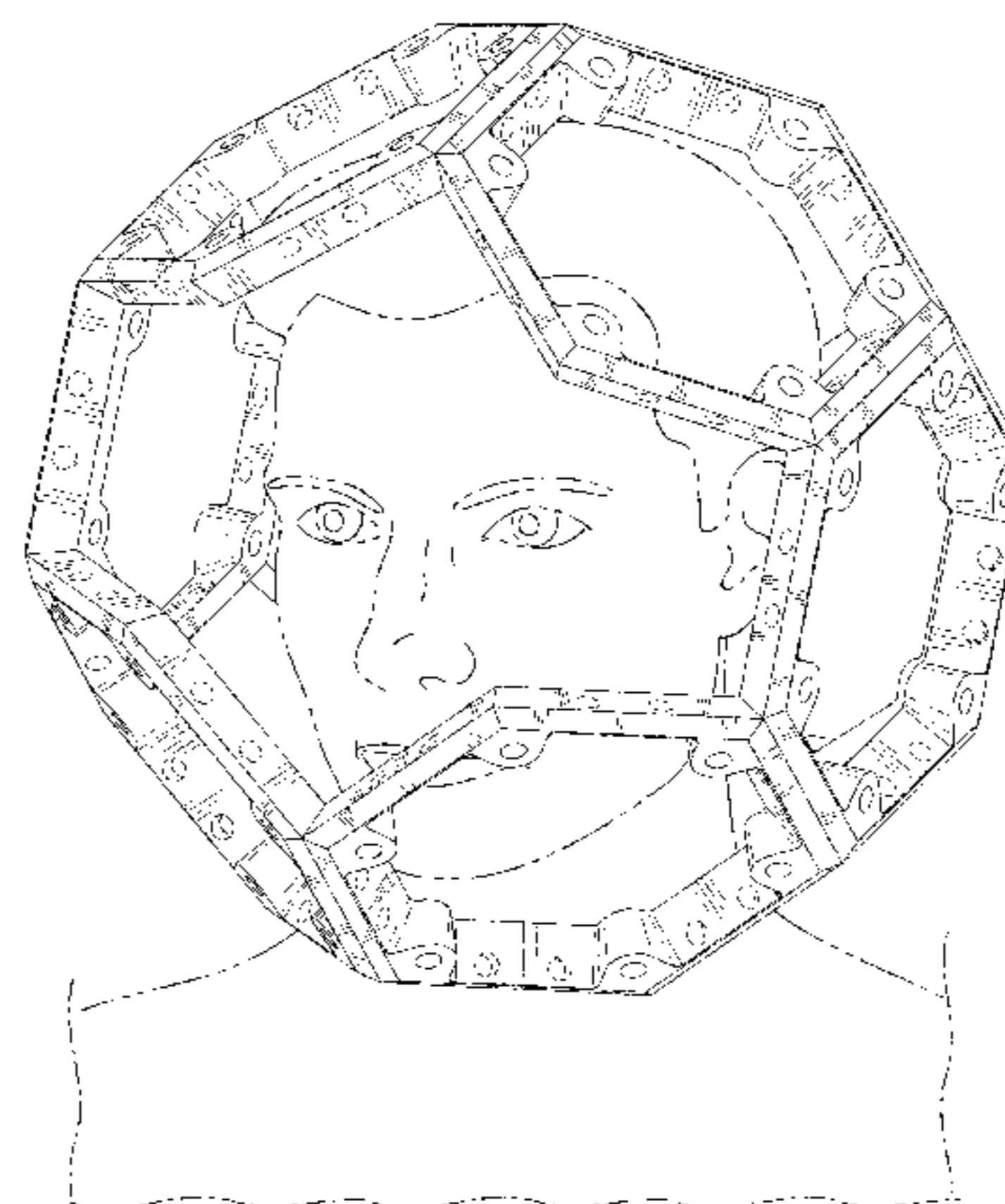
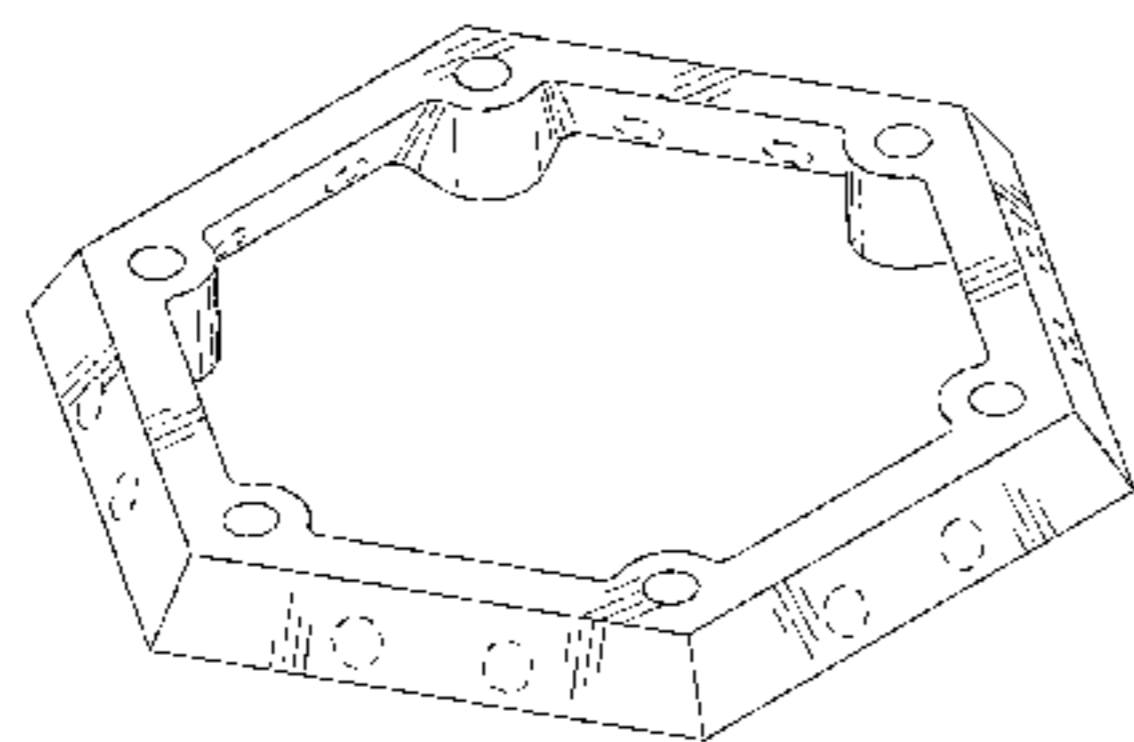


FIG. 17 is a back view of the camera mount of FIG. 11;
 FIG. 18 is a front view of the camera mount of FIG. 11;
 FIG. 19 is a front perspective view of an alternate embodiment of a camera mount of the present design, consisting of multiple instances of the hexagonal element shown in FIGS. 6-10;
 FIG. 20 is another front perspective view of the alternate embodiment of the camera mount of FIG. 19;
 FIG. 21 is a top view of the alternate embodiment of the camera mount of FIG. 19;
 FIG. 22 is a bottom view of the alternate embodiment of the camera mount of FIG. 19;
 FIG. 23 is a right-side view of the alternate embodiment of the camera mount of FIG. 19;
 FIG. 24 is a left-side view of the alternate embodiment of the camera mount of FIG. 19;
 FIG. 25 is a back view of the alternate embodiment of the camera mount of FIG. 19; and,
 FIG. 26 is a front view of the alternate embodiment of the camera mount of FIG. 19.

The broken lines shown in the drawings depict environmental subject matter only and form no part of the claimed design.

1 Claim, 16 Drawing Sheets

(58) **Field of Classification Search**

USPC D14/253, 447, 451, 457; D16/219, D16/237-250

CPC A45F 5/00; F16M 11/06-10; G02B 7/00-002; G03B 17/56; G03B 17/561; G03B 17/563; G03B 17/565; G03B 17/566; G03B 17/568; H04N 5/2253-2254

See application file for complete search history.

(56)

References Cited

U.S. PATENT DOCUMENTS

D394,616	S	*	5/1998	Niemeyer	D12/11
D443,262	S	*	6/2001	Caren	D14/224
D501,694	S	*	2/2005	Cannon	D11/90
D526,885	S	*	8/2006	Kelleghan	D8/356
D551,304	S	*	9/2007	Manvelian	D21/484
D642,046	S	*	7/2011	Gooden	D8/382
D768,228	S	*	10/2016	Muhlenkamp, IV	D16/207
D781,773	S	*	3/2017	Kim	D12/415
D788,208	S	*	5/2017	Muhlenkamp, IV	D16/200
D816,076	S	*	4/2018	Ahn	D14/253
2014/0153916	A1	*	6/2014	Kintner	G03B 17/561 396/419

OTHER PUBLICATIONS

Quick Release Plates Camera Screw for Manfrotto. [online] Retrieved May 2, 2018 from URL: https://www.ebay.com/i/253573149053?chn=ps.*

* cited by examiner

Fig. 1

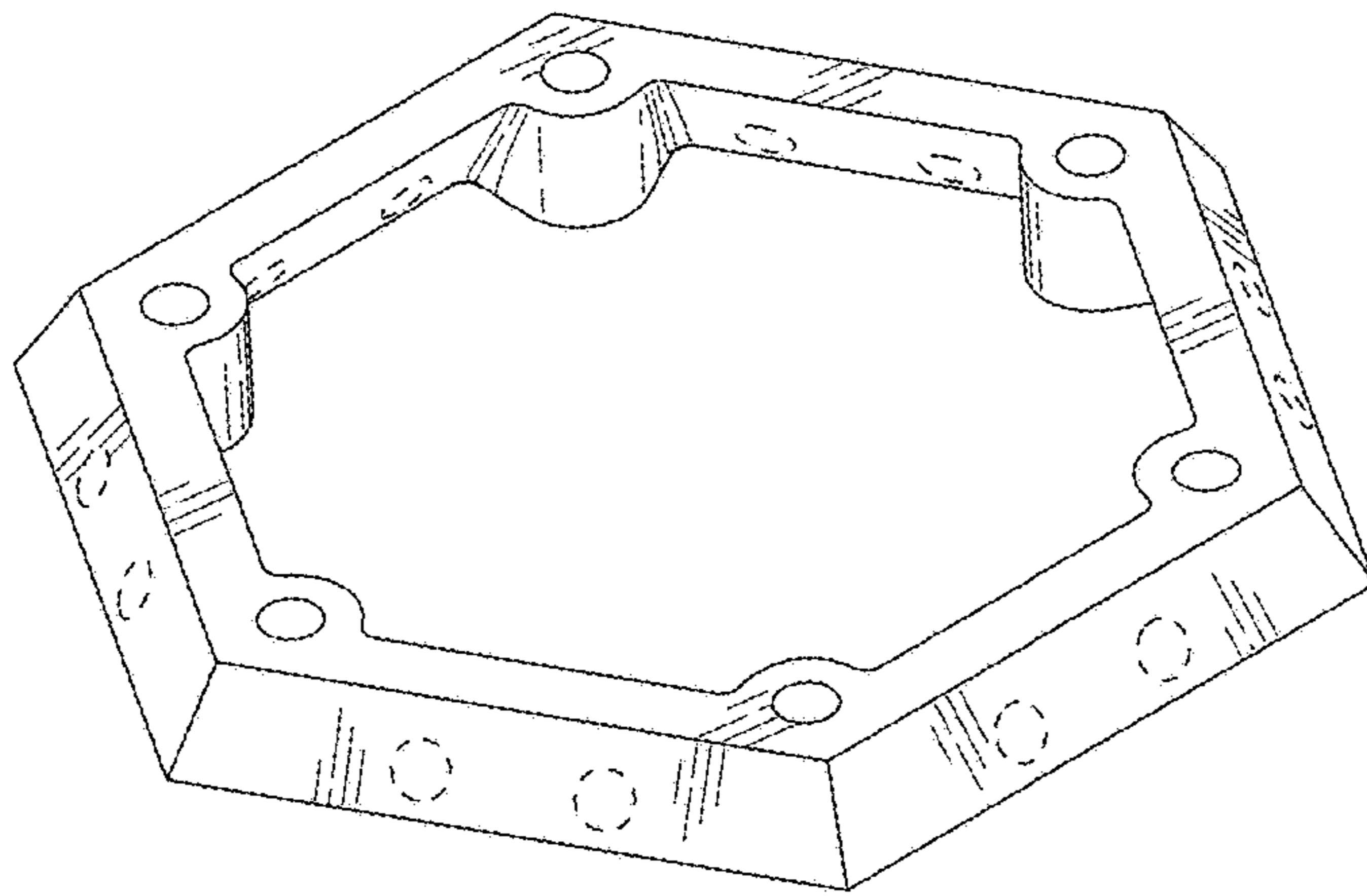


Fig. 2

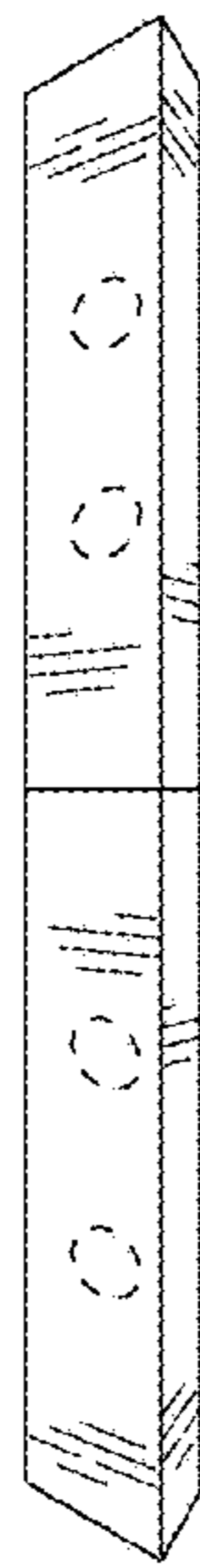


Fig. 3

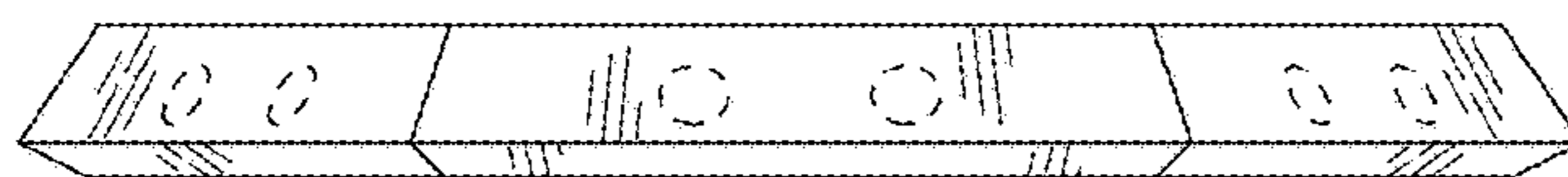


Fig. 4

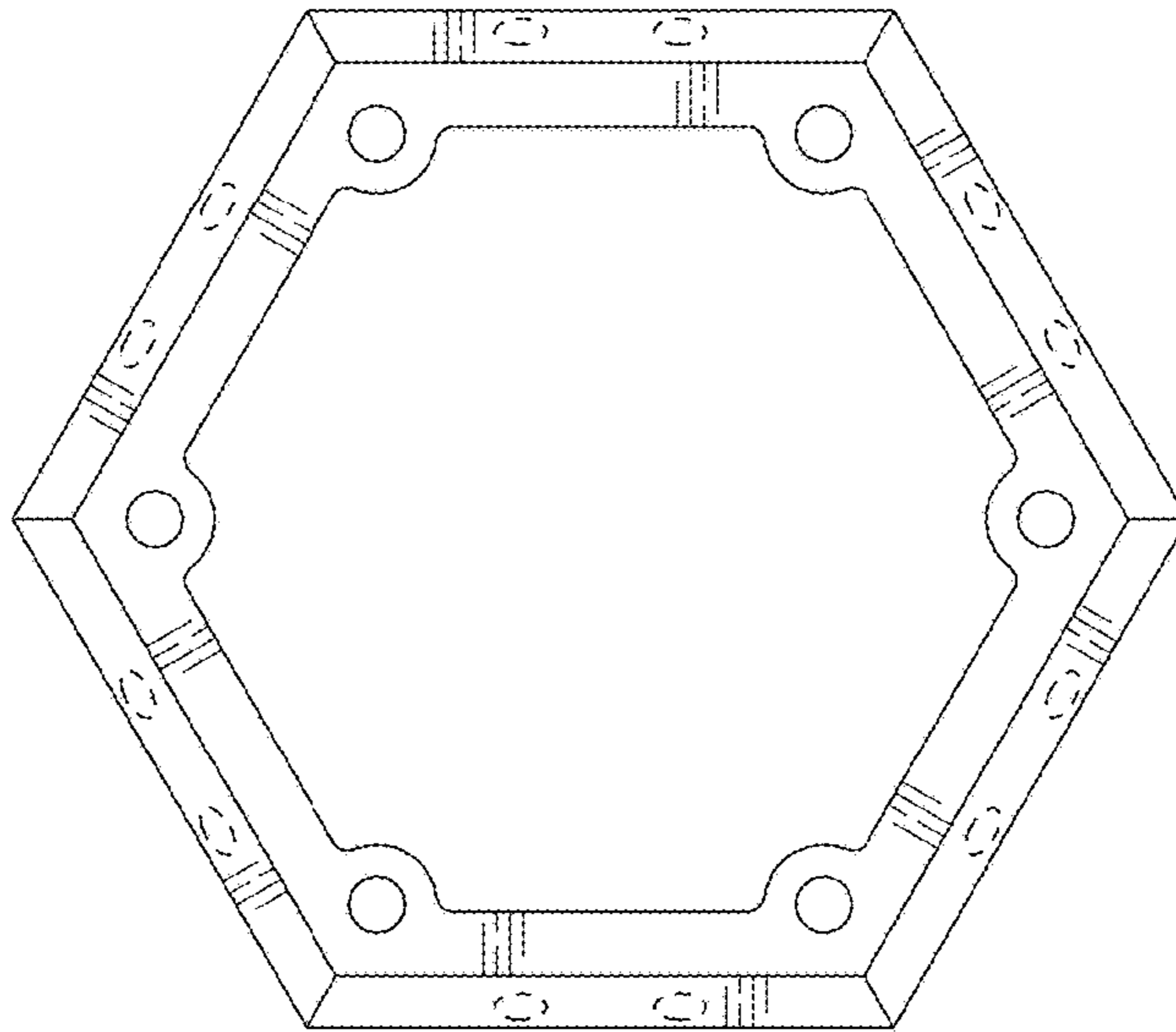


Fig. 5

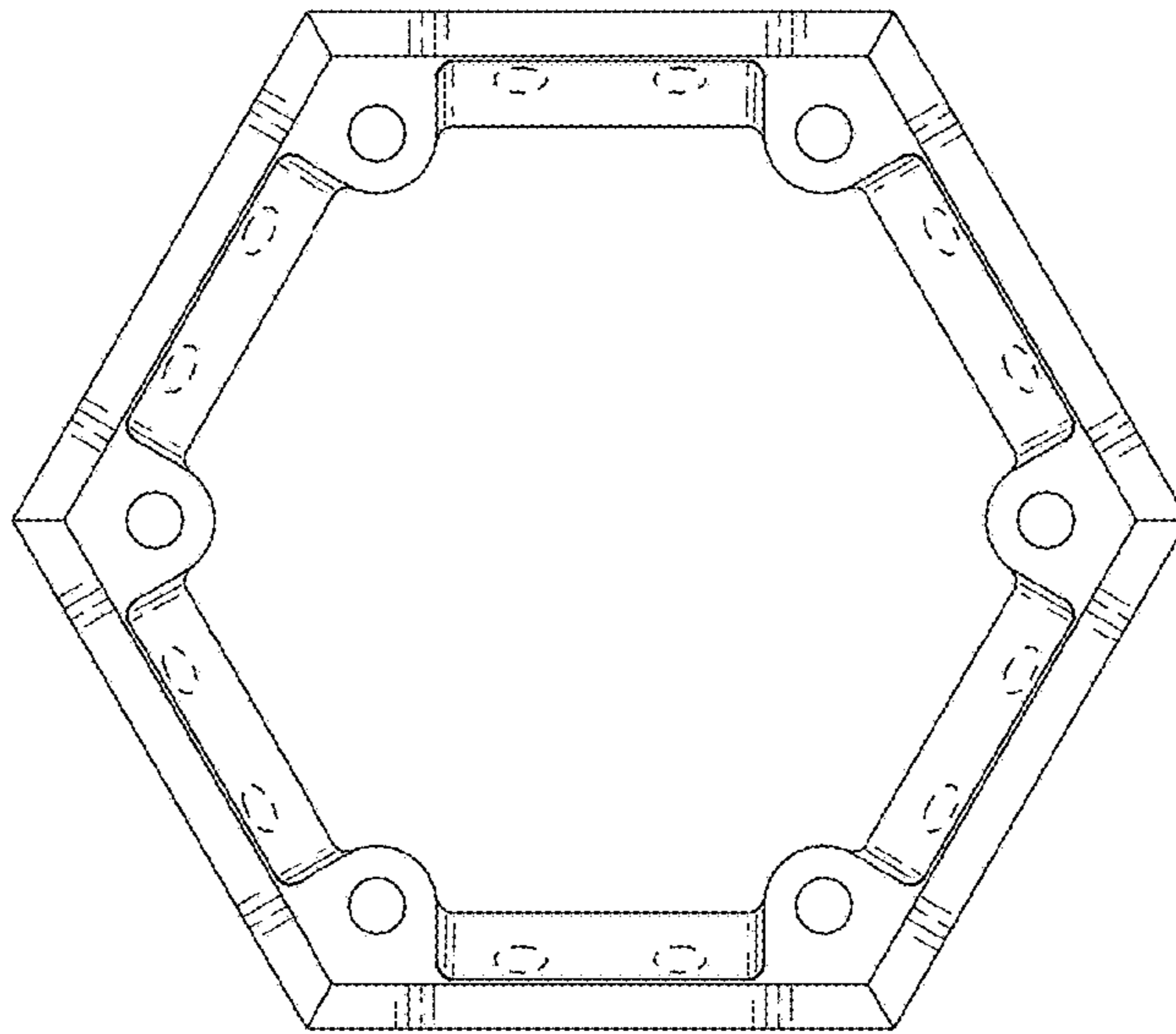


Fig. 6

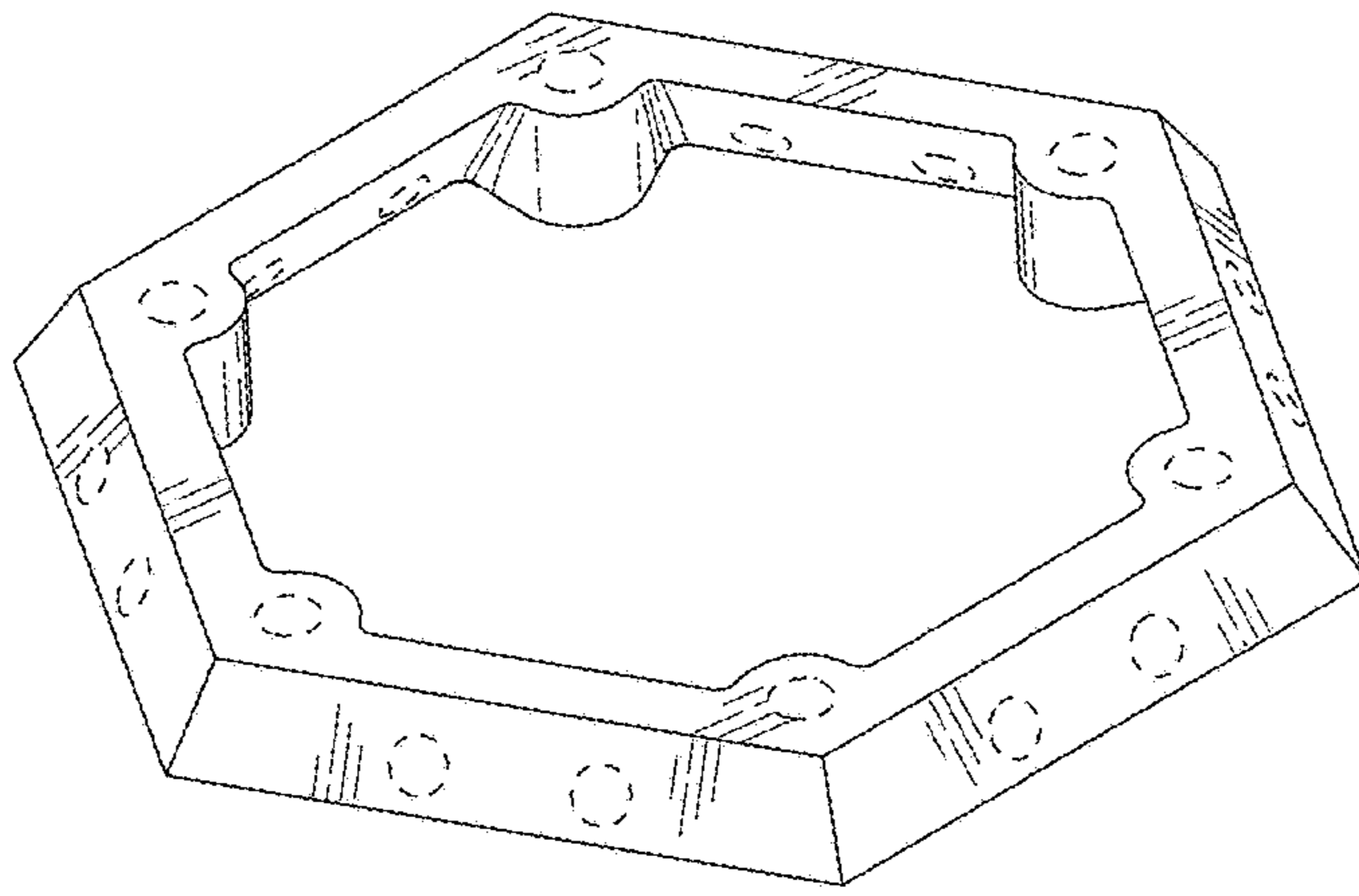


Fig. 7

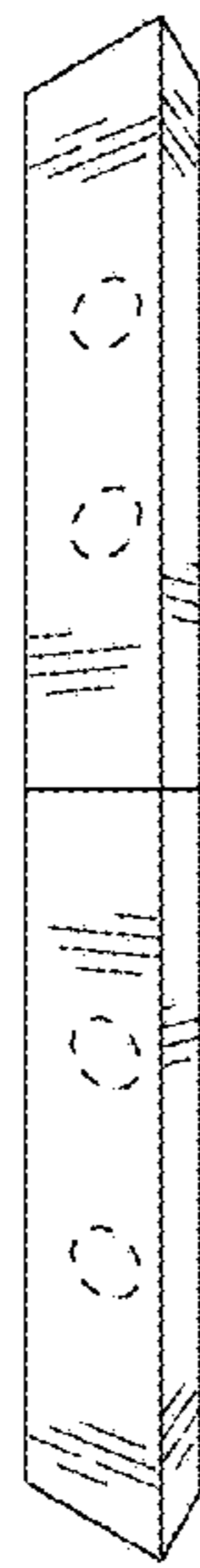


Fig. 8

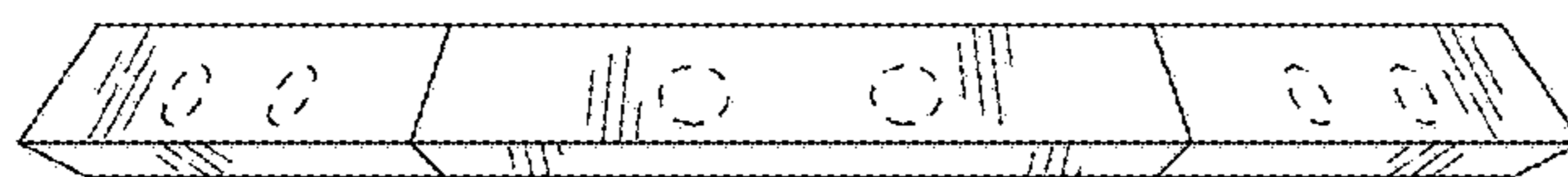


Fig. 9

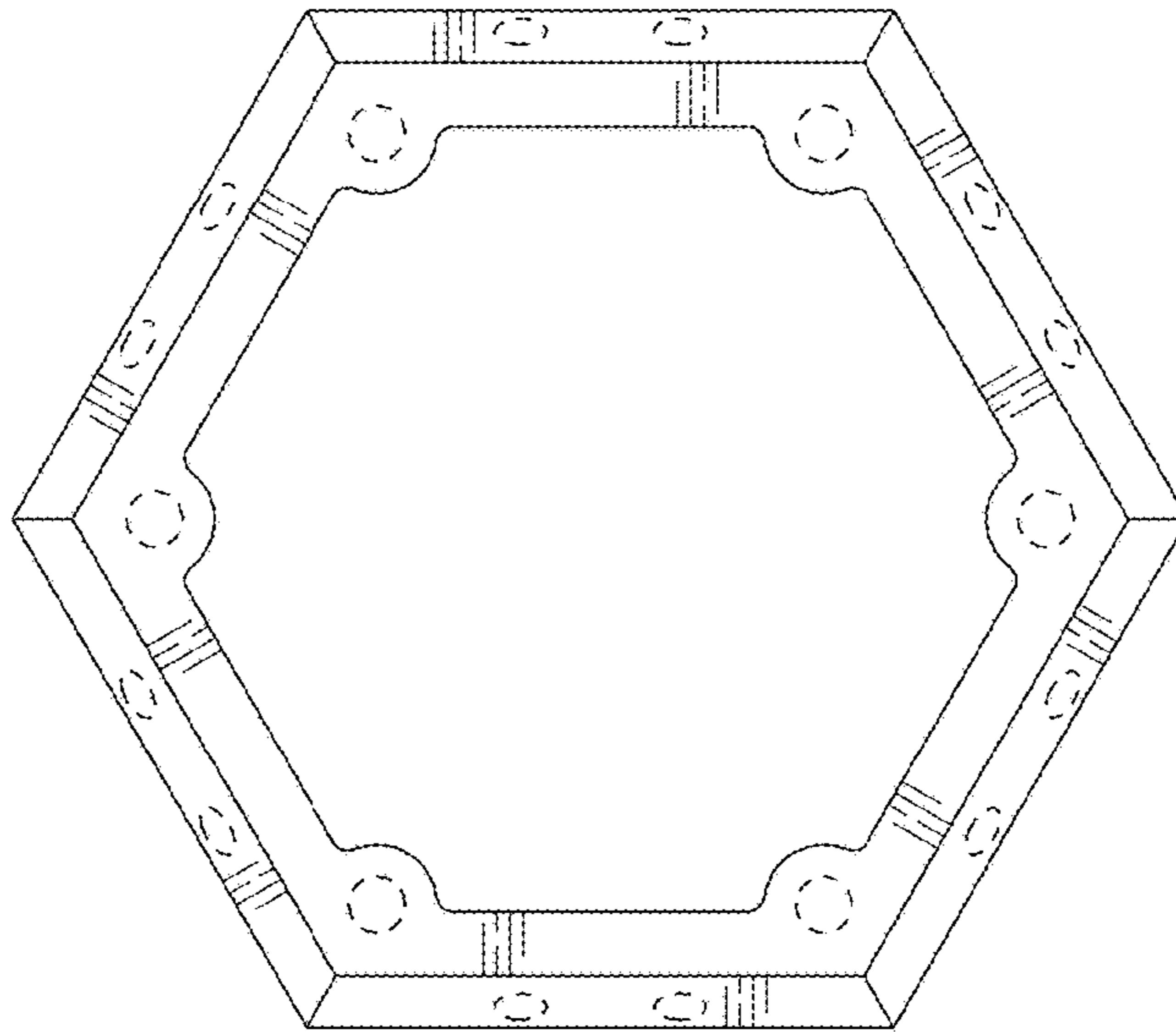


Fig. 10

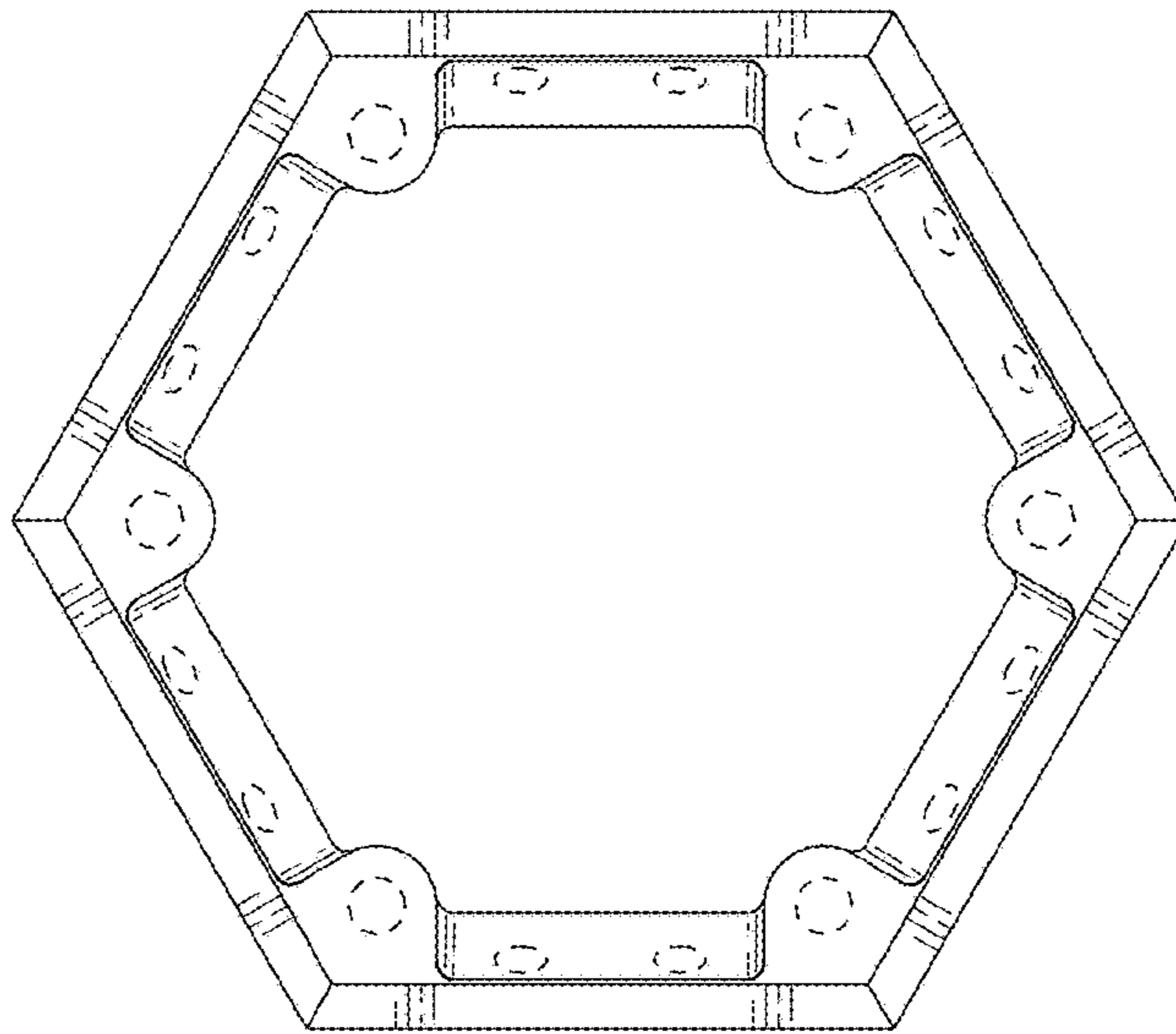


Fig. 11

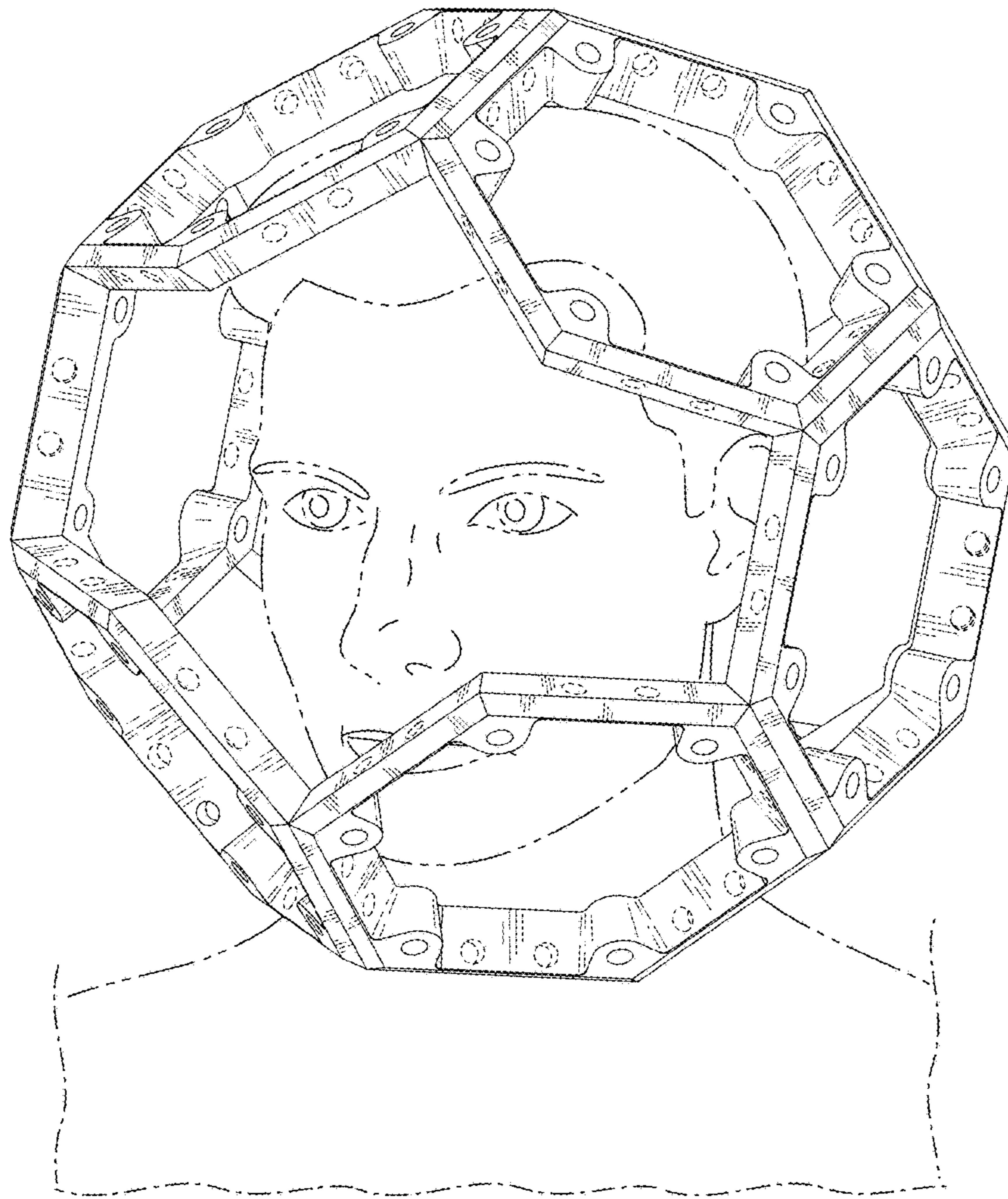


Fig. 12

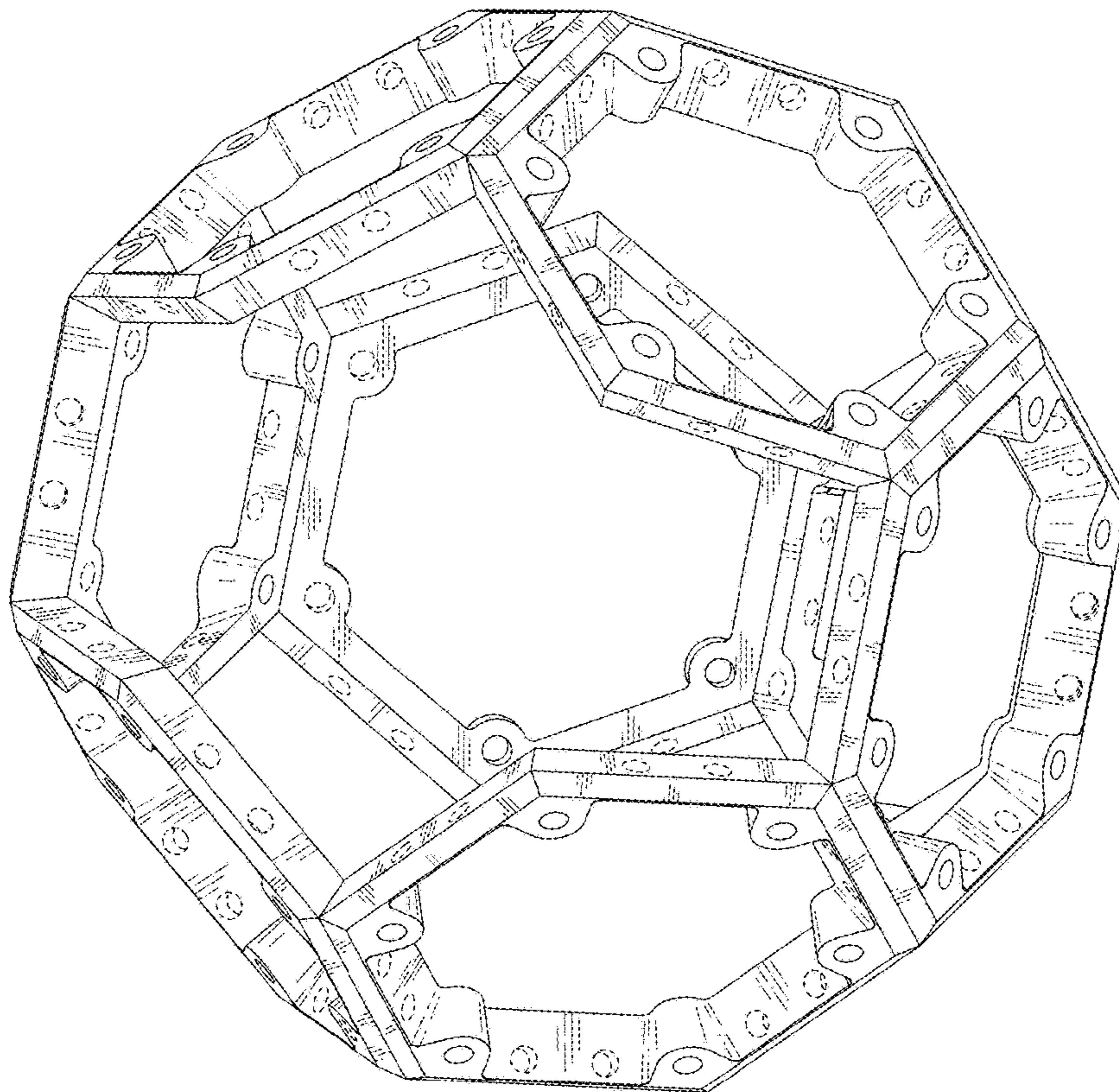


Fig. 14

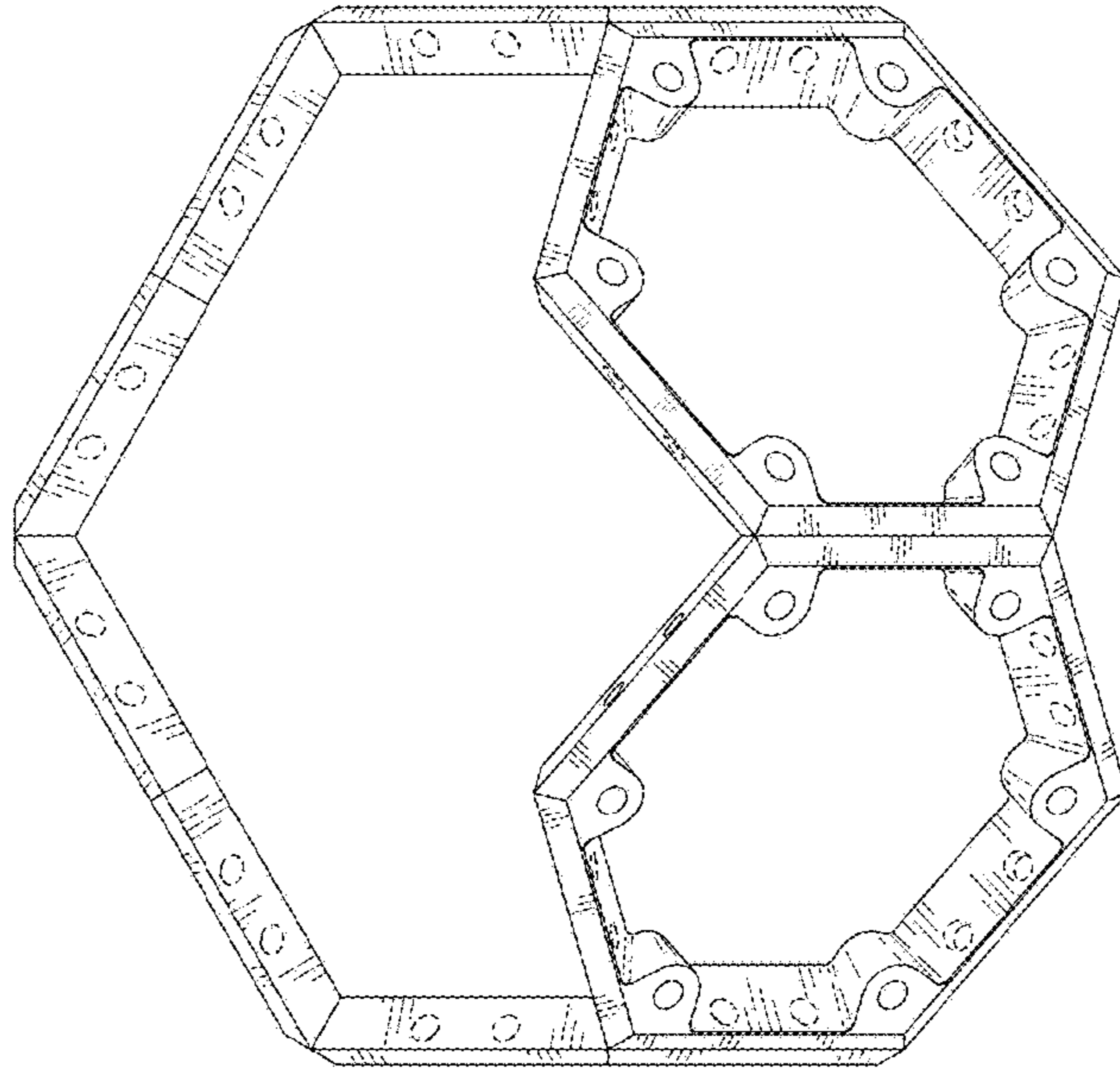


Fig. 13

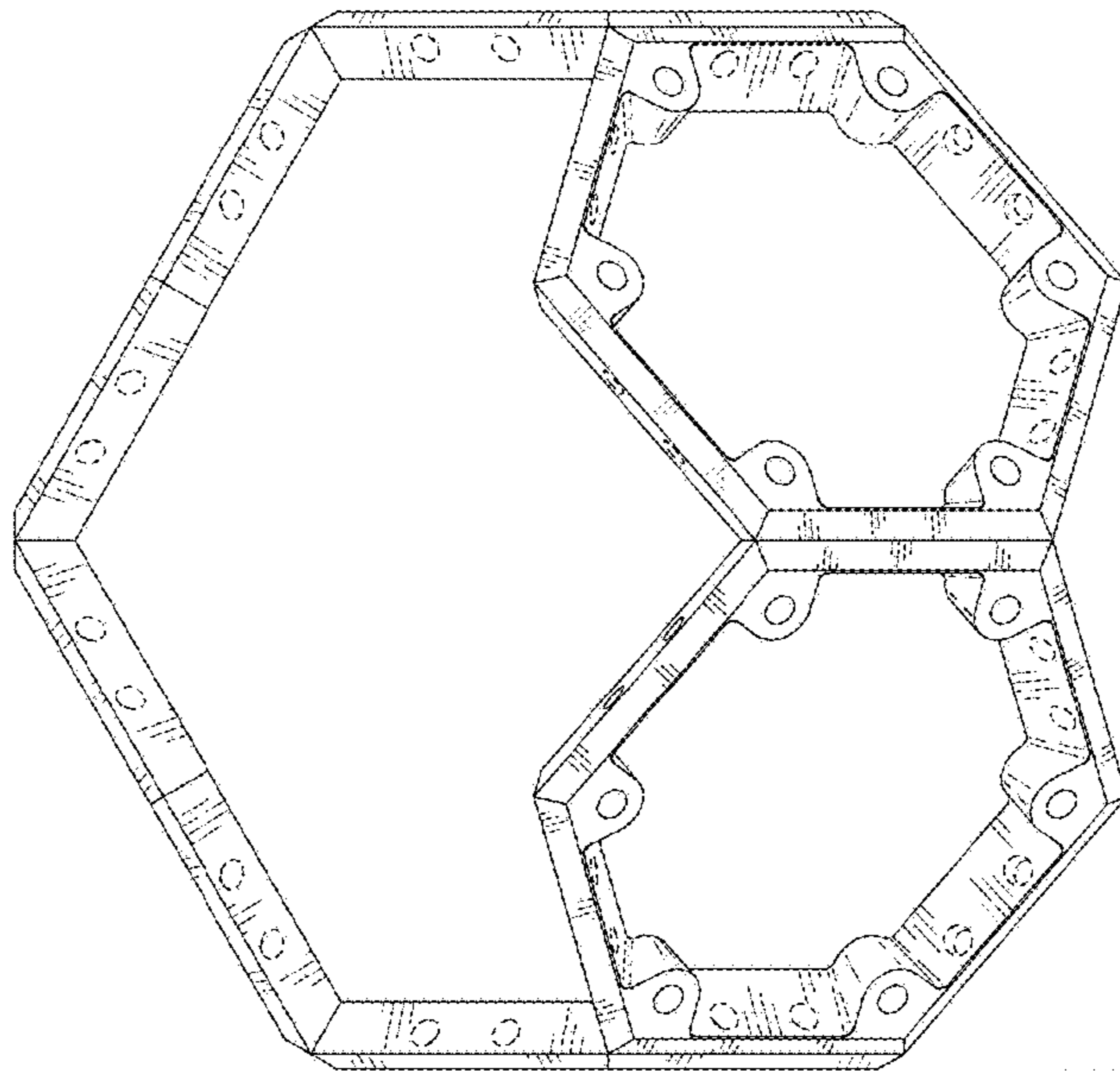


Fig. 16

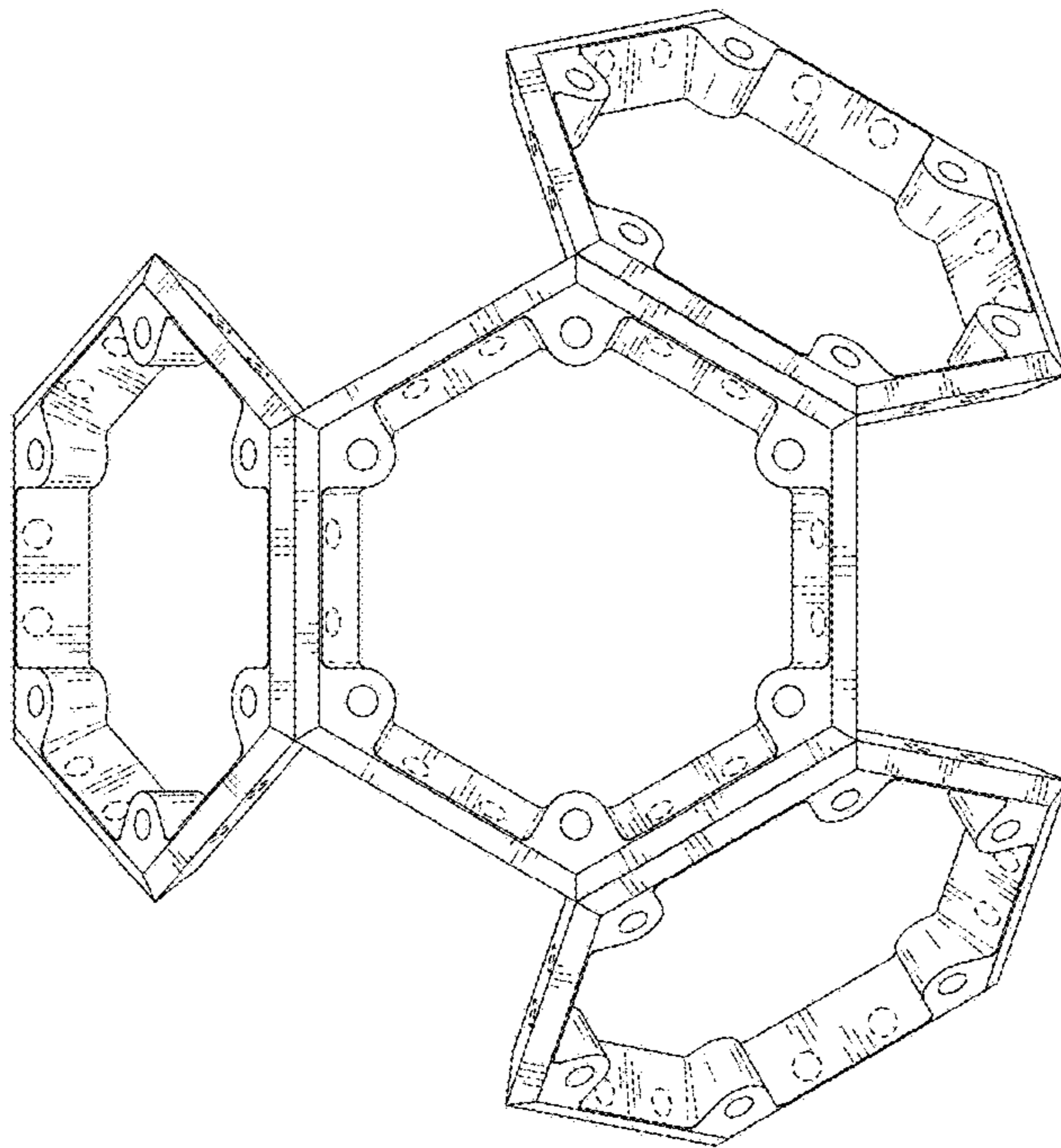


Fig. 15

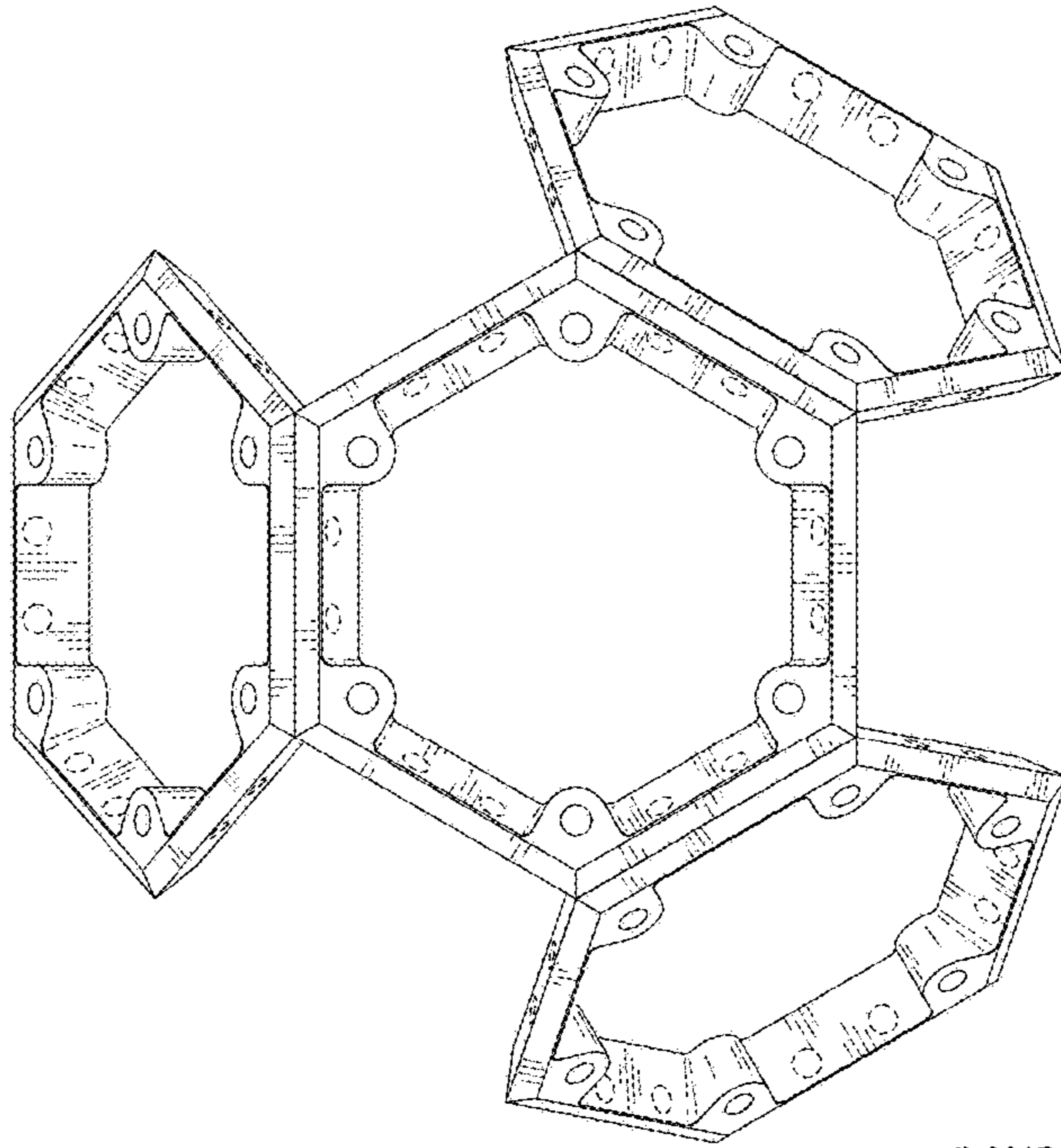


Fig. 18

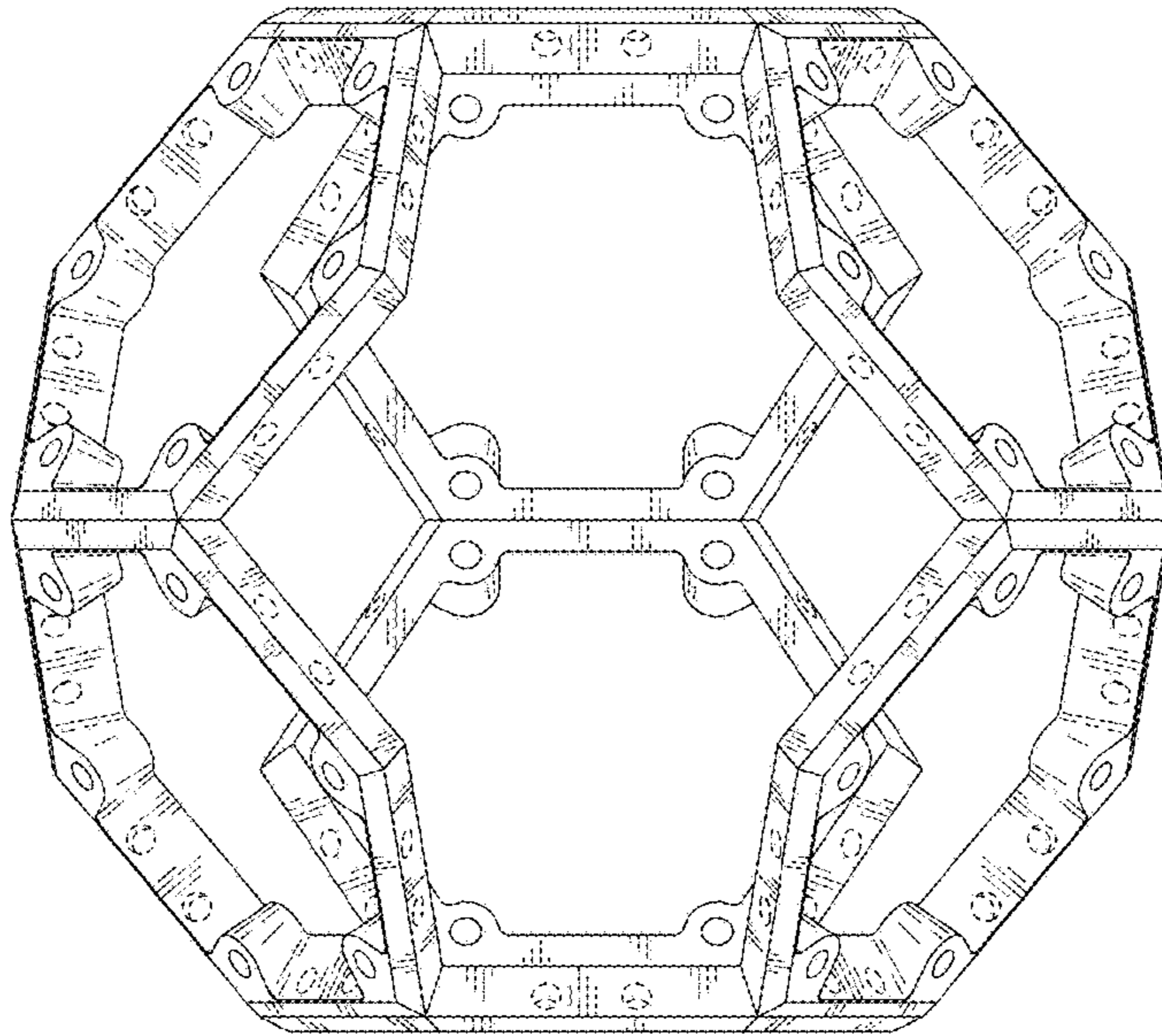


Fig. 17

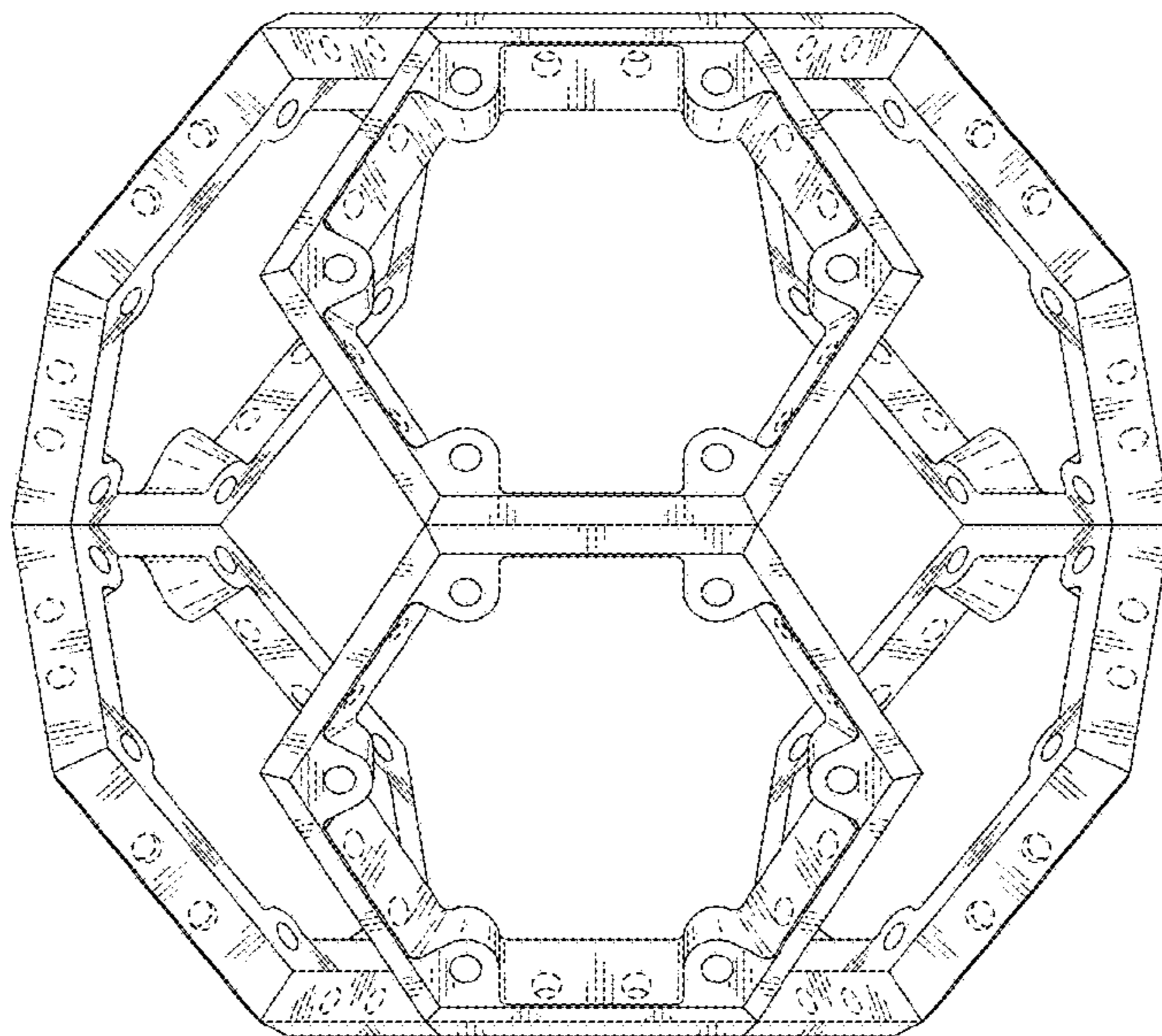


Fig. 19

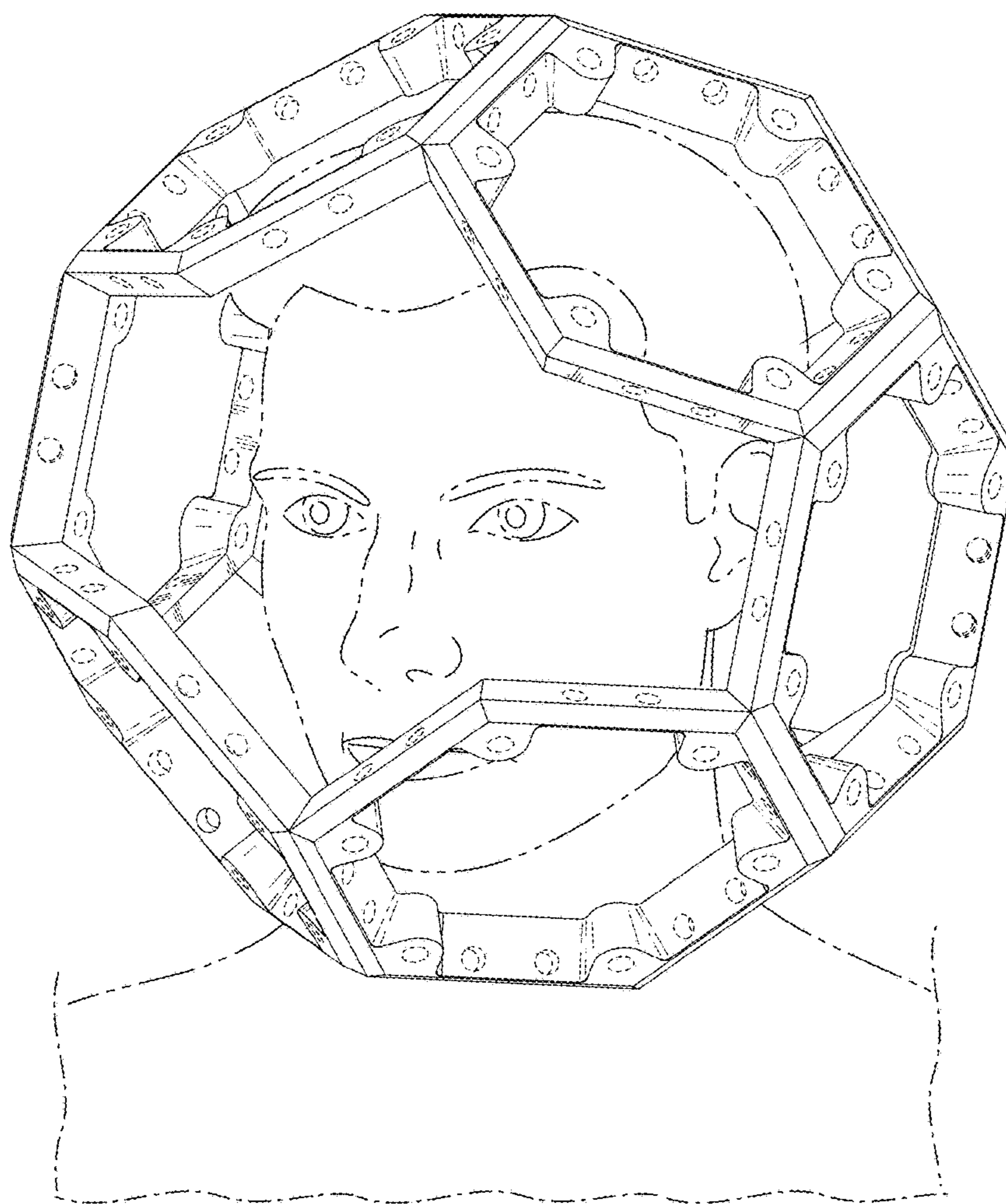


Fig. 20

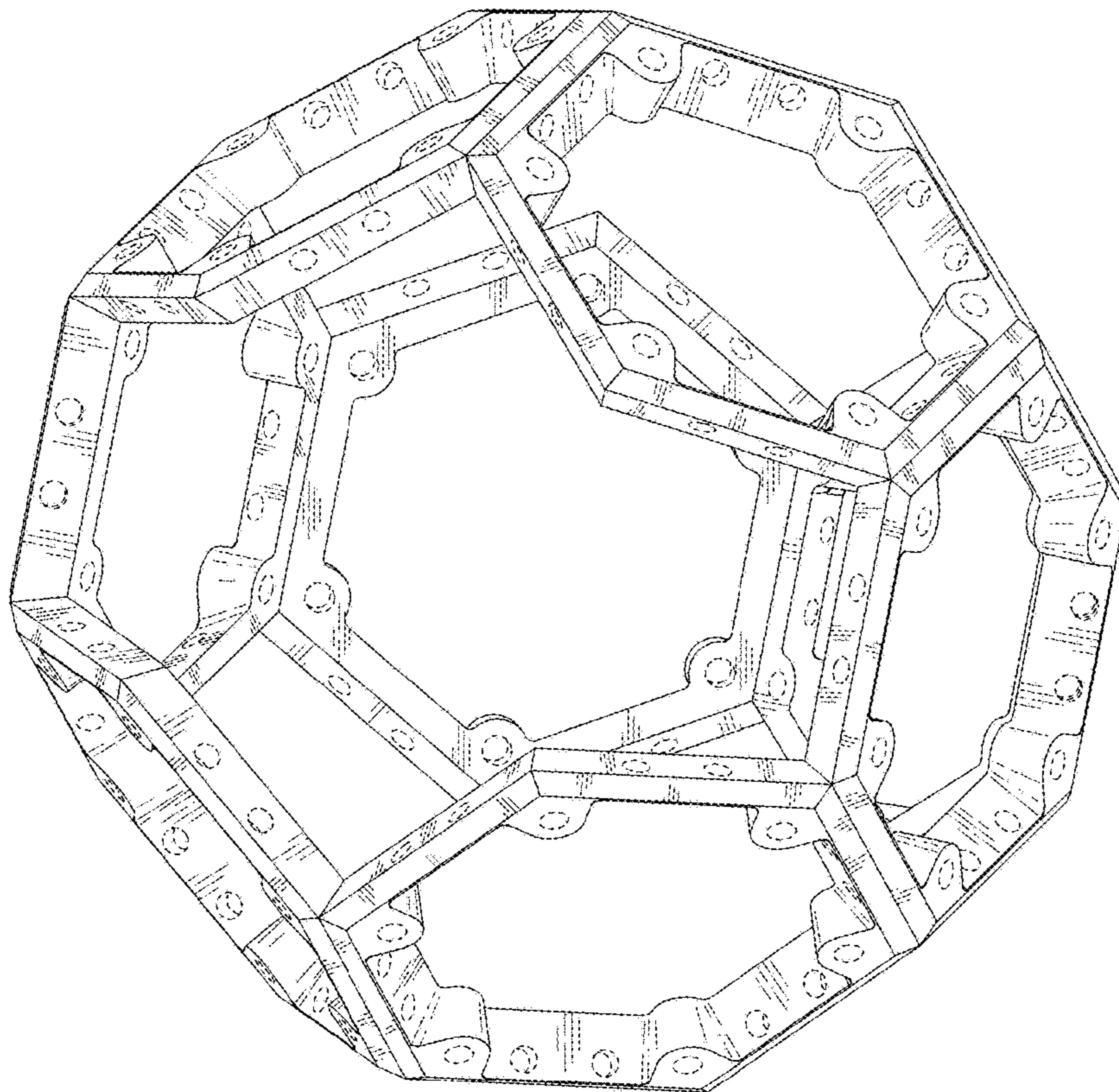


Fig. 22

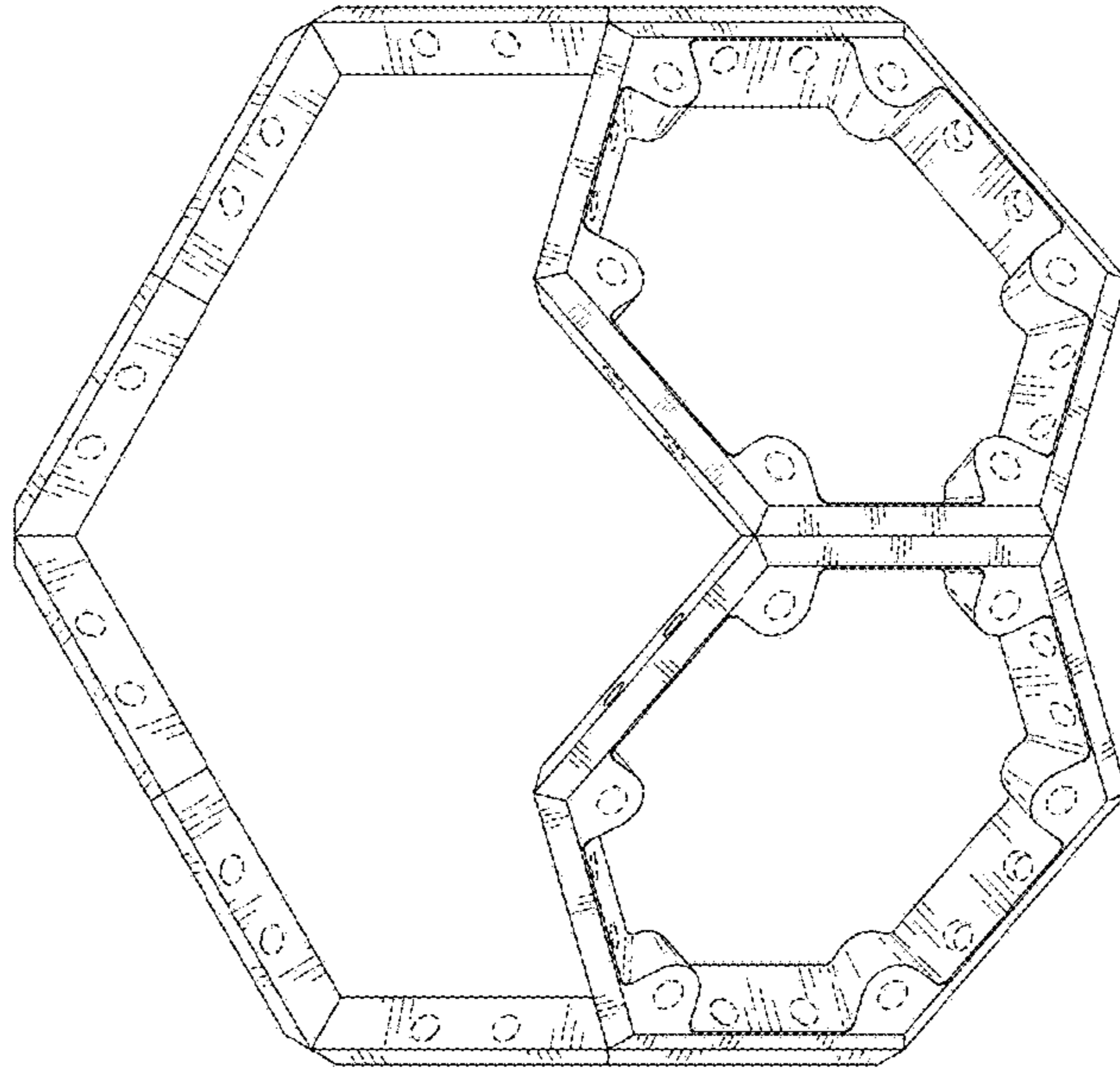


Fig. 21

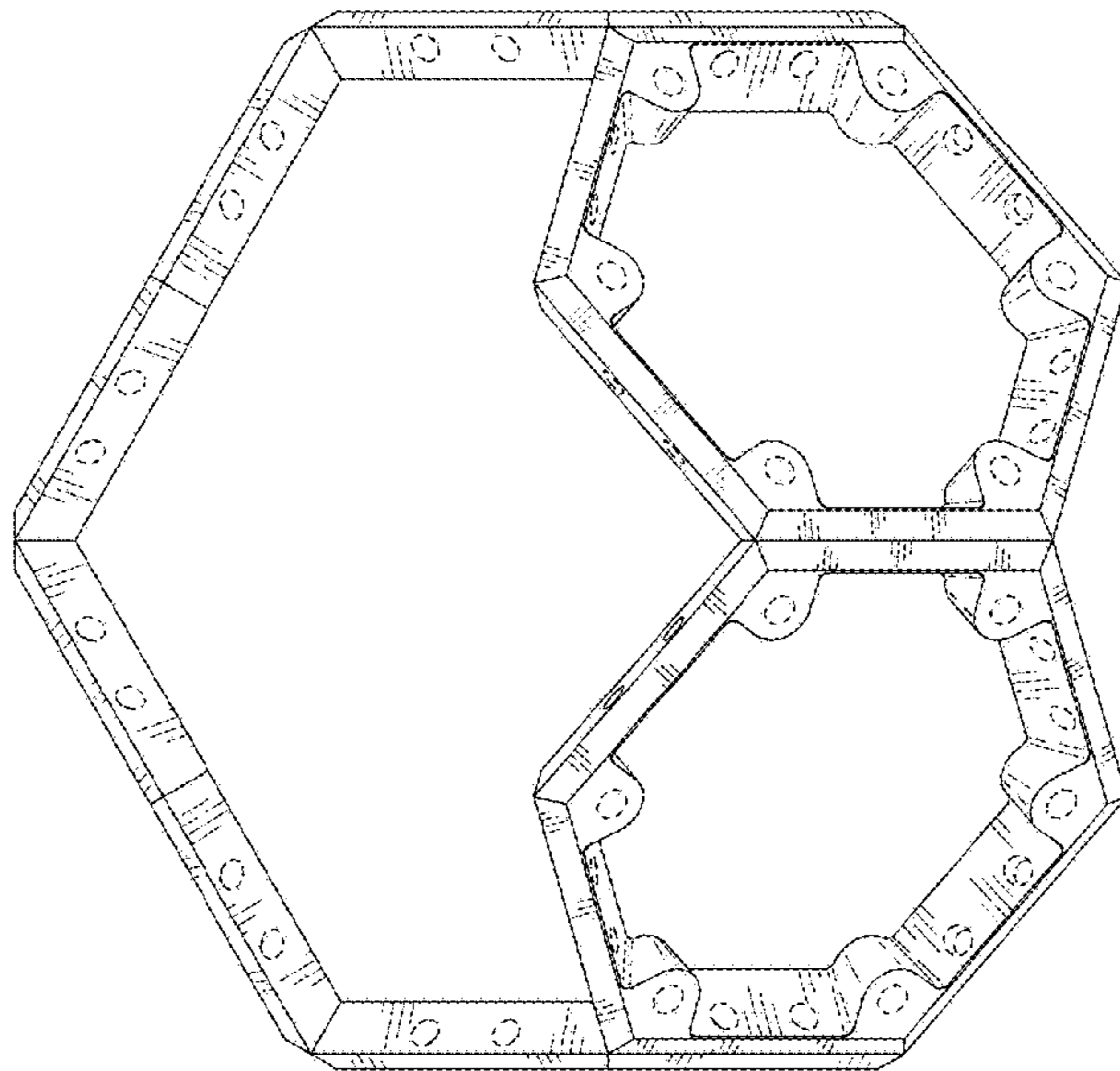


Fig. 24

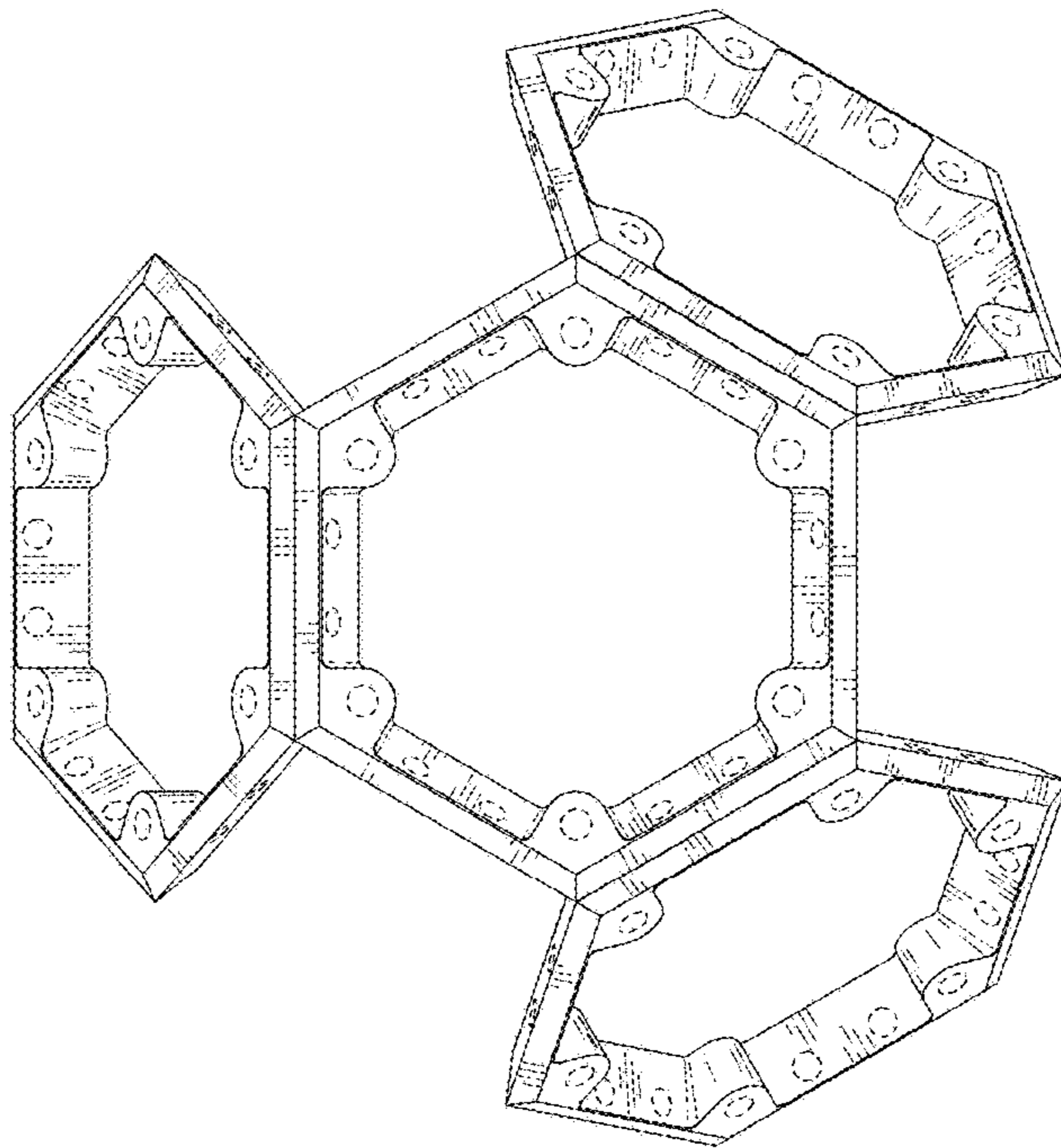


Fig. 23

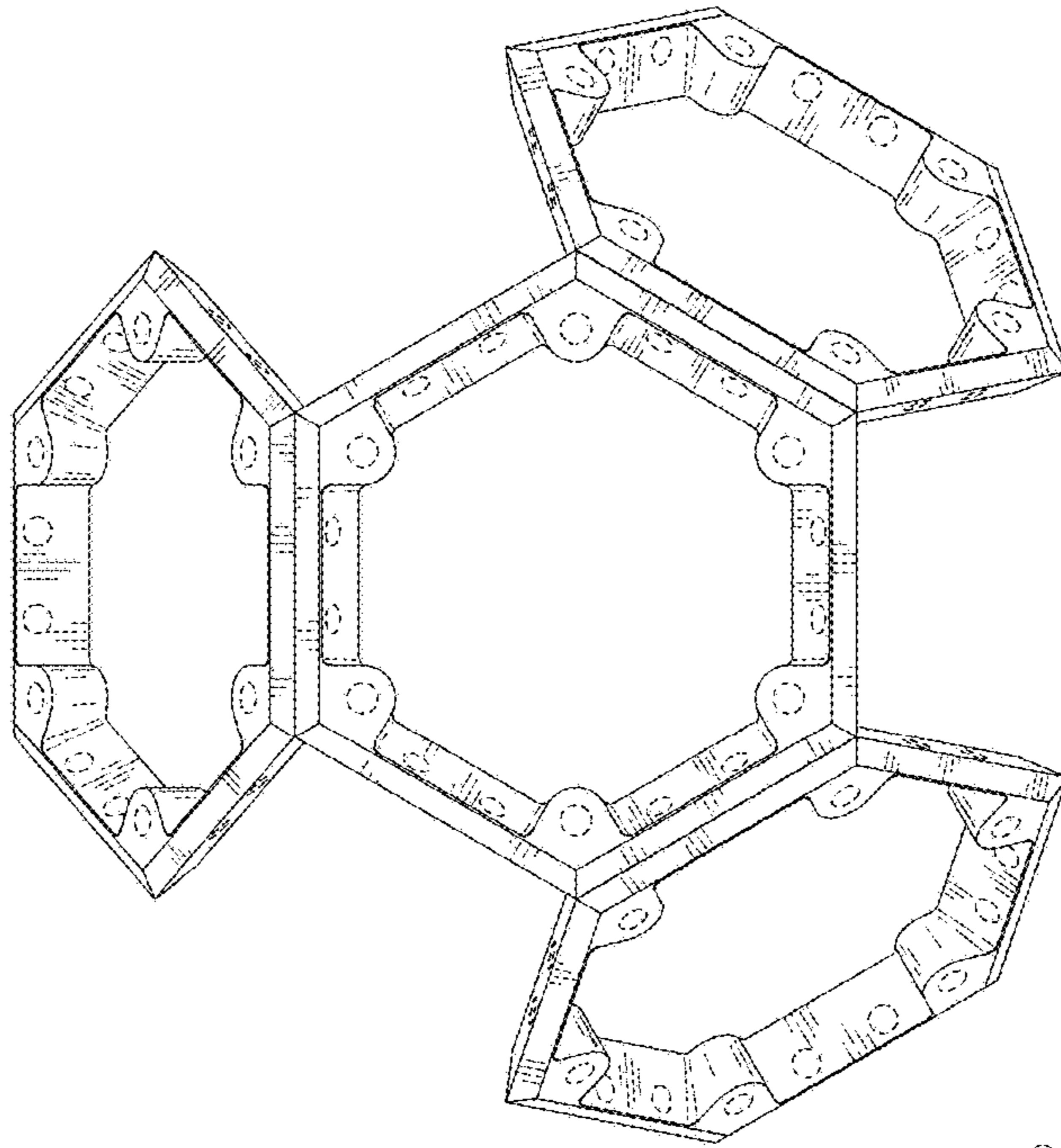


Fig. 26

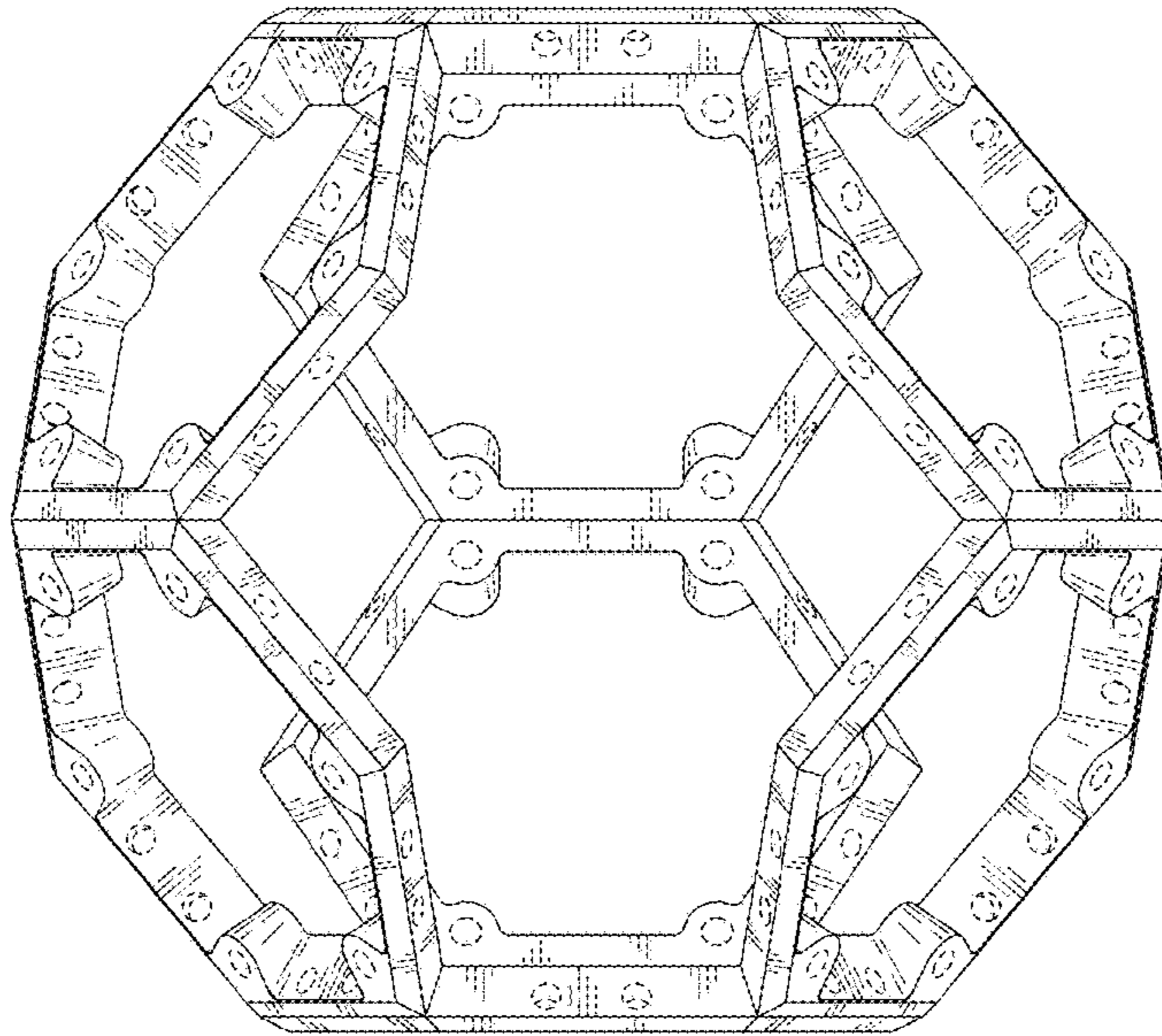


Fig. 25

