

US00D860295S

(12) **United States Design Patent**
Starling

(10) **Patent No.:** **US D860,295 S**

(45) **Date of Patent:** **** Sep. 17, 2019**

(54) **PROJECTOR CONSTRUCTION BLOCK**

(71) Applicant: **Laser Pegs IP Holdings Corp.**,
Sarasota, FL (US)

(72) Inventor: **Mark Andrew Starling**, Sarasota, FL
(US)

(73) Assignee: **LASER PEGS IP HOLDING CORP.**,
Sarasota, FL (US)

(**) Term: **15 Years**

(21) Appl. No.: **29/626,858**

(22) Filed: **Nov. 21, 2017**

(51) **LOC (12) Cl.** **16-02**

(52) **U.S. Cl.**
USPC **D16/225**

(58) **Field of Classification Search**

USPC D16/221, 225, 230-231, 234; D21/514;
353/119

CPC G03B 21/00; G03B 21/001; G03B 21/003;
G03B 21/12; G03B 21/14; G03B 21/142;
G03B 21/145

See application file for complete search history.

(56) **References Cited**

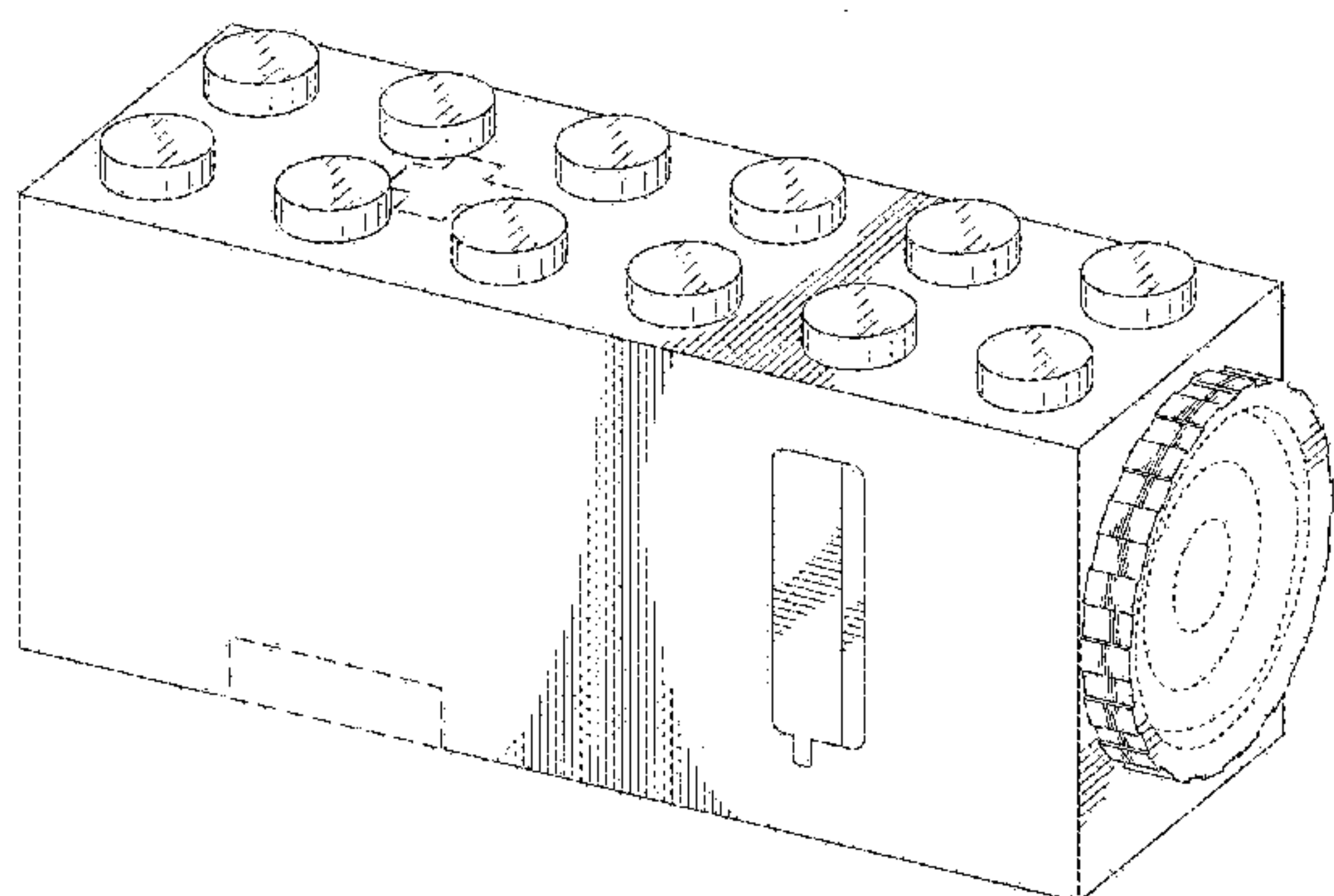
U.S. PATENT DOCUMENTS

D500,070 S * 12/2004 Yamaguchi D16/225
D522,037 S * 5/2006 Inoue D16/225
D554,685 S * 11/2007 Ishikawa D16/221

(Continued)

Primary Examiner — Wan Laymon

(74) *Attorney, Agent, or Firm* — Allen Dyer Doppelt &
Gilchrist



(57) **CLAIM**

The ornamental design for a projector construction block, as shown and described.

DESCRIPTION

FIG. 1 is a front, right, top perspective view of a projector construction block, according to a first embodiment thereof; FIG. 2 is a rear, left, bottom perspective view of the design of FIG. 1;

FIG. 3 is a front view of the design of FIG. 1;

FIG. 4 is a rear view of the design of FIG. 1;

FIG. 5 is a top view of the design of FIG. 1;

FIG. 6 is a bottom view of the design of FIG. 1;

FIG. 7 is a right side view of the design of FIG. 1, the left side view being a mirror image thereof;

FIG. 8 is a front, right, top perspective view of a projector construction block, according to a second embodiment thereof;

FIG. 9 is a rear, left, bottom perspective view of the design of FIG. 8;

FIG. 10 is a front view of the design of FIG. 8;

FIG. 11 is a rear view of the design of FIG. 8;

FIG. 12 is a top view of the design of FIG. 8;

FIG. 13 is a bottom view of the design of FIG. 8;

FIG. 14 is a right side view of the design FIG. 8, the left side view being a mirror image thereof;

FIG. 15 is a front, right, top perspective view of the design of FIG. 8, with a film cartridge removed;

FIG. 16 is a rear, left, bottom perspective view of the design of FIG. 8, with the film cartridge removed;

FIG. 17 is a front view of the design of FIG. 8, with the film cartridge removed;

FIG. 18 is a rear view of the design of FIG. 8, with the film cartridge removed;

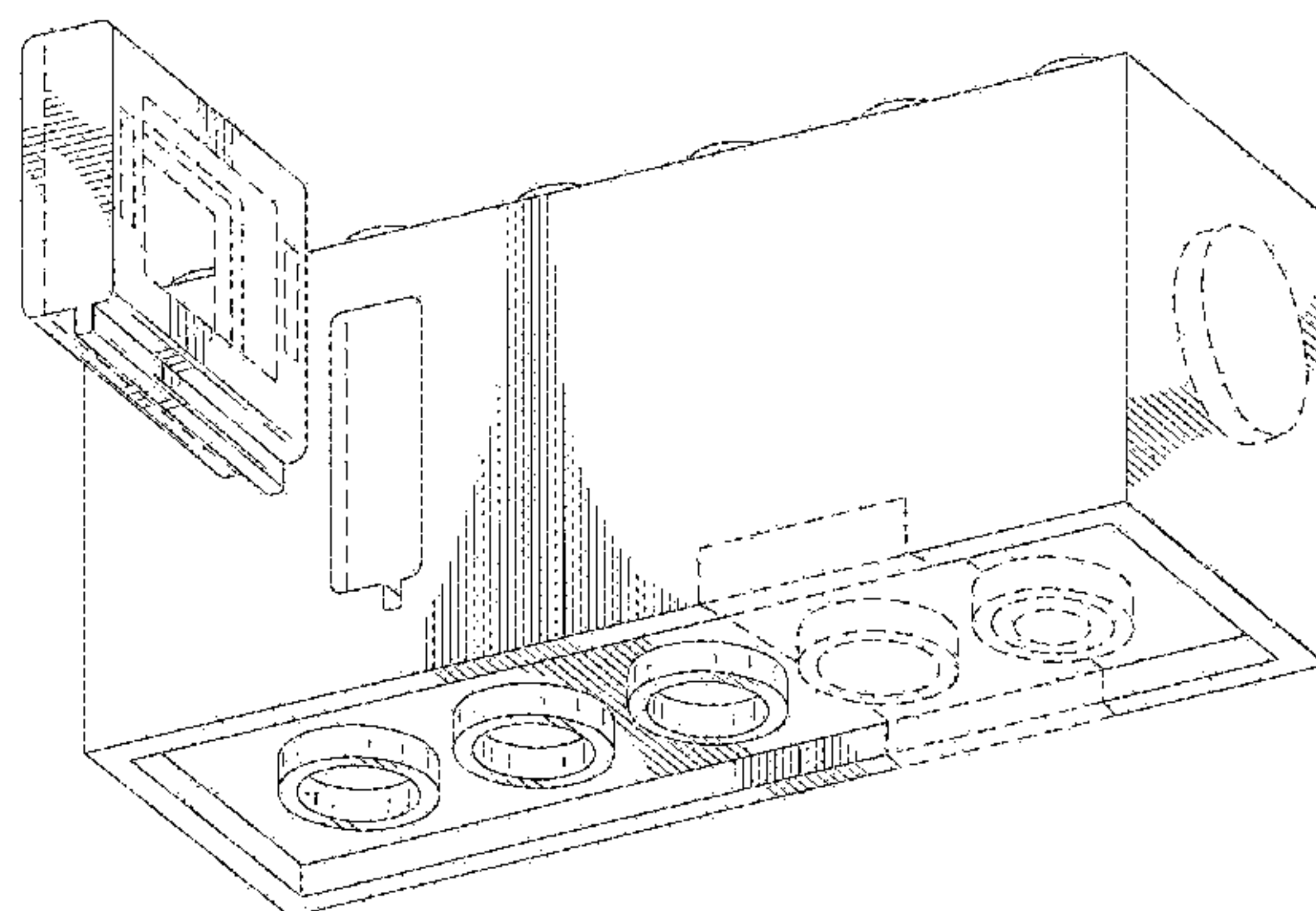
FIG. 19 is a top view of the design of FIG. 8, with the film cartridge removed;

FIG. 20 is a bottom view of the design of FIG. 8, with the film cartridge removed; and,

FIG. 21 is a right side view of the design of FIG. 8, with the film cartridge removed, the left side view being a mirror image thereof.

The broken lines illustrate subject matter outside the scope of the claimed invention, and form no part thereof.

1 Claim, 18 Drawing Sheets



(56)

References Cited

U.S. PATENT DOCUMENTS

D599,393 S * 9/2009 Takeda D16/225
8,714,756 B2 * 5/2014 Yang G03B 21/145
248/309.4
8,985,783 B2 * 3/2015 Kurosaki G03B 21/14
353/84
D762,256 S * 7/2016 Han D16/230
2016/0330417 A1 * 11/2016 Lin G02B 26/105

* cited by examiner

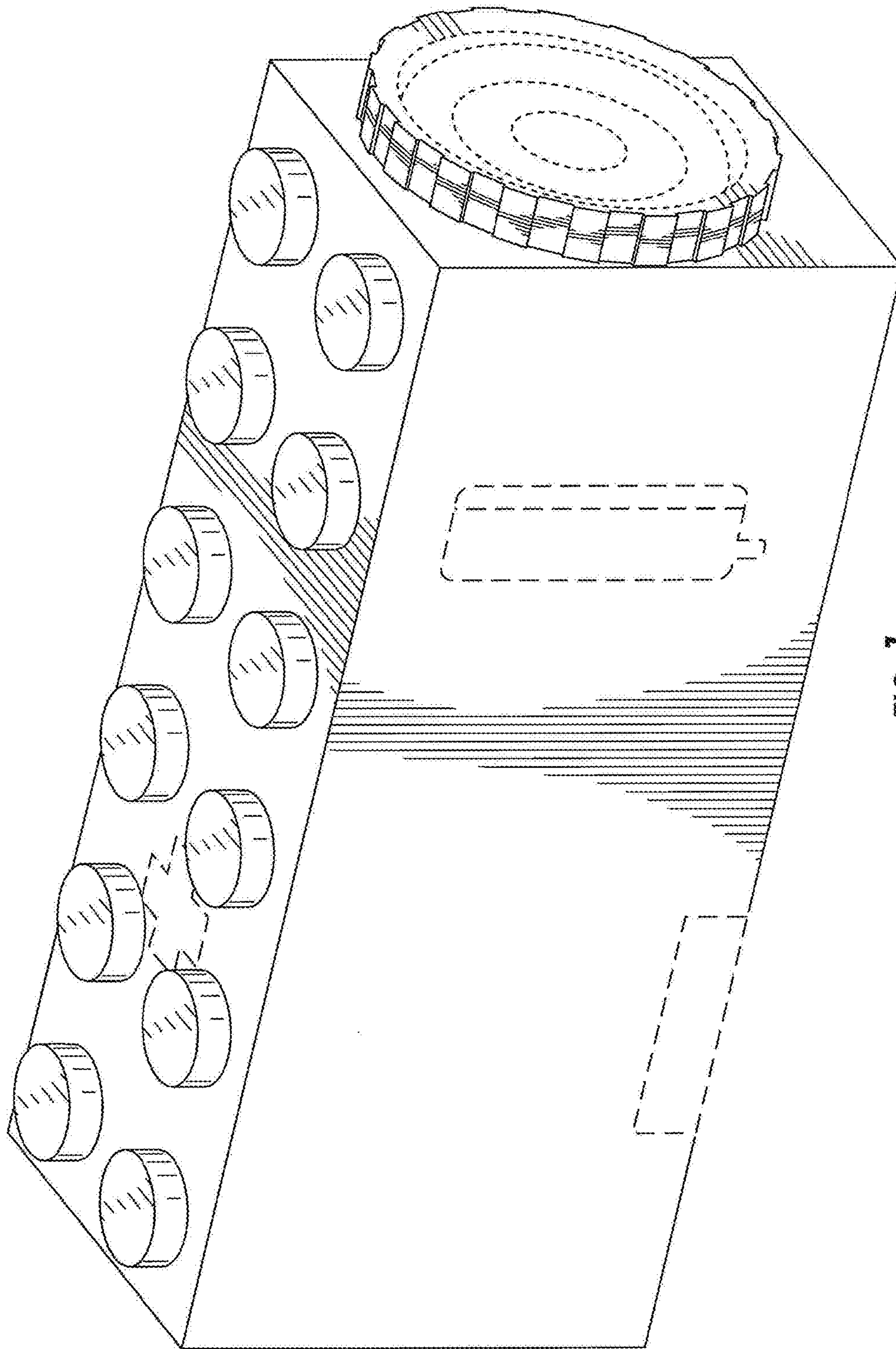


FIG. 1

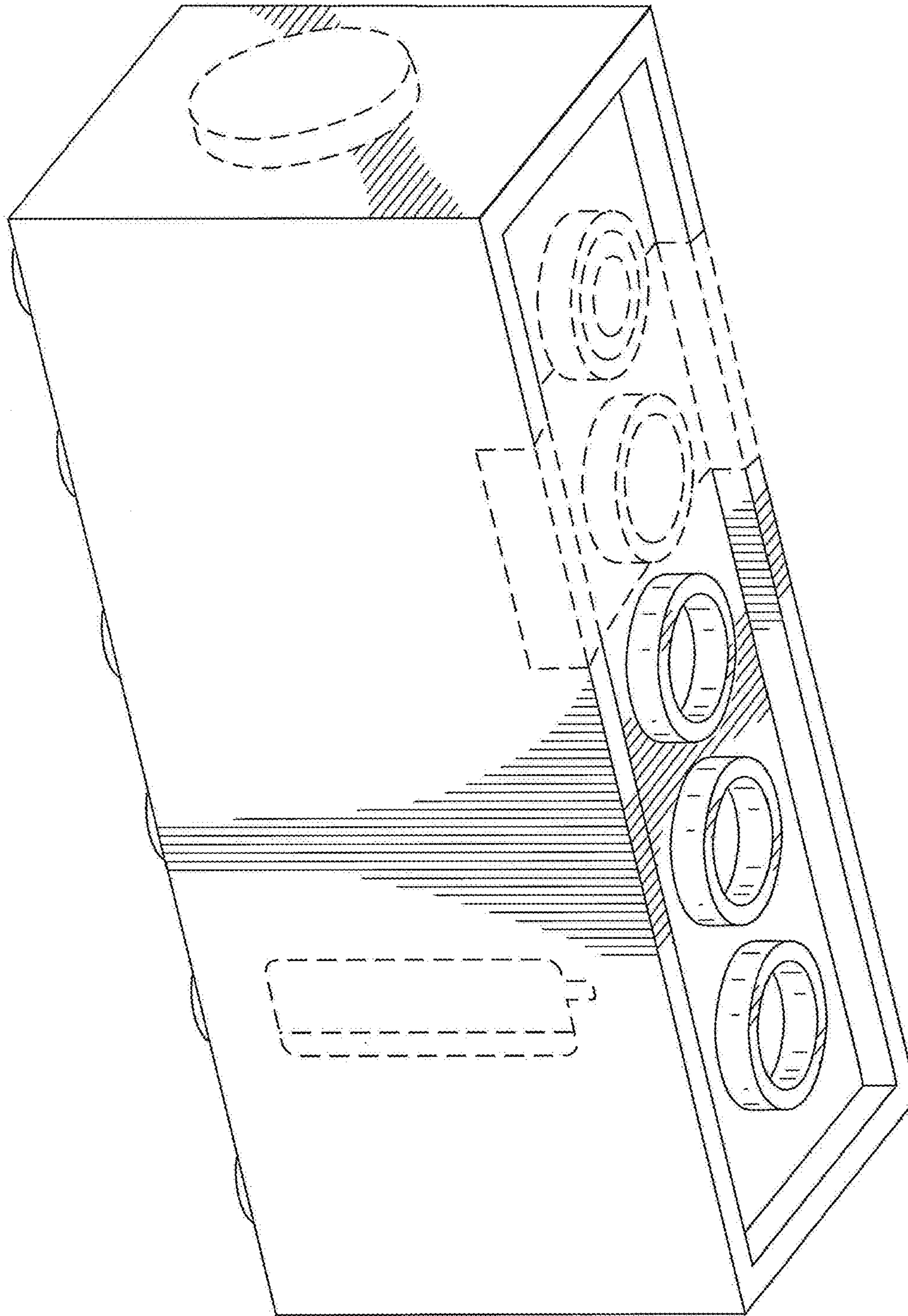


FIG. 2

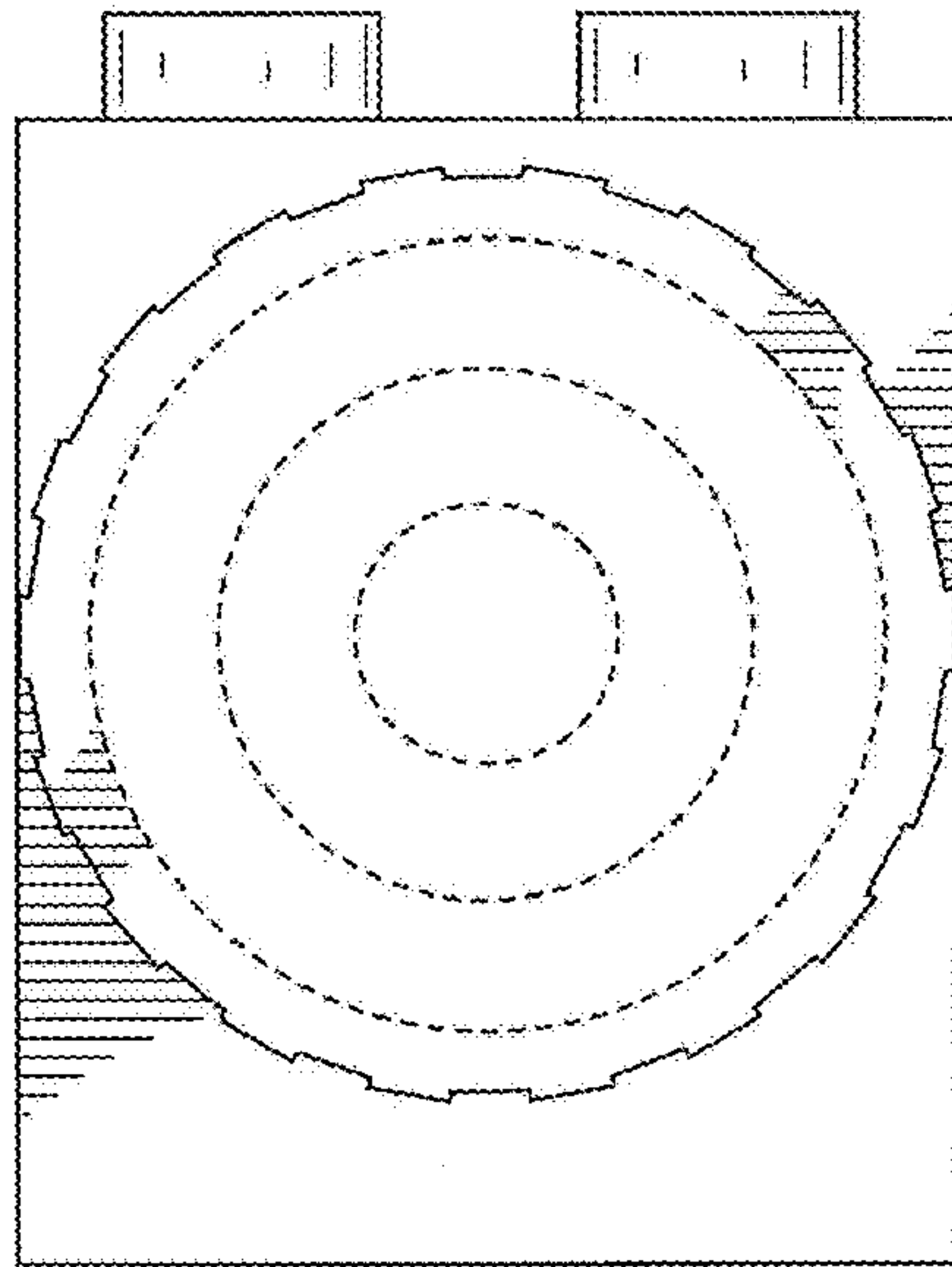


FIG. 3

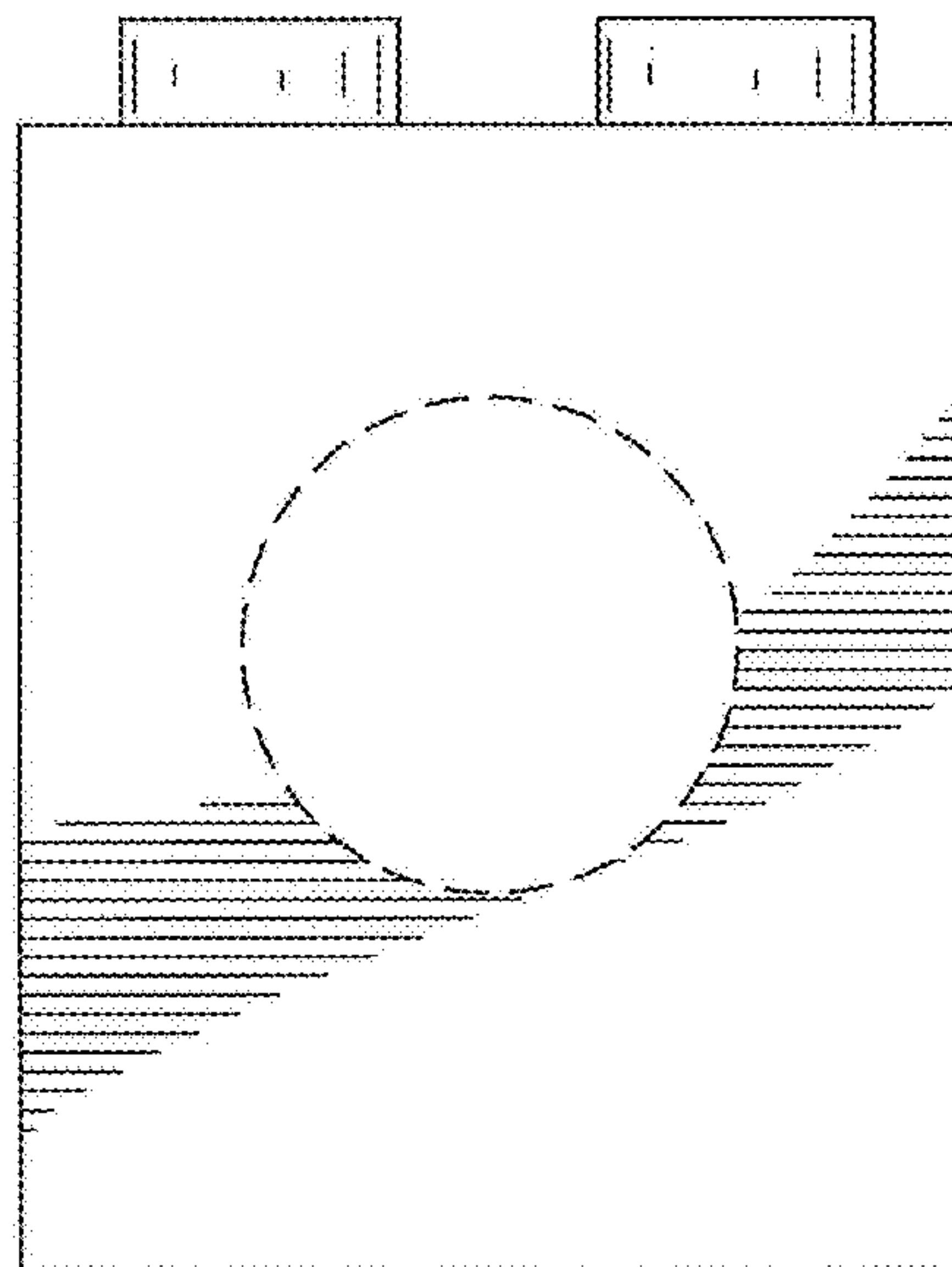


FIG. 4

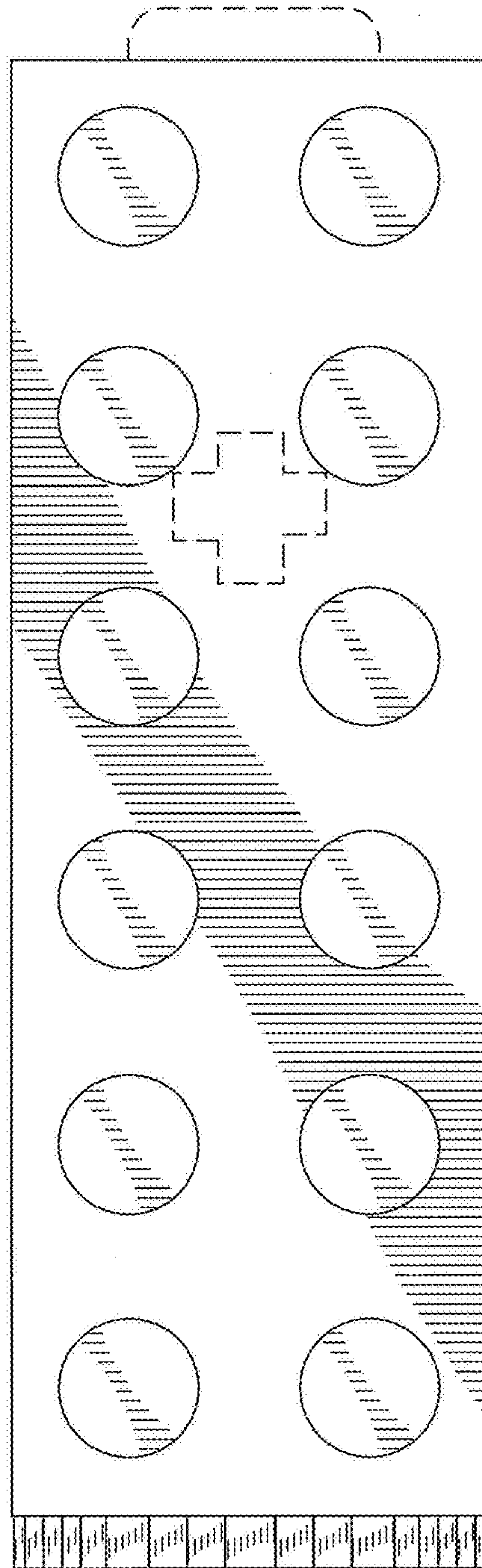


FIG. 5

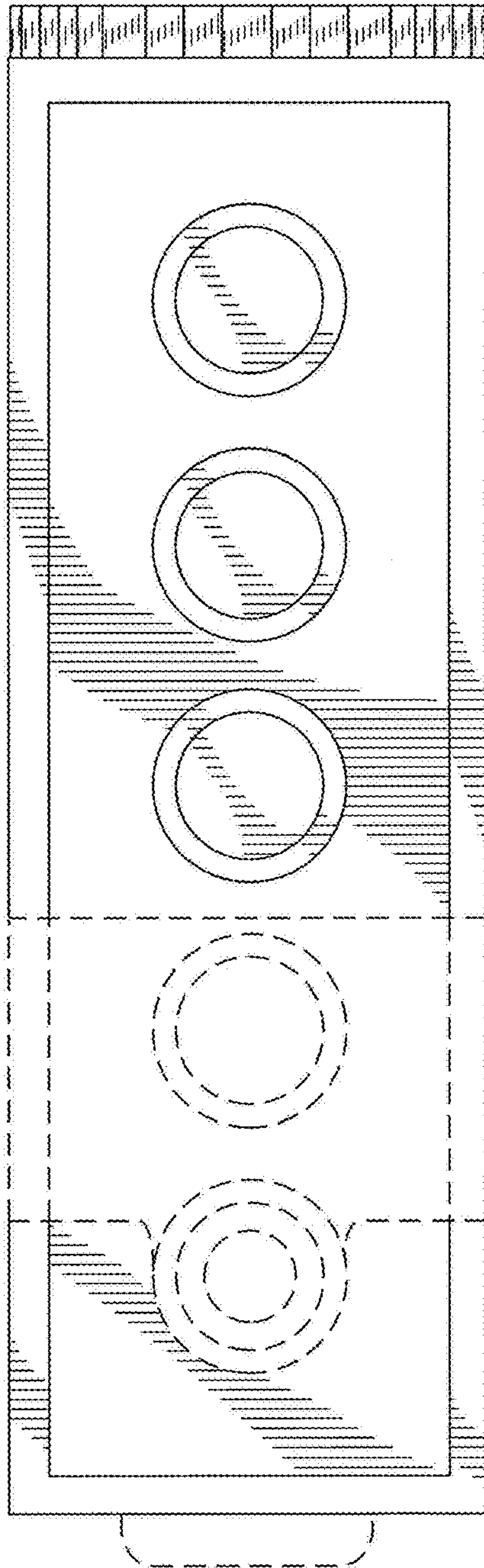


FIG. 6

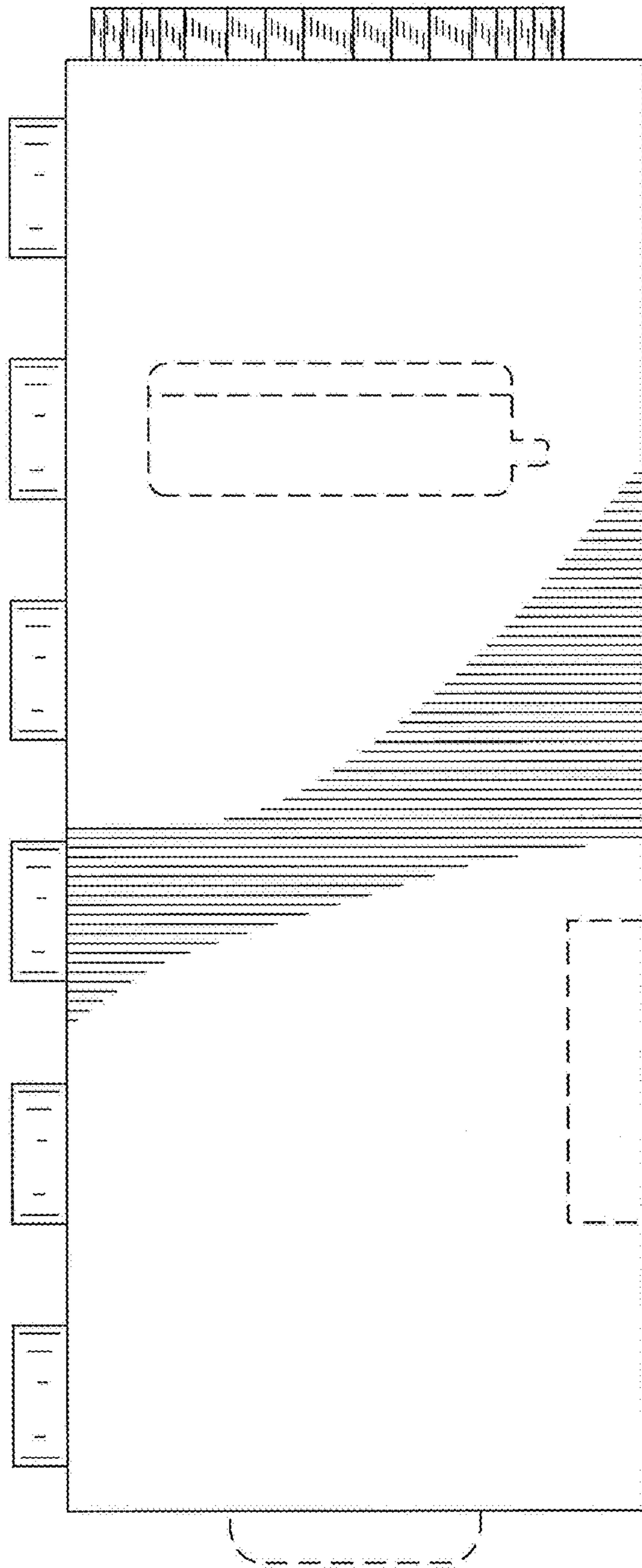


FIG. 7

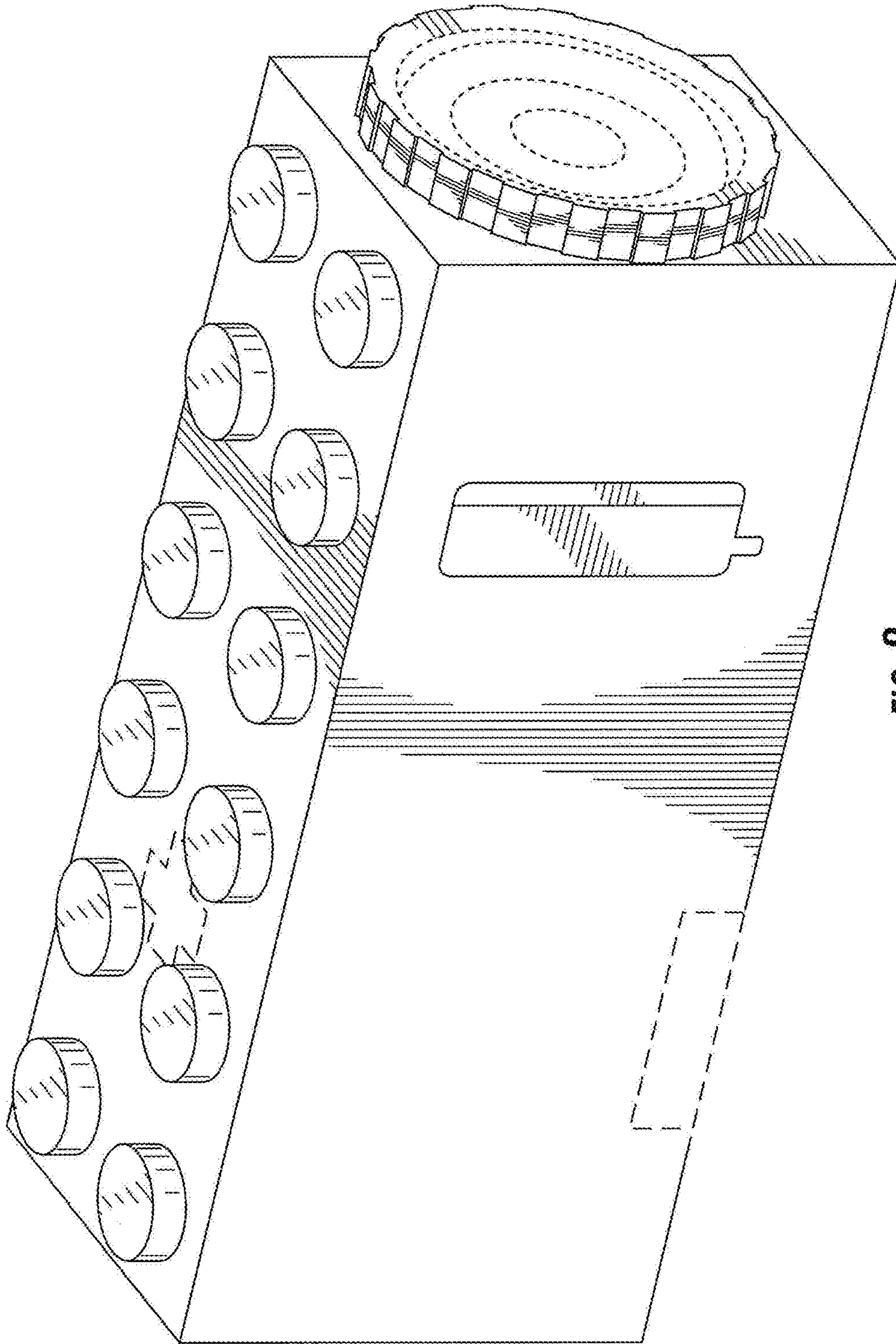


FIG. 8

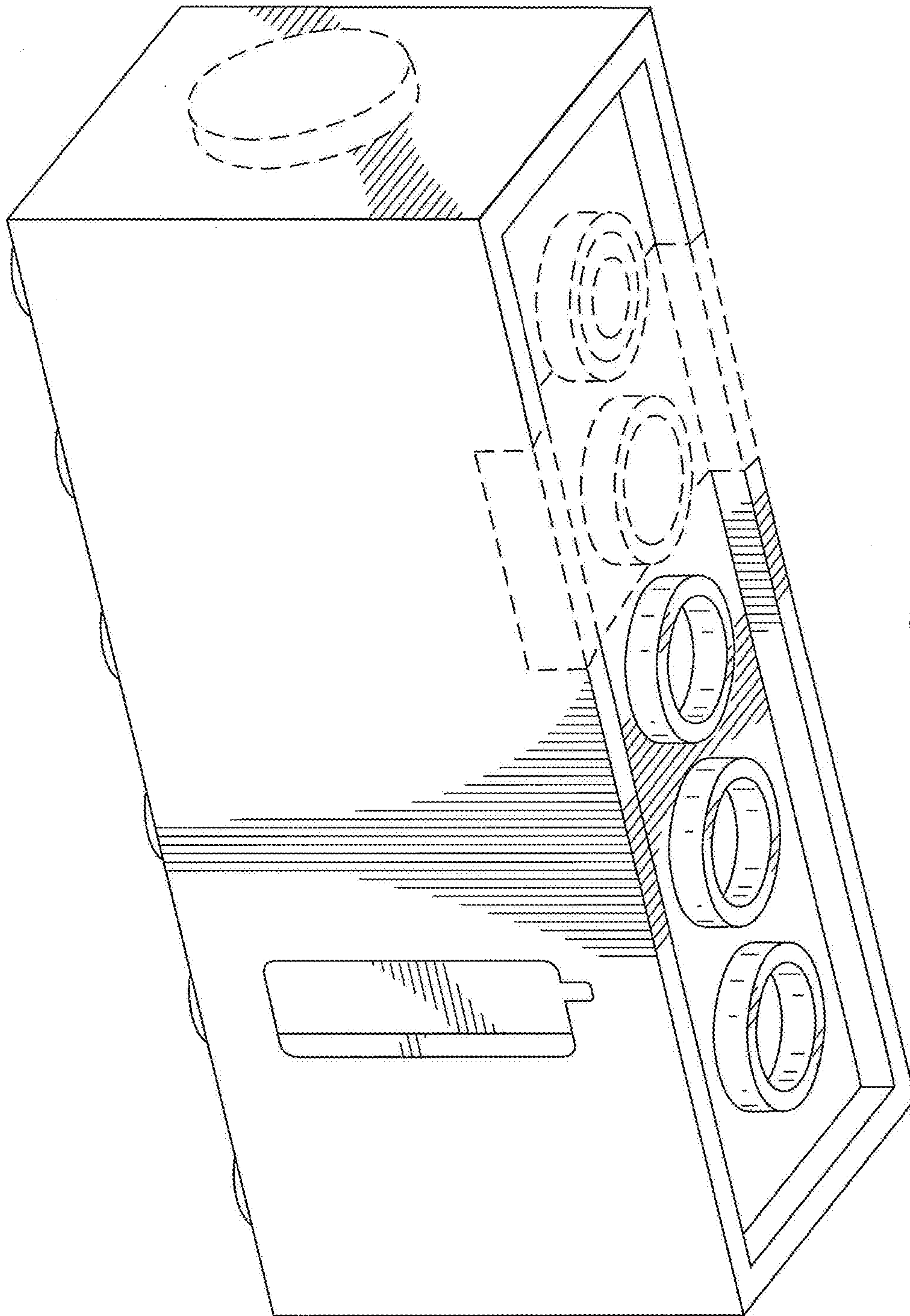


FIG. 9

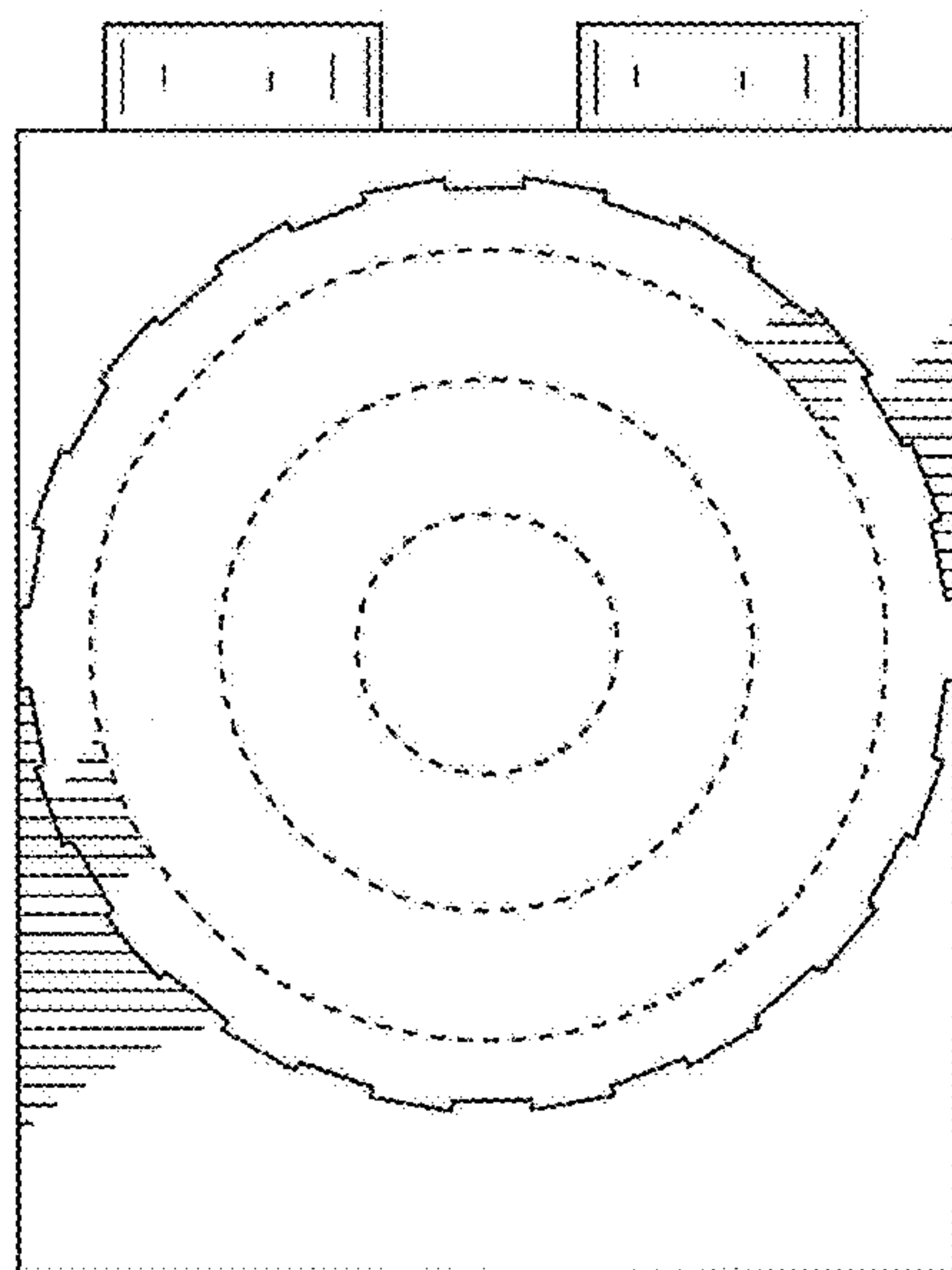


FIG. 10

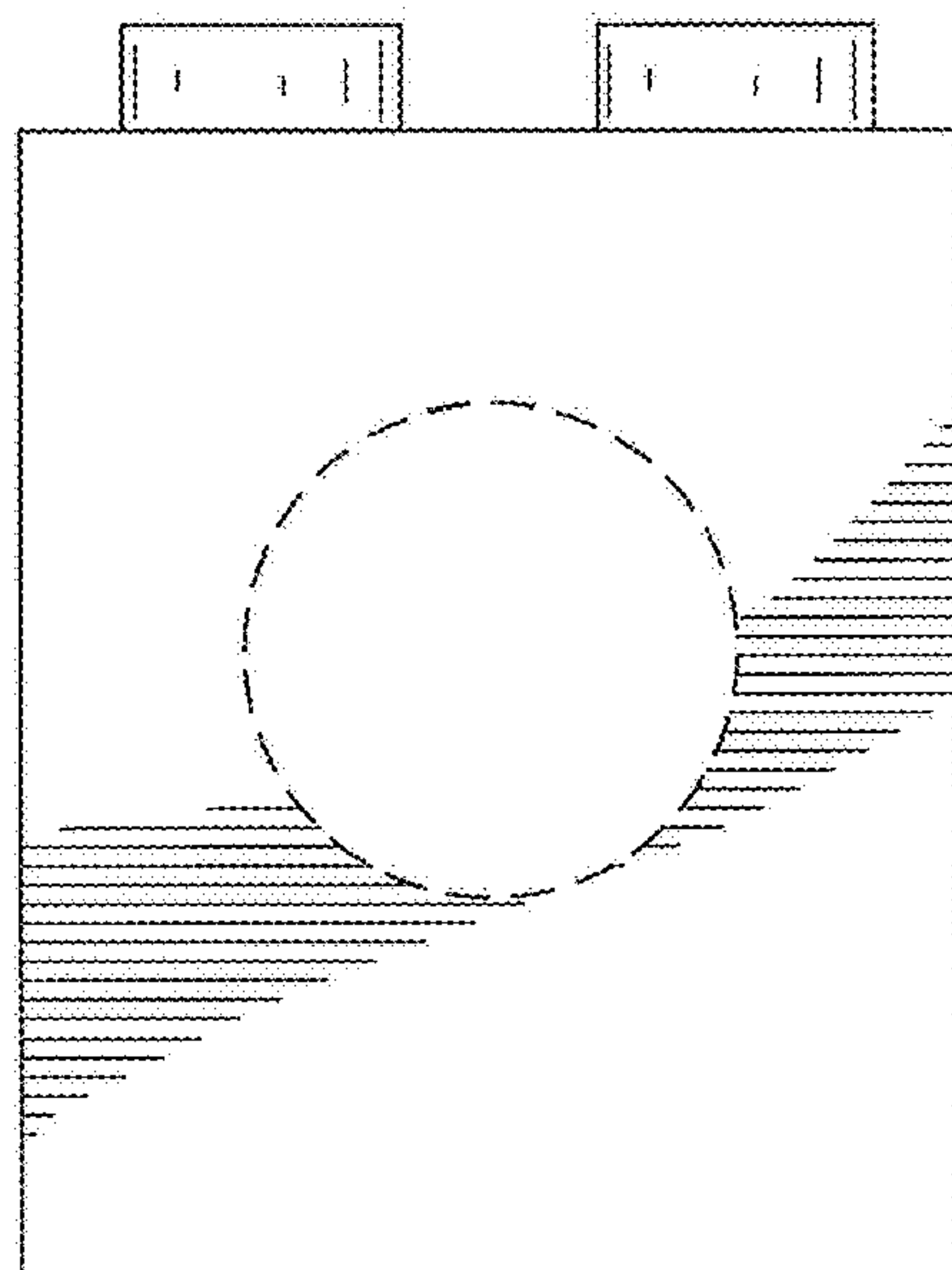


FIG. 11

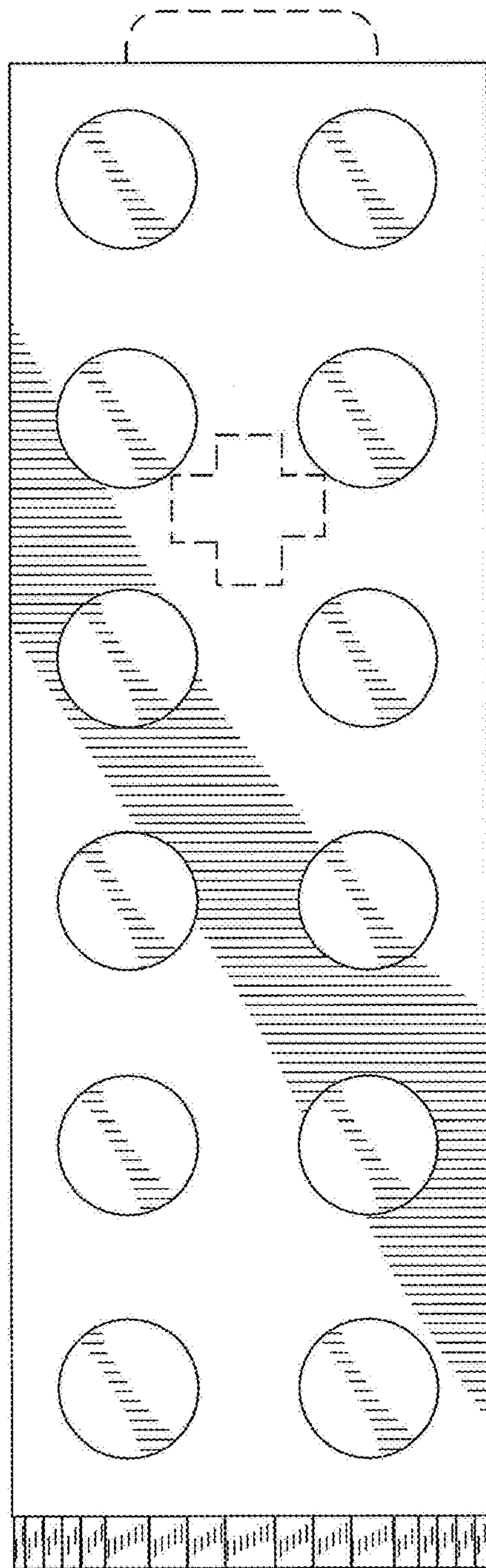


FIG. 12

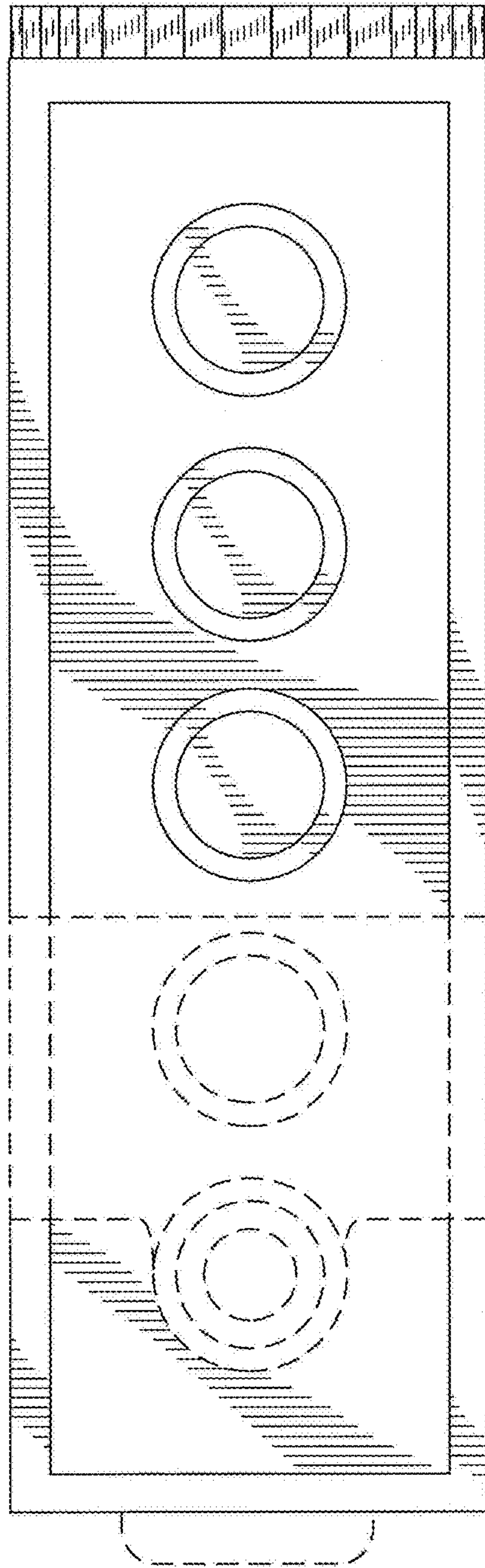


FIG. 13

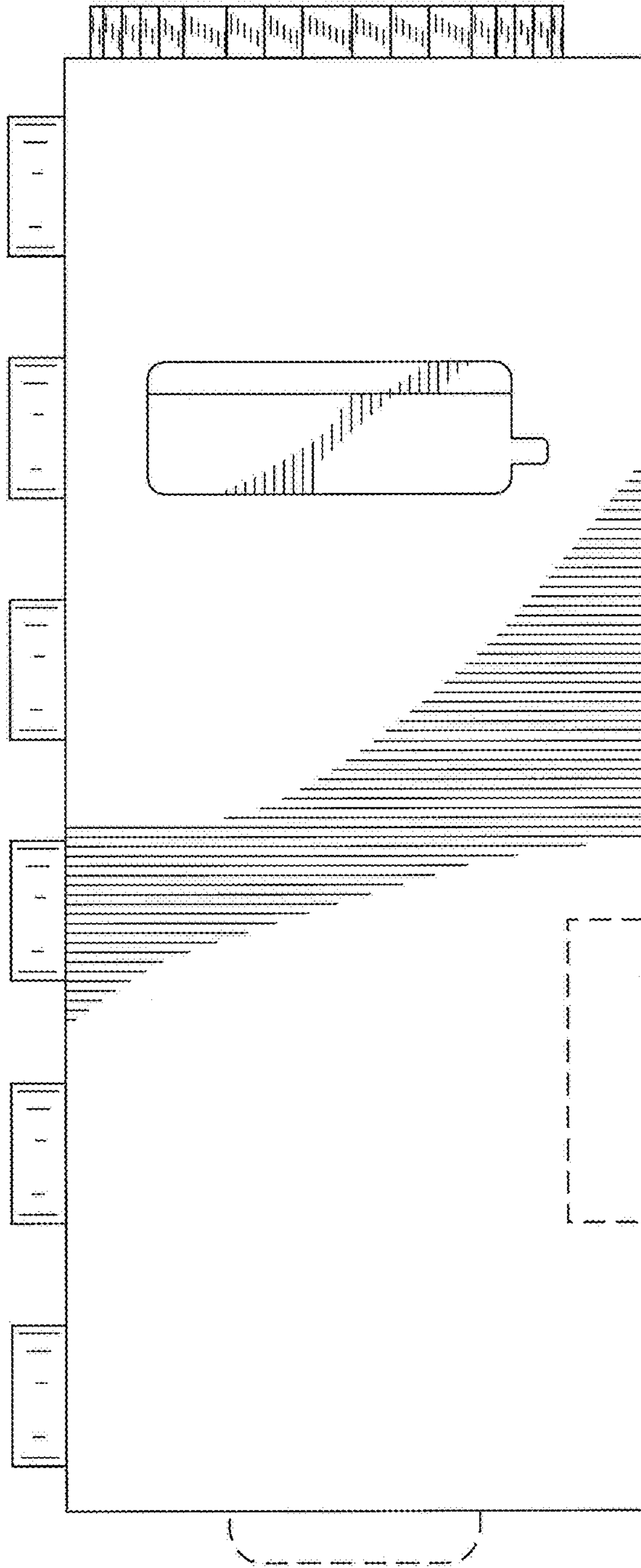
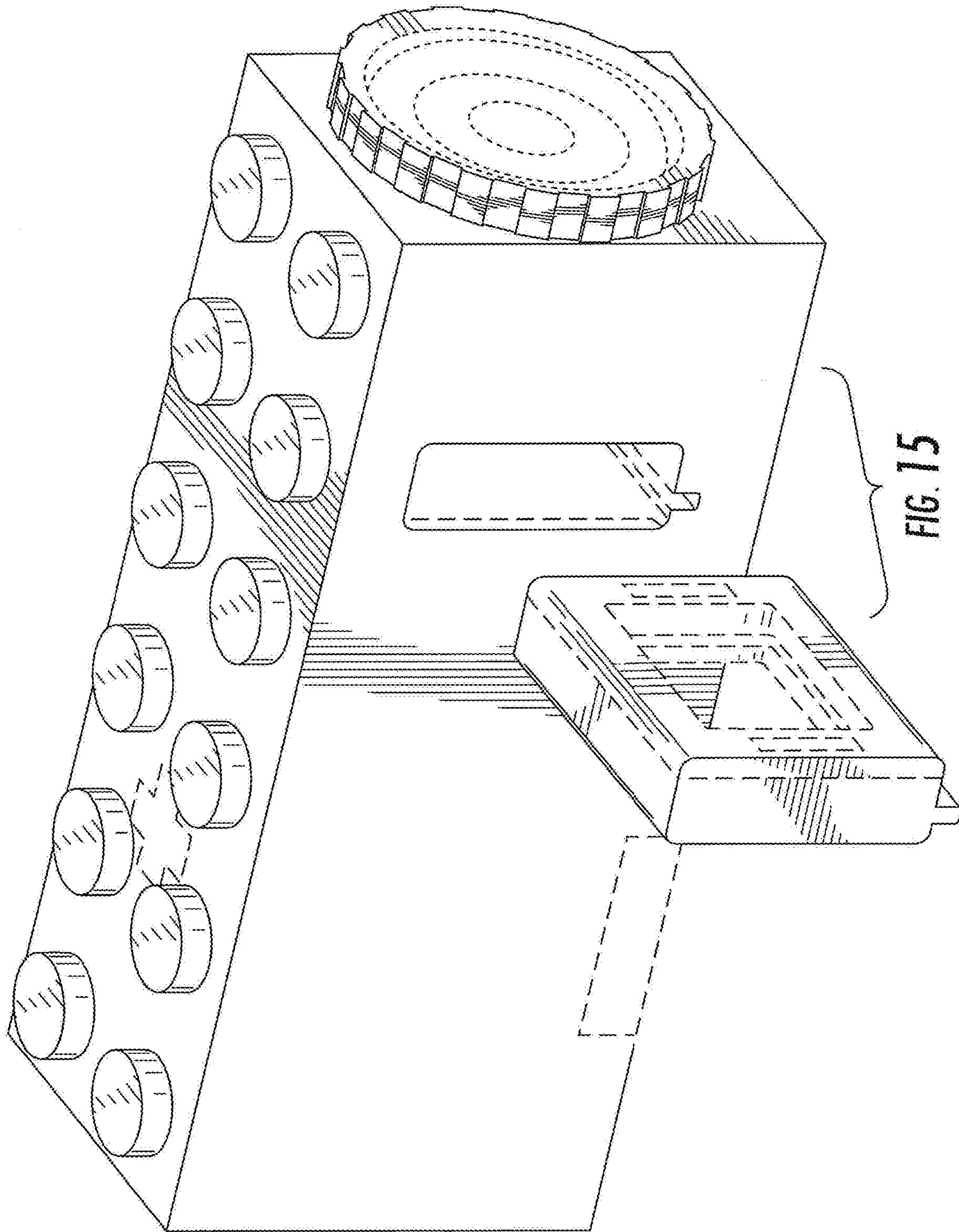
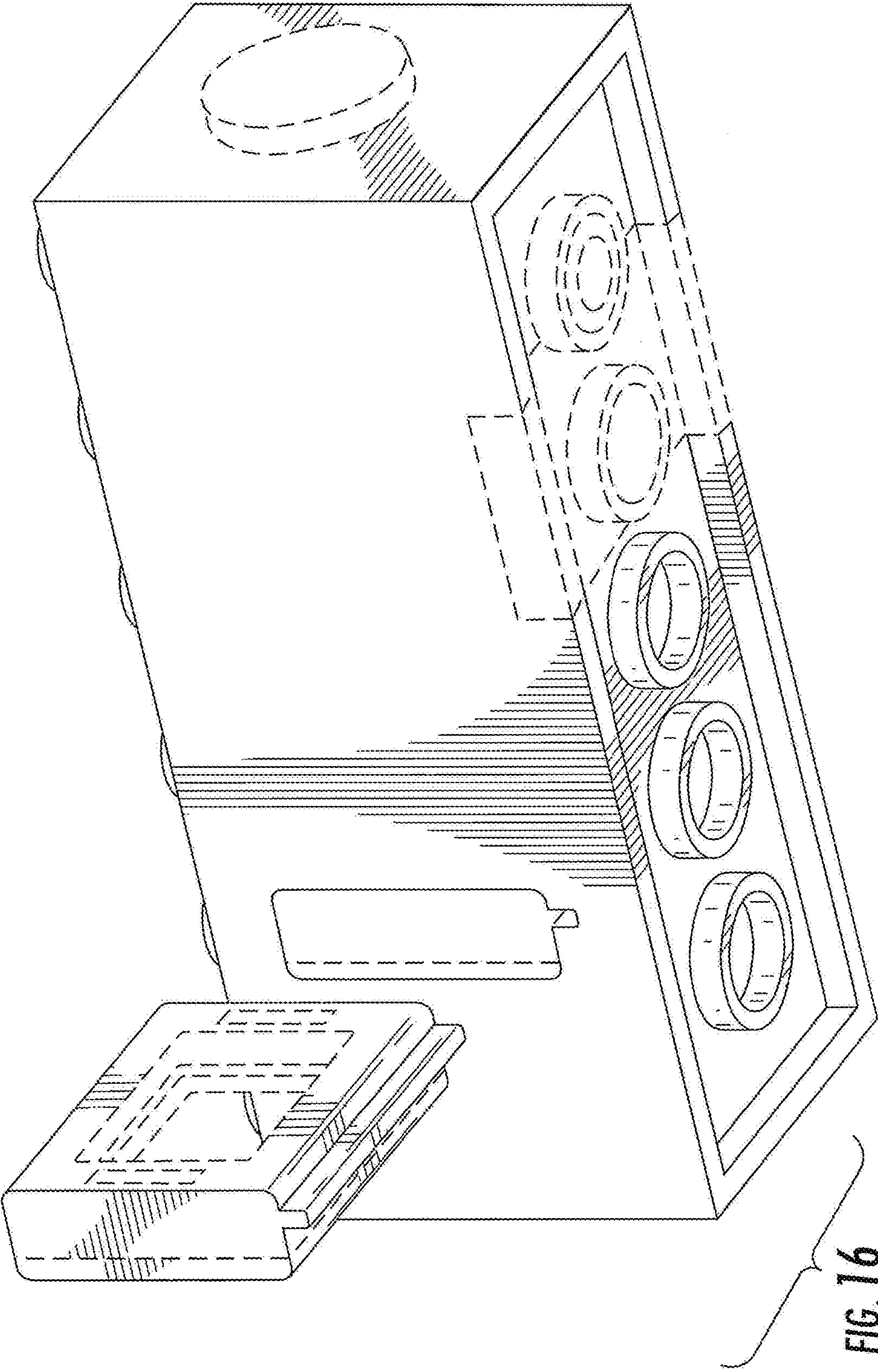


FIG. 14





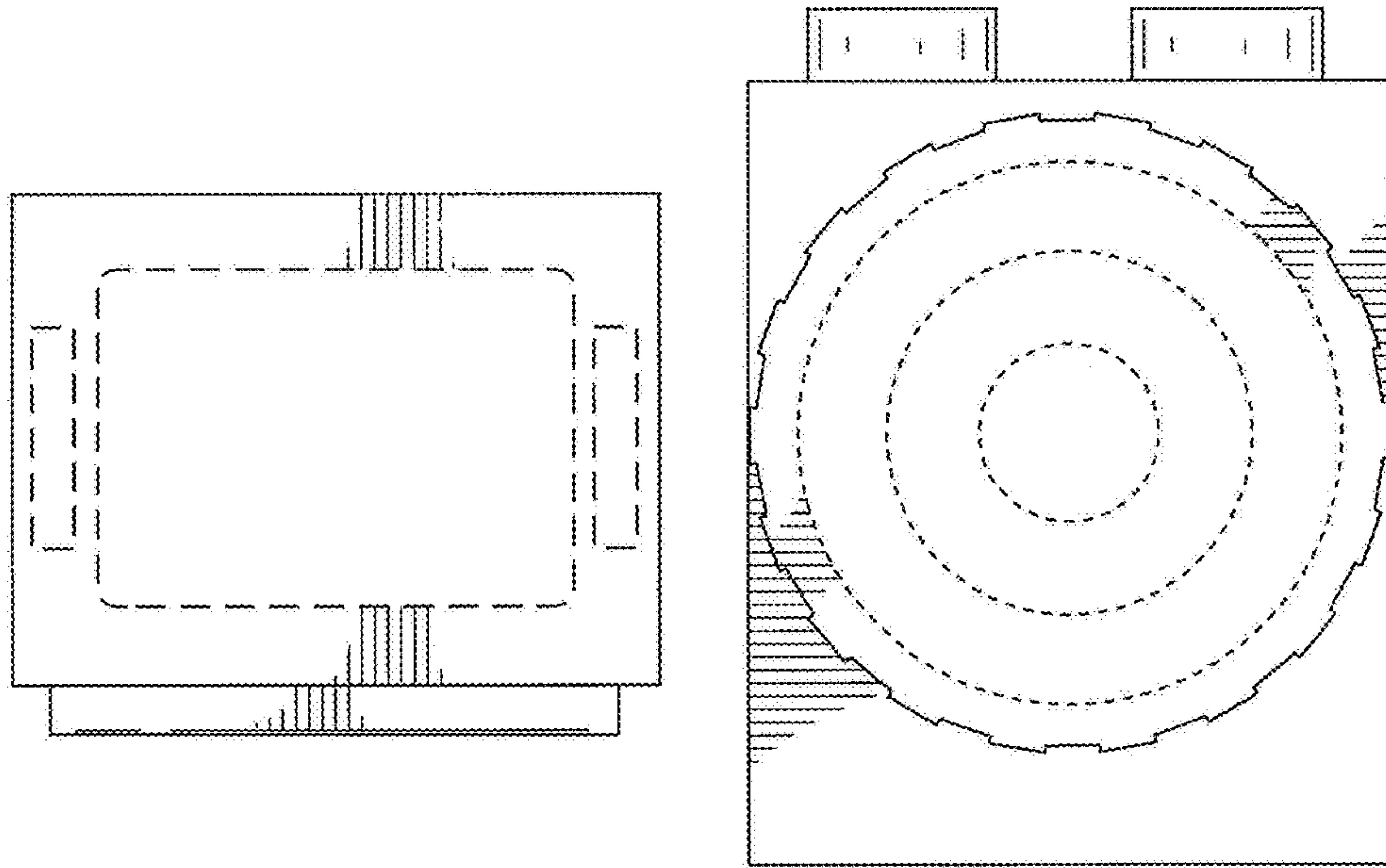


FIG. 17

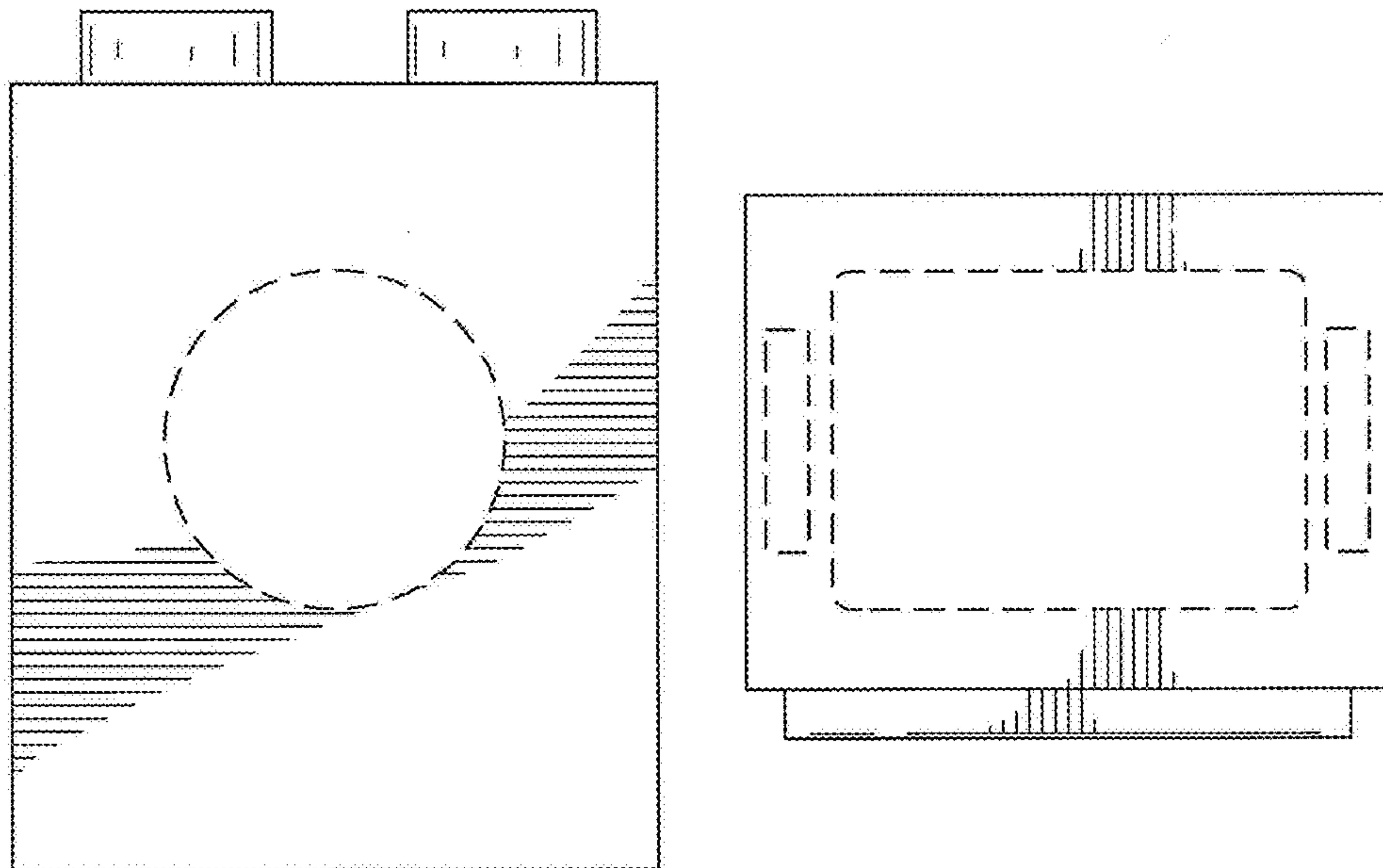


FIG. 18

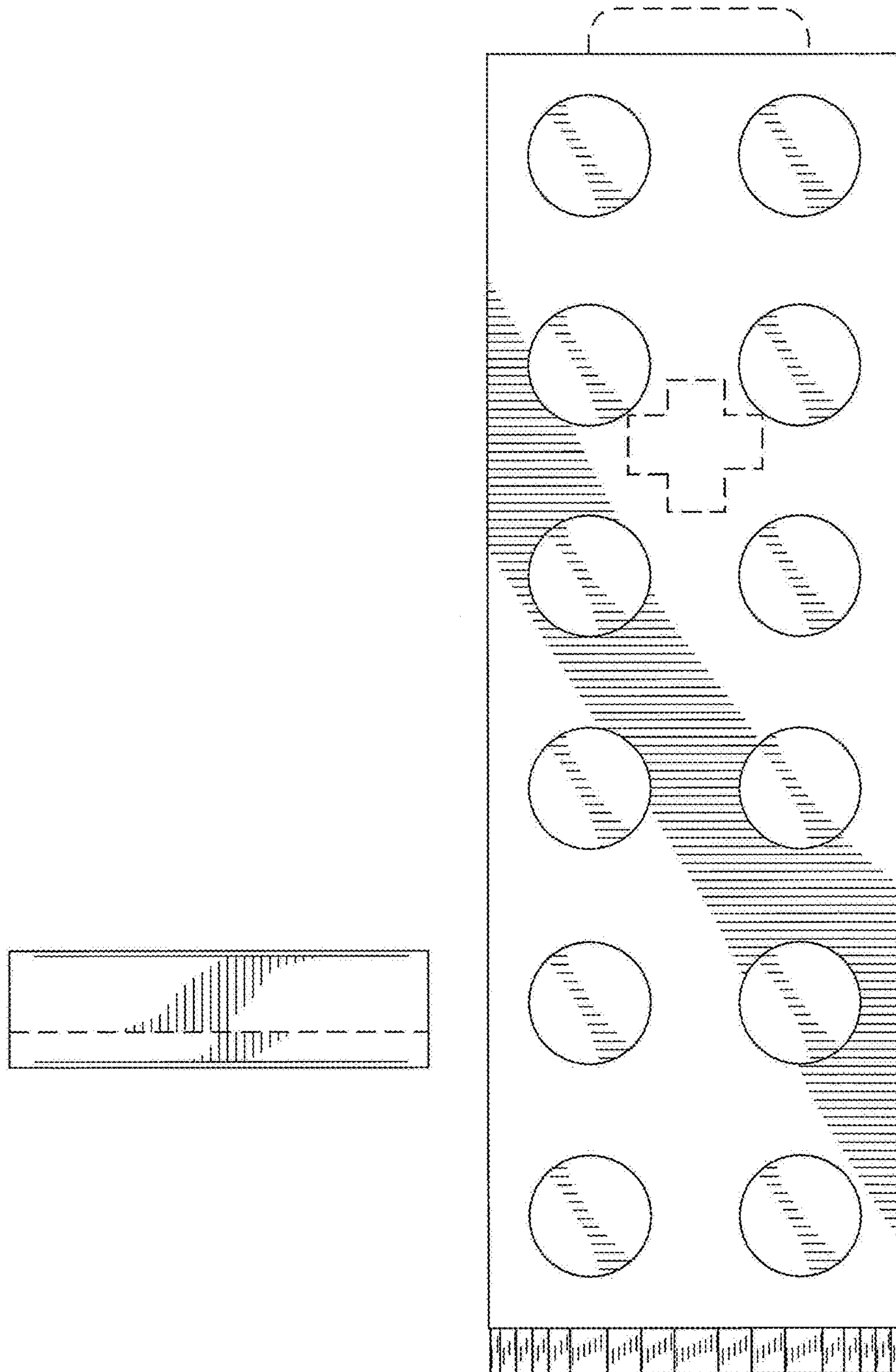


FIG. 19

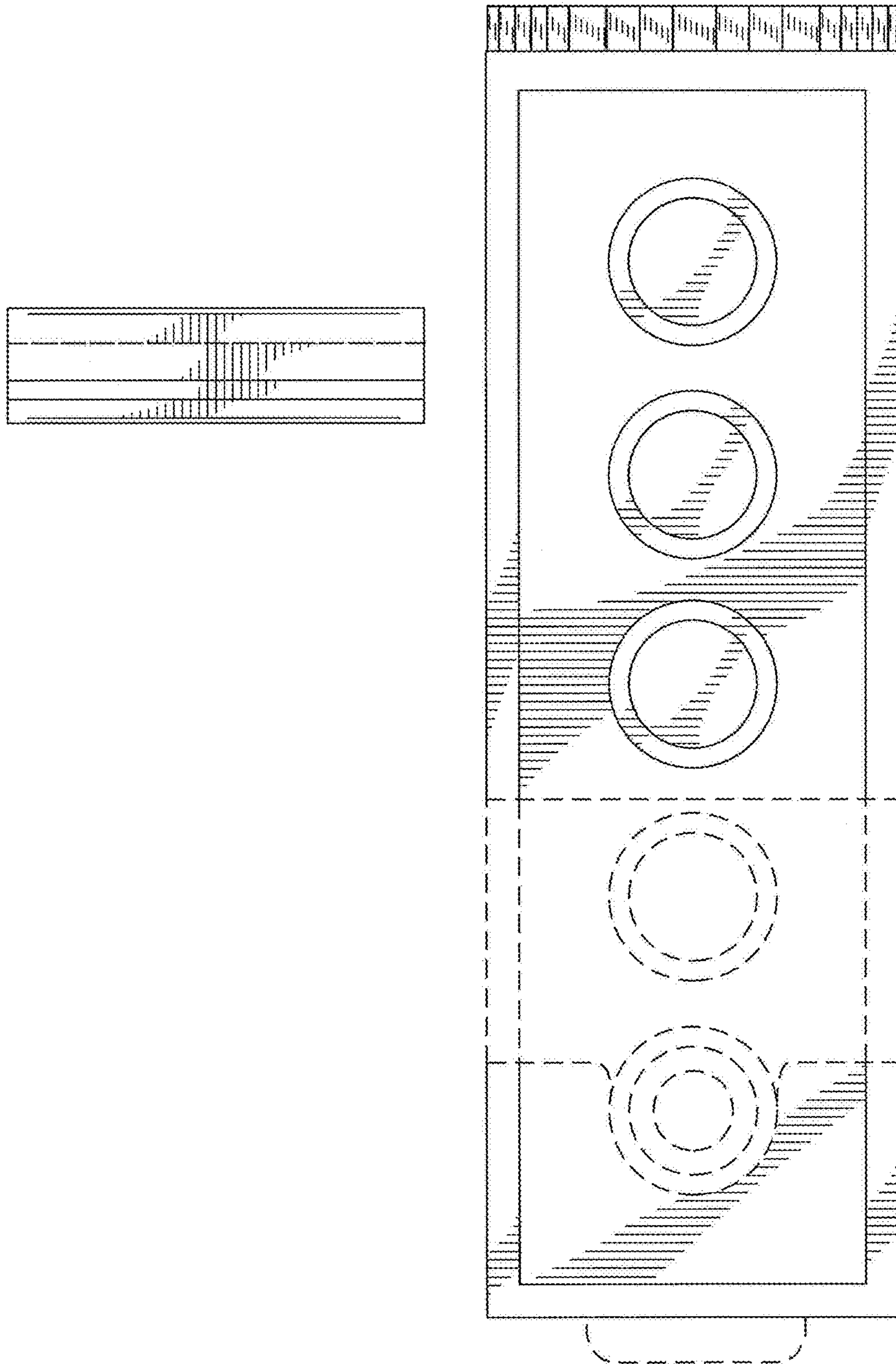


FIG. 20

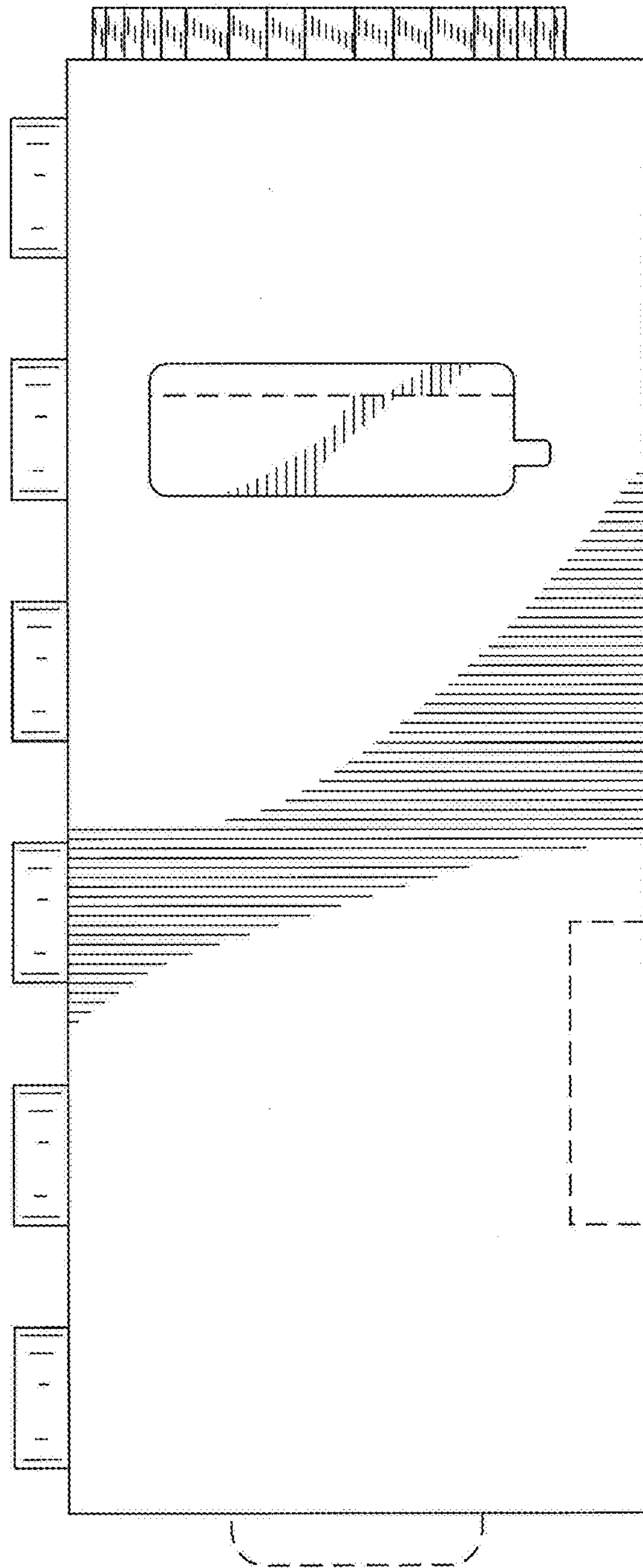


FIG. 21