



US00D860294S

(12) **United States Design Patent**
Kamei

(10) **Patent No.:** **US D860,294 S**

(45) **Date of Patent:** **** Sep. 17, 2019**

(54) **ELECTRONIC CAMERA**

(71) Applicant: **FUJIFILM Corporation**, Tokyo (JP)

(72) Inventor: **Keita Kamei**, Tokyo (JP)

(73) Assignee: **FUJIFILM Corporation**, Tokyo (JP)

(**) Term: **15 Years**

(21) Appl. No.: **29/663,299**

(22) Filed: **Sep. 13, 2018**

Related U.S. Application Data

(62) Division of application No. 29/571,788, filed on Jul. 21, 2016, now Pat. No. Des. 831,723.

(30) **Foreign Application Priority Data**

Jan. 22, 2016 (JP) 2016-001228
Jan. 22, 2016 (JP) 2016-001229

(51) **LOC (12) Cl.** **16-05**

(52) **U.S. Cl.**
USPC **D16/219**

(58) **Field of Classification Search**
USPC D16/200–220, 239, 235, 242, 250, 310,
D16/136; D14/251, 138 C, 302, 129,
D14/130, 496; D26/28, 36, 37, 46, 39;
D10/104.1, 50, 65, 74; D29/104
CPC ... G02B 7/02; G02B 7/04; G02B 7/14; G03B
17/00; G03B 17/14
See application file for complete search history.

(56) **References Cited**

U.S. PATENT DOCUMENTS

D384,684 S 10/1997 Hamamura
D522,997 S * 6/2006 Hess D14/168
D534,564 S 1/2007 Tainaka

D542,266 S * 5/2007 Amid-Hozour D14/188
D560,700 S 1/2008 Naito et al.
D569,888 S * 5/2008 Kim D16/211
(Continued)

FOREIGN PATENT DOCUMENTS

EM 003303353-0001 7/2016
JP 1495673 S 4/2014

OTHER PUBLICATIONS

Fuji Guys—FinePix 90, announced Jan. 14, 2016 [online], [site visited Nov. 21, 2017], Available from Internet URL: <<https://www.youtube.com/watch?v=plOoUQw1J4A>> at approximately 0:35.
(Continued)

Primary Examiner — Barbara Fox
Assistant Examiner — Mary Claire Ramirez
(74) *Attorney, Agent, or Firm* — Birch, Stewart, Kolasch & Birch, LLP

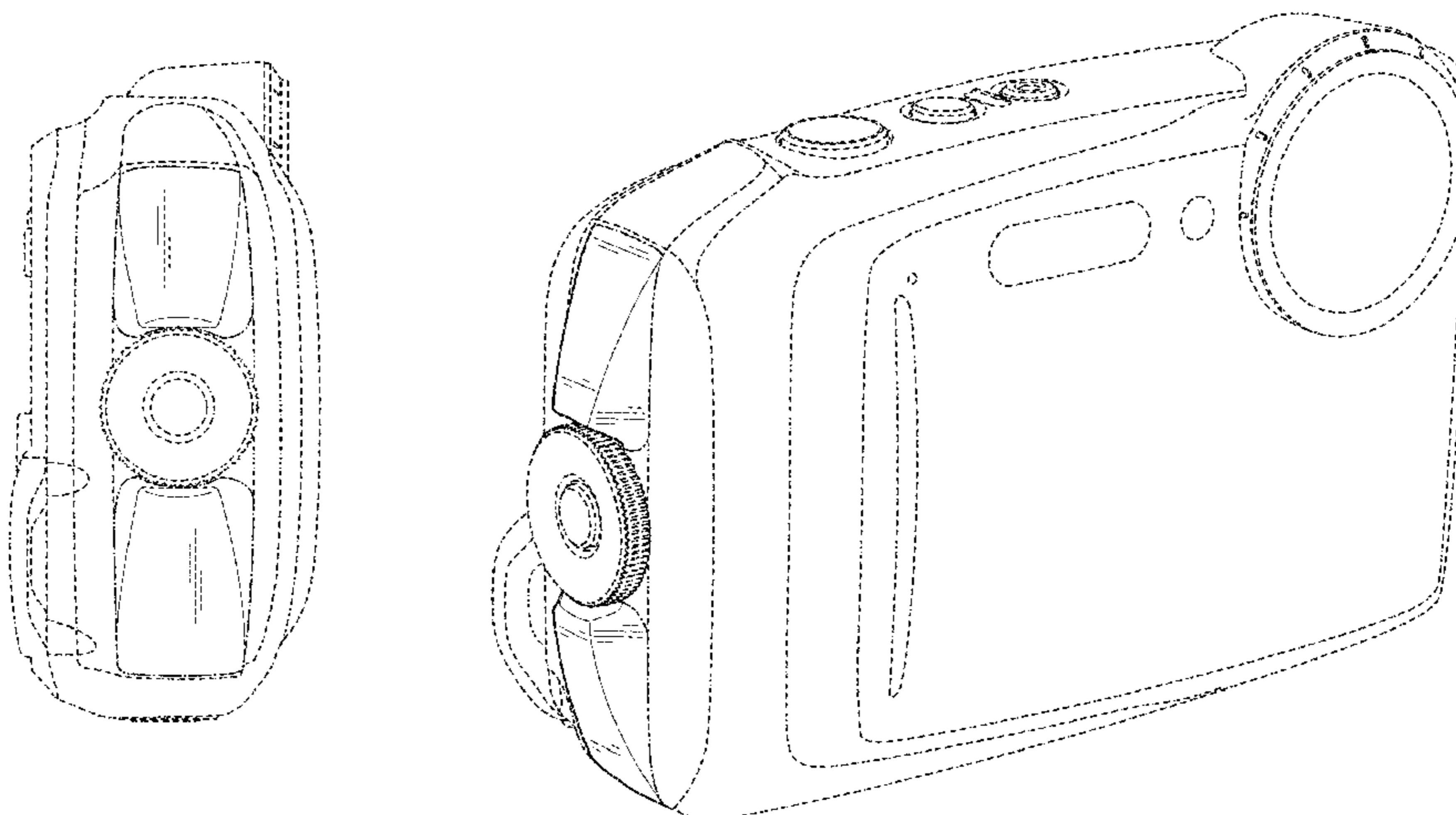
(57) **CLAIM**

The ornamental design for an electronic camera, as shown and described.

DESCRIPTION

FIG. 1 is a front view of an electronic camera;
FIG. 2 is a rear view thereof;
FIG. 3 is a plan view thereof;
FIG. 4 is a bottom view thereof;
FIG. 5 is a right side view thereof;
FIG. 6 is a left side view thereof;
FIG. 7 is a perspective view from front and left side directions thereof; and,
FIG. 8 is a perspective view from rear and left side directions thereof.
The dash-dash broken lines shown in the drawings depict portions of the electronic camera that form no part of the claimed design. The dot-dash lines shown in the drawings depict the boundaries of the claim and form no part thereof.

1 Claim, 5 Drawing Sheets



(56)

References Cited

U.S. PATENT DOCUMENTS

D604,348 S 11/2009 Inaba
 D608,341 S * 1/2010 Nakagawa D14/137
 7,856,255 B2 * 12/2010 Tsuchiya G06F 1/1616
 200/11 TW
 D640,300 S * 6/2011 Sato D16/202
 D640,719 S * 6/2011 Sato D16/202
 D644,676 S 9/2011 Katayama
 D648,765 S 11/2011 Tsukamoto
 D660,897 S 5/2012 Imai
 D665,003 S * 8/2012 Sakai D16/202
 D680,149 S * 4/2013 Nakajima D16/219
 D696,326 S * 12/2013 Sato D16/200
 D702,752 S 4/2014 Sakai
 D703,255 S * 4/2014 Sakai D16/202
 D703,256 S * 4/2014 Sakai D16/219
 D706,331 S 6/2014 Sakai
 D706,851 S 6/2014 Sakai
 D712,870 S * 9/2014 Kim D14/203.7
 D717,353 S 11/2014 Kobayashi et al.
 D717,763 S * 11/2014 Han D14/203.7
 D724,640 S 3/2015 Ikegame
 D730,424 S * 5/2015 Sakai D16/219
 D738,948 S * 9/2015 Ham D16/202
 D742,952 S 11/2015 Nakajima
 D747,288 S * 1/2016 Han D14/203.3
 D749,640 S * 2/2016 Wang D14/496
 D751,136 S * 3/2016 Musec D16/208
 D773,545 S * 12/2016 Nikaido D16/202
 D792,371 S * 7/2017 Kim D14/203.7
 D793,387 S * 8/2017 Park D14/341
 D806,050 S * 12/2017 Dong D14/203.3

D808,357 S * 1/2018 Kim D14/203.7
 D810,811 S * 2/2018 Imamizu D16/219
 D821,475 S * 6/2018 Ikegame D16/200
 D823,924 S * 7/2018 Ikegame D16/219
 D831,723 S * 10/2018 Kamei D16/202
 D836,152 S * 12/2018 Ikegame D16/219
 D846,620 S * 4/2019 Katori D16/219

OTHER PUBLICATIONS

Fujifilm Corporation, "Compact, lightweight and rugged—the New FinePix XP90", Jan. 15, 2016, total number of pp. 3, <URL: http://www.fujifilm.com/news/n160115_04.html>.
 Fujifilm XP90 Review, announced Jan. 15, 2016 [online], [site visited Nov. 21, 2017], Available from Internet URL: <<http://cameradecision.com/review/Fujifilm-XP90>>.
 Fujifilm, "FinePix X90," Feb. 17, 2016, pp. 1-4 (5 pages total), http://www.fujifilm.co.jp/corporate/news/articleffnr_1037.html, with a partial English translation.
 Fujifilm, Value from Innovation, "FinePix X90", dated Feb. 17, 2016, 9 pages, <URL: http://www.fujifilm.co.jp/corporate/news/articleffnr_1037.html>.
 Japanese Notification and partial English translation thereof, dated Jul. 22, 2016, for Japanese Application No. 2016-001228.
 The new FinePix XP90, announced Jan. 15, 2016 [online], [site visited Nov. 21, 2017], Available from Internet URL: http://www.fujifilm.com/news/n160115_04.html.
 U.S. Notice of Allowance issued in corresponding U.S. Appl. No. 29/571,788 dated Jul. 6, 2018.
 U.S. Office Action issued in corresponding U.S. Appl. No. 29/571,788 dated Nov. 30, 2017.

* cited by examiner

FIG. 1

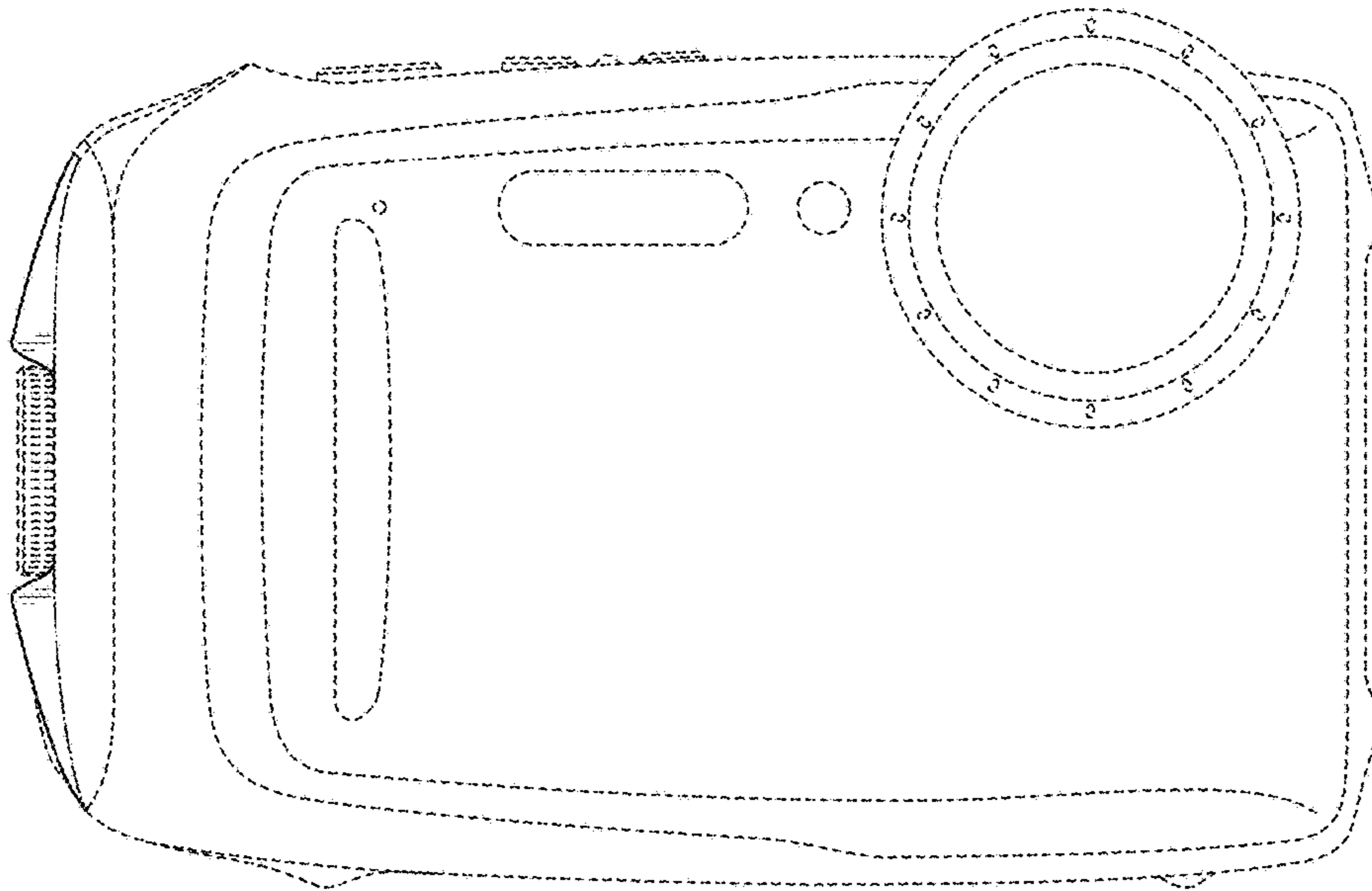


FIG. 2

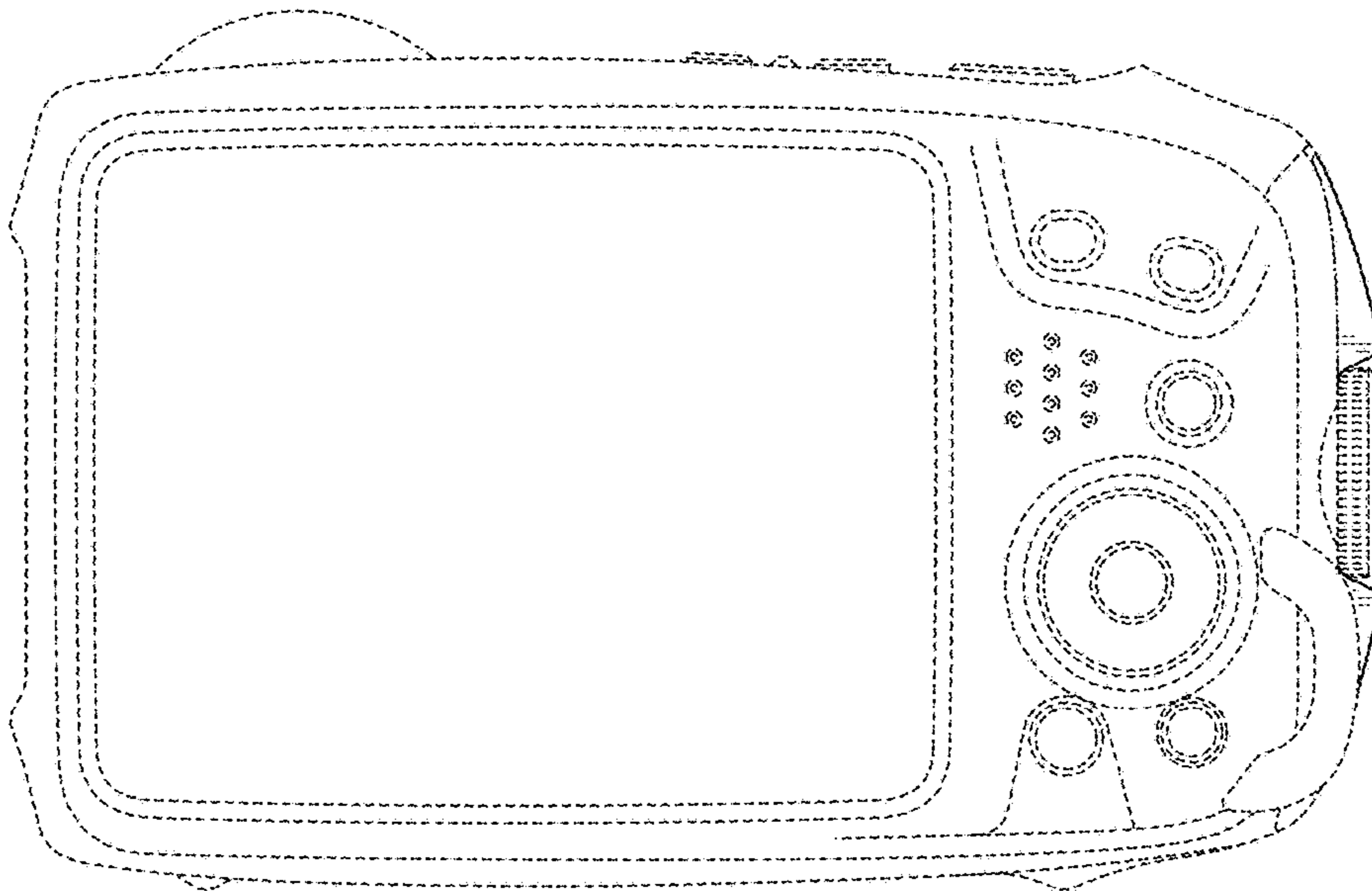


FIG. 3

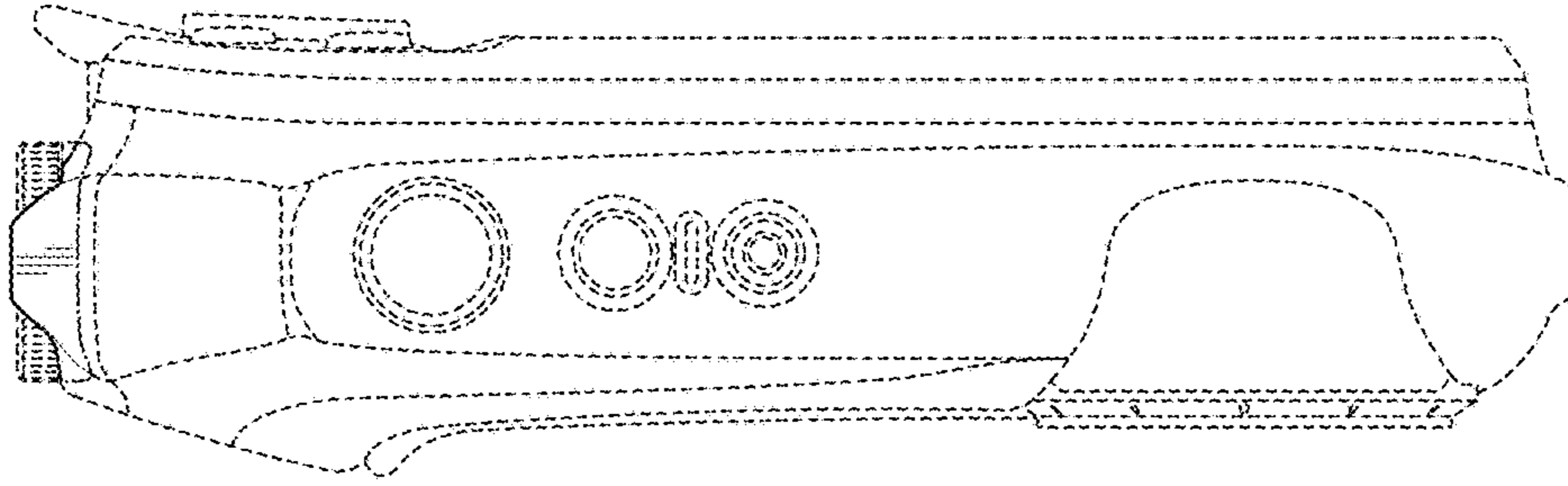


FIG. 4

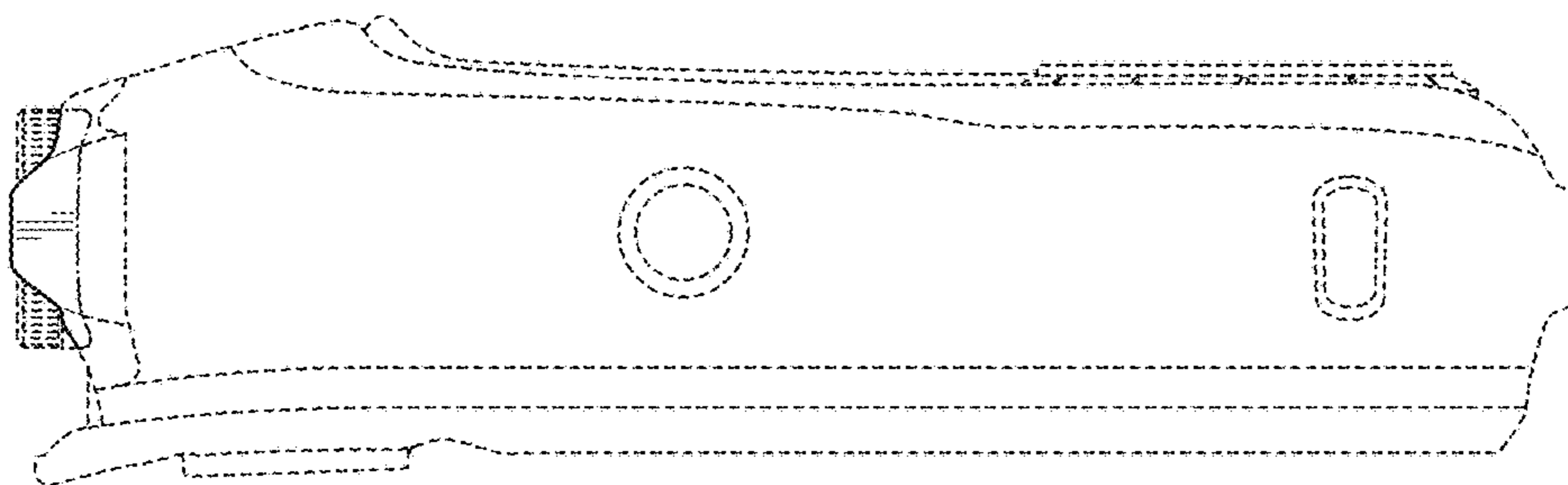


FIG. 5

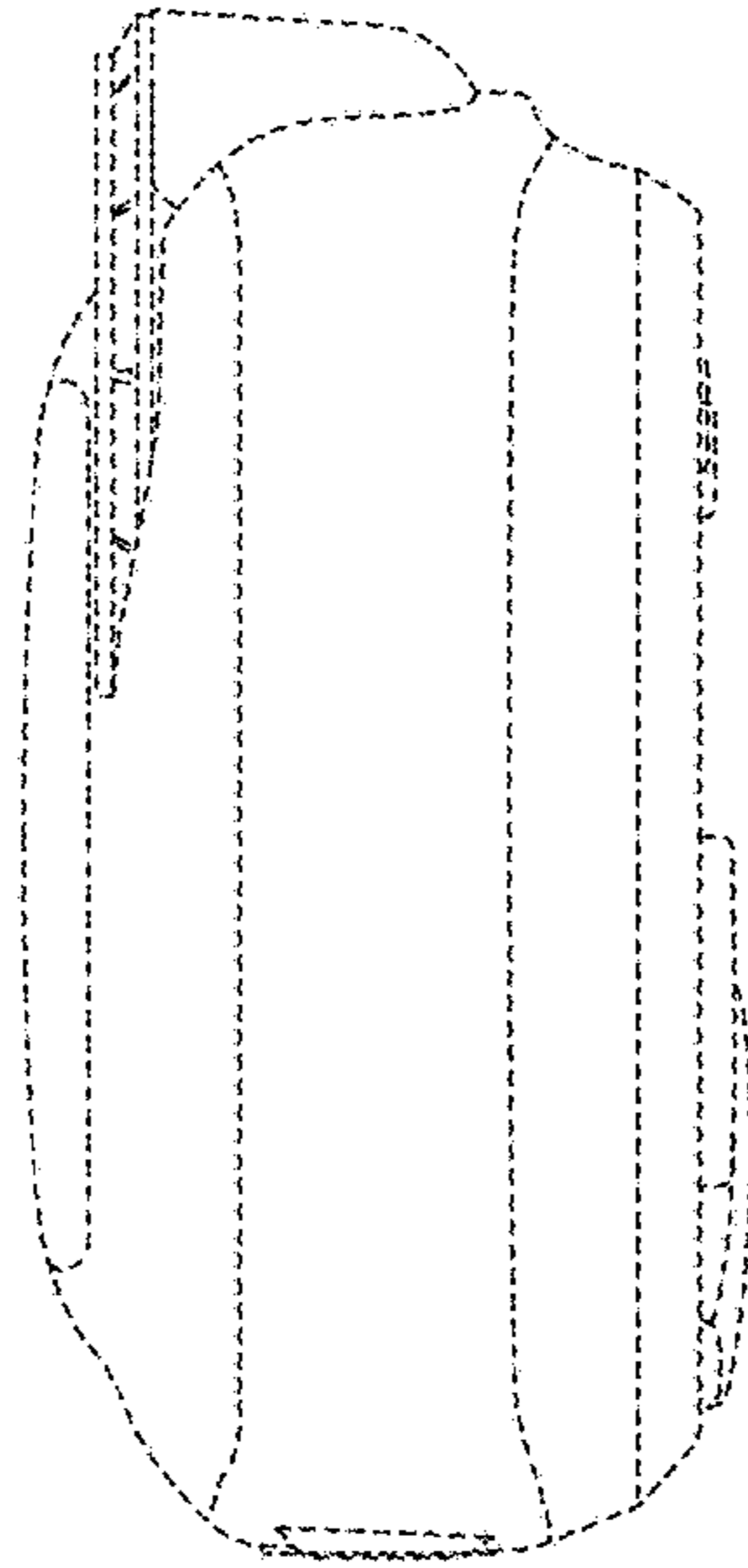


FIG. 6

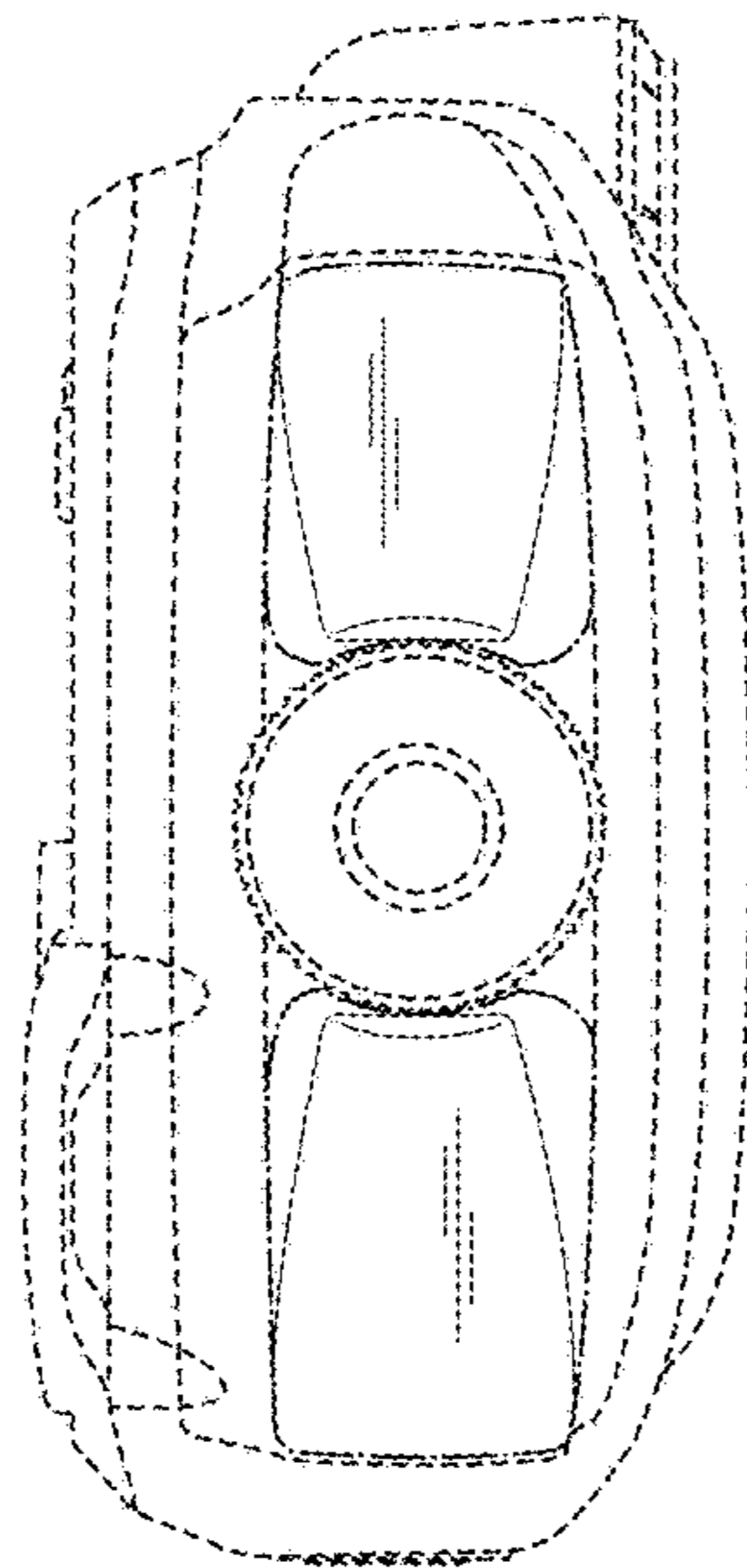


FIG. 7

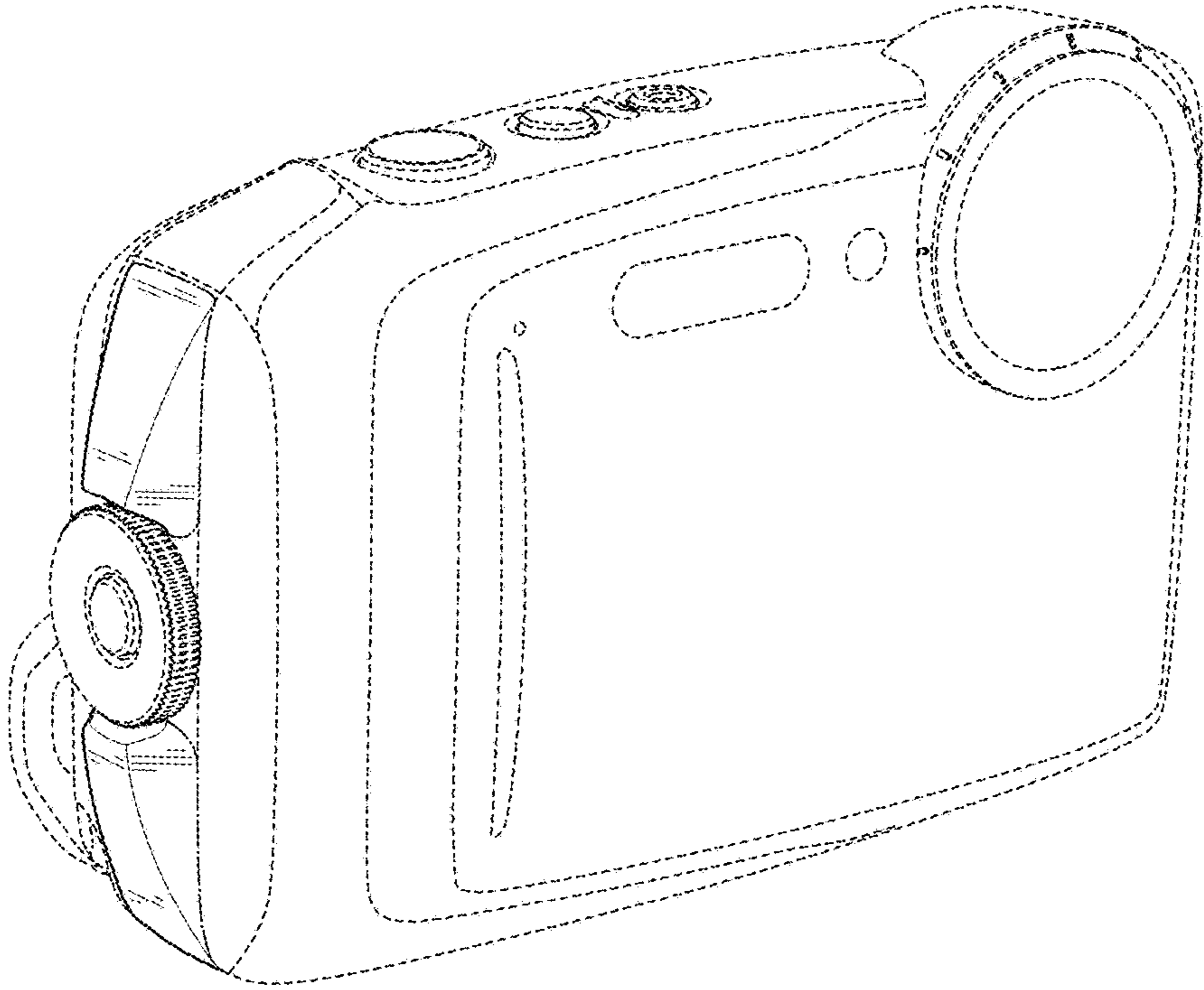


FIG. 8

