

US00D860292S

(12) **United States Design Patent**
Callens

(10) **Patent No.:** **US D860,292 S**

(45) **Date of Patent:** **** Sep. 17, 2019**

(54) **CAMERA**

(71) Applicant: **Sharingbox SA**, Brussels (BE)

(72) Inventor: **Nicolas Callens**, Drogenbos (BE)

(73) Assignee: **Sharingbox SA**, Brussels (BE)

(**) Term: **15 Years**

(21) Appl. No.: **29/544,036**

(22) Filed: **Oct. 29, 2015**

(30) **Foreign Application Priority Data**

Apr. 29, 2015 (EM) 002691568

(51) **LOC (12) Cl.** **16-01**

(52) **U.S. Cl.**
USPC **D16/214; D16/215**

(58) **Field of Classification Search**
USPC D16/200, 202–206, 214–216, 218, 219,
D16/229, 239, 240, 242, 244; D14/175,
D14/178, 184; D25/16; 52/27.5, 29,
52/36.1; 348/373–376; 396/2, 3, 5, 419,
396/427, 429, 535, 539–541
CPC G03B 15/00; G03B 15/03; G03B 15/06;
G03B 17/02; G03B 17/04; G03B 17/53;
G03B 17/56; G03B 19/04; H04N 5/2251;
H04N 5/2252; H04N 5/2253; H04N
5/2254; H04N 2101/00
See application file for complete search history.

(56) **References Cited**

U.S. PATENT DOCUMENTS

D228,578 S * 10/1973 Glaros D16/214
6,415,106 B2 * 7/2002 Hayashi H04N 5/2251
348/376

D504,905 S * 5/2005 Tullberg D16/218
7,646,425 B2 * 1/2010 Bohaker H04N 1/00127
348/156
D633,933 S * 3/2011 Van Schalkwyk D16/214
D682,339 S * 5/2013 Uppiano D16/218
D705,445 S * 5/2014 Bolos D25/16
D721,757 S * 1/2015 Shepard D16/214
D727,992 S * 4/2015 Tu D16/215
D729,296 S * 5/2015 Shelton D16/202
D731,575 S * 6/2015 Moss D16/215
D752,127 S * 3/2016 Inagaki D16/215
D755,876 S * 5/2016 Moss D16/214

* cited by examiner

Primary Examiner — Ramzi S Almatrahi

(74) *Attorney, Agent, or Firm* — Wolf, Greenfield & Sacks, P.C.

(57) **CLAIM**

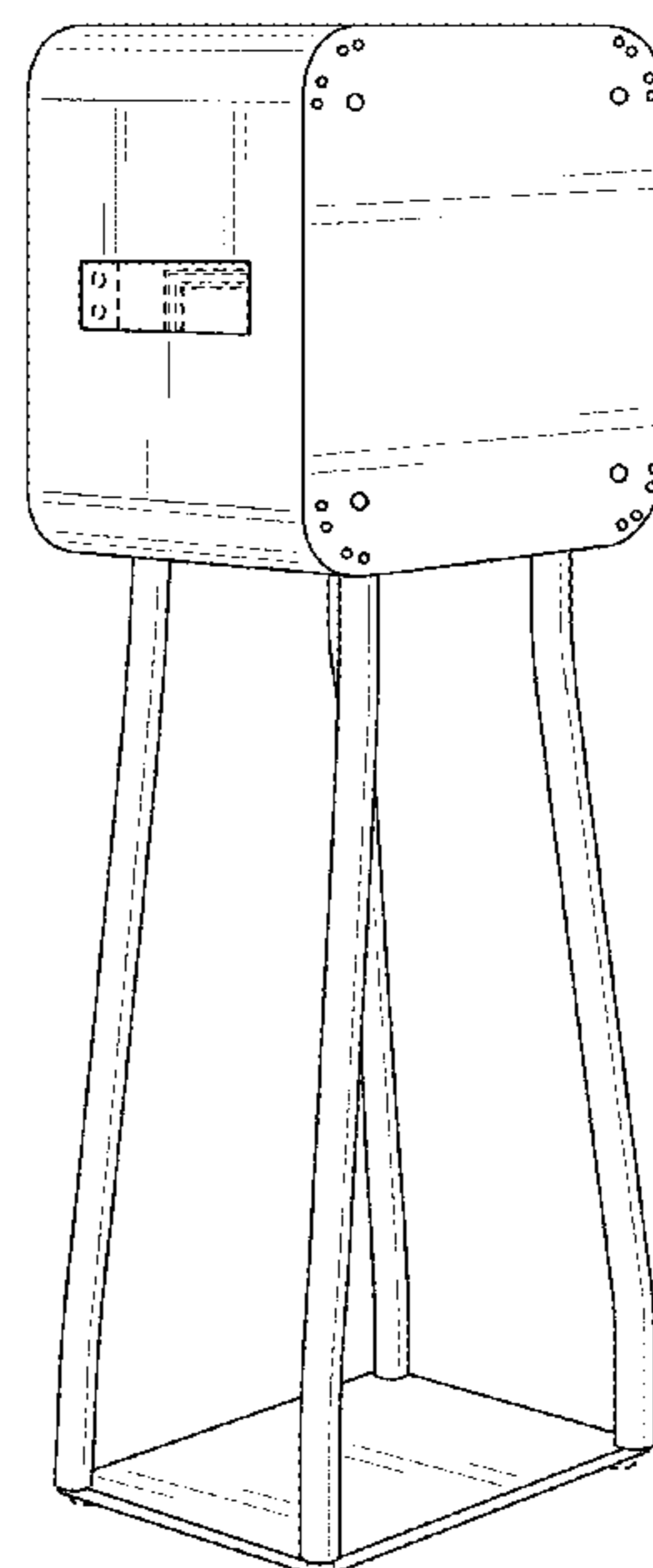
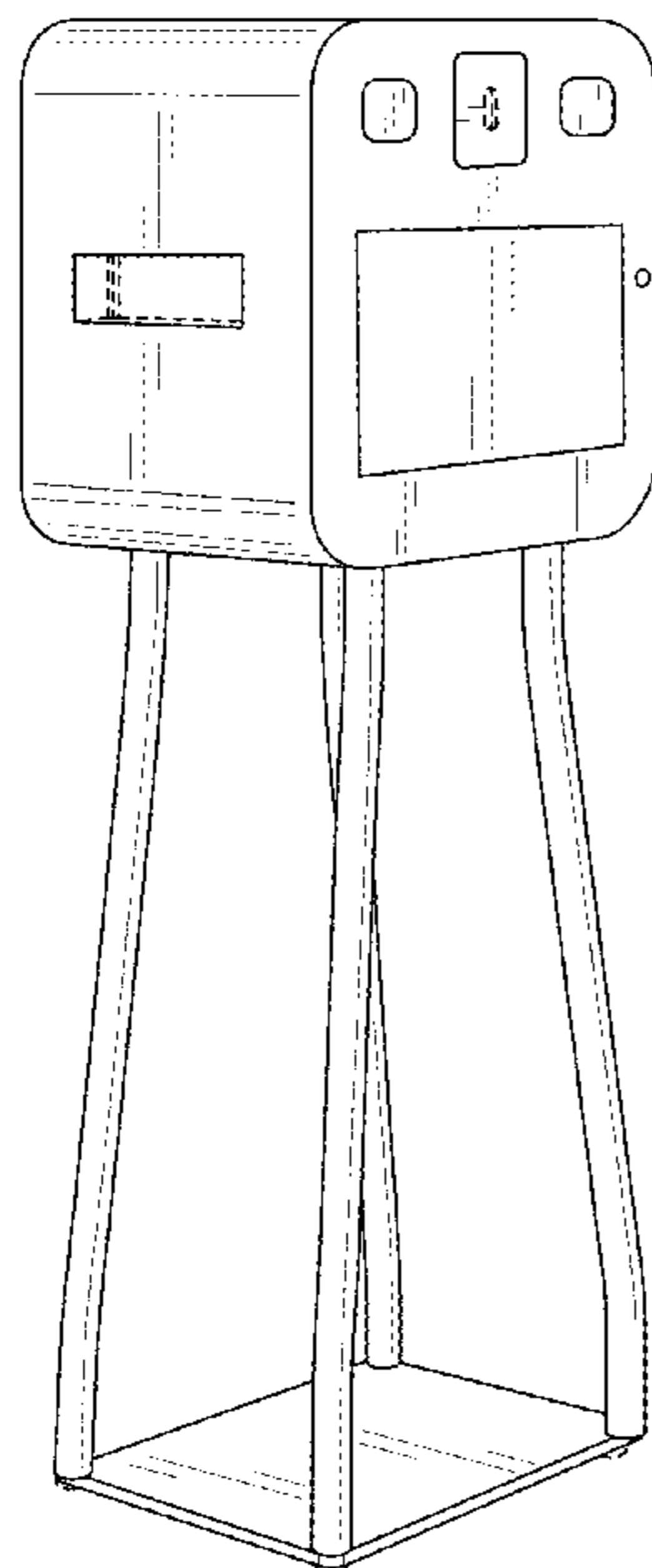
The ornamental design for a camera, as shown and described.

DESCRIPTION

FIG. 1 is a top, front, and left side perspective view of a camera showing my new design;
FIG. 2 is a top, front, and right side perspective view thereof;
FIG. 3 is a top, rear, and right side perspective view thereof;
FIG. 4 is a front perspective view thereof;
FIG. 5 is a rear perspective view thereof;
FIG. 6 is a left side perspective view thereof;
FIG. 7 is a right side perspective view thereof;
FIG. 8 is a top plan view thereof; and,
FIG. 9 is a bottom plan view thereof.

The broken lines depict portions of the camera in which the design is embodied that form no part of the claimed design.

1 Claim, 8 Drawing Sheets



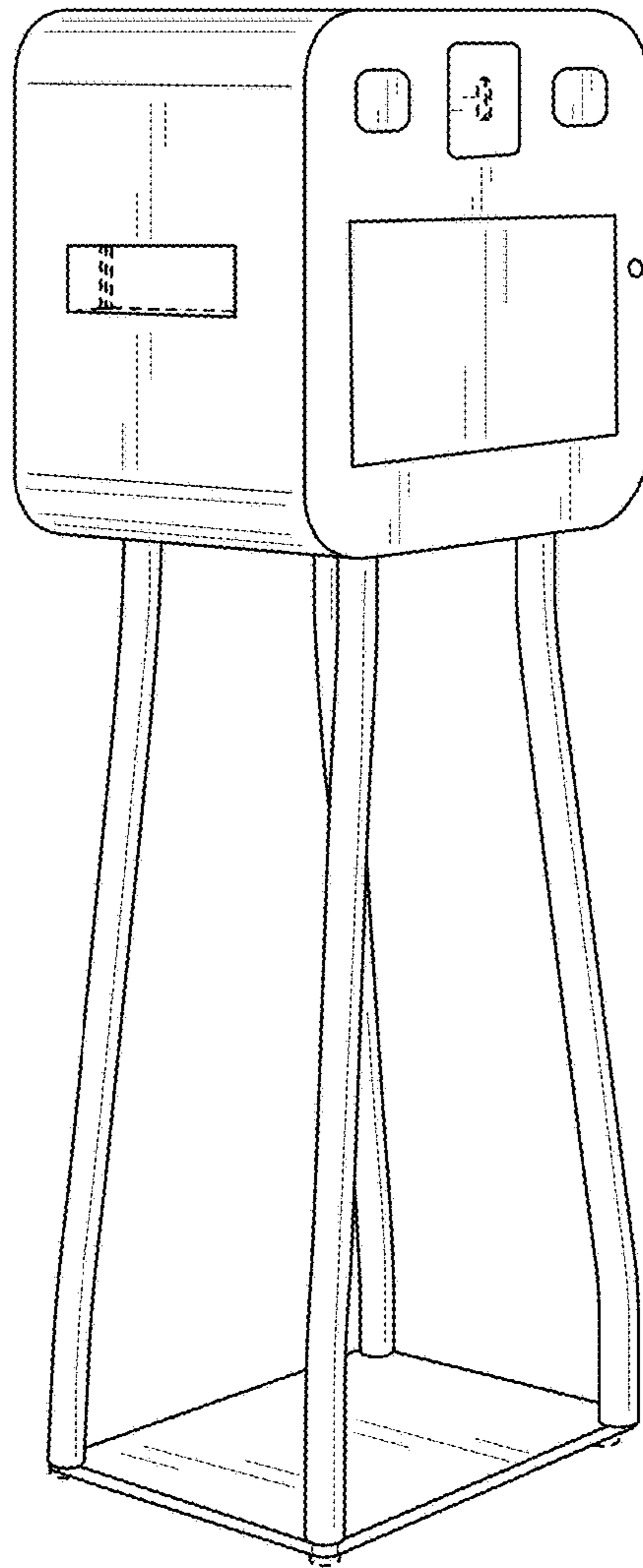


FIG. 1

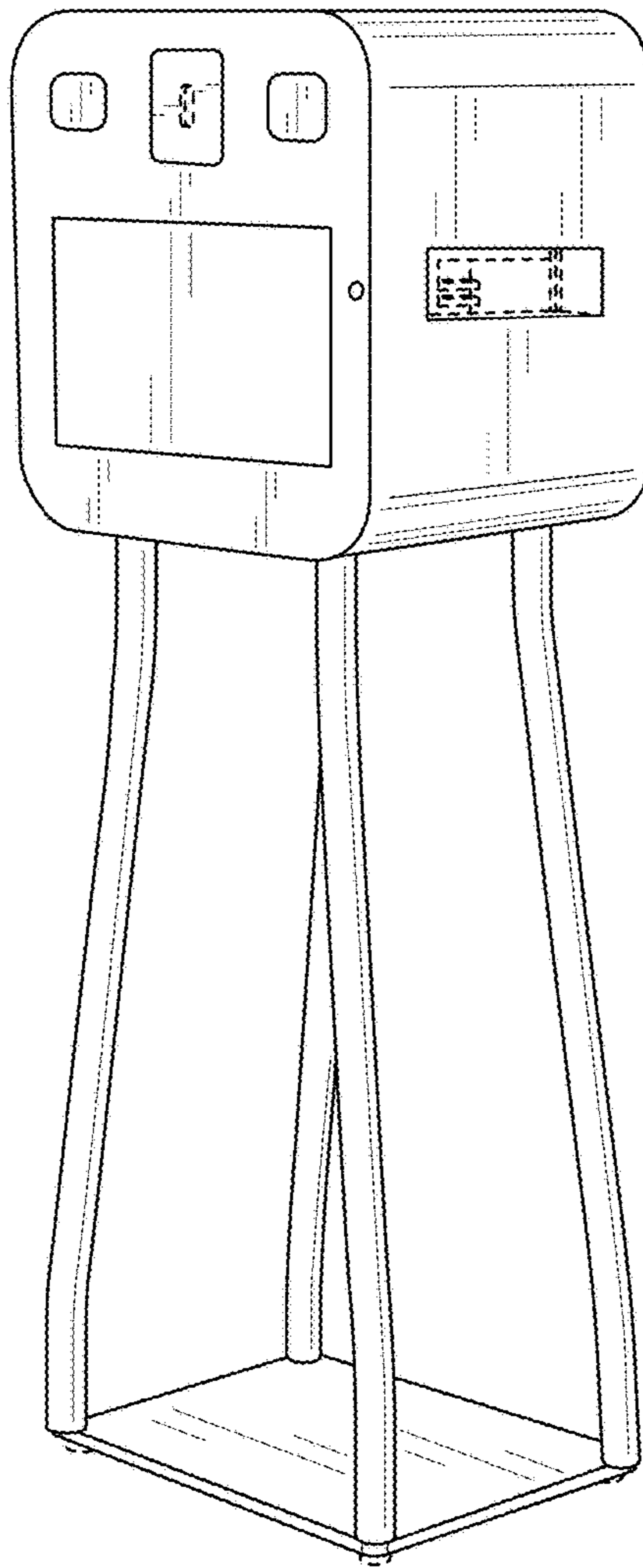


FIG. 2

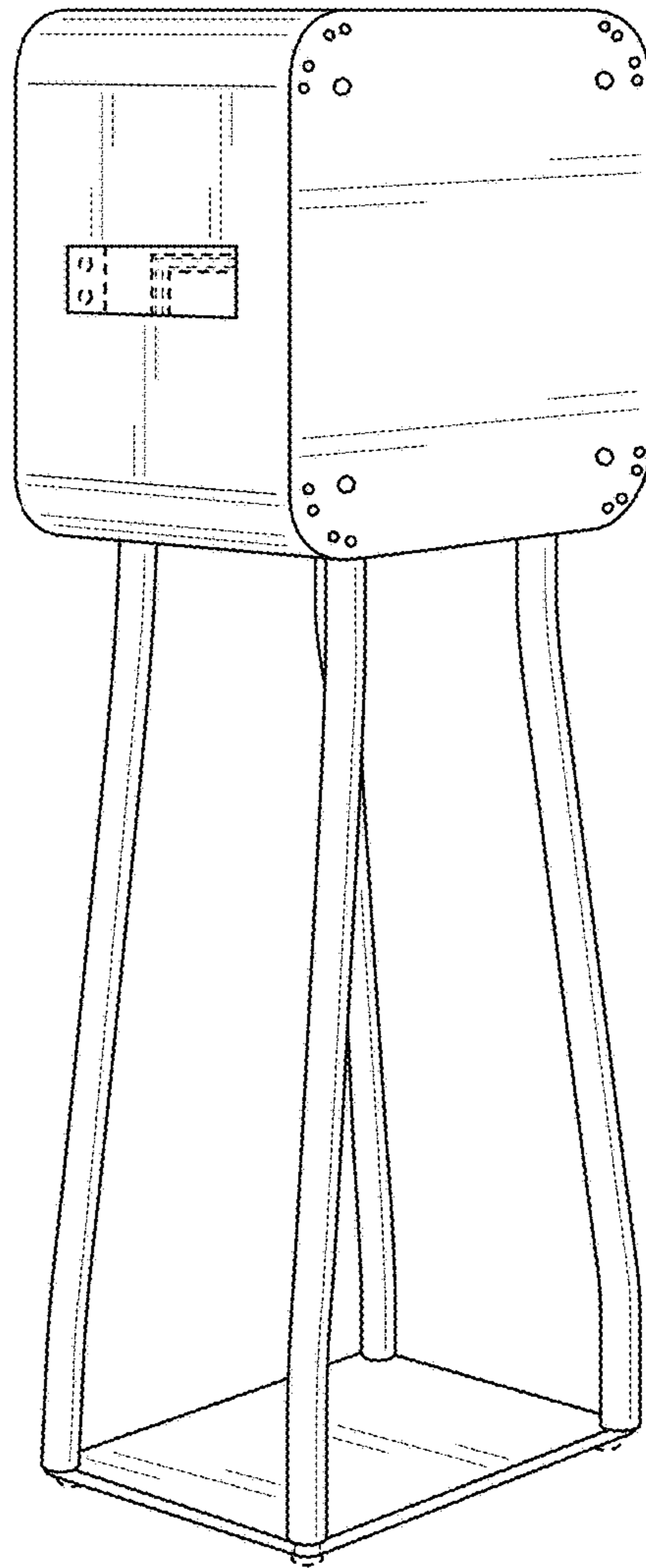


FIG. 3

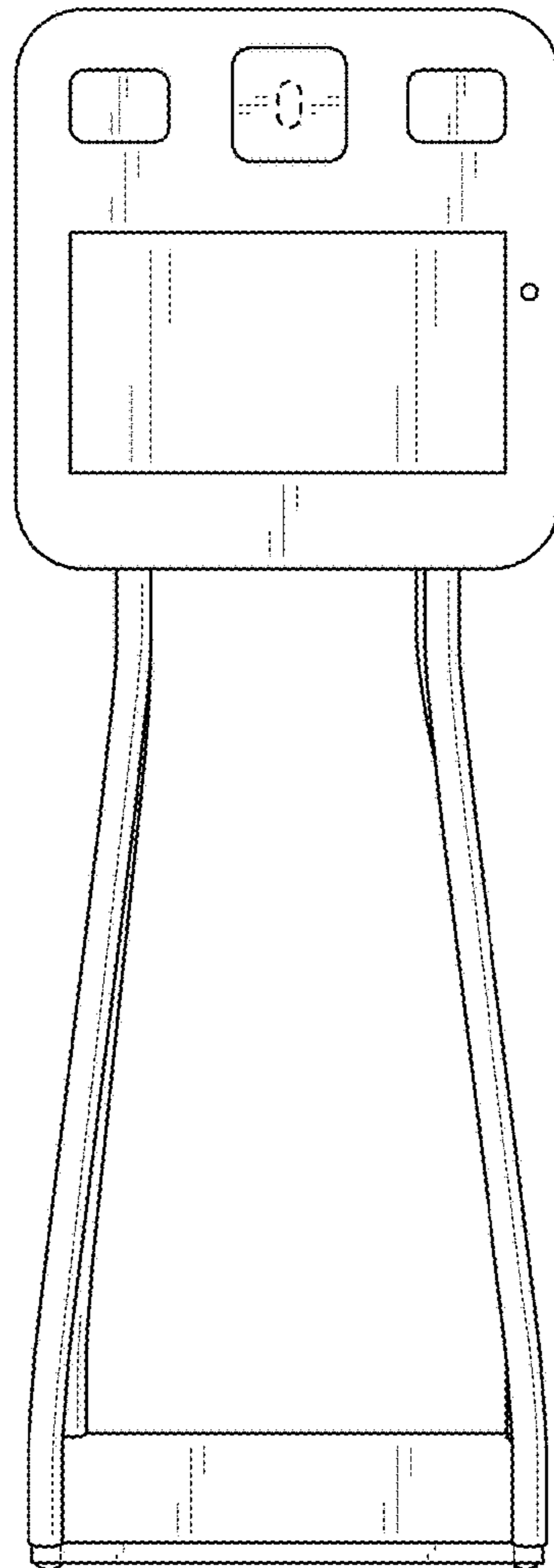


FIG. 4

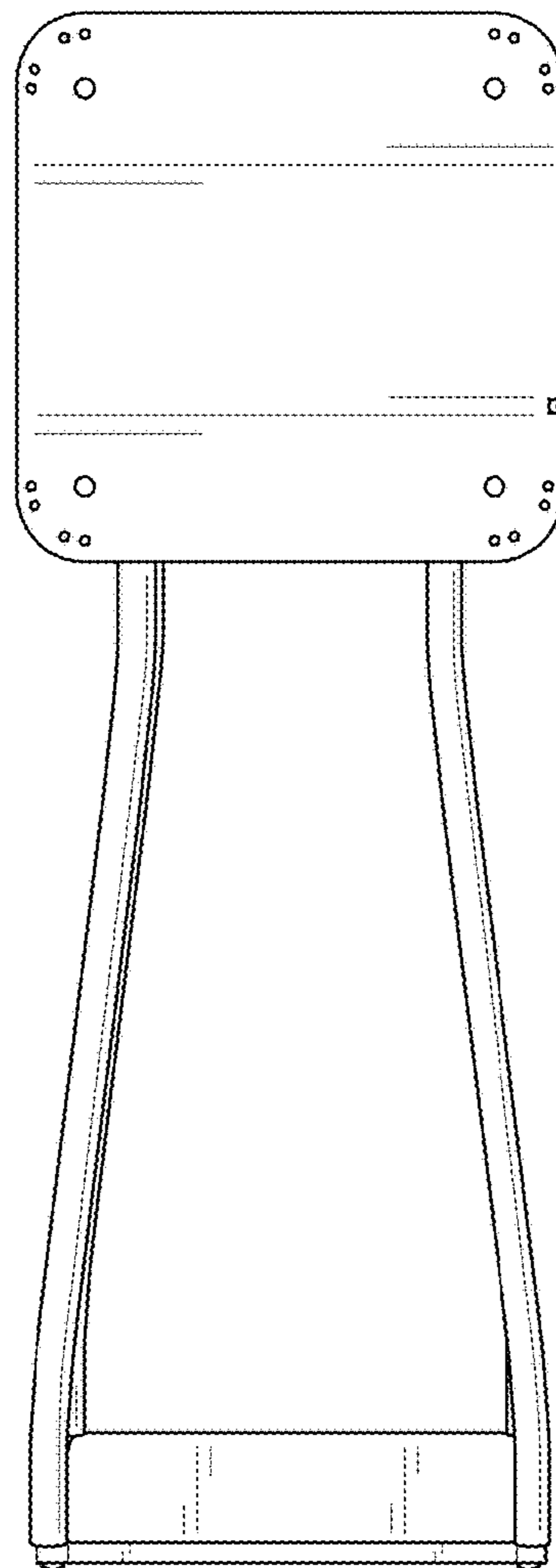


FIG. 5

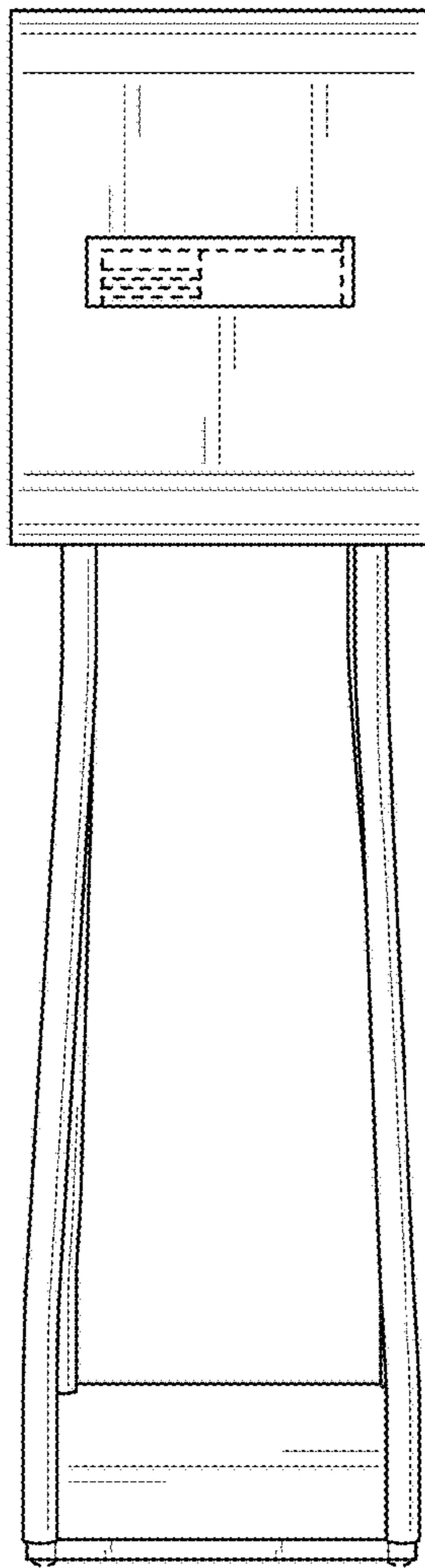


FIG. 6

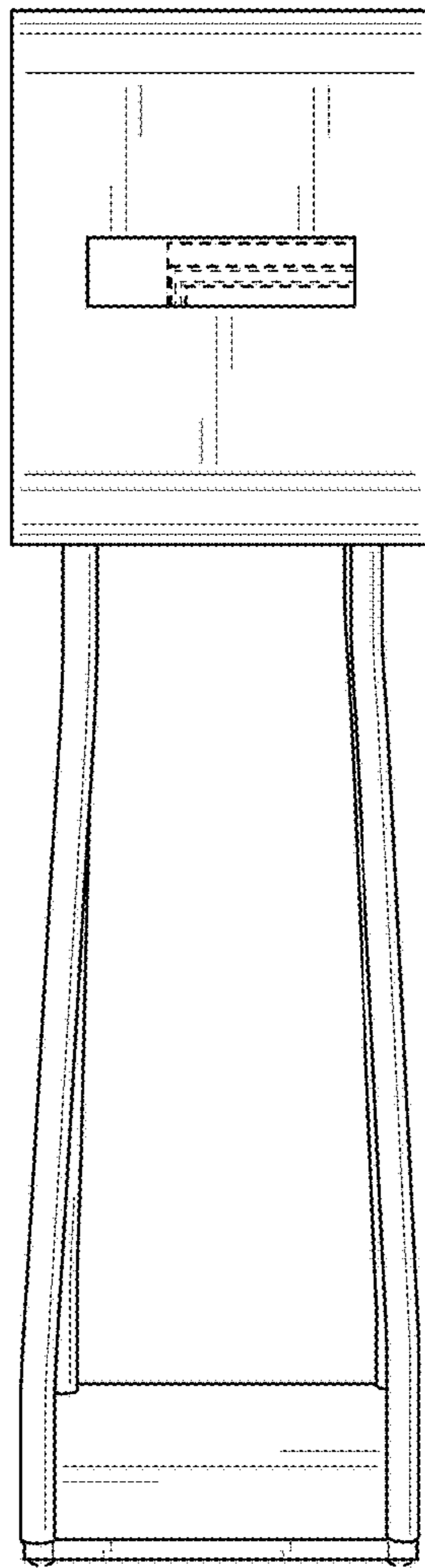


FIG. 7

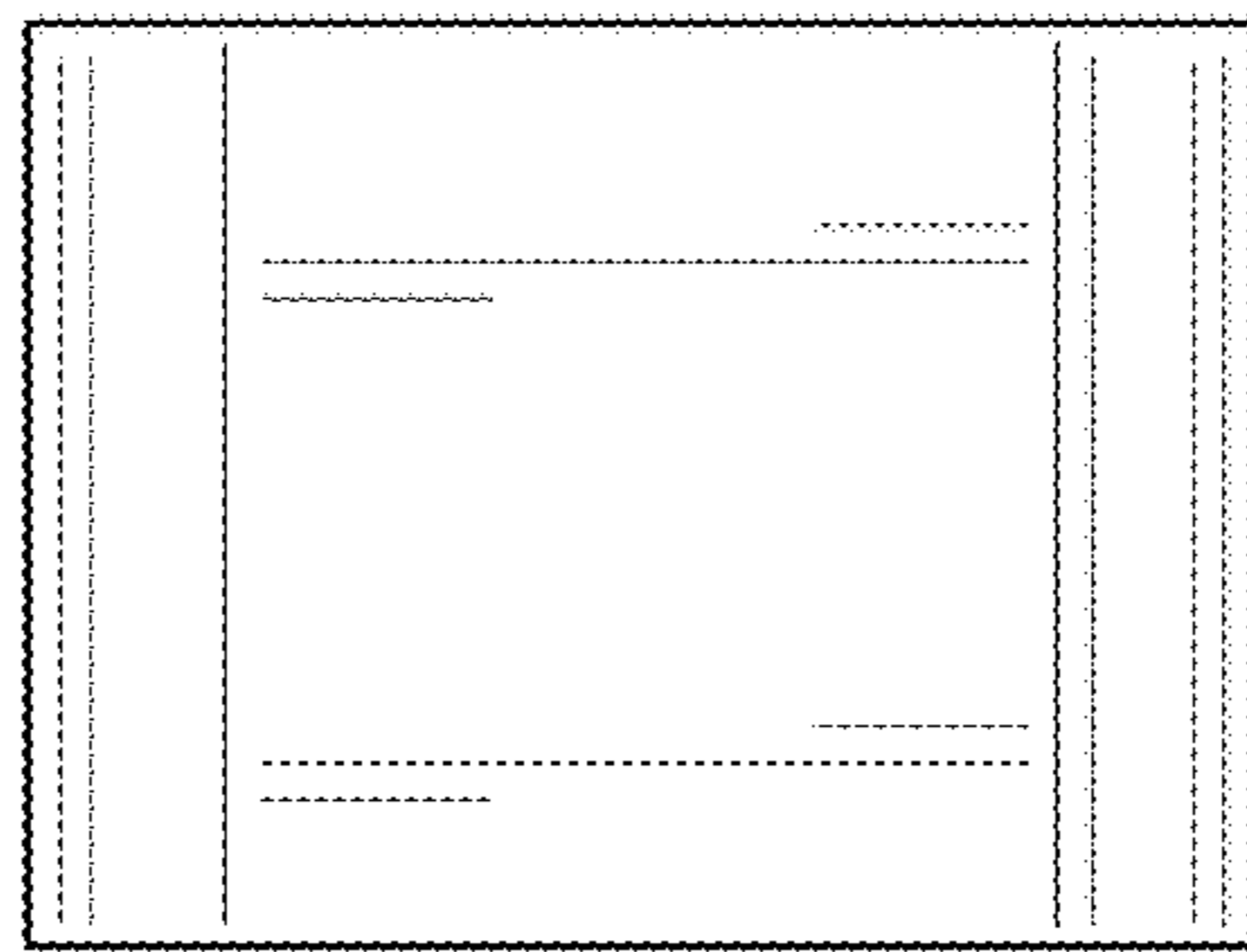


FIG. 8

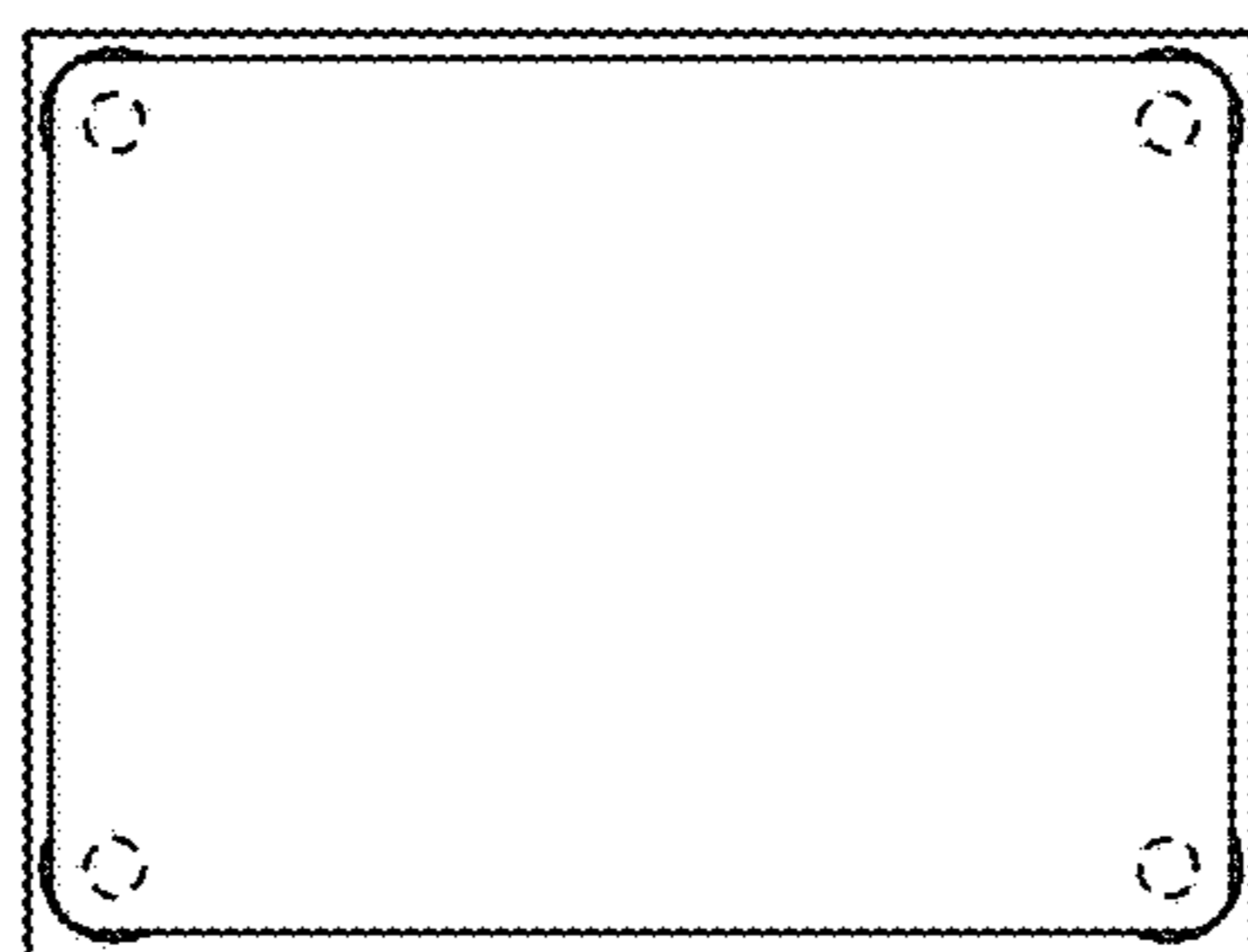


FIG. 9