



US00D860291S

(12) **United States Design Patent** (10) **Patent No.:** **US D860,291 S**
Lenz et al. (45) **Date of Patent:** **** Sep. 17, 2019**

(54) **CAMERA DEVICE WITH DISPLAY**

H01Q 1/3233; H01Q 9/28; G02B 27/01;
G02B 27/017; B60W 50/14

See application file for complete search history.

(71) Applicant: **Garmin Switzerland GmbH**,
Schaffhausen (CH)

(56) **References Cited**

(72) Inventors: **Derrick Lenz**, Olathe, KS (US); **Kevin Liu**, Kansas City, MO (US); **John R. Tines**, Olathe, KS (US)

U.S. PATENT DOCUMENTS

(73) Assignee: **Garmin Switzerland GmbH** (CH)

(**) Term: **15 Years**

(21) Appl. No.: **29/619,194**

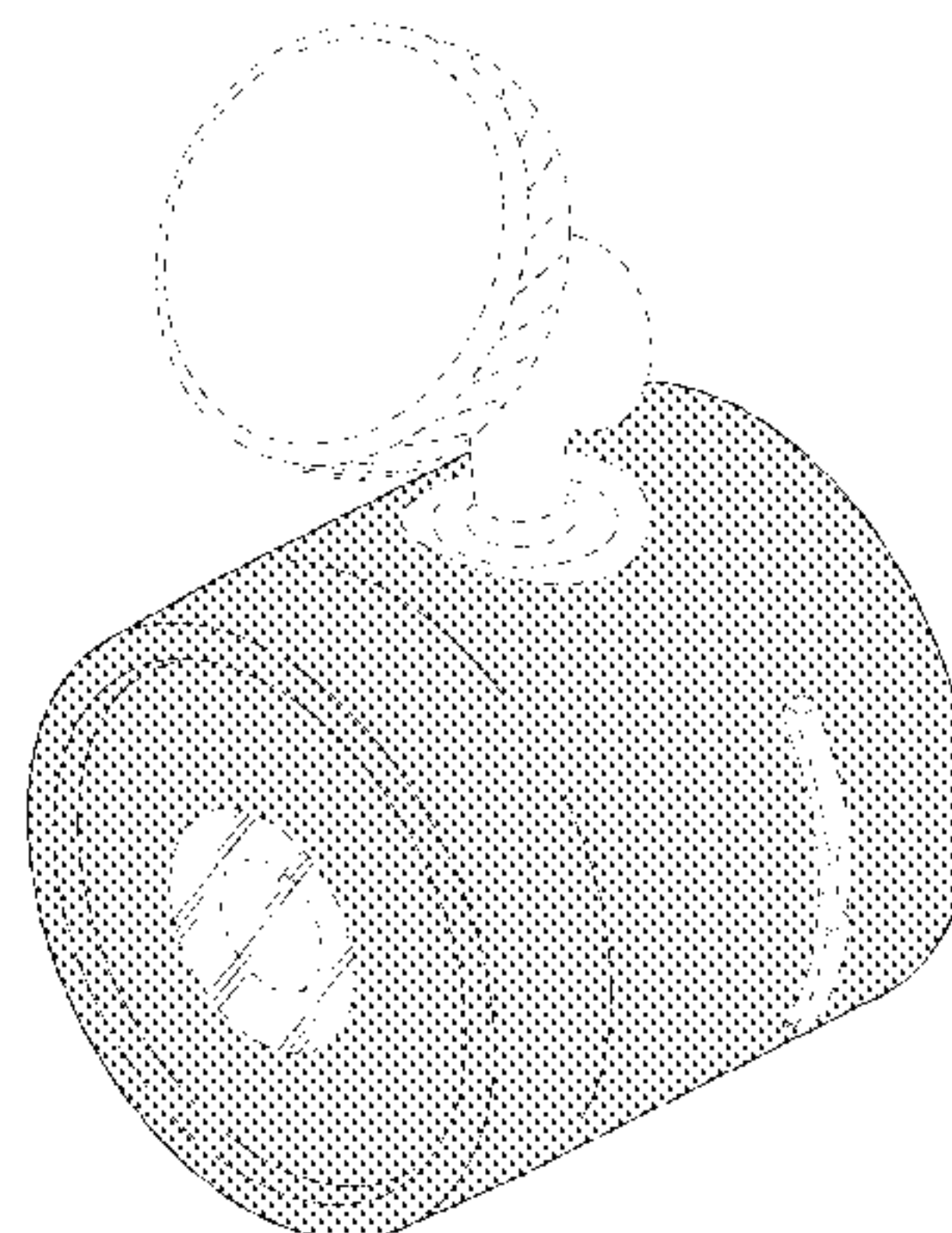
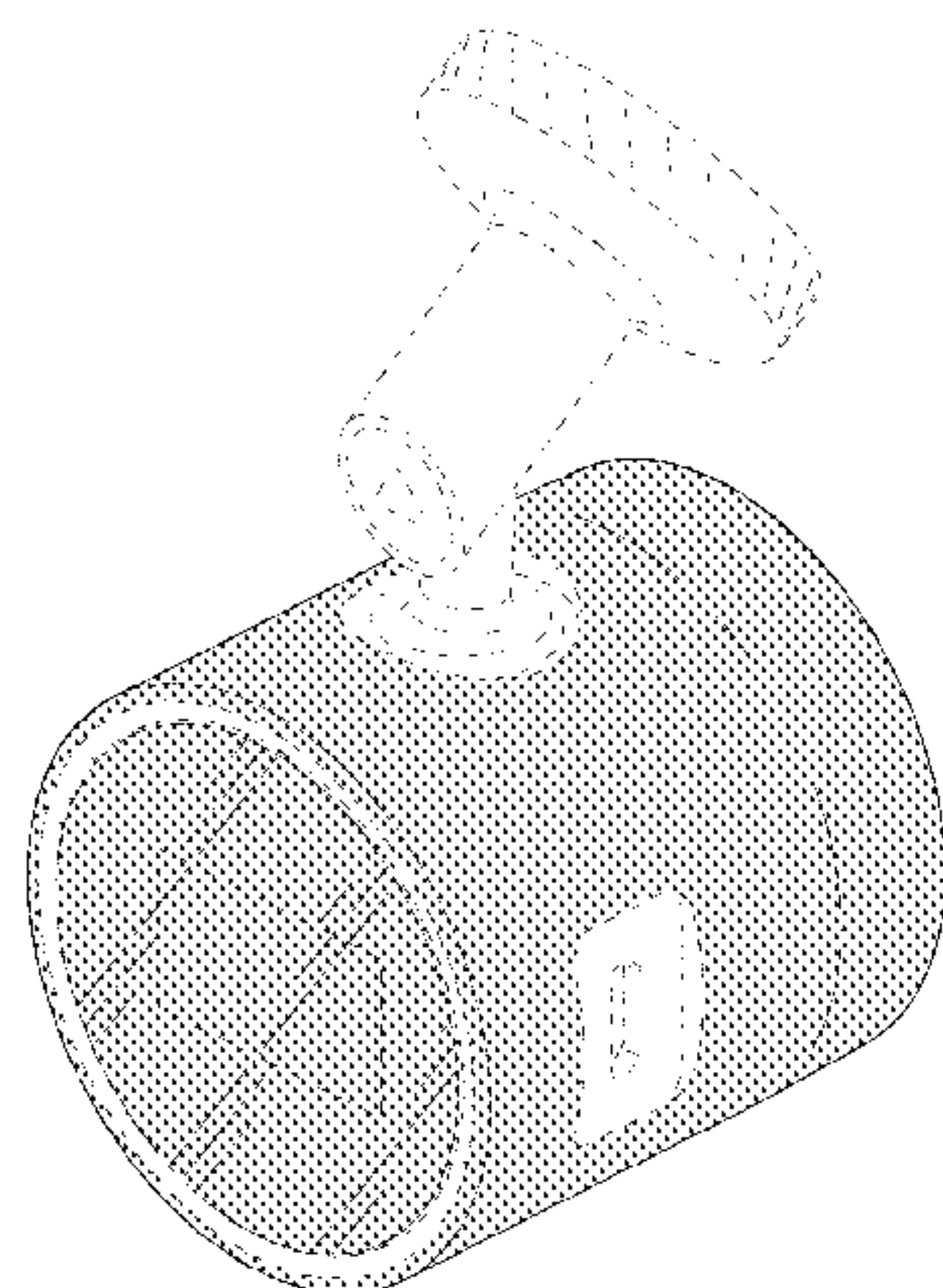
(22) Filed: **Sep. 27, 2017**

(51) **LOC (12) Cl.** **16-01**

(52) **U.S. Cl.**
USPC **D16/208**; D14/496; D14/168; D14/129;
D16/218

(58) **Field of Classification Search**
USPC D14/356-358, 300, 344, 371, 376, 432,
D14/448, 496, 126, 129, 167, 168, 171,
D14/203.1, 203.6, 203.7, 203.8, 216, 217,
D14/228, 238.1, 239, 240, 299; D10/46,
D10/61, 62, 65, 70, 74, 75, 80, 98, 103,
D10/104.1, 109.1, 109.2; D16/200, 202,
D16/203, 204, 205, 208, 219, 237, 241,
D16/101, 134, 135, 136, 218; D12/400,
D12/187, 188, 189, 415
CPC .. G01C 21/26; G01C 21/365; G01C 21/3629;
G01C 21/3635; G01C 21/3638; G01C
21/3664; G01C 22/00; H04M 1/72572;
G06F 3/041; G06F 3/04815; G06F 3/167;
G06F 16/638; G08G 1/096805; G08G
1/096811; G08G 1/096816; G08G
1/096877; G08G 1/096883; H01Q 1/32;

D310,676	S	*	9/1990	Charles	D16/132
D332,459	S	*	1/1993	Morimiya	396/27
D349,713	S	*	8/1994	Hasegawa	D16/203
D349,714	S	*	8/1994	Hasegawa	D16/203
5,394,203	A	*	2/1995	Murphy	G02B 27/01 353/13
D378,095	S	*	2/1997	Hasegawa	D16/203
D417,201	S	*	11/1999	Davis	D10/46
D418,853	S	*	1/2000	Kubota	D16/202
D421,619	S	*	3/2000	Eto	D16/208
D423,032	S	*	4/2000	Eto	D16/134
D425,506	S	*	5/2000	Olzak	D14/167
D427,128	S	*	6/2000	Mathieu	D12/189
D428,618	S	*	7/2000	McBride	D16/203
D430,888	S	*	9/2000	Adachi	D16/203
D436,898	S	*	1/2001	Okada	D12/114
D454,902	S	*	3/2002	Hsu	D16/202
D470,089	S	*	2/2003	Hook	D12/187
D474,490	S	*	5/2003	Ogasawara	D16/208
D485,804	S	*	1/2004	Lewis	D12/607
D497,859	S	*	11/2004	Schultz	D12/192
D500,511	S	*	1/2005	Sybilrud	D16/203
D509,825	S	*	9/2005	Chen	D14/300
D510,589	S	*	10/2005	Andre	D16/202
D520,489	S	*	5/2006	Hakoda	D14/171
D528,576	S	*	9/2006	Chung	D16/202
D536,719	S	*	2/2007	Lukic	D16/202
D540,842	S	*	4/2007	Yamakawa	D16/134
D545,858	S	*	7/2007	Li	D16/202
D547,346	S	*	7/2007	Ollila	D16/203
D554,683	S	*	11/2007	Jones	D16/208
D560,702	S	*	1/2008	Tokiwa	D16/208
D561,805	S	*	2/2008	Tokiwa	D16/208
D589,995	S	*	4/2009	Kellar	D16/203
D592,231	S	*	5/2009	Schnell	D16/202
D594,497	S	*	6/2009	Hatori	D16/202
D597,520	S	*	8/2009	Shiono	D10/2
D606,051	S	*	12/2009	Fleischer	D14/228
D618,147	S	*	6/2010	Bellingham	D12/187
D621,435	S	*	8/2010	Green	D16/202
D624,577	S	*	9/2010	Kujawski	D16/203
D627,811	S	*	11/2010	Andresen	D16/202
D636,421	S	*	4/2011	Sagen	D16/202
D637,985	S	*	5/2011	Andresen	D14/129
D640,721	S	*	6/2011	Satine	D16/202



US D860,291 S

Page 2

D640,722 S *	6/2011	Green	D16/219	D824,987 S *	8/2018	Boling	D16/218
7,987,046 B1 *	7/2011	Peterman	G01C 21/26	D824,988 S *	8/2018	Boling	D16/218
			701/454	D826,276 S *	8/2018	Langhammer	D14/496
D647,937 S *	11/2011	Raken	D16/203	D826,746 S *	8/2018	Qiu	D10/70
D659,568 S *	5/2012	Stevens	D10/65	D827,012 S *	8/2018	Katori	D16/202
D660,339 S *	5/2012	Yoshida	D16/202	D827,691 S *	9/2018	Zhong	D16/203
D662,122 S *	6/2012	Goodwin	D16/208	D828,425 S *	9/2018	Piekarski	D16/202
D663,345 S *	7/2012	Tanifuji	D16/202	D828,426 S *	9/2018	Li	D16/202
D682,909 S *	5/2013	Kim	24/115 R	D828,429 S *	9/2018	Moon	D16/218
D683,381 S *	5/2013	Asano	D16/219	D829,242 S *	9/2018	Laine	D14/496
D693,869 S *	11/2013	Asano	D16/219	D829,261 S *	9/2018	Matsumiya	D16/219
D696,329 S *	12/2013	Horiki	D16/203	D829,800 S *	10/2018	Heyden	D16/202
D697,957 S *	1/2014	Glasse	D16/134	D829,802 S *	10/2018	Park	D16/203
D709,118 S *	7/2014	Yu	D16/203	D830,858 S *	10/2018	Rogers	D10/41
D709,542 S *	7/2014	Bailey	D16/202	D831,089 S *	10/2018	Laffon de Mazieres	D16/202
D710,423 S *	8/2014	Teppan	D16/202	D832,329 S *	10/2018	Li	D16/203
D712,292 S *	9/2014	Yang	D10/106.1	D834,085 S *	11/2018	Lu	D16/203
D714,776 S *	10/2014	Kirzinger	D14/258	D834,631 S *	11/2018	Park	D16/203
D717,298 S *	11/2014	Sale	D14/371	D835,070 S *	12/2018	DePasquale	D14/216
D717,853 S *	11/2014	Noreng	D16/203	D835,071 S *	12/2018	Channey	D14/496
D719,146 S *	12/2014	Herbst	D14/253	D835,609 S *	12/2018	Kim	D14/216
D725,076 S *	3/2015	Wong	D14/216	D835,699 S *	12/2018	Tong	D16/218
D725,692 S *	3/2015	Celler	D16/219	D836,049 S *	12/2018	Ryu	D12/192
D727,998 S *	4/2015	Yuyama	D16/219	D839,337 S *	1/2019	Novak	D16/203
D728,660 S *	5/2015	Kim	D16/219	D840,462 S *	2/2019	Rosenberg	D16/218
D729,640 S *	5/2015	Ishizu	D10/46	D841,077 S *	2/2019	Kip	D16/242
D730,969 S *	6/2015	O'Neill	D16/219	D842,358 S *	3/2019	Puric	D16/203
D733,097 S *	6/2015	Grismer	D14/216	2005/0100329 A1 *	5/2005	Lao	G08B 13/19647
D739,452 S *	9/2015	Adams	D16/203				386/216
D741,730 S *	10/2015	Crees	D10/65	2005/0174434 A1 *	8/2005	Chang	H04N 5/232
D742,358 S *	11/2015	Alves	D14/216				348/211.1
D746,165 S *	12/2015	Li	D10/104.1	2011/0001932 A1 *	1/2011	Zuehlsdorff	G01C 21/3632
D746,166 S *	12/2015	Li	D10/104.1				353/14
D747,230 S *	1/2016	Shelley	D10/104.1	2012/0154441 A1 *	6/2012	Kim	G06K 9/00832
D748,709 S *	2/2016	Jeong	D16/202				345/633
D749,060 S *	2/2016	Hinokio	D14/216	2012/0242694 A1 *	9/2012	Hotta	G02B 27/01
D749,437 S *	2/2016	Crees	D10/65				345/633
D750,510 S *	3/2016	Lenz et al.	D10/65	2016/0028927 A1 *	1/2016	Kubotera	H04N 5/2252
D750,688 S *	3/2016	Oh	D16/134				348/374
D751,132 S *	3/2016	Sakai	D16/218	2017/0327044 A1 *	11/2017	Baur	G08G 1/167
D752,553 S *	3/2016	Lee	D14/216	2018/0299289 A1 *	10/2018	Hill	G08G 1/167
D752,998 S *	4/2016	Robinson	D10/65	2018/0375192 A1 *	12/2018	Yen	H01Q 1/243
D754,119 S *	4/2016	Kirzinger	D14/258	2019/0082150 A1 *	3/2019	Murata	B60R 1/00
D754,237 S *	4/2016	Oh	D16/219				
D756,441 S *	5/2016	Kobayashi	D16/134				
D756,813 S *	5/2016	Ueland	D10/65				
D756,816 S *	5/2016	Langton	D10/65				
D760,697 S *	7/2016	Zhao	D14/216				
D763,210 S *	8/2016	Park	D14/125				
D765,618 S *	9/2016	Alves	D14/216				
D771,142 S *	11/2016	Langhammer	D14/203.6				
D772,745 S *	11/2016	Henne	D10/70				
D772,746 S *	11/2016	Henne	D10/70				
D777,232 S *	1/2017	Lillquist et al.	D16/202				
D782,560 S *	3/2017	Li	D16/208				
D785,066 S *	4/2017	Liu et al.	D16/202				
D785,693 S *	5/2017	Kim	D16/202				
D785,695 S *	5/2017	Woodman	D16/219				
D789,811 S *	6/2017	Lenz	D10/65				
D791,852 S *	7/2017	Harding	D16/132				
D792,468 S *	7/2017	Langhammer	D14/203.3				
D793,463 S *	8/2017	Houin et al.	D16/202				
D793,994 S *	8/2017	Herbst	D14/217				
D795,947 S *	8/2017	Chong	D16/202				
D797,838 S *	9/2017	Gratzki	D16/219				
D802,460 S *	11/2017	Nguyen	D10/99				
D805,493 S *	12/2017	Chang	D14/496				
D806,072 S *	12/2017	Gummalla	D14/358				
D807,944 S *	1/2018	Worthington	D16/218				
D811,465 S *	2/2018	Nokuo	D16/218				
D814,546 S *	4/2018	Kuo	D16/218				
D819,109 S *	5/2018	Yamauchi	D16/204				
D819,113 S *	5/2018	Li	D16/218				
D819,713 S *	6/2018	Pickett	D16/202				
D820,123 S *	6/2018	Chou	D10/70				
D821,278 S *	6/2018	Unveren	D12/187				
D821,895 S *	7/2018	Jeong	D10/46				
D822,747 S *	7/2018	Van Deusen	D16/218				
D822,748 S *	7/2018	Van Deusen	D16/218				

OTHER PUBLICATIONS

Vehicle Navigation and Voice Assistant Devices. (Design—© Questel) orbit.com.[online PDF] 22 pgs. Print Dates range Jan. 26, 2018 to Jan. 29, 2019. [Retrieved on Mar. 11, 2019] <https://sobjprd.questel.fr/export/QPTUJ214/pdf2/583c5139-7995-4a6f-b69f-d3a909adae6e-153359.pdf>.*

Garmin Dash Cam™ 30/35 Owner's manual, published Oct. 2015. Printout from <https://buy.garmin.com/en-US/US/p/587334> published prior to Sep. 27, 2017.

Printout from <http://www.amazon.com/all-new-amazon-echo-speaker-with-wifi-alexa-dark-charcoal/dp/B06XCM9LJ4> published prior to Sep. 27, 2017.

Printout from <https://www.amazon.com/Amazon-Echo-Dot-Portable-Bluetooth-Speaker-with-Alexa-Black/dp/B01DFKC2SO> published prior to Sep. 27, 2017.

Printout from <https://www.geekbuying.com/item/Original-XIAOMI-Cylindrical-Metallic-Portable-Wireless-Bluetooth-4-0-Mini-Speaker-Black-338049.html> published prior to Sep. 27, 2017.

Printout from <https://www.geekbuying.com/item/Original-XIAOMI-Cylindrical-Metallic-Wireless-Bluetooth-Speaker-Youth-Edition-BT2-1-EDR--Silver-366736.html> published Prior to Sep. 27, 2017.

Printout from <https://dashcamtalk.com/cams/cr-500hd/FineVu%20CR-500HD%20User%20Manual.pdf> published prior to Sep. 27, 2017.

* cited by examiner

Primary Examiner — Marie D. Fast Horse

(74) *Attorney, Agent, or Firm* — Samuel M. Korte; Max M. Ali

(57) **CLAIM**

The ornamental design for a camera device with display, as shown and described.

DESCRIPTION

FIG. 1 is a front perspective view of a camera device with display according to the present invention;
FIG. 2 is a rear perspective view of the camera device with display;
FIG. 3 is a top view of the camera device with display;
FIG. 4 is a front view of the camera device with display;
FIG. 5 is a bottom view of the camera device with display;
FIG. 6 is a rear view of the camera device with display;
FIG. 7 is a left side view of the camera device with display;
and,
FIG. 8 is a right side view of the camera device with display.
The broken lines shown in the drawings depict portions of the camera device with display that form no part of the claimed design.

1 Claim, 3 Drawing Sheets

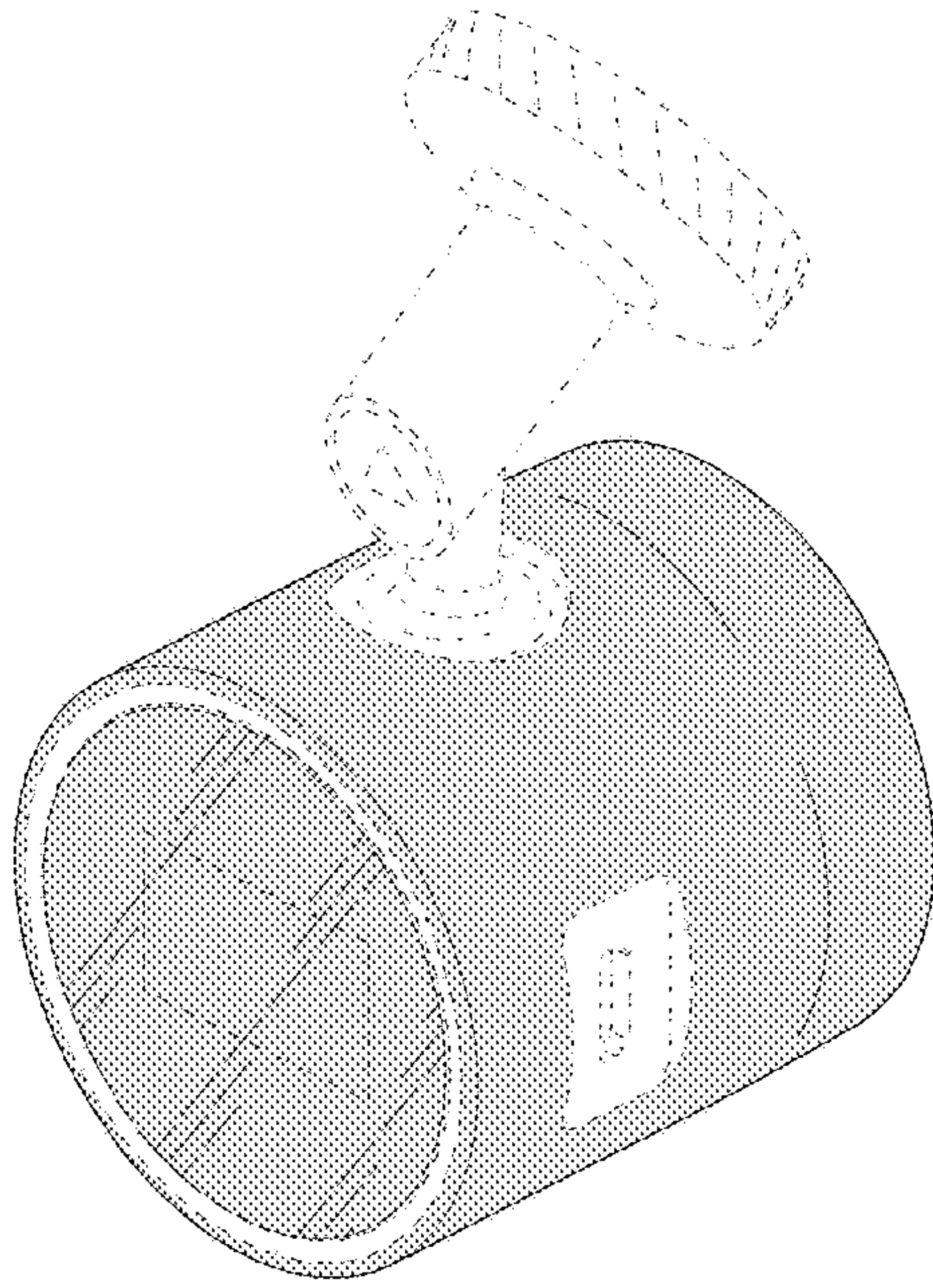


Fig. 1

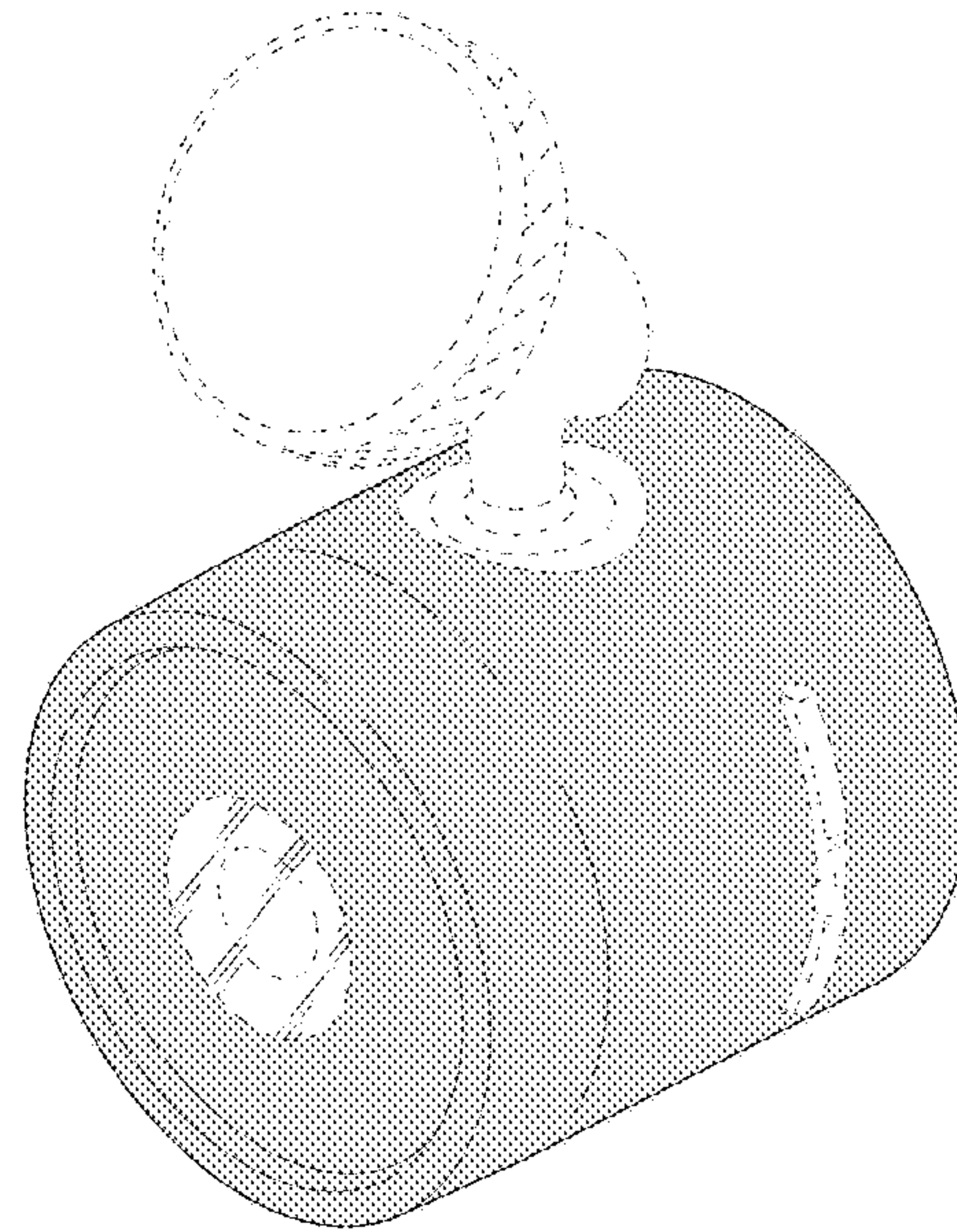


Fig. 2

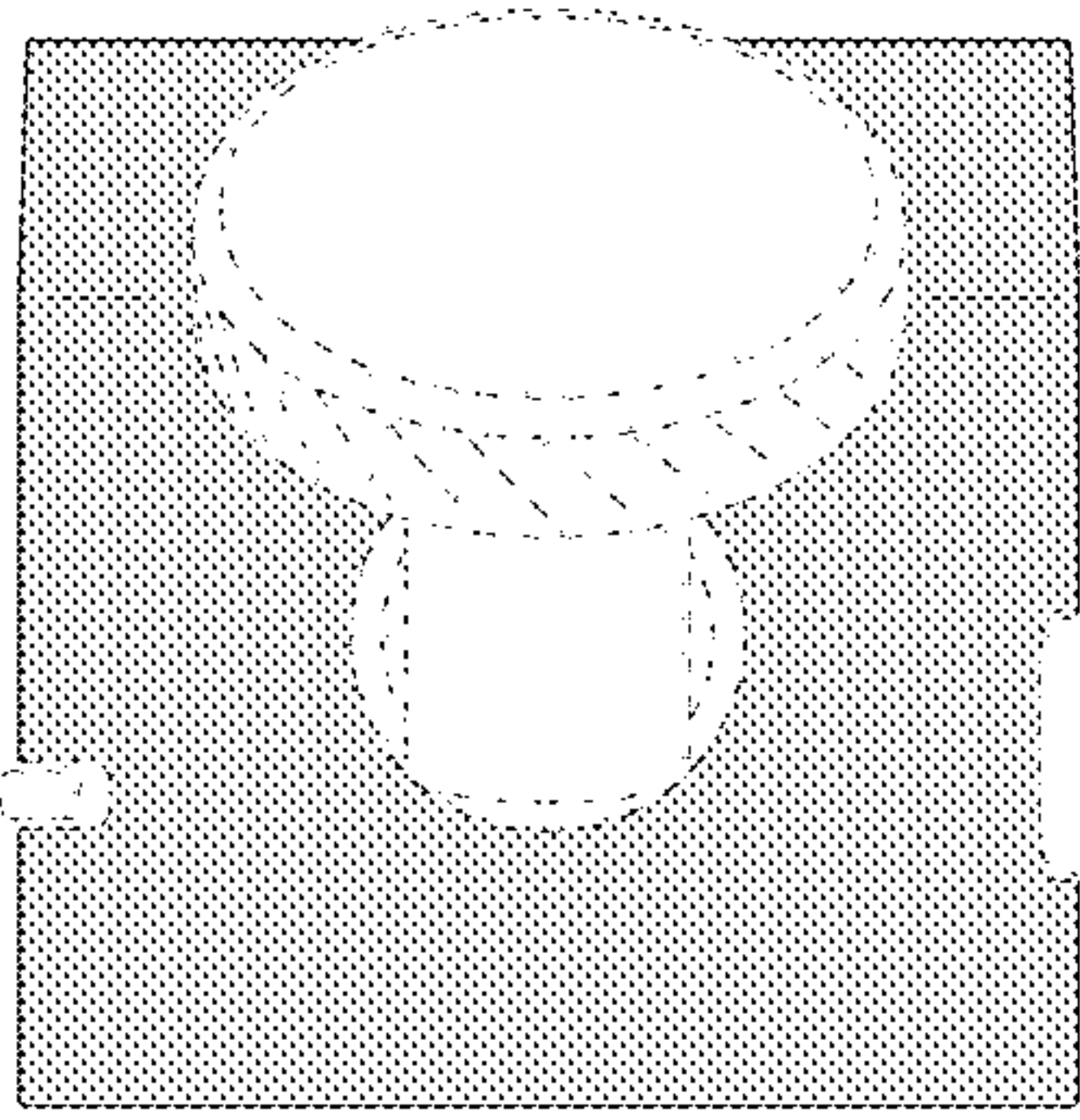


Fig. 3

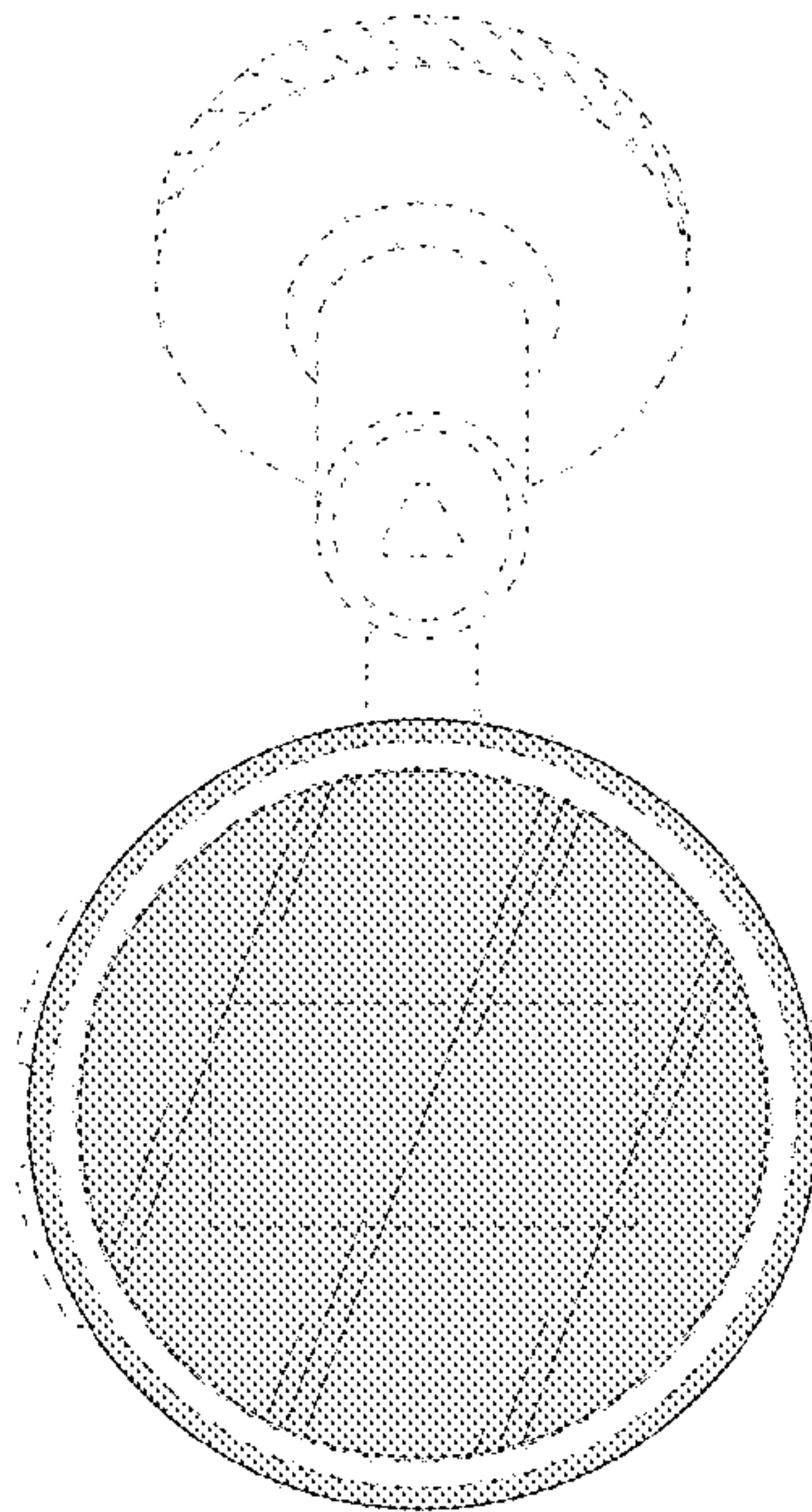


Fig. 4

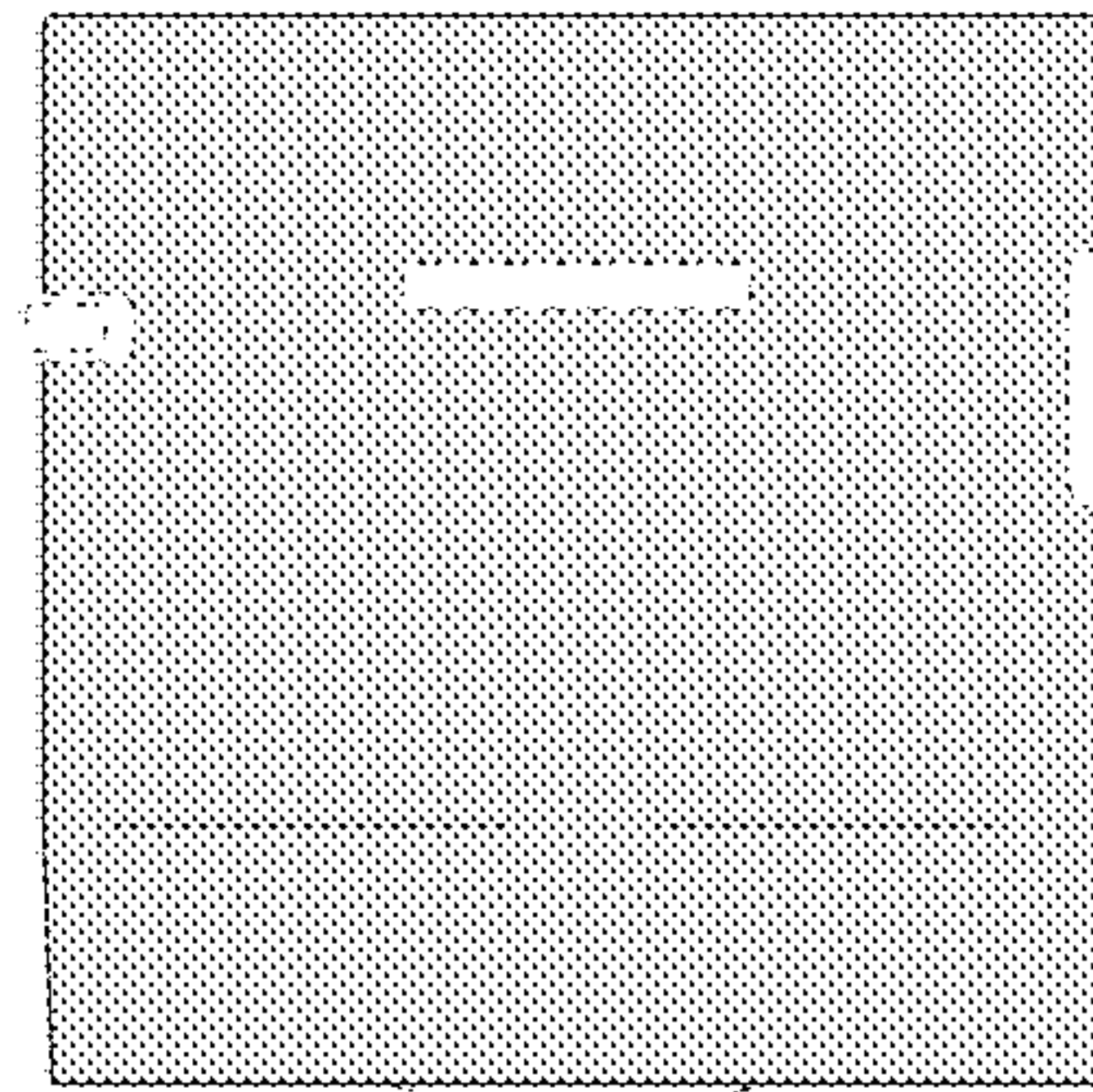


Fig. 5

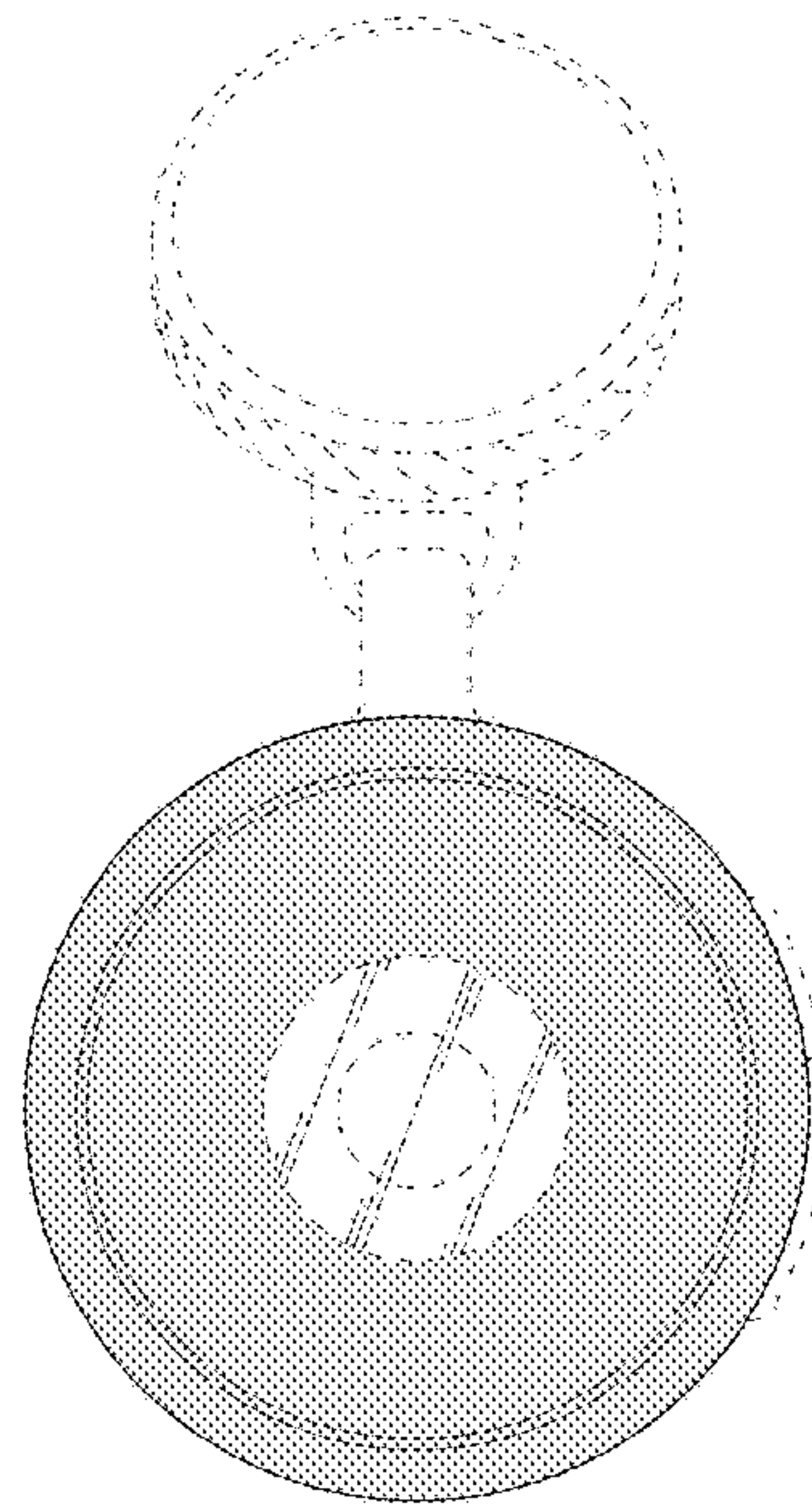


Fig. 6

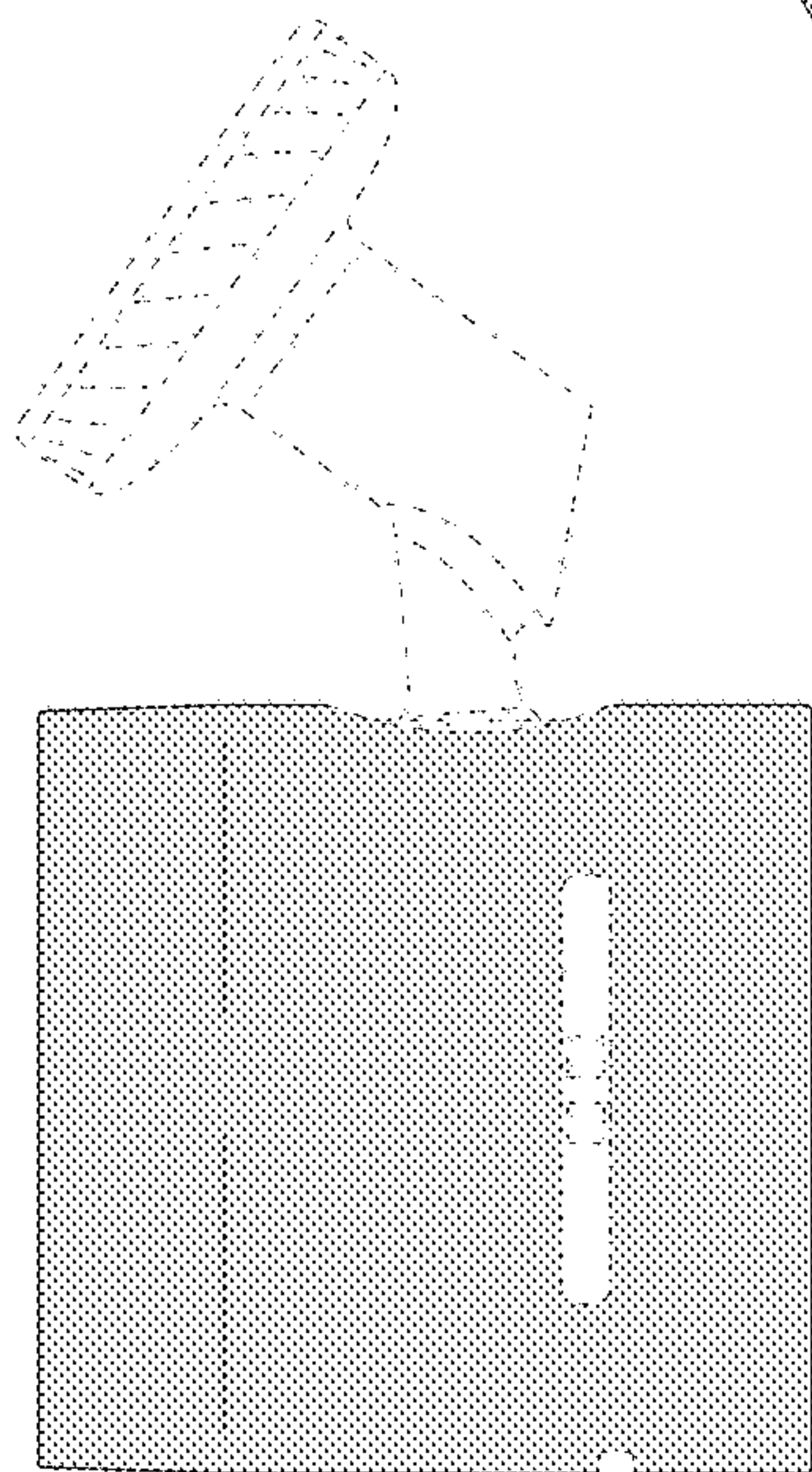


Fig. 7

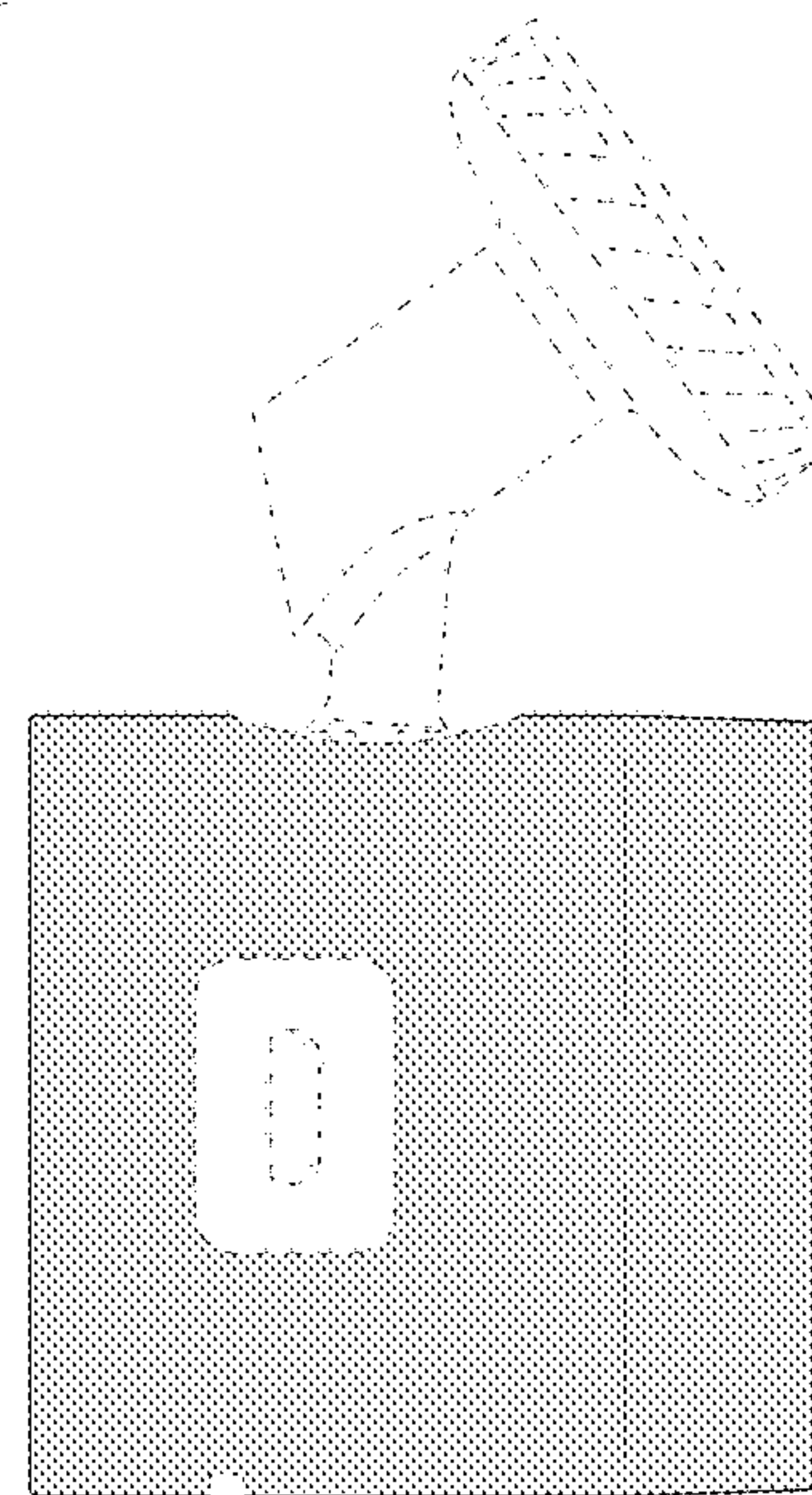


Fig. 8