



(12) **United States Design Patent** (10) **Patent No.:** **US D860,290 S**
Lee (45) **Date of Patent:** **** Sep. 17, 2019**

(54) **CAR VIDEO RECORDER**
 (71) Applicant: **THINKWARE CORPORATION**,
 Seongnam-si, Gyeonggi-do (KR)
 (72) Inventor: **Hyun Ju Lee**, Seongnam-si (KR)
 (73) Assignee: **THINKWARE CORPORATION**,
 Seongnam-si, Gyeonggi-do (KR)
 (**) Term: **15 Years**

D526,674 S * 8/2006 Byun D16/202
 D547,352 S * 7/2007 Tako D16/221
 D557,726 S * 12/2007 Sumii D16/225
 D561,222 S * 2/2008 Yoo D16/202
 D561,231 S * 2/2008 Chu D16/225
 D616,010 S * 5/2010 Song D16/225
 D628,221 S * 11/2010 Chen D16/202
 7,893,958 B1 * 2/2011 D'Agostino B60R 11/04
 348/148
 D648,362 S * 11/2011 Byun D16/204
 D672,382 S * 12/2012 Zeinoun D16/203
 D808,455 S * 1/2018 Lee D16/202

(21) Appl. No.: **29/608,610**

(22) Filed: **Jun. 23, 2017**

(30) **Foreign Application Priority Data**

May 24, 2017 (KR) 30-2017-0023511

(51) **LOC (12) Cl.** **16-01**

(52) **U.S. Cl.**
 USPC **D16/208; D16/202**

(58) **Field of Classification Search**
 USPC ... D12/114, 123, 124, 127, 188, 400, 426.1;
 D16/200–208, 211, 216–219, 221, 230,
 D16/237; 396/419, 427, 535, 539–541;
 348/143, 148, 373–376
 CPC .. G03B 17/08; G03B 17/568; G03B 2217/00;
 H04N 5/2252; H04N 5/225
 See application file for complete search history.

(56) **References Cited**

U.S. PATENT DOCUMENTS

D359,974 S * 7/1995 van de Loo D16/202
 D387,078 S * 12/1997 Akita D16/200

* cited by examiner

Primary Examiner — Ramzi S Almatrahi
 (74) *Attorney, Agent, or Firm* — Rabin & Berdo, P.C.

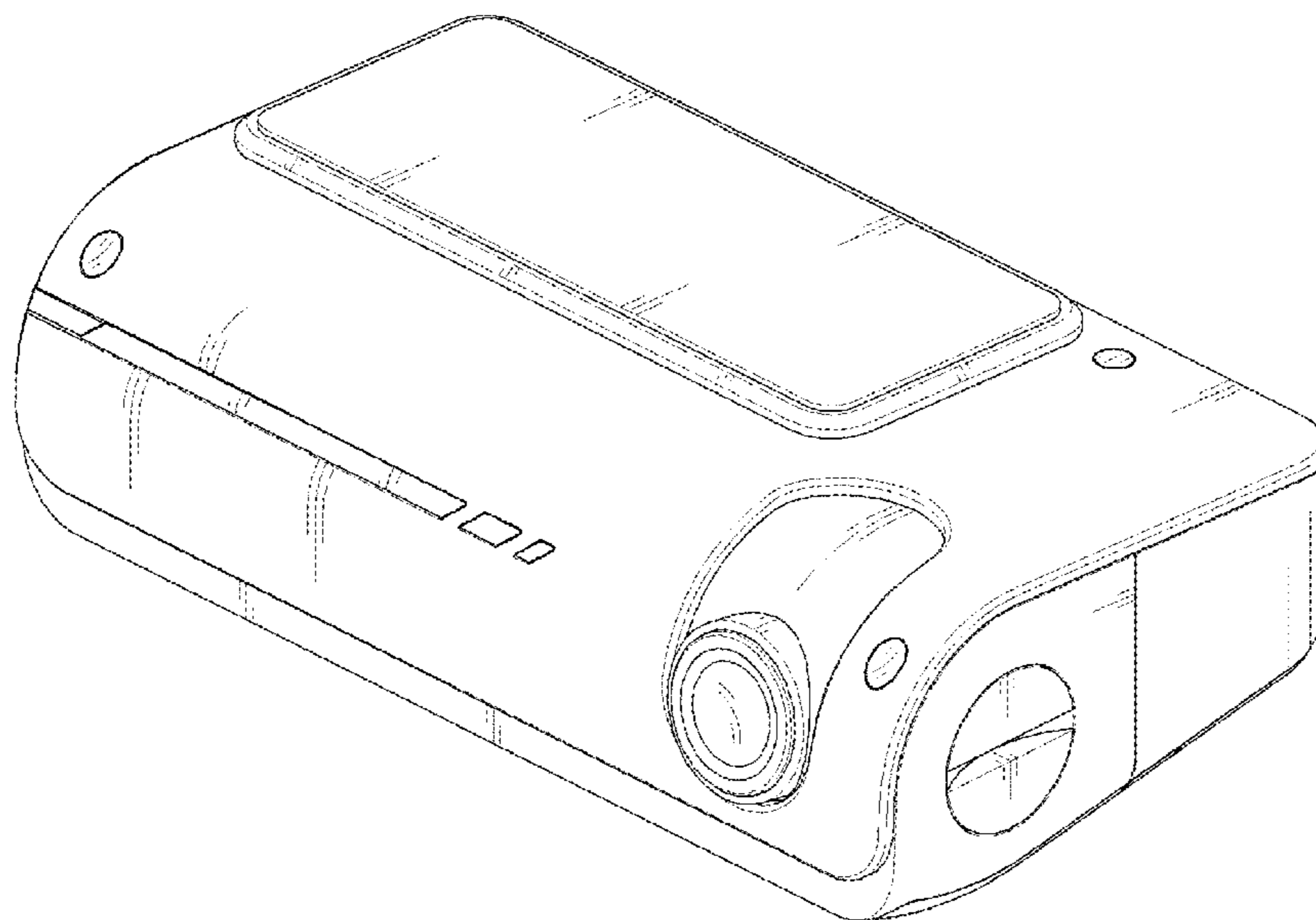
(57) **CLAIM**

The ornamental design for a car video recorder, as shown and described.

DESCRIPTION

FIG. 1 is a perspective view of a car video recorder showing my new design;
 FIG. 2 is a front elevational view thereof;
 FIG. 3 is a rear elevational view thereof;
 FIG. 4 is a left side elevational view thereof;
 FIG. 5 is a right side elevational view thereof;
 FIG. 6 is a top view thereof; and,
 FIG. 7 is a bottom view thereof.
 The broken lines in the drawings depict portions of the car video recorder in which the design is embodied that form no part of the claimed design.

1 Claim, 7 Drawing Sheets



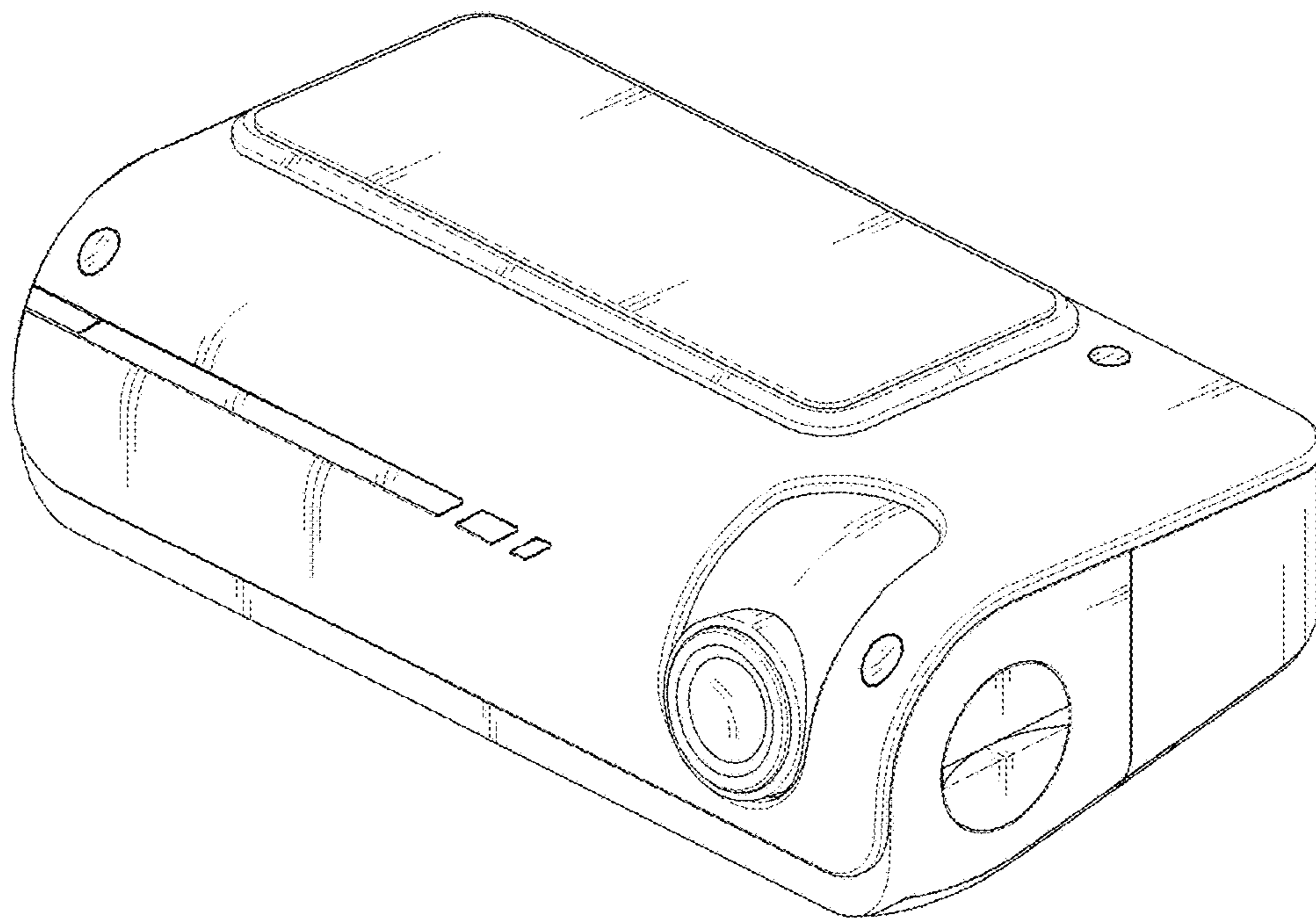


FIG. 1

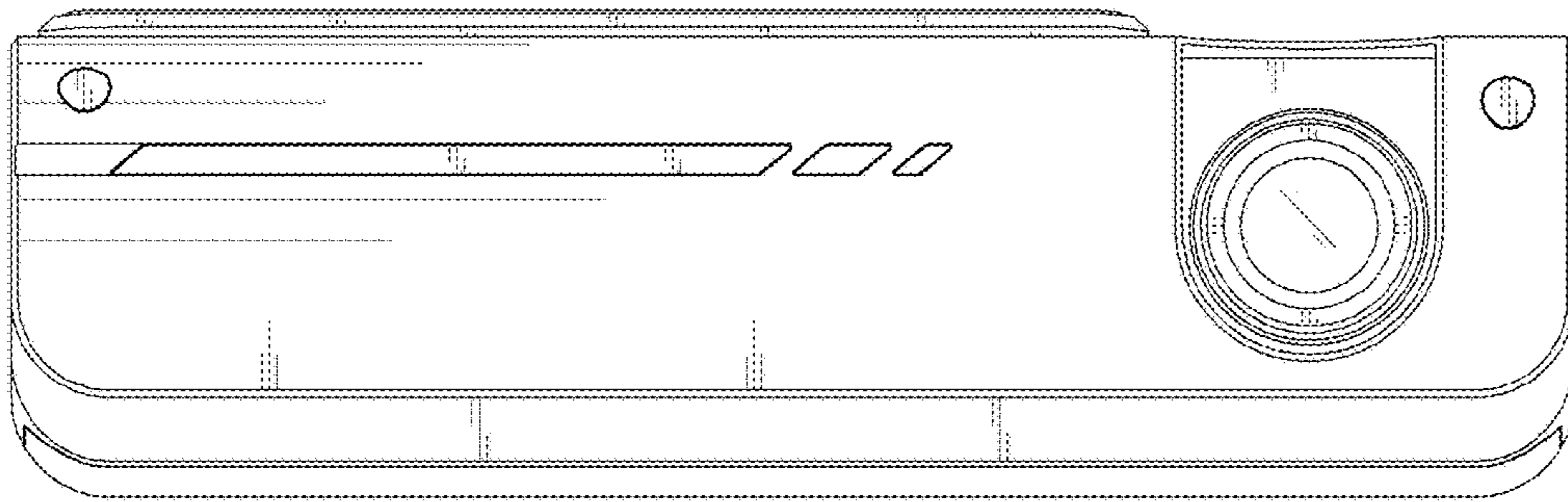


FIG. 2

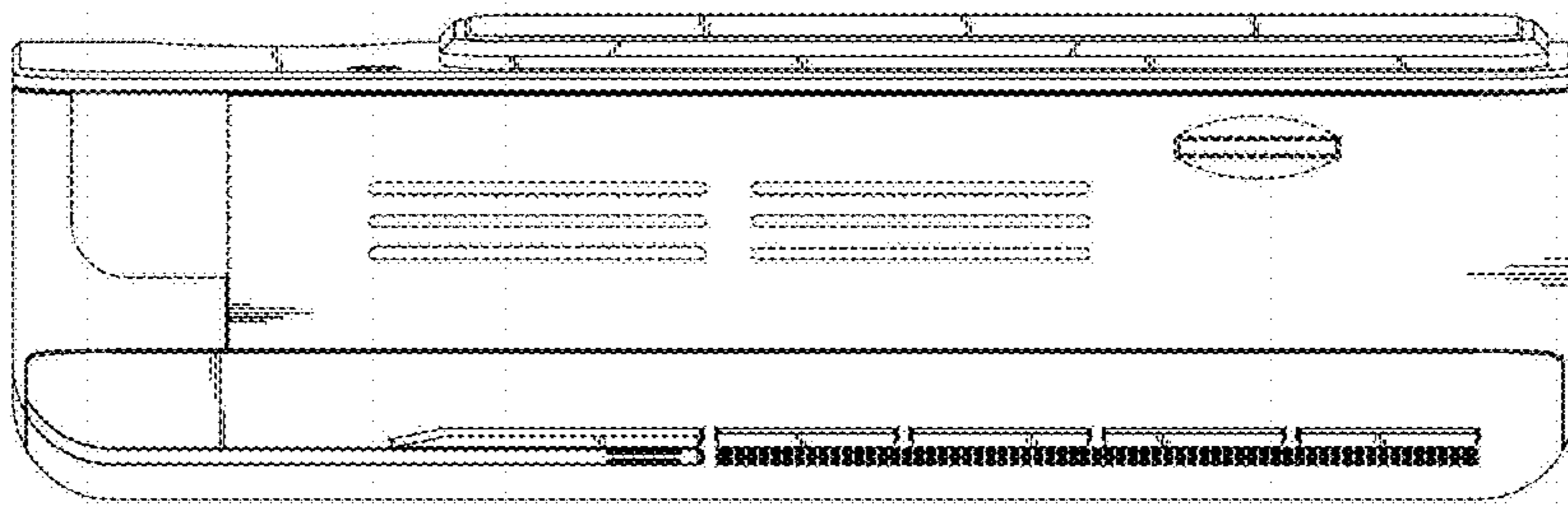


FIG. 3

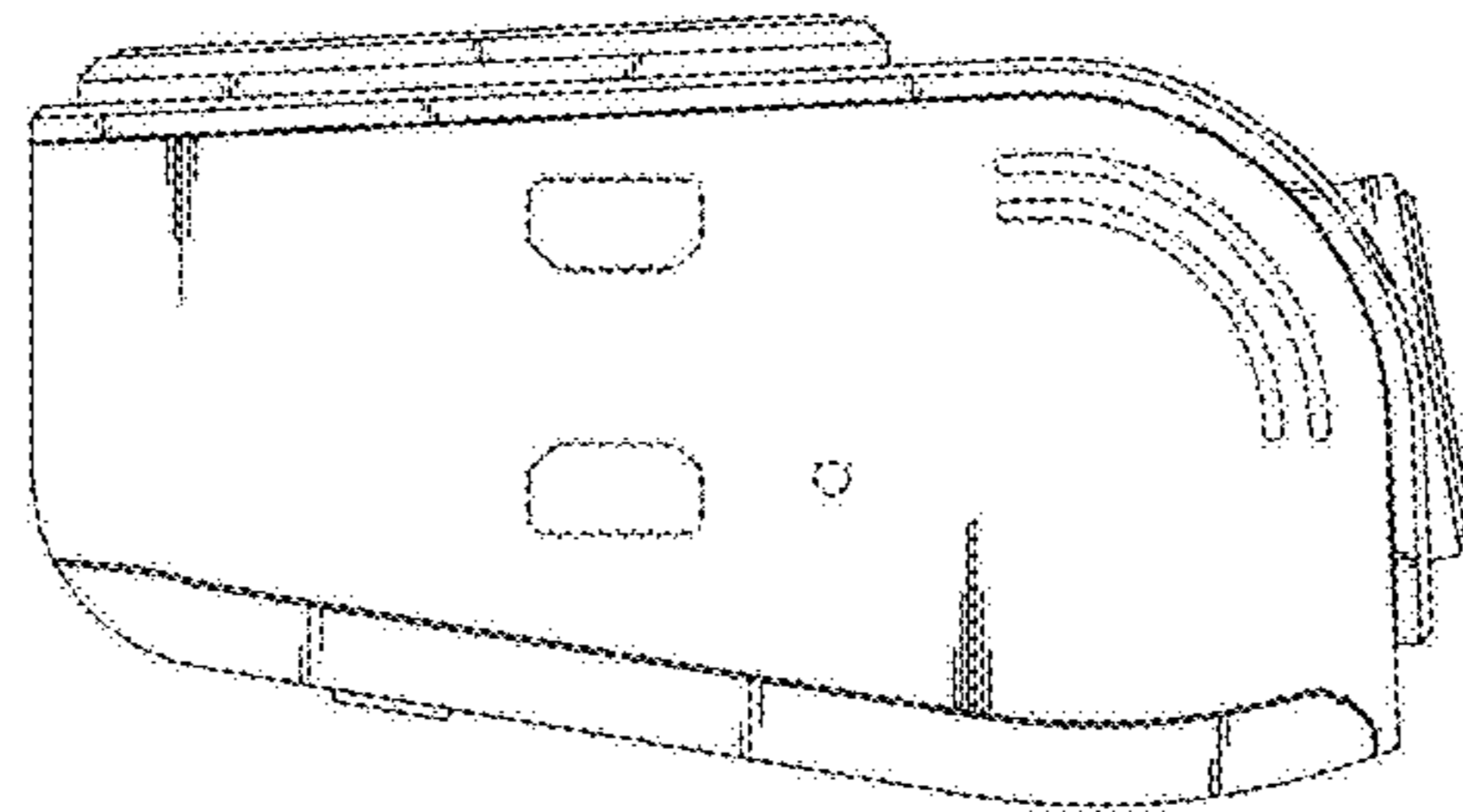


FIG. 4

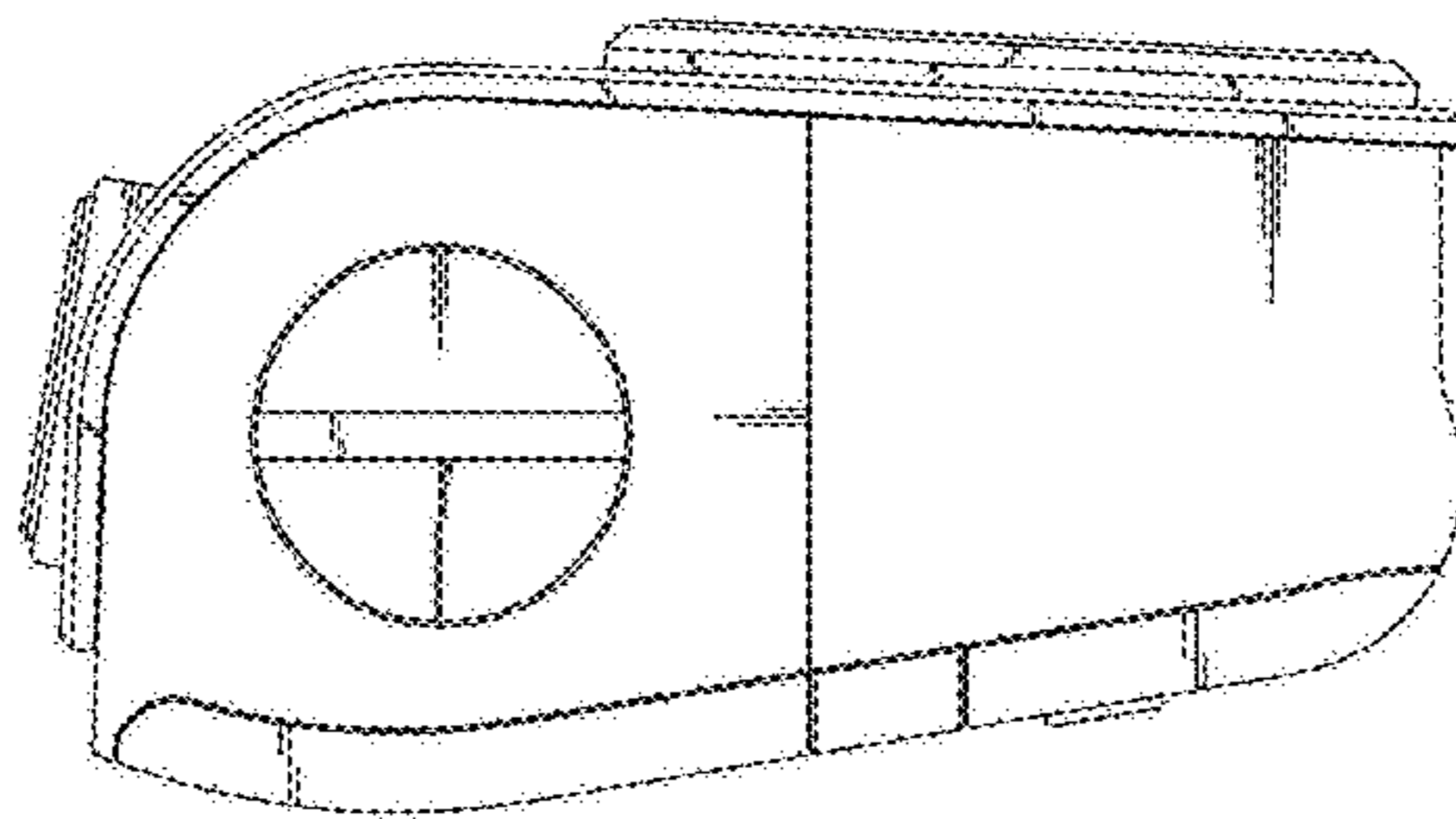


FIG. 5

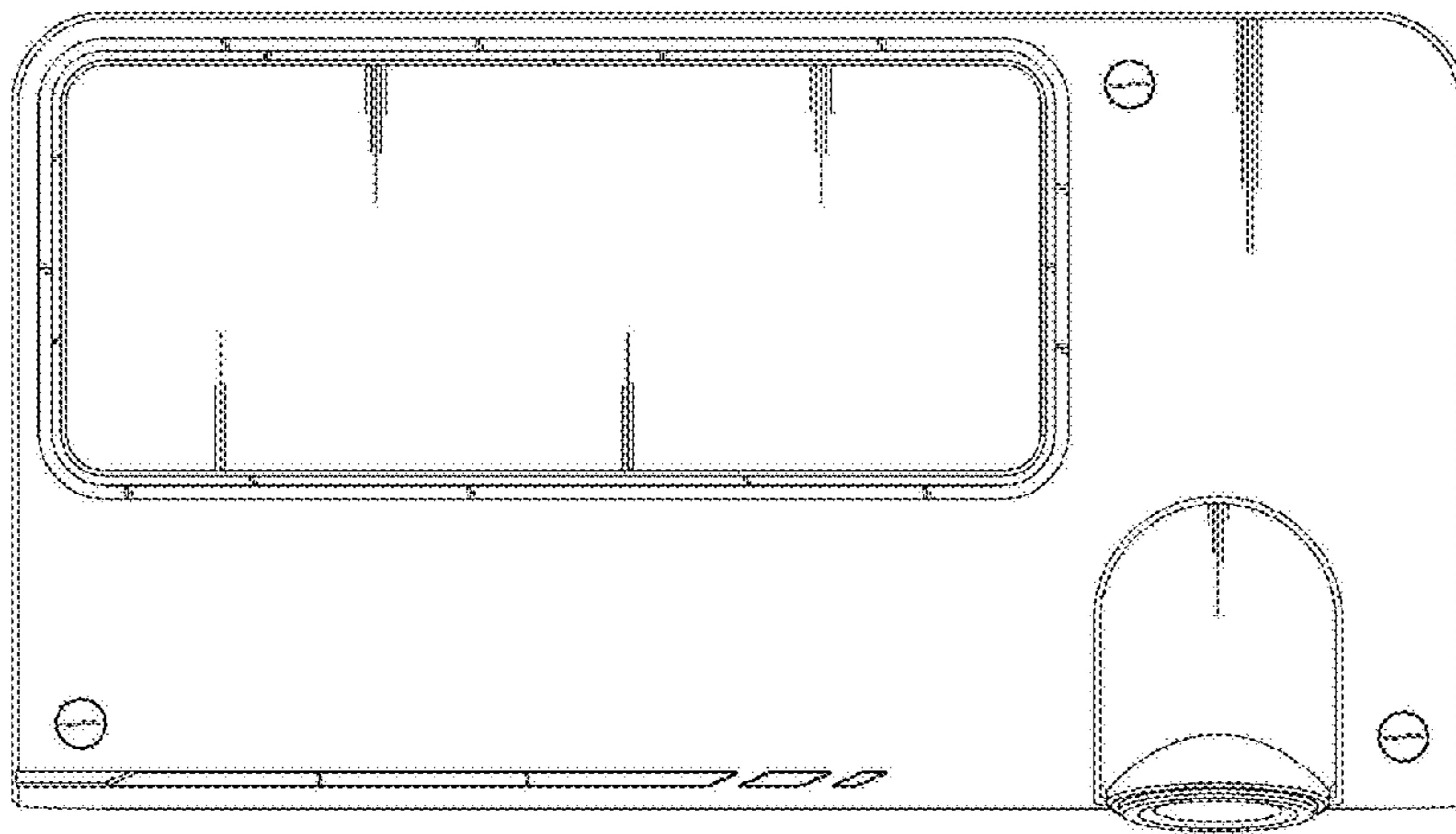


FIG. 6

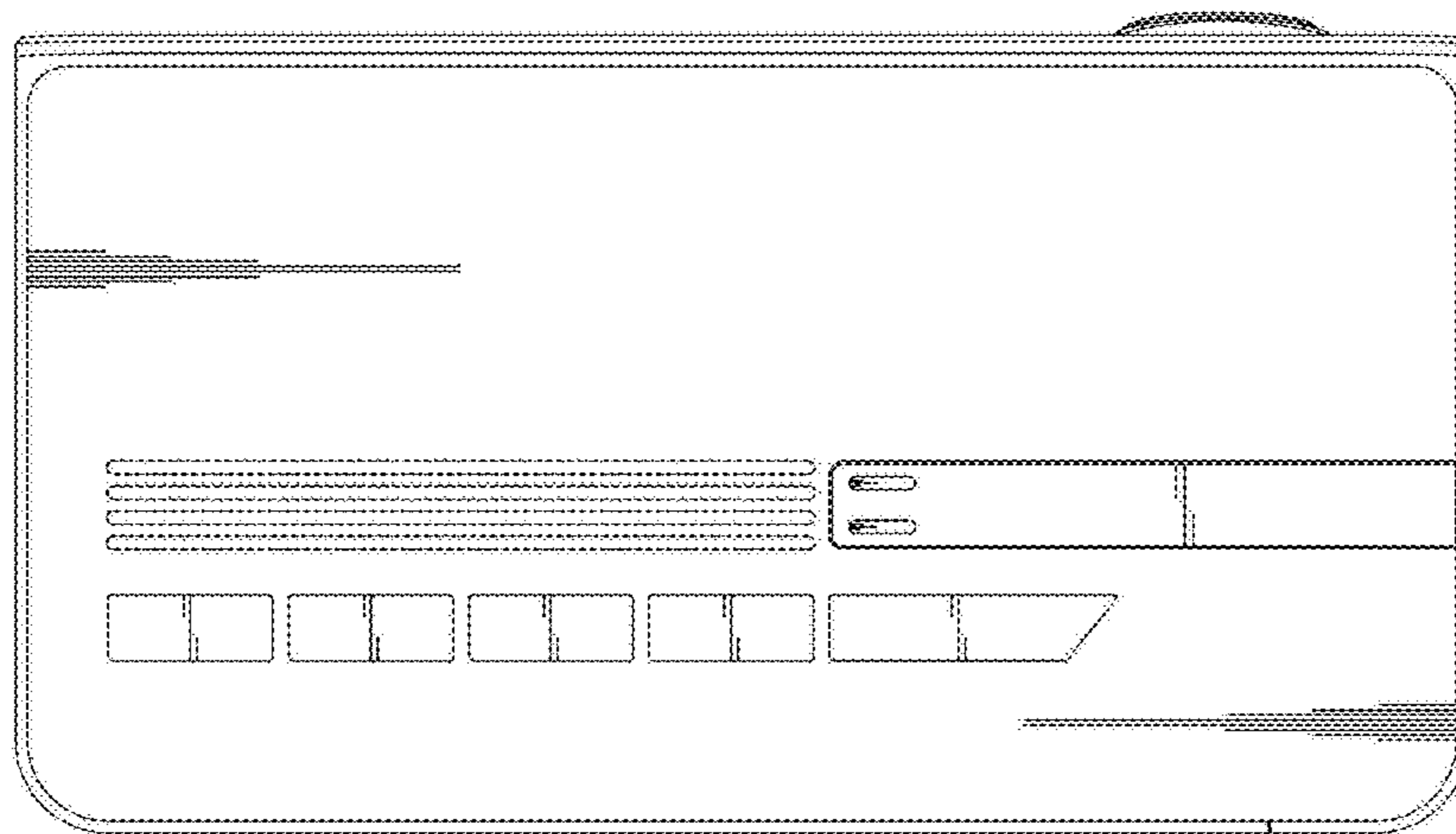


FIG. 7