

US00D860289S

(12) **United States Design Patent**  
**Chen**

(10) **Patent No.:** **US D860,289 S**

(45) **Date of Patent:** **\*\* Sep. 17, 2019**

(54) **HUNTING CAMERA**

(71) Applicant: **SHENZHEN GD DIGITAL LIMITED**, Shenzhen, Guangdong (CN)

(72) Inventor: **Zhujun Chen**, Guangdong (CN)

(73) Assignee: **SHENZHEN GD DIGITAL LIMITED**, Shenzhen, Guangdong (CN)

(\*\*) Term: **15 Years**

(21) Appl. No.: **29/638,798**

(22) Filed: **Mar. 1, 2018**

(51) **LOC (12) Cl.** ..... **16-01**

(52) **U.S. Cl.**  
USPC ..... **D16/203**

(58) **Field of Classification Search**  
USPC ..... D16/200–220, 131, 237, 242, 239, 250,  
D16/235, 130, 134, 136, 238;  
D14/138 C, 240, 248, 203.1, 203.3,  
D14/203.7; D10/104.1, 50, 65, 74, 70,  
D10/118.2  
CPC ... G02B 7/02; G02B 7/04; G02B 7/14; G02B  
3/14; G03B 17/00; G03B 17/02; G03B  
17/56; G03B 17/04; G03B 17/14; G03B  
15/03; G03B 9/08; H04N 5/2251; H04N  
5/2252; H04N 5/2253; H04N 5/2254;  
H04N 7/00; H04N 2101/00; F16M 13/00  
See application file for complete search history.

(56) **References Cited**

**U.S. PATENT DOCUMENTS**

D297,136 S \* 8/1988 Collins ..... D10/75  
D616,009 S \* 5/2010 Schnell ..... D16/218  
D622,749 S \* 8/2010 Lian ..... D16/203  
D628,224 S \* 11/2010 Barley ..... D16/203  
D628,614 S \* 12/2010 Barley ..... D16/203  
D630,236 S \* 1/2011 Lian ..... D16/203  
D638,047 S \* 5/2011 Lian ..... D16/203

D691,647 S \* 10/2013 Ye ..... D16/203  
D721,116 S \* 1/2015 Schnell ..... D16/218  
D748,401 S \* 2/2016 Baylar ..... D6/309  
D763,106 S \* 8/2016 Nuzzo ..... D10/65  
D778,746 S \* 2/2017 Renganathan ..... D10/70  
D820,338 S \* 6/2018 Wu ..... D16/203  
D828,432 S \* 9/2018 Luo ..... D16/237  
D833,506 S \* 11/2018 Chen ..... D16/218  
D838,306 S \* 1/2019 Yu ..... D16/218  
2007/0019941 A1 \* 1/2007 Cross ..... F16M 11/10  
396/263  
2008/0151055 A1 \* 6/2008 Elsemore ..... A01M 31/002  
348/155  
2010/0208068 A1 \* 8/2010 Elsemore ..... A01M 31/002  
348/143  
2018/0041736 A1 \* 2/2018 Gagnon ..... H02J 7/35

**FOREIGN PATENT DOCUMENTS**

CN 301320380 \* 8/2010  
CN 302736529 \* 2/2014

(Continued)

*Primary Examiner* — Barbara Fox

*Assistant Examiner* — Mary Claire Ramirez

(74) *Attorney, Agent, or Firm* — Li & Cai Intellectual  
Property Office

(57) **CLAIM**

The ornamental design for a hunting camera, as shown and  
described.

**DESCRIPTION**

FIG. 1 is a perspective view of a hunting camera showing  
my new design;

FIG. 2 is a front elevational view thereof;

FIG. 3 is a rear elevational view thereof;

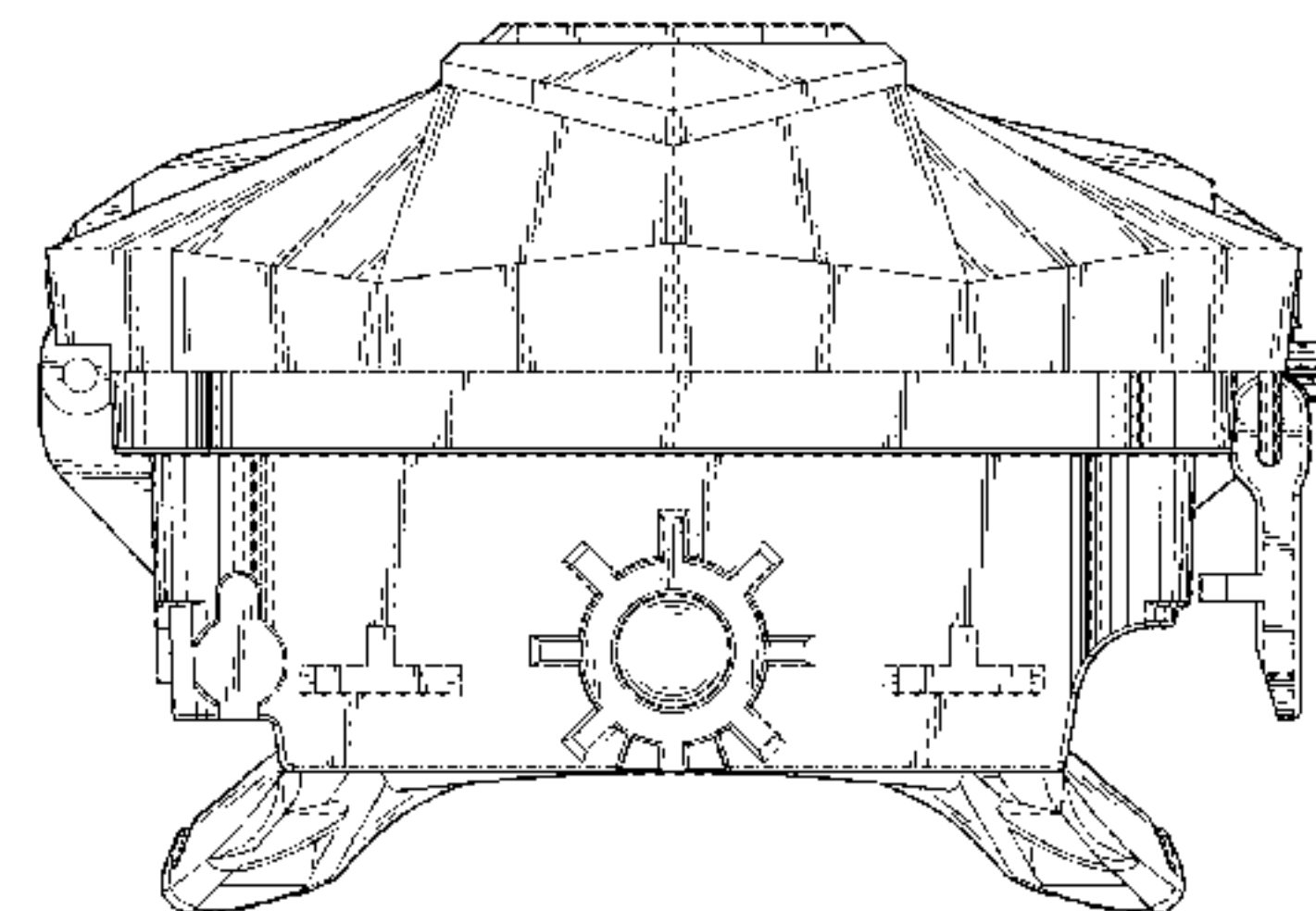
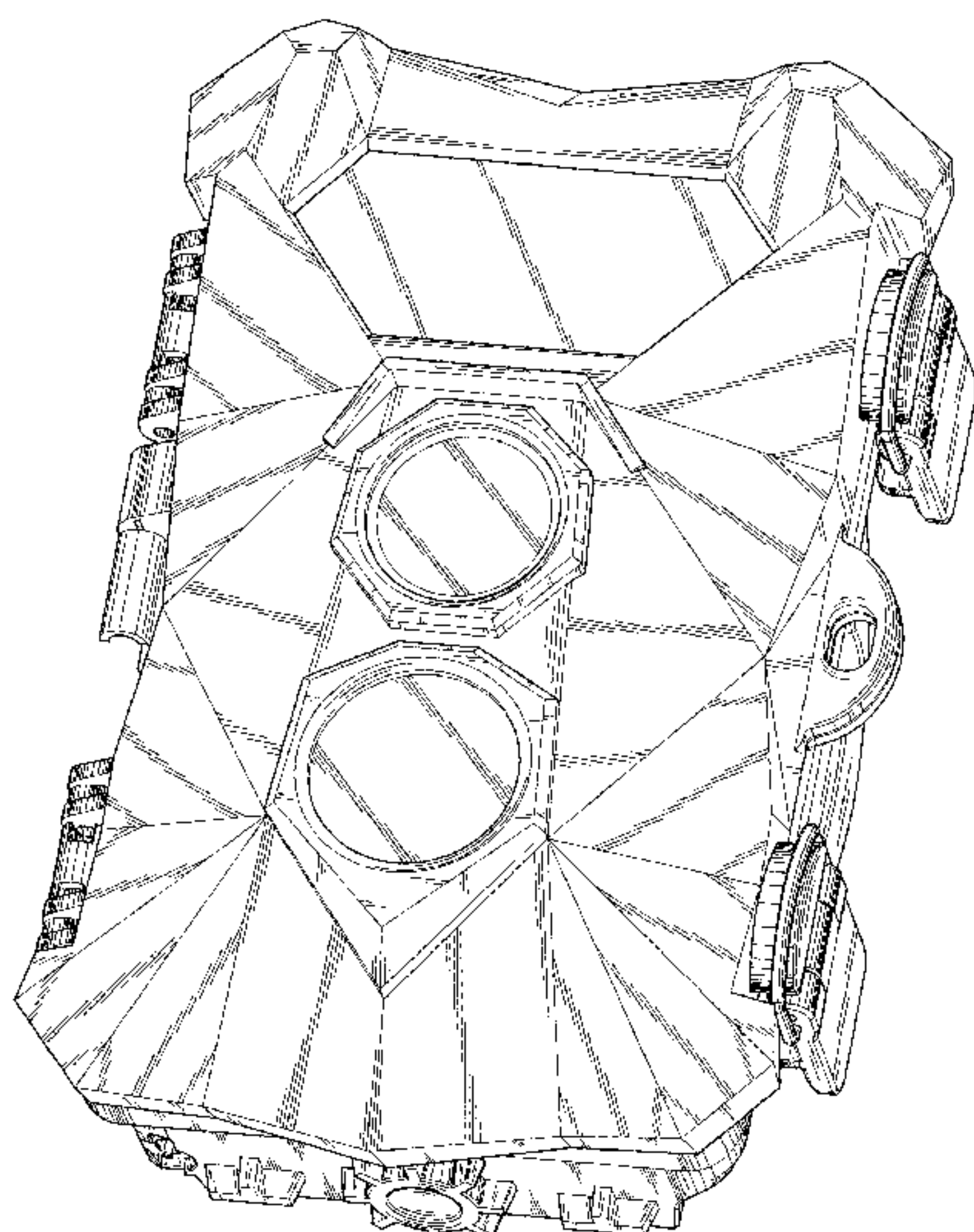
FIG. 4 is a left side elevational view thereof;

FIG. 5 is a right side elevational view thereof;

FIG. 6 is a top plan view thereof; and,

FIG. 7 is a bottom plan view thereof.

**1 Claim, 7 Drawing Sheets**



(56)

**References Cited**

FOREIGN PATENT DOCUMENTS

CN	304031368	*	2/2017
CN	304280352	*	9/2017
CN	304297461	*	9/2017
CN	304394321	*	12/2017
EM	003814532-0001	*	4/2017
EM	003861046-0002	*	5/2017

\* cited by examiner

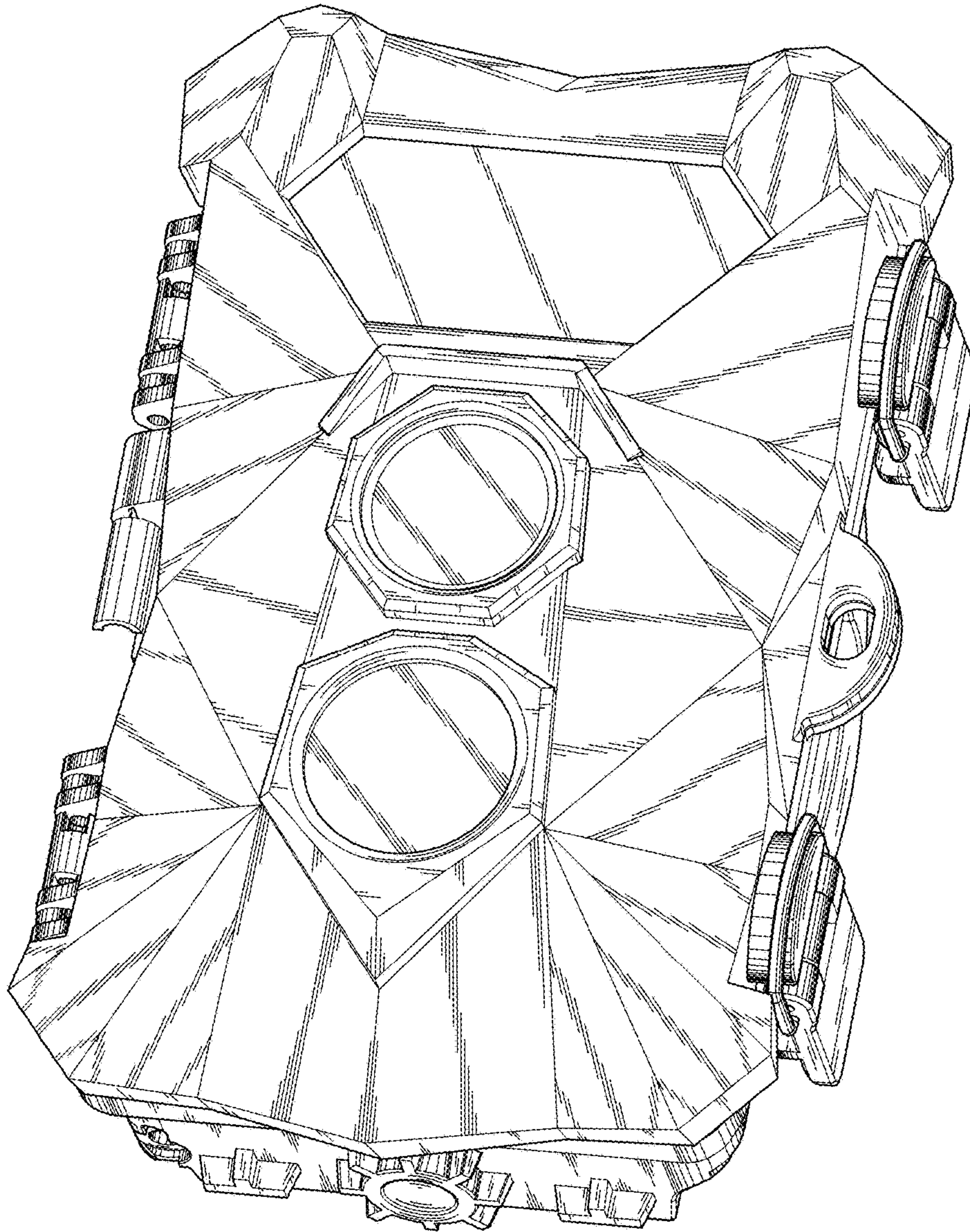


FIG. 1



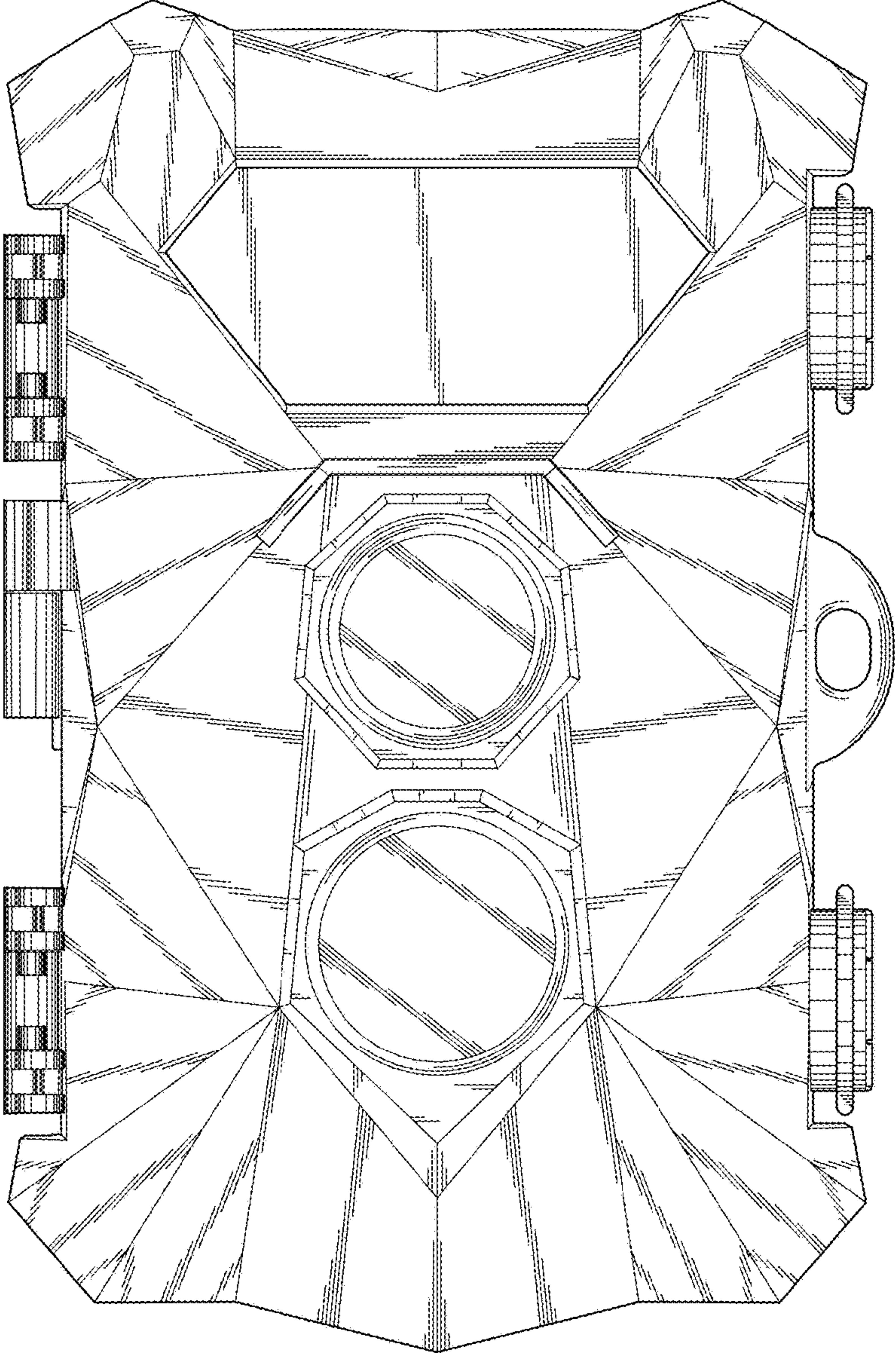


FIG. 2

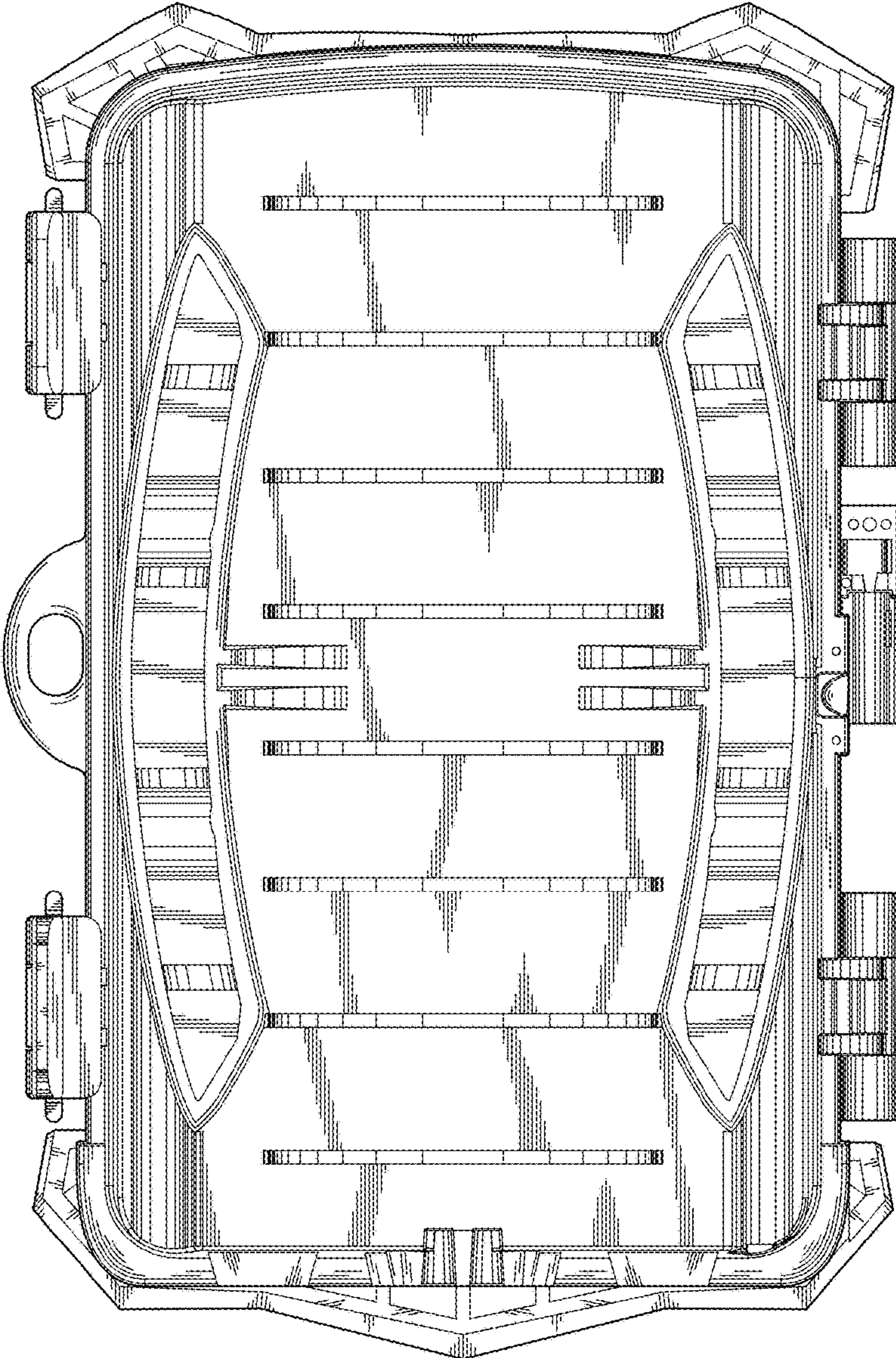


FIG. 3



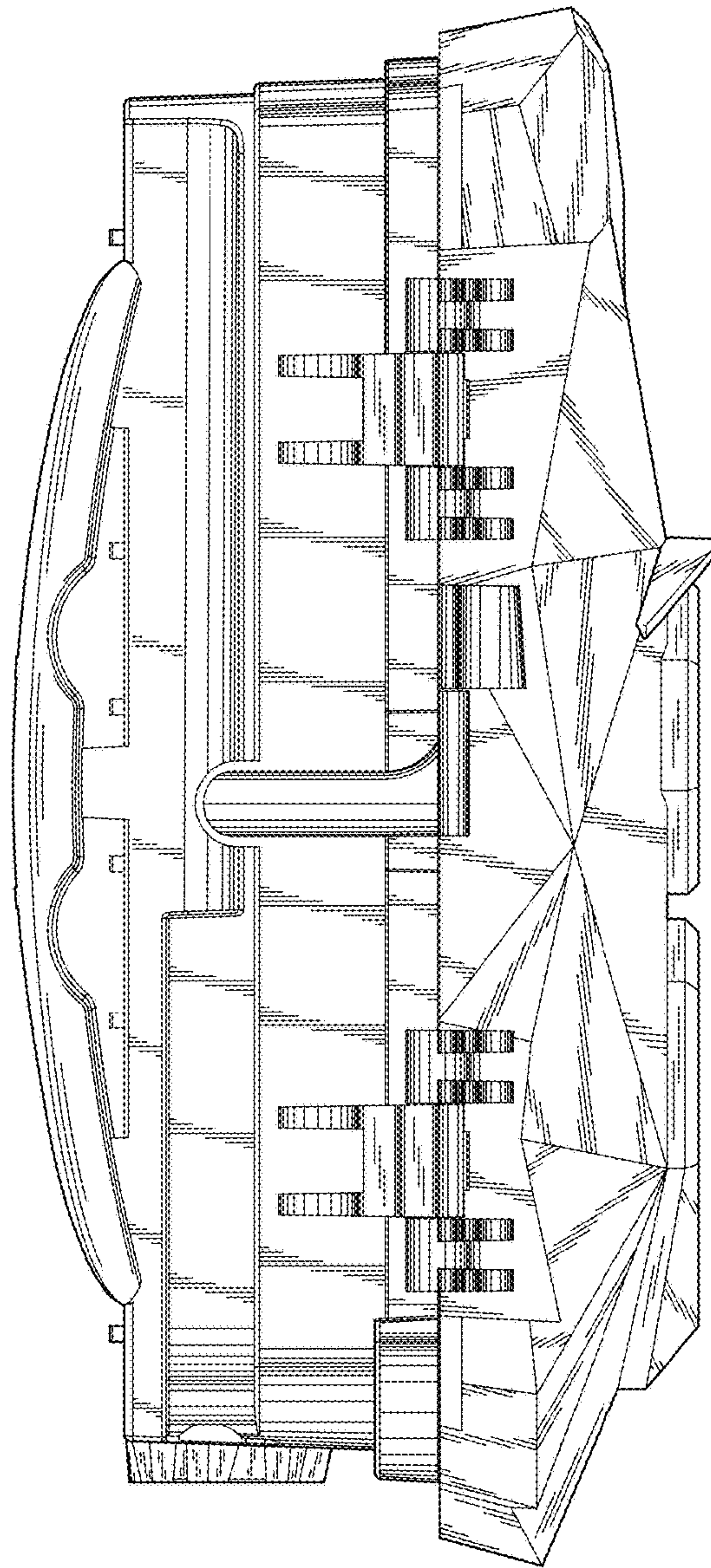


FIG. 4

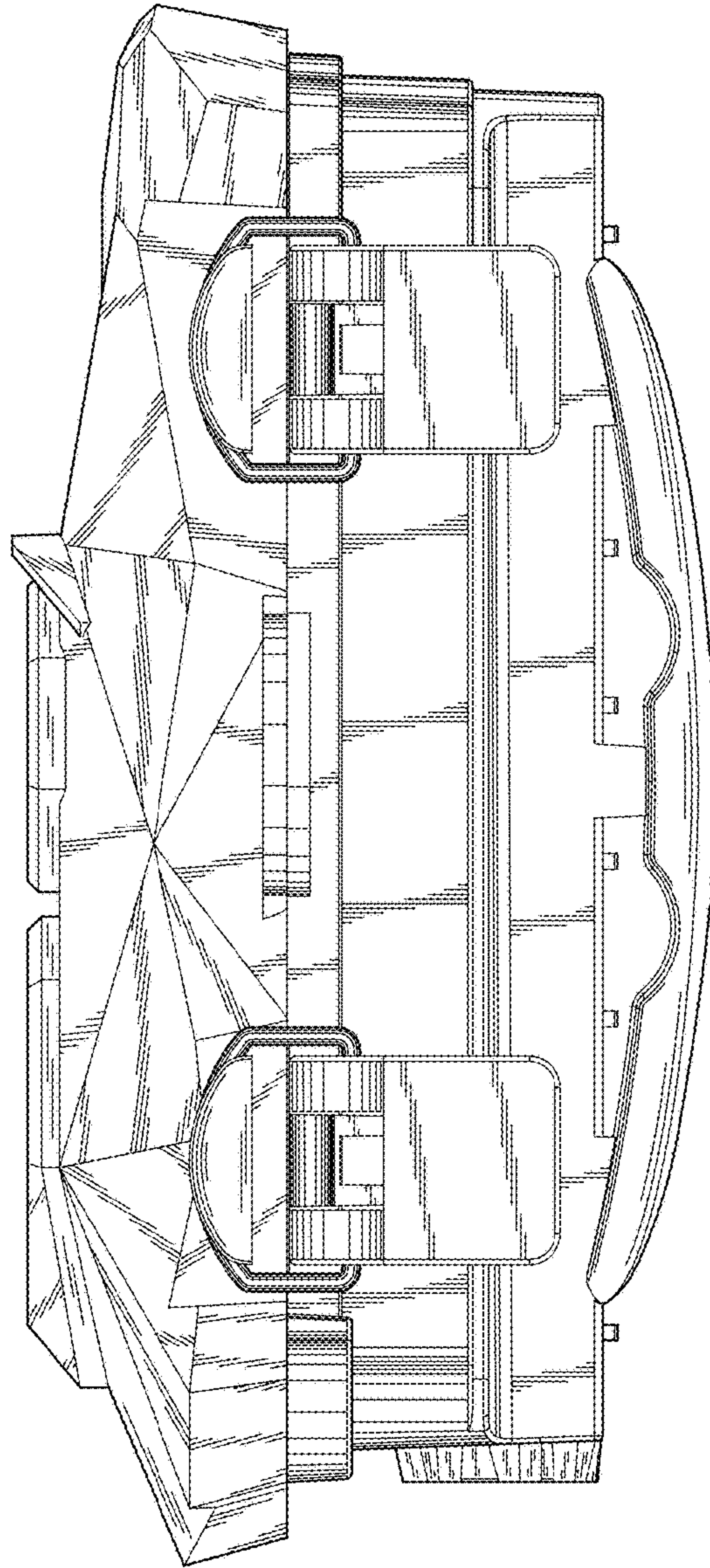


FIG. 5

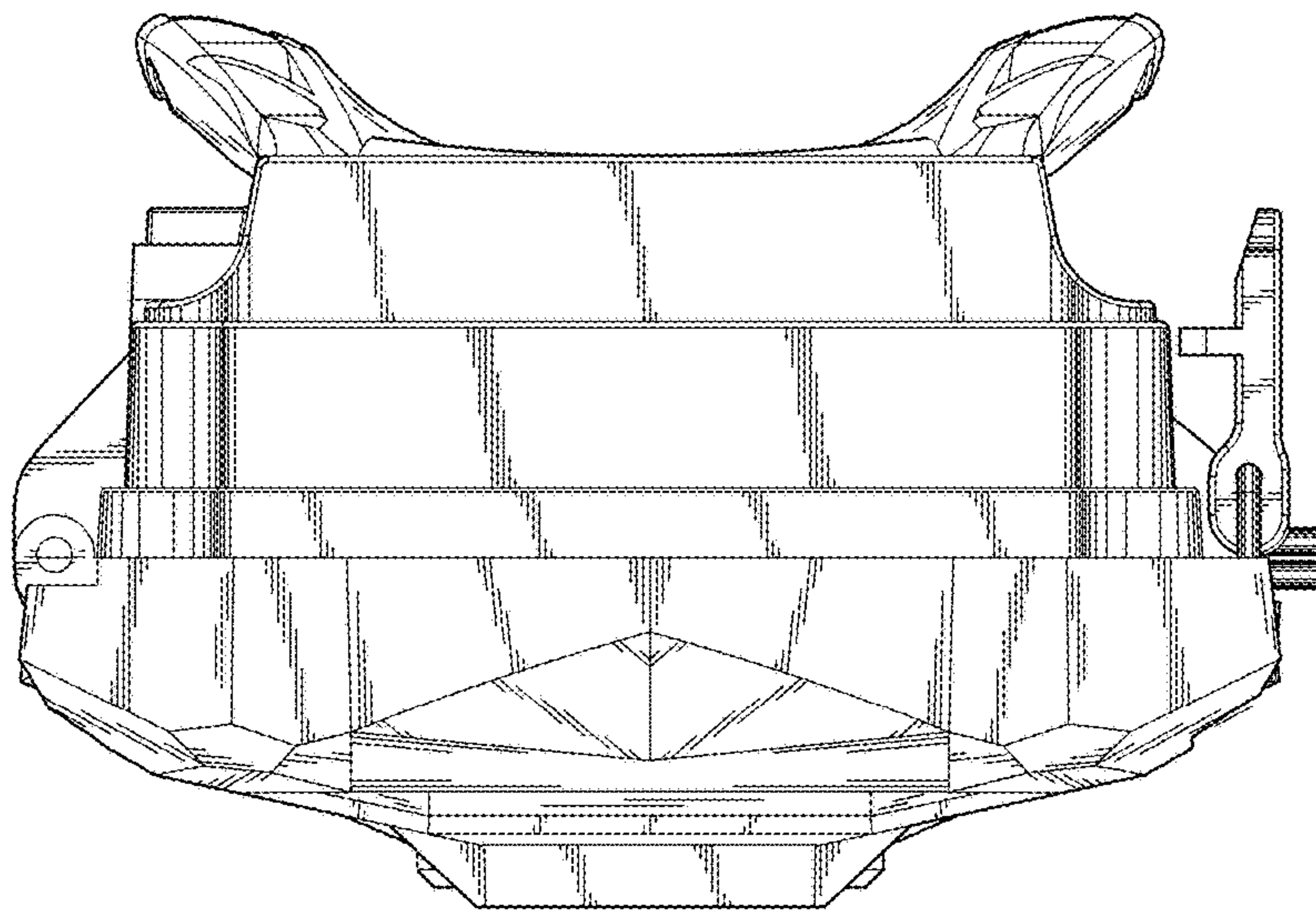


FIG. 6



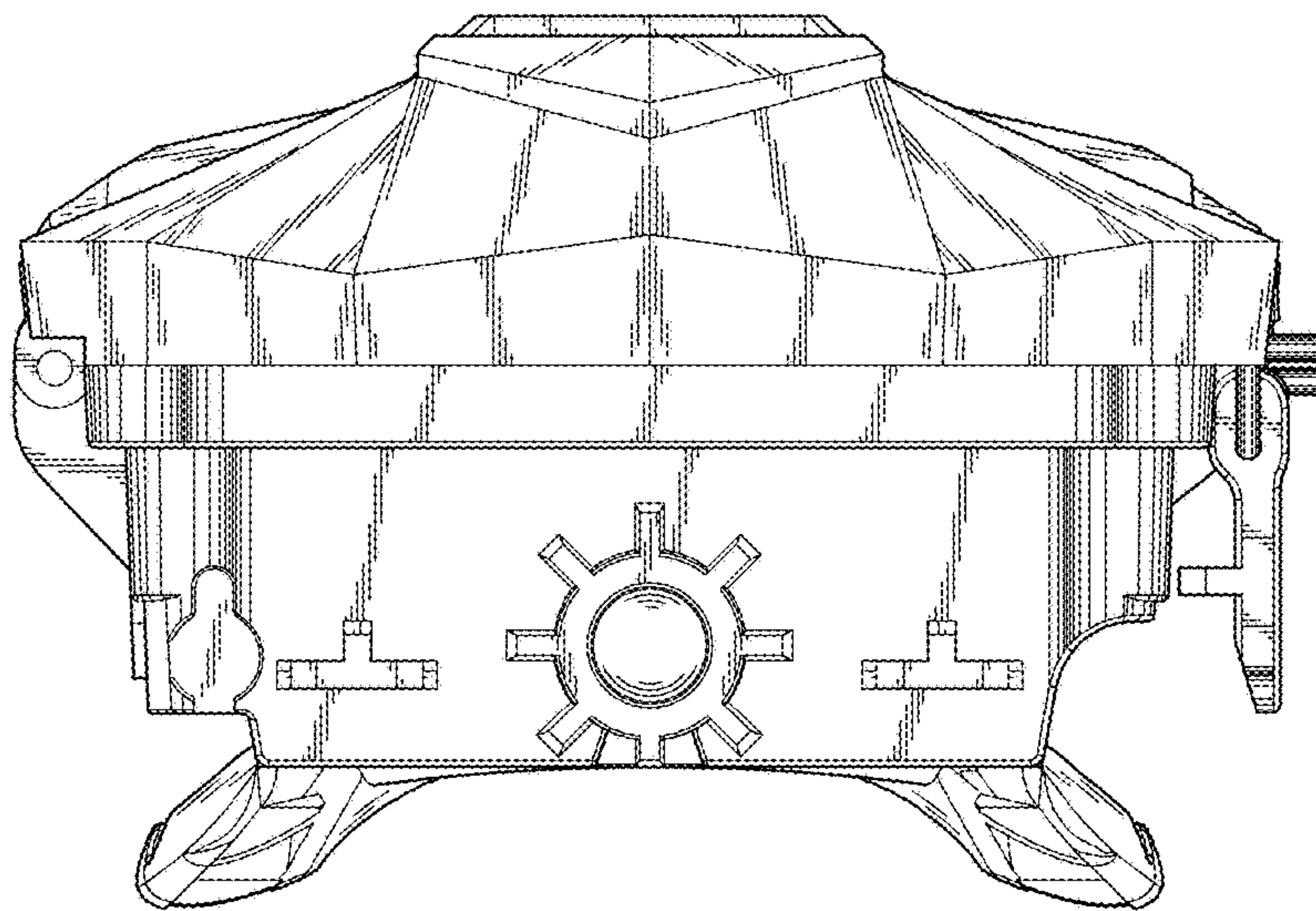


FIG. 7