

US00D860287S

(12) **United States Design Patent** (10) **Patent No.:** **US D860,287 S**
Ive et al. (45) **Date of Patent:** **** Sep. 17, 2019**

(54) **CAMERA**

(71) Applicants: **Jonathan P. Ive**, Cupertino, CA (US);
Marc A. Newson, London (GB)

(72) Inventors: **Jonathan P. Ive**, San Francisco, CA
(US); **Marc A. Newson**, London (GB)

(**) Term: **15 Years**

(21) Appl. No.: **29/664,331**

(22) Filed: **Sep. 24, 2018**

Related U.S. Application Data

(63) Continuation of application No. 29/533,637, filed on Jul. 20, 2015, now Pat. No. Des. 829,258, which is a continuation of application No. 29/469,267, filed on Oct. 8, 2013, now Pat. No. Des. 734,800.

(51) **LOC (12) Cl.** **16-01**

(52) **U.S. Cl.**
USPC **D16/202**

(58) **Field of Classification Search**
USPC D16/200, 202–206, 208–209, 218, 219,
D16/242; 348/373–376; 396/535,
396/539–541

CPC G03B 15/03; G03B 17/02; G03B 17/04;
G03B 17/56; G03B 19/04; H04N 5/2251;
H04N 5/2252; H04N 5/2253; H04N
5/2254; H04N 2101/00

See application file for complete search history.

(56) **References Cited**

U.S. PATENT DOCUMENTS

D359,299 S 6/1995 Moro et al.
D383,146 S 9/1997 Hashimoto et al.
D383,147 S 9/1997 Moro et al.
5,950,028 A 9/1999 Ito
D463,471 S * 9/2002 Tanaka D16/209
D469,456 S 1/2003 Nakamura et al.
D473,576 S 4/2003 Watanabe

D479,547 S 9/2003 Nagayama
D524,344 S * 7/2006 Imai D16/202
D525,639 S 7/2006 Nakamura
D532,028 S * 11/2006 Sakai D16/202
D537,093 S 2/2007 Nakamura
D537,460 S 2/2007 Nakamura et al.
D547,343 S * 7/2007 Sato D16/202
D550,736 S 9/2007 Sakai
D555,688 S 11/2007 Yoo et al.
D556,802 S 12/2007 Katayama
D559,292 S 1/2008 Imai
D560,236 S 1/2008 Yoshida

(Continued)

OTHER PUBLICATIONS

Leica Camera AG, “Leica M Monochrom,” accessed at http://us.leica-camera.com/photography/m_system/m_monochrom/, accessed on Apr. 10, 2014, 2 pages.

(Continued)

Primary Examiner — Ramzi S Almatrahi
(74) *Attorney, Agent, or Firm* — Sterne, Kessler,
Goldstein & Fox P.L.L.C.

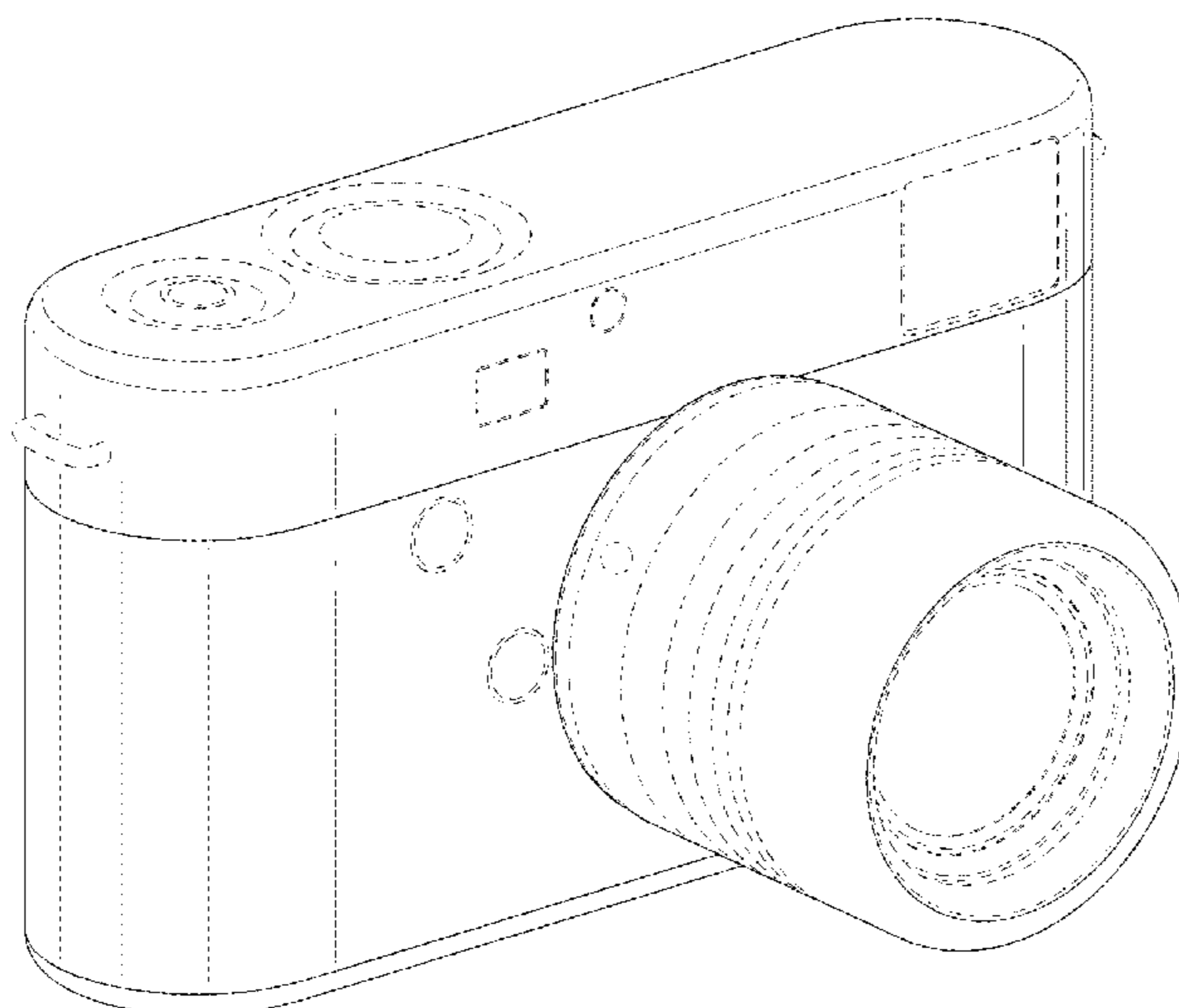
(57) **CLAIM**

The ornamental design for a camera, as shown and described.

DESCRIPTION

FIG. 1 is a top front perspective view of a camera showing the claimed design;
FIG. 2 is a front view thereof;
FIG. 3 is a rear view thereof;
FIG. 4 is a left side view thereof;
FIG. 5 is a right side view thereof;
FIG. 6 is a top view thereof; and,
FIG. 7 is a bottom view thereof.
The broken lines in the figures show portions of the camera that form no part of the claimed design.

1 Claim, 7 Drawing Sheets



(56)

References Cited

OTHER PUBLICATIONS

U.S. PATENT DOCUMENTS

D560,237 S 1/2008 Yoshida
 D561,218 S 2/2008 Kim
 D576,650 S 9/2008 Shibata et al.
 D582,954 S * 12/2008 Imai D16/202
 7,524,118 B2 4/2009 Maeda
 D596,217 S 7/2009 Kim et al.
 D597,576 S 8/2009 Kim et al.
 D597,578 S 8/2009 Kim et al.
 D603,886 S 11/2009 Sakai
 D613,324 S * 4/2010 Sato D16/202
 D692,044 S 10/2013 Uemachi et al.
 D695,328 S * 12/2013 Sul D16/202
 D697,959 S 1/2014 Imai
 D698,848 S 2/2014 Uemachi et al.
 D702,748 S 4/2014 Muraki et al.
 D721,751 S 1/2015 Fujita
 D726,238 S 4/2015 Izumi et al.
 D727,386 S * 4/2015 Kobayashi D16/202
 D729,297 S 5/2015 Ikegame
 D732,595 S 6/2015 Ive et al.
 D734,800 S 7/2015 Ive et al.
 D742,951 S * 11/2015 Yanagisawa D16/202
 D745,075 S 12/2015 Ive et al.
 D755,874 S * 5/2016 Yang D16/202
 D755,877 S 5/2016 Uemachi et al.
 D777,232 S * 1/2017 Lillquist D16/202
 D793,463 S * 8/2017 Houin D16/202
 2007/0212062 A1 9/2007 Saiki et al.
 2011/0181771 A1 * 7/2011 Hazama G03B 15/05
 348/371

Leica Camera AG, "Leica M," accessed at http://us.leica-camera.com/photography/m_system/m_new/, accessed on Apr. 10, 2014, 3 pages.
 Leica Camera AG, "Leica M7," accessed at http://us.leica-camera.com/photography/m_system/m7/, accessed on Apr. 10, 2014, 2 pages.
 Leica Camera AG, "The Leica M9 and M9-P," accessed at http://us.leica-camera.com/photography/m_system/m9/, accessed on Apr. 10, 2014, 2 pages.
 Leica Camera AG, "Leica M9-P 'Edition Hermes,'" accessed at http://us.leica-camera.com/photography/special_editions/m9_edition_hermes/, accessed on Apr. 10, 2014, 2 pages.
 Leica Camera AG, "Leica M-E," accessed at http://us.leica-camera.com/photography/m_system/m-e/, accessed on Apr. 10, 2014, 2 pages.
 Leica Camera AG, "Leica MP," accessed at http://us.leica-camera.com/photography/m_system/mp/, accessed on Apr. 10, 2014, 1 page.
 Leica Camera AG, "X a la carte," accessed at http://us.leica-camera.com/photography/compact_cameras_x_a_la_carte/, accessed on Apr. 10, 2014, 2 pages.
 Leica Camera AG, "Leica X2 Edition Paul Smith," accessed at http://us.leica-camera.com/compact_cameras_x2-edition_paul_smith/, accessed on Apr. 10, 2014, 2 pages.
 Leica Camera AG, "Leica X2," accessed at http://us.leica-camera.com/photography/compact_cameras/x2/, accessed on Apr. 10, 2014, 2 pages.
 Crisp, Simon, "Leica reveals the Leica M and the stripped back M-E," accessed at <http://www.gizmag.com/leica-m-and-m-e/24247/>, dated Sep. 23, 2012, 6 pages.

* cited by examiner

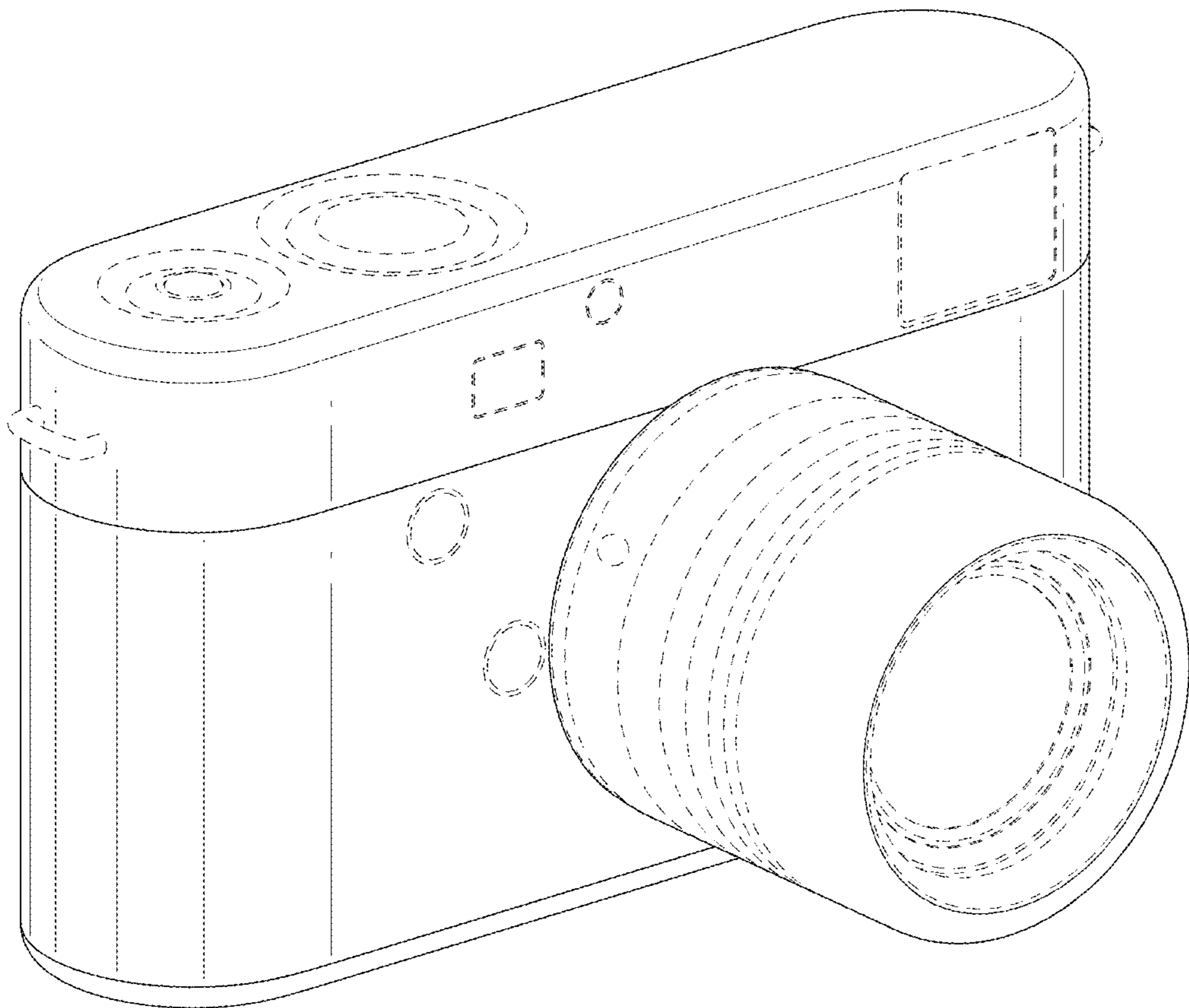


FIG. 1

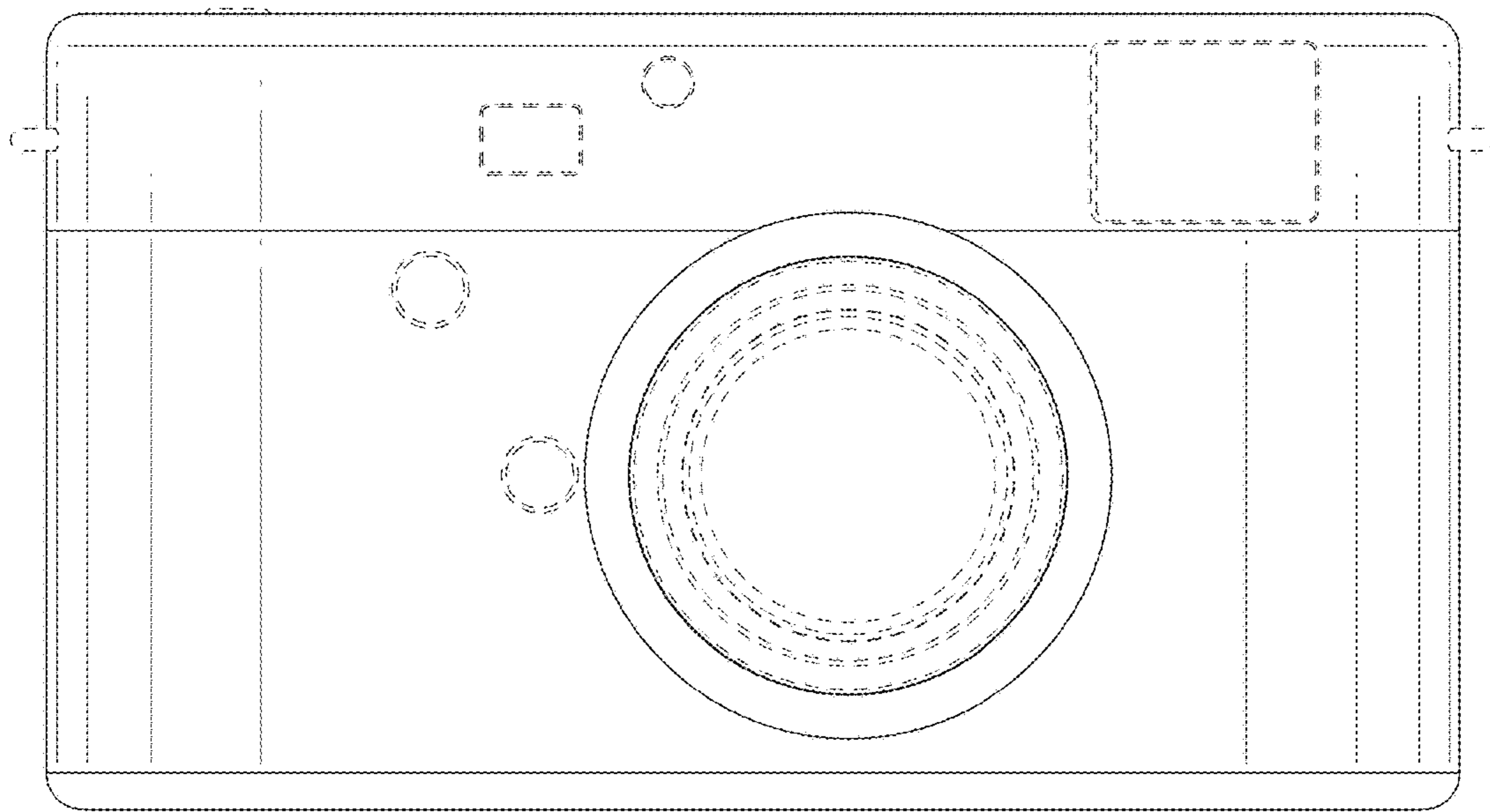


FIG. 2

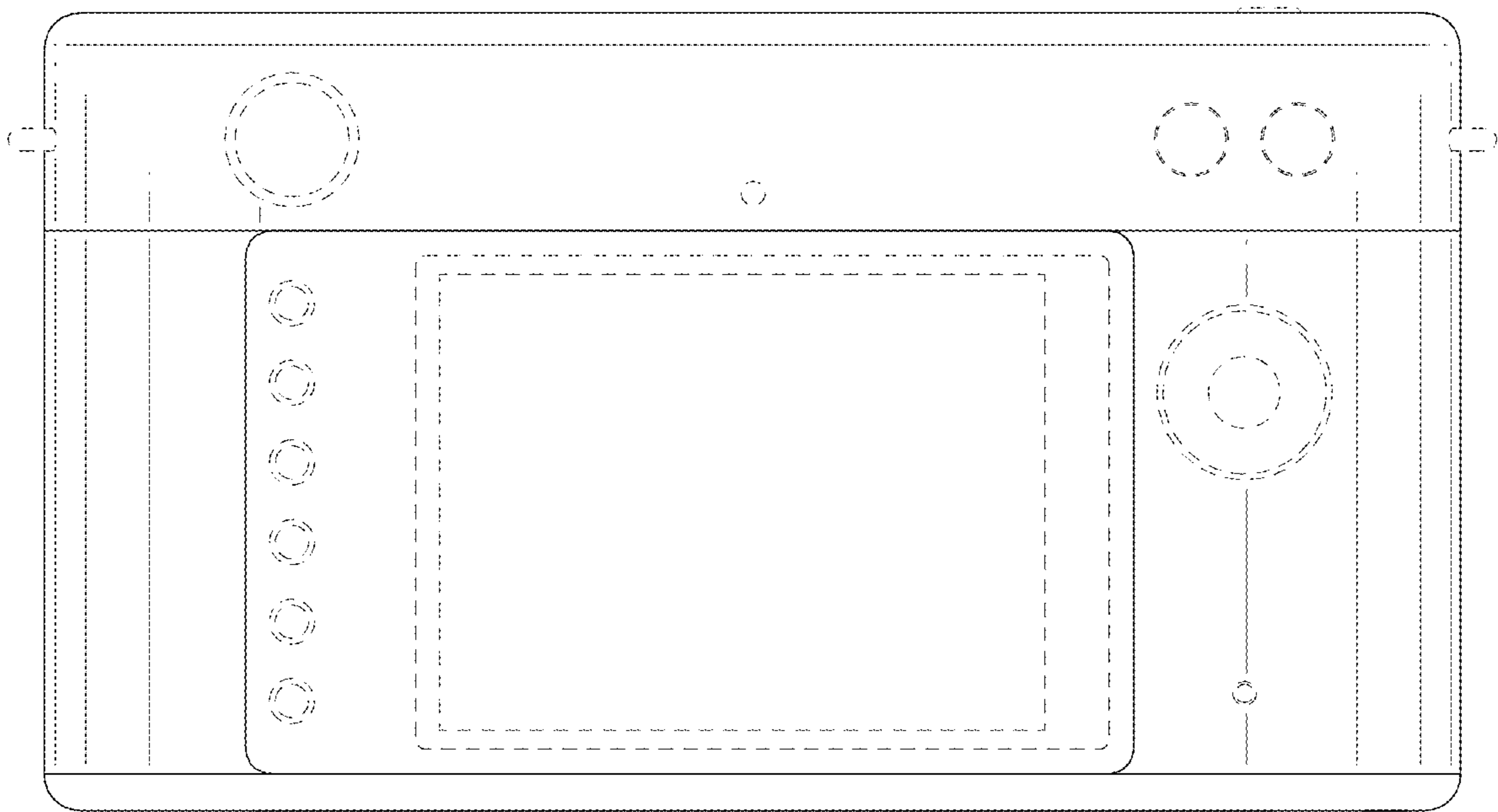


FIG. 3

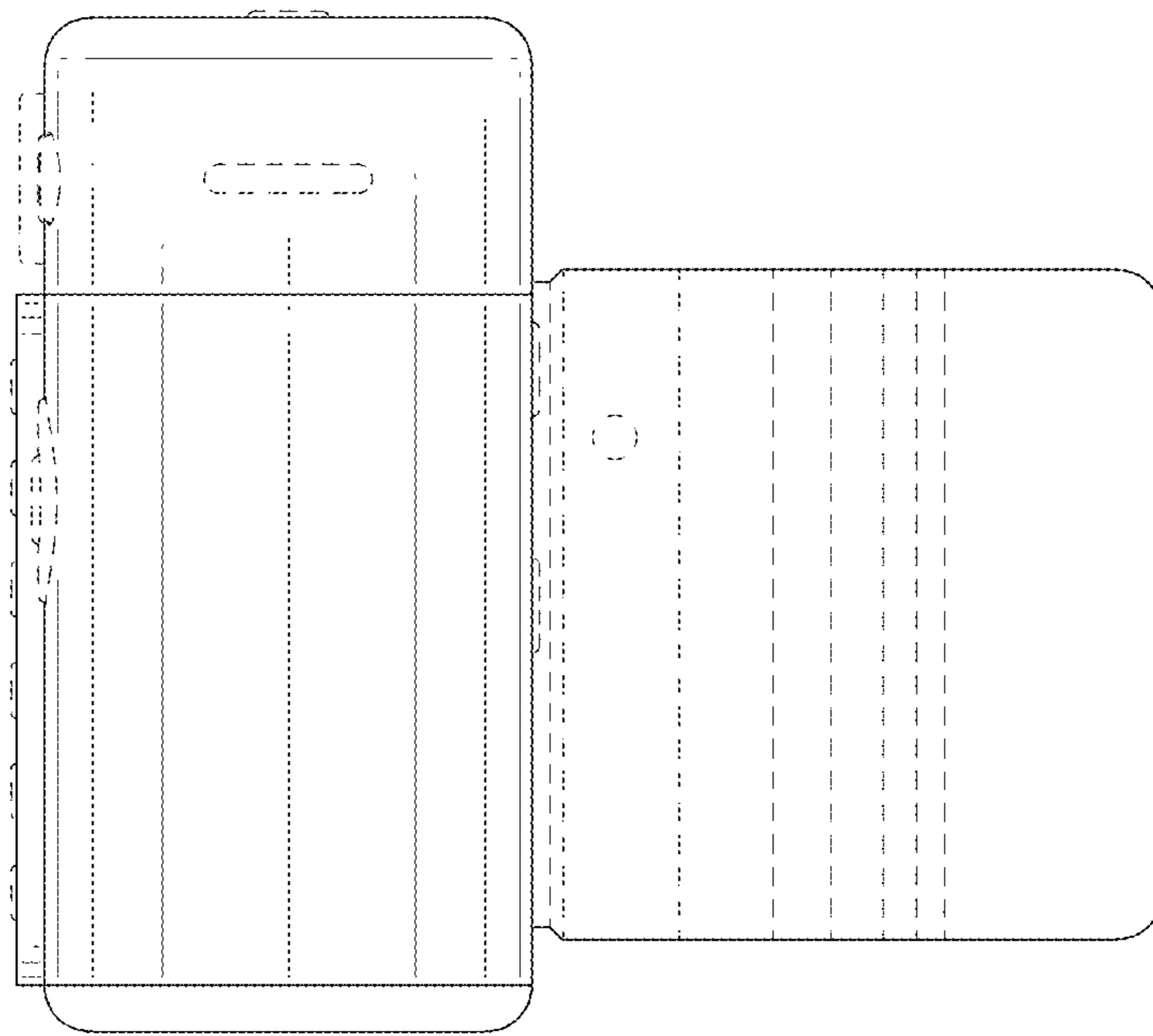


FIG. 4

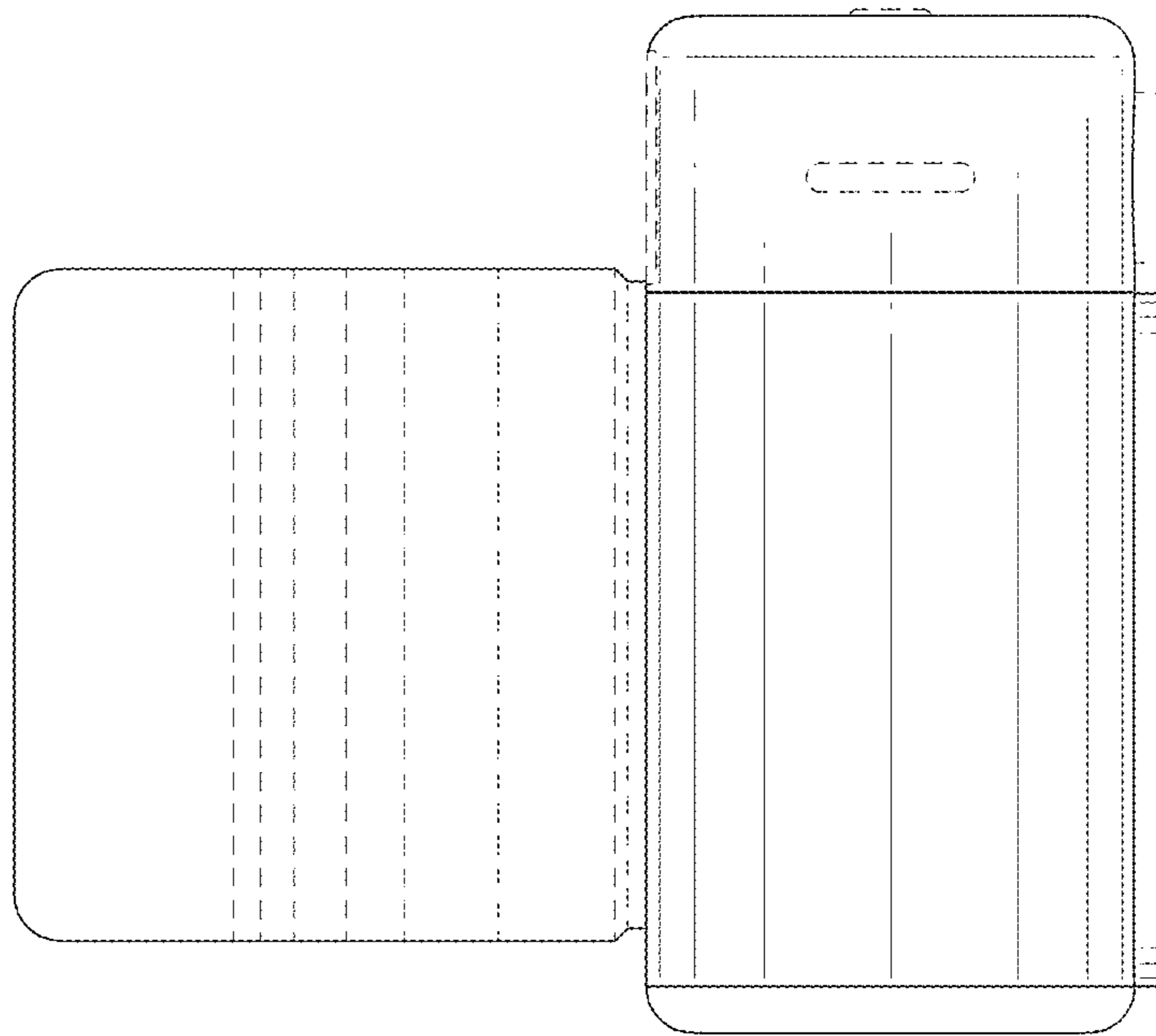


FIG. 5

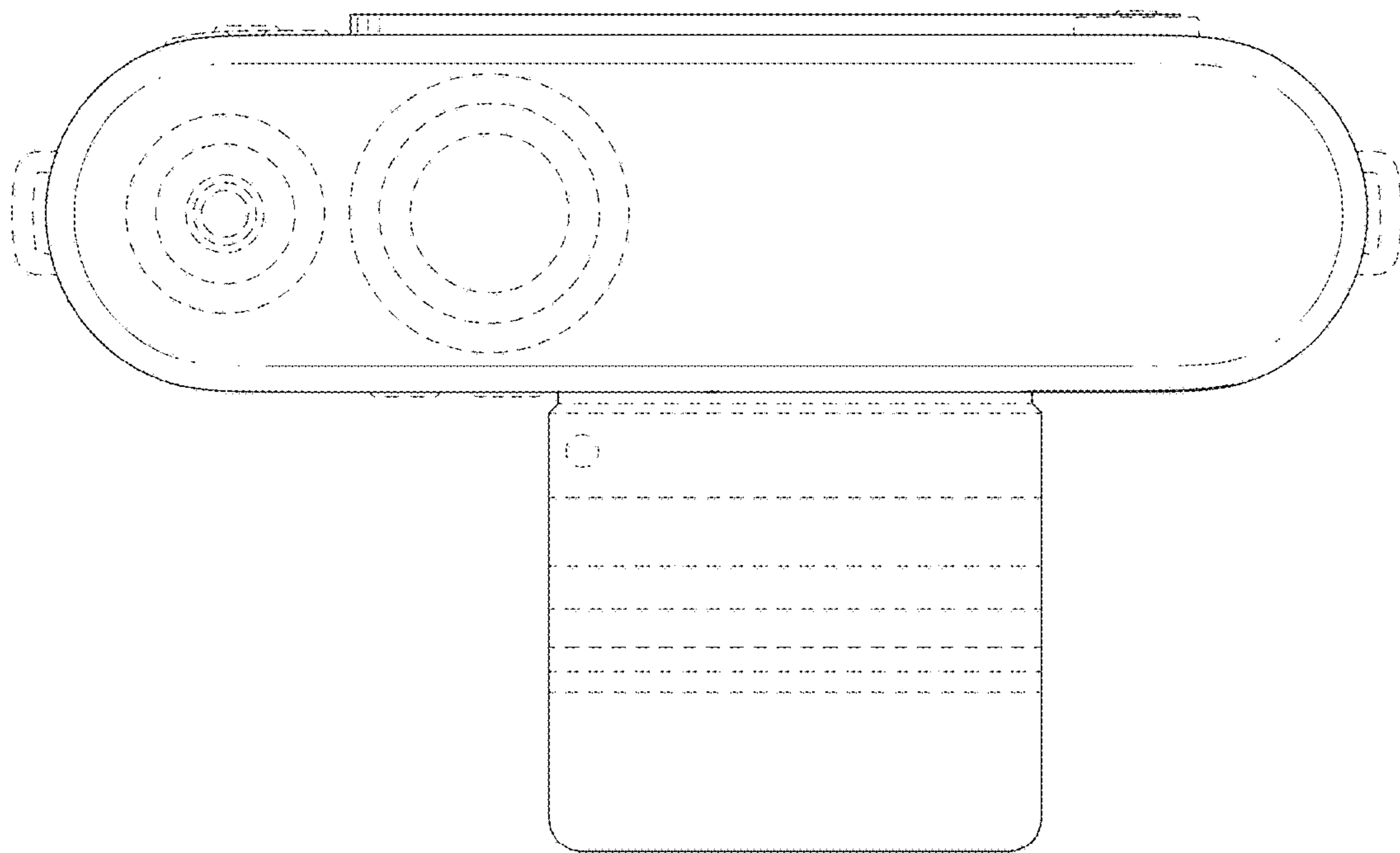


FIG. 6

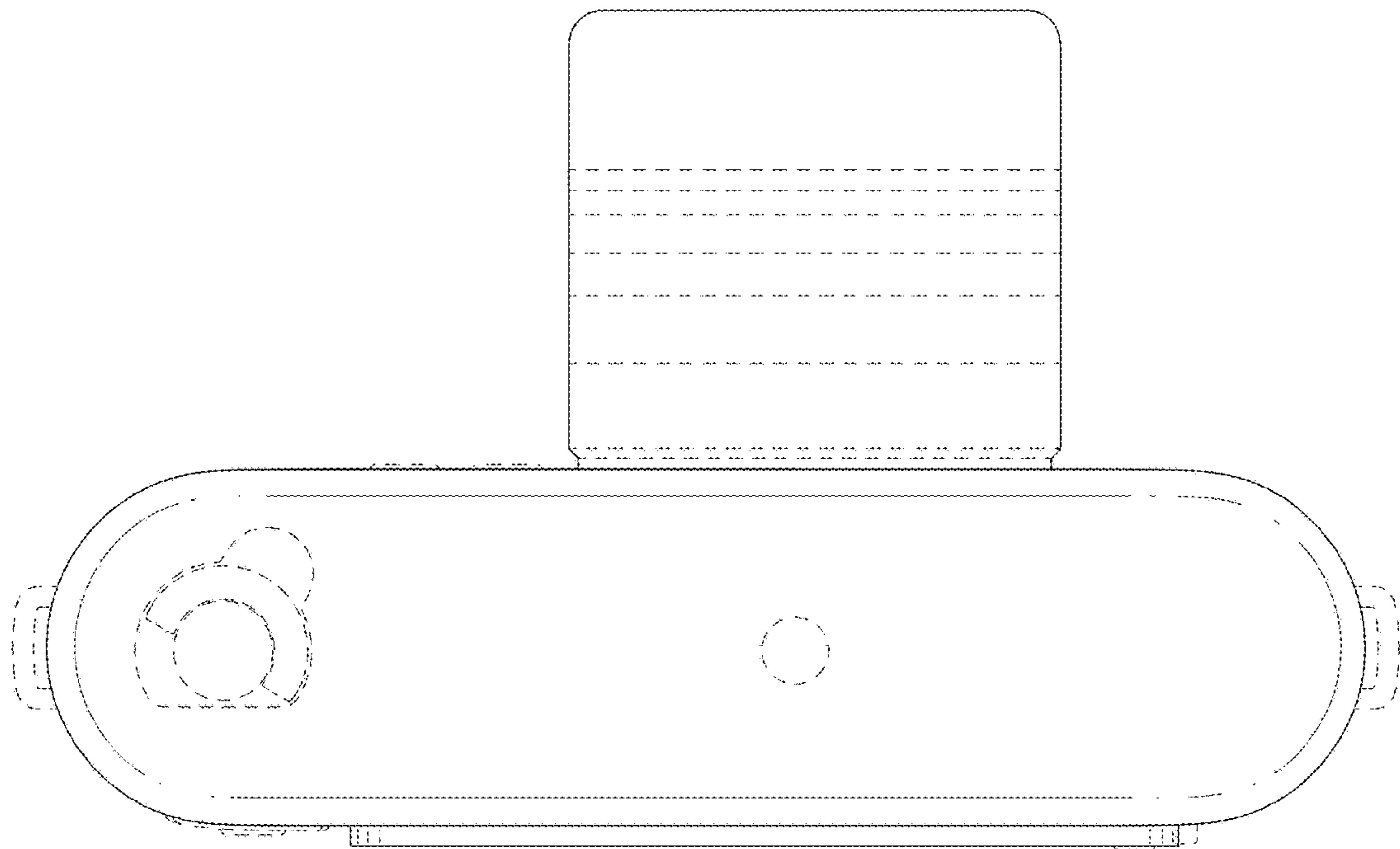


FIG. 7