

US00D860286S

(12) **United States Design Patent** (10) **Patent No.:** **US D860,286 S**
Unwin (45) **Date of Patent:** **** Sep. 17, 2019**

(54) **MAGNIFIER ACCESSORY FOR SMARTPHONE**

(71) Applicant: **LUCKIES OF LONDON LIMITED**,
London (GB)

(72) Inventor: **Xavier Unwin**, London (GB)

(73) Assignee: **LUCKIES OF LONDON LIMITED**,
London (GB)

(**) Term: **15 Years**

(21) Appl. No.: **29/606,604**

(22) Filed: **Jun. 6, 2017**

(30) **Foreign Application Priority Data**

Feb. 8, 2017 (EM) 003744143

(51) **LOC (12) Cl.** **16-06**

(52) **U.S. Cl.**
USPC **D16/135**

(58) **Field of Classification Search**
USPC D16/130, 134, 135; D14/203.3–203.7,
D14/217, 238.1, 240, 248, 250–253
CPC G02B 27/026; H04J 11/00; H04J 13/00
See application file for complete search history.

(56) **References Cited**

U.S. PATENT DOCUMENTS

- D407,393 S * 3/1999 Kazama D14/125
- D523,445 S * 6/2006 Toh D14/203.7
- D596,626 S * 7/2009 Andre D14/240
- D634,762 S * 3/2011 Levine D16/135
- D659,114 S * 5/2012 Rayn D14/203.3
- D668,700 S * 10/2012 Jim D16/135
- D669,512 S * 10/2012 Besse D16/135
- D742,856 S * 11/2015 Skjoldborg D14/217
- D743,931 S * 11/2015 Hubbard D14/203.7

(Continued)

Primary Examiner — Mark A Goodwin
Assistant Examiner — Benjamin M Weeks
(74) *Attorney, Agent, or Firm* — Nixon & Vanderhye P.C.

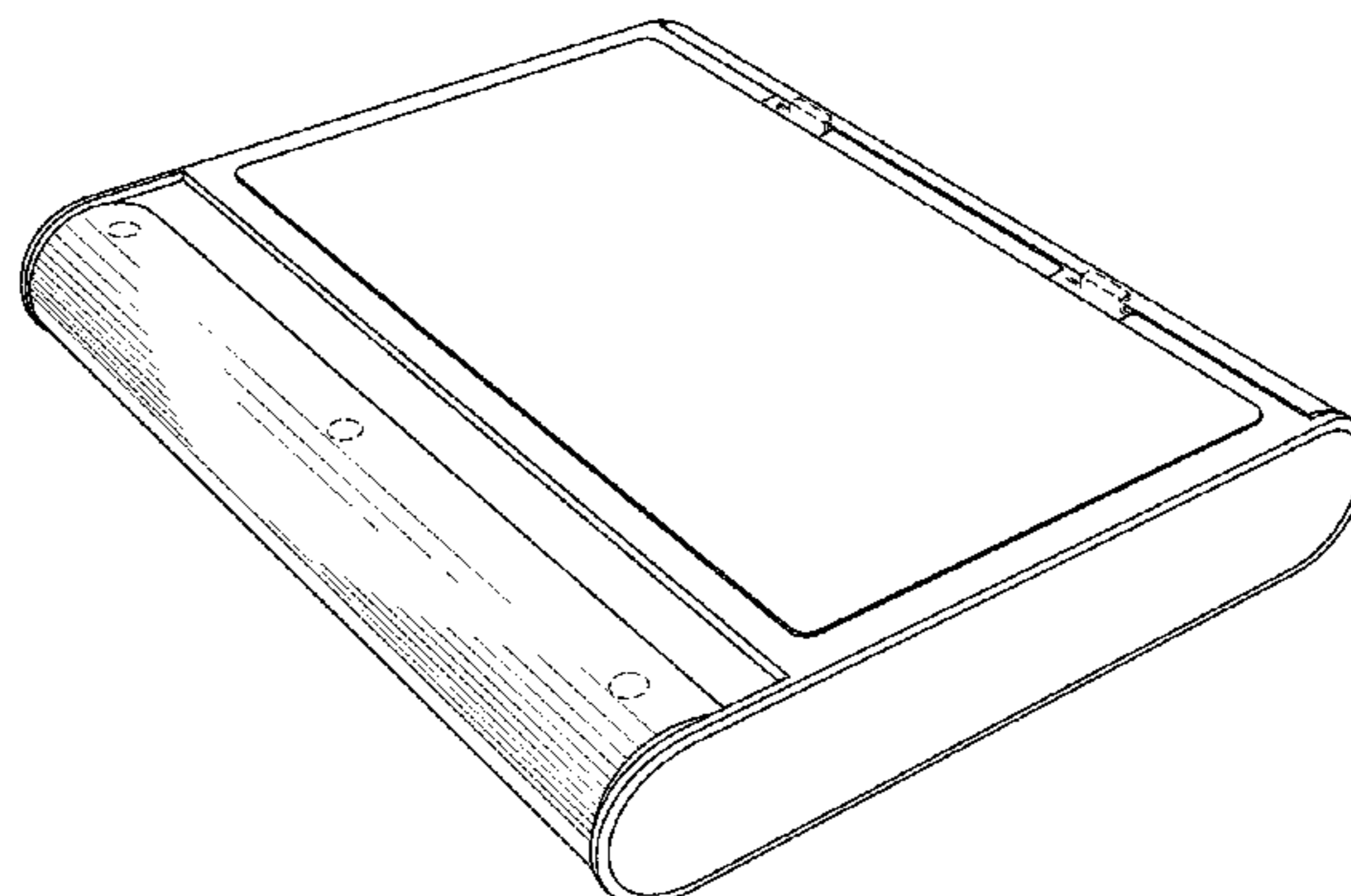
(57) **CLAIM**

The ornamental design for a magnifier accessory for smartphone, as shown and described.

DESCRIPTION

FIG. 1 is a perspective rear view of a magnifier accessory for smartphone according to my new ornamental design;
 FIG. 2 is a similar rear view thereof, with the rear cover removed from the main housing;
 FIG. 3 is another rear perspective view thereof, where the front cover has been moved or rotated to a supporting position and in which the magnifier is exposed through the front;
 FIG. 4 is similar to FIG. 3, but the rear cover has been removed and placed to the side;
 FIG. 5 is a front perspective view thereof with the front cover in a covering position relative to the magnifier;
 FIG. 6 is a front perspective view thereof with the front cover moved to the supporting position and just before the rear cover and sample smartphone are placed into the main housing;
 FIG. 7 is similar to FIG. 6, with the smartphone in an inserted position behind the magnifier, which is mounted on a movable support member that allows the magnifier to protrude forwardly from the main housing once the front cover is moved;
 FIG. 8 is a front view thereof showing the front cover in the covering position;
 FIG. 9 is a rear view thereof with the rear cover in position;
 FIG. 10 is a top view thereof;
 FIG. 11 is a bottom view thereof;
 FIG. 12 is a right side view thereof; and,
 FIG. 13 is a left side view thereof.
 The broken lines represent unclaimed subject matter and do not form a part of the claimed design.

1 Claim, 10 Drawing Sheets



(56)

References Cited

U.S. PATENT DOCUMENTS

D761,240 S *	7/2016	Ozolins	D14/250
D763,940 S *	8/2016	Bourque	D16/135
D782,476 S *	3/2017	Yamazaki	D14/240
2004/0207935 A1 *	10/2004	Jim	G02B 25/02 359/802

* cited by examiner

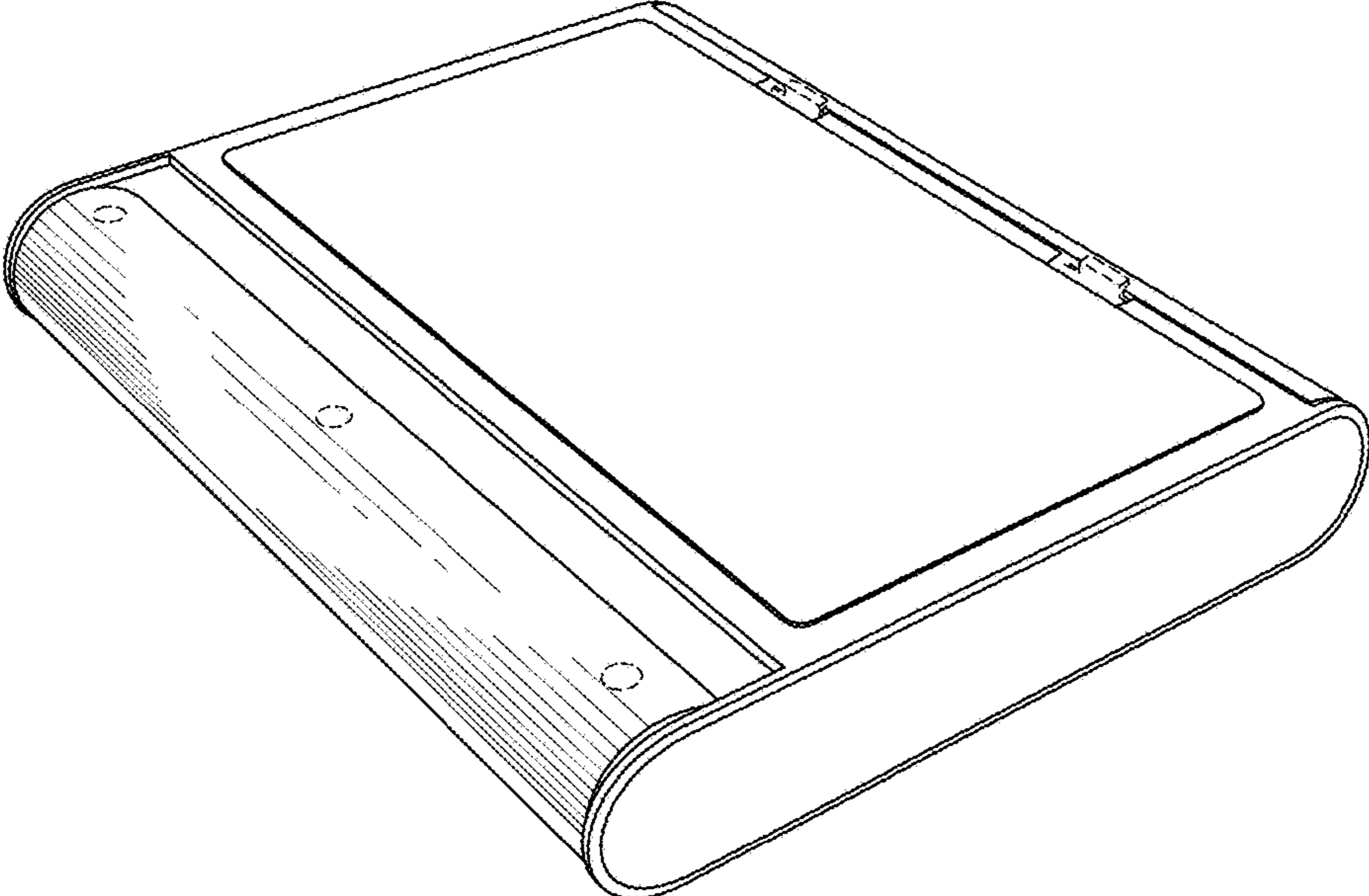


FIG. 1

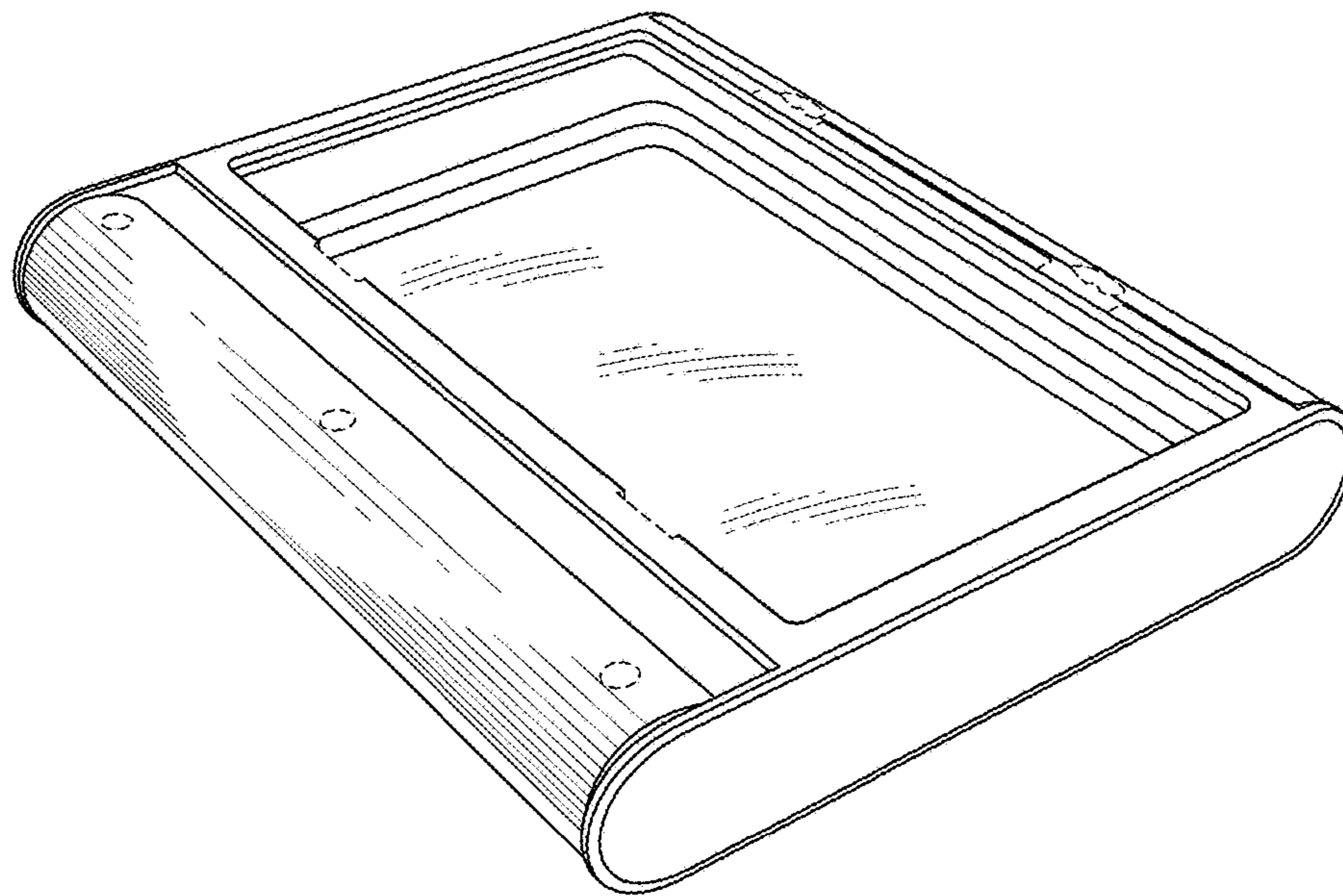


FIG. 2

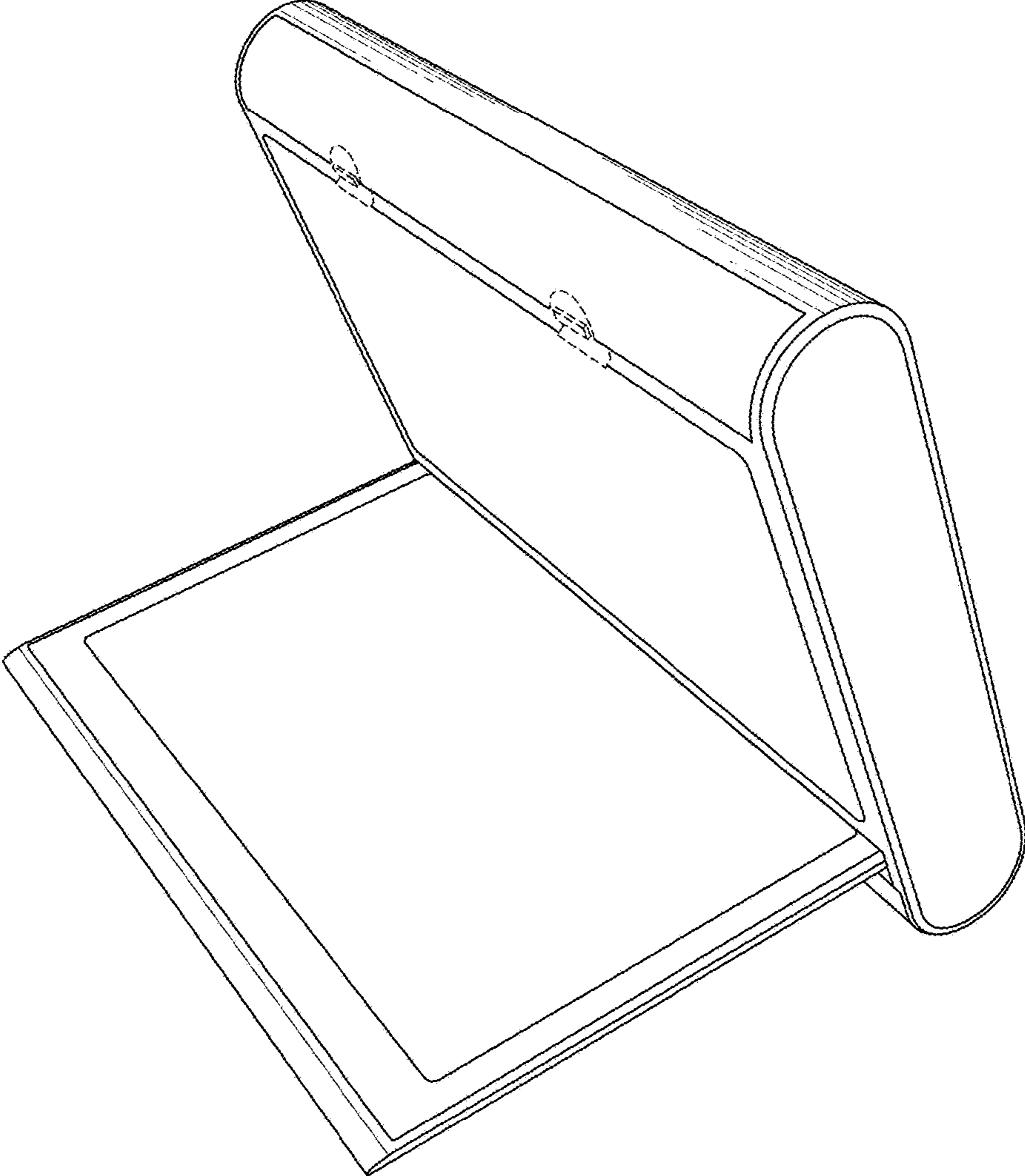


FIG. 3

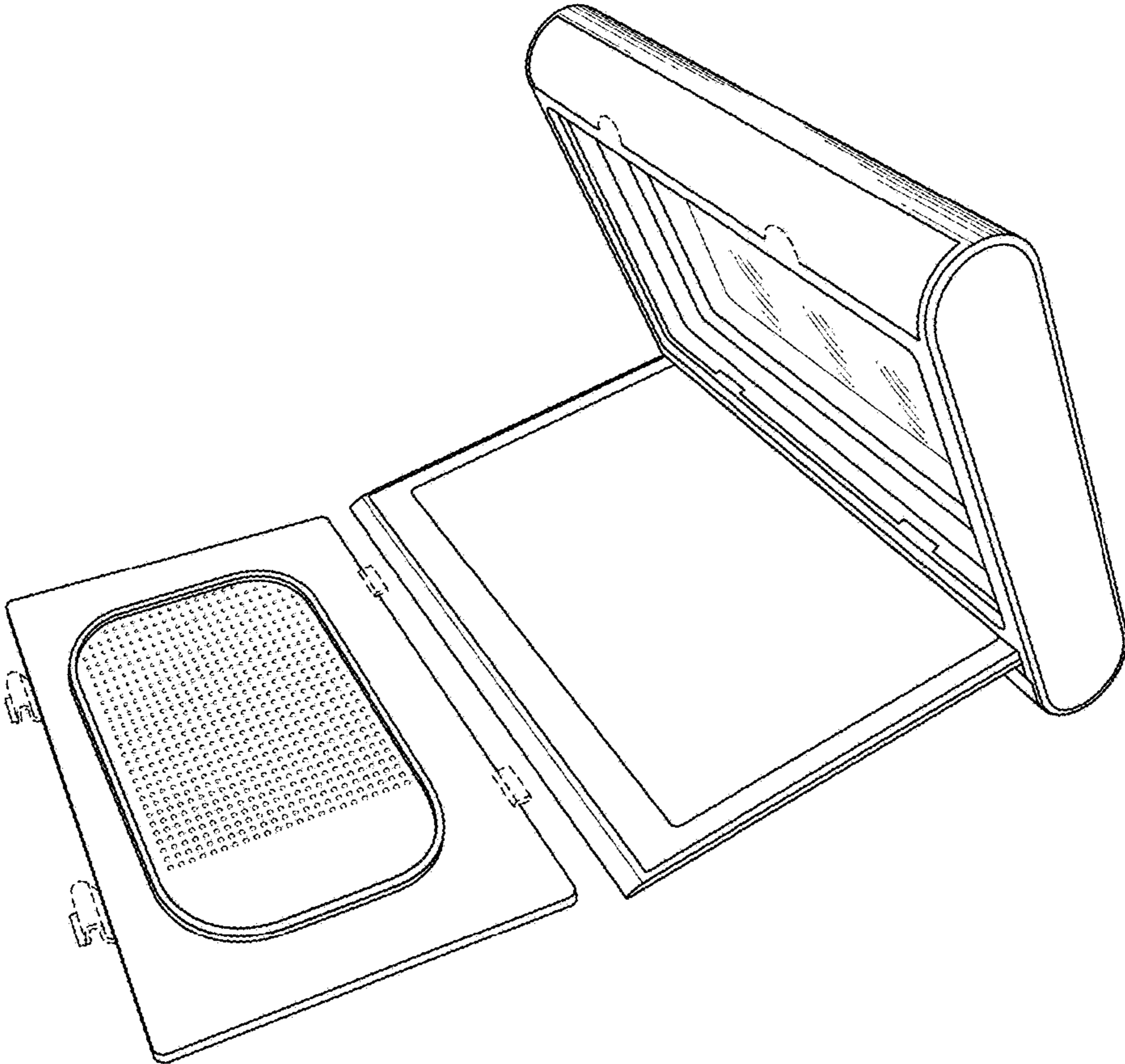


FIG. 4

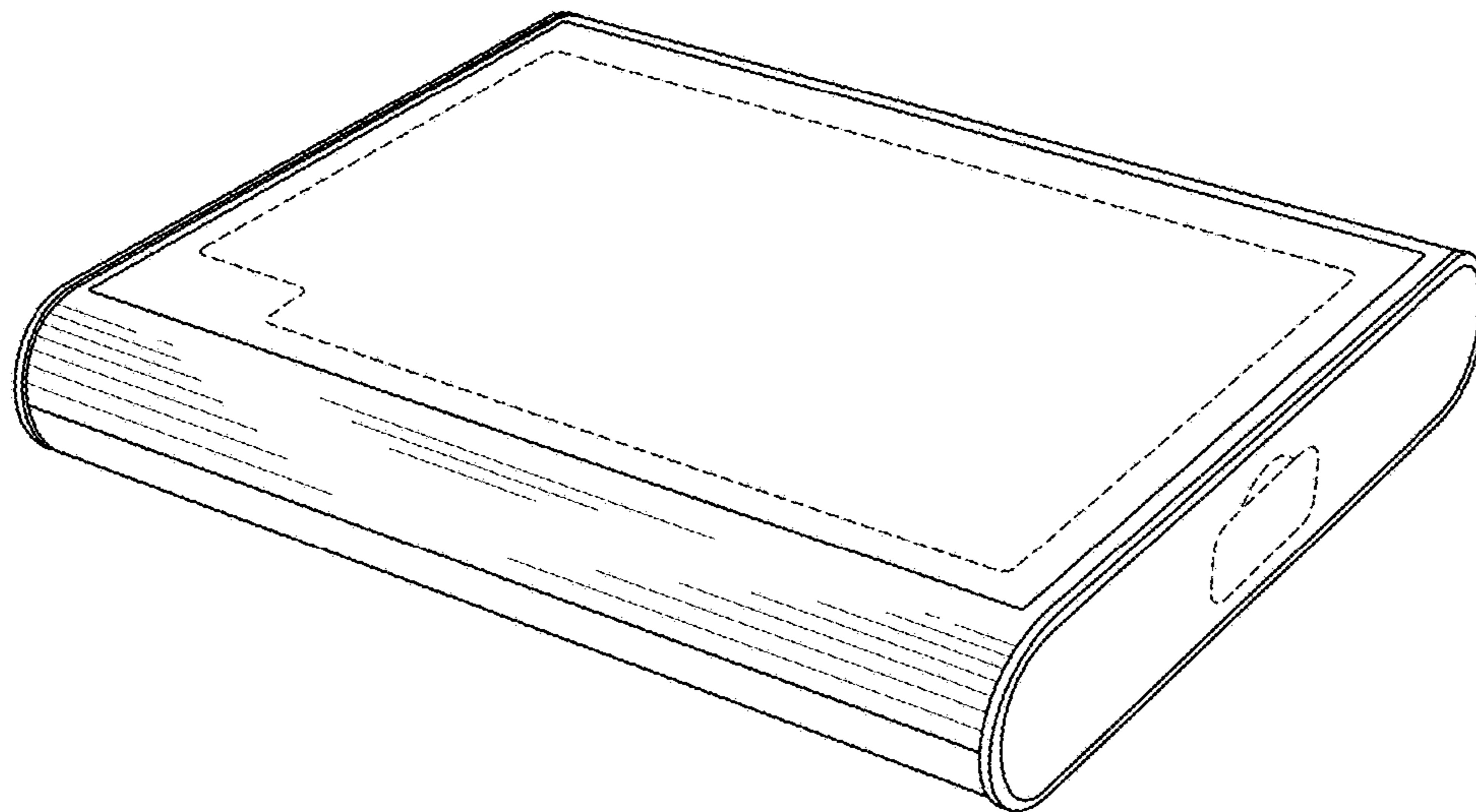


FIG. 5

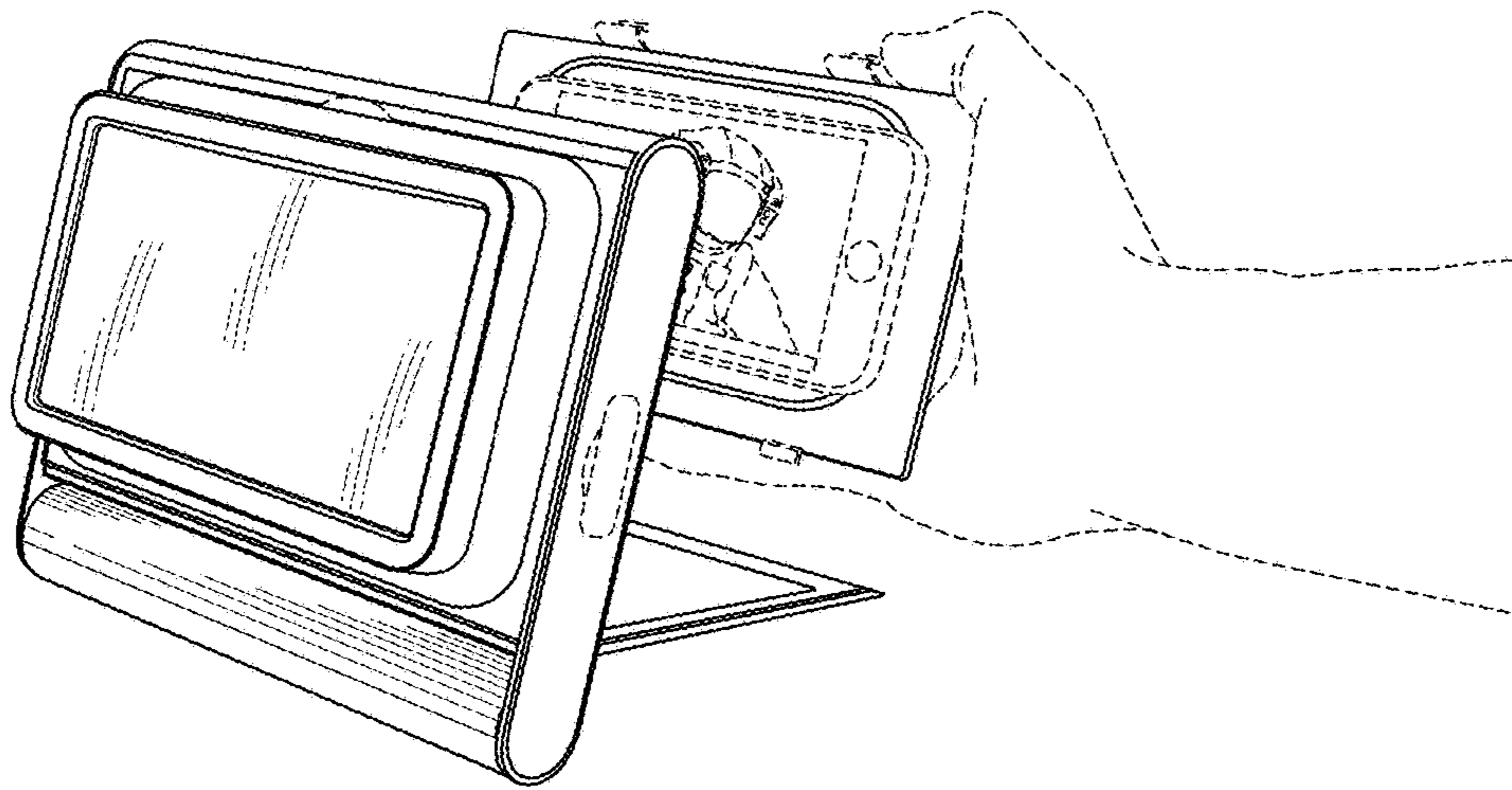


FIG. 6

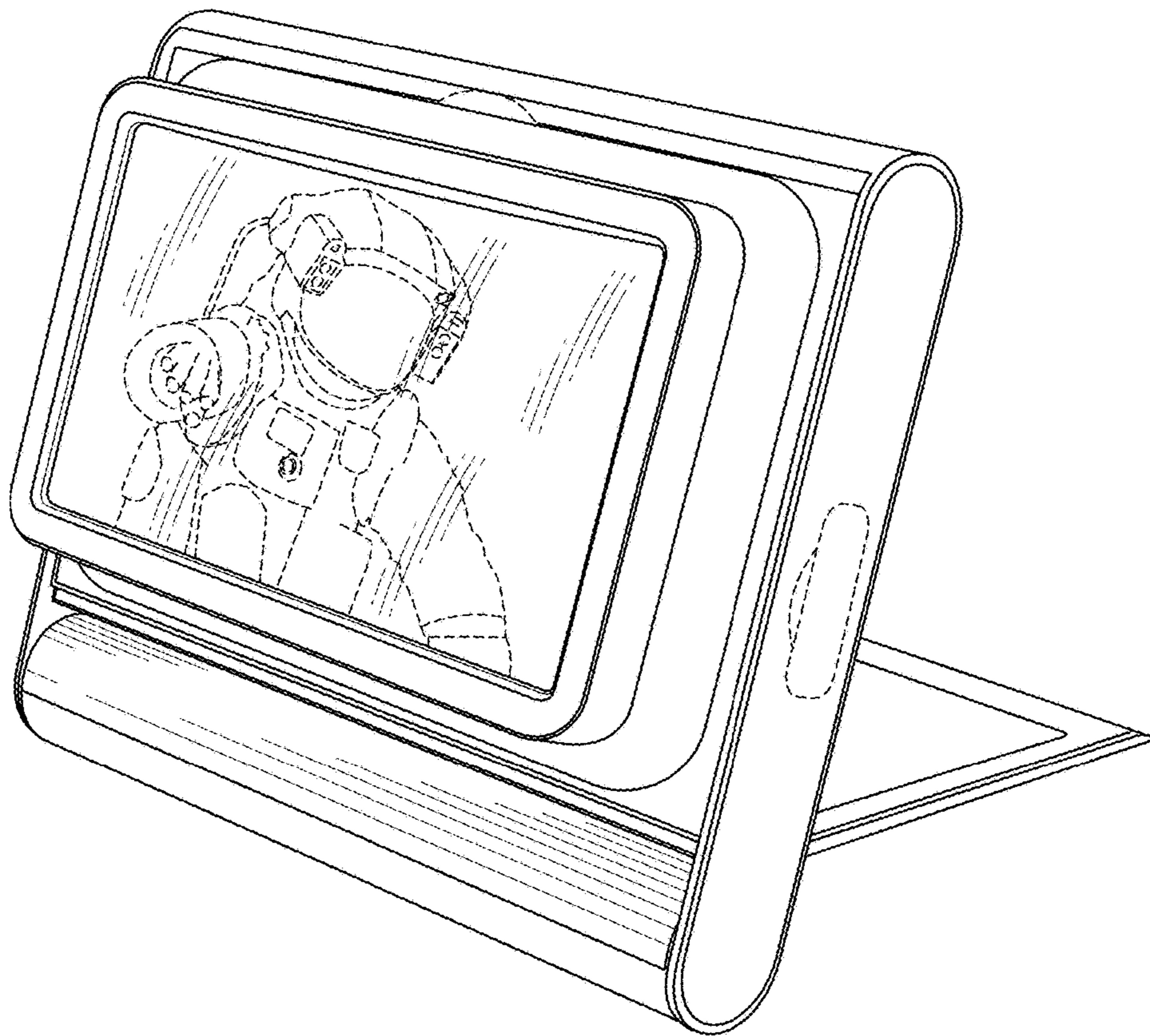


FIG. 7

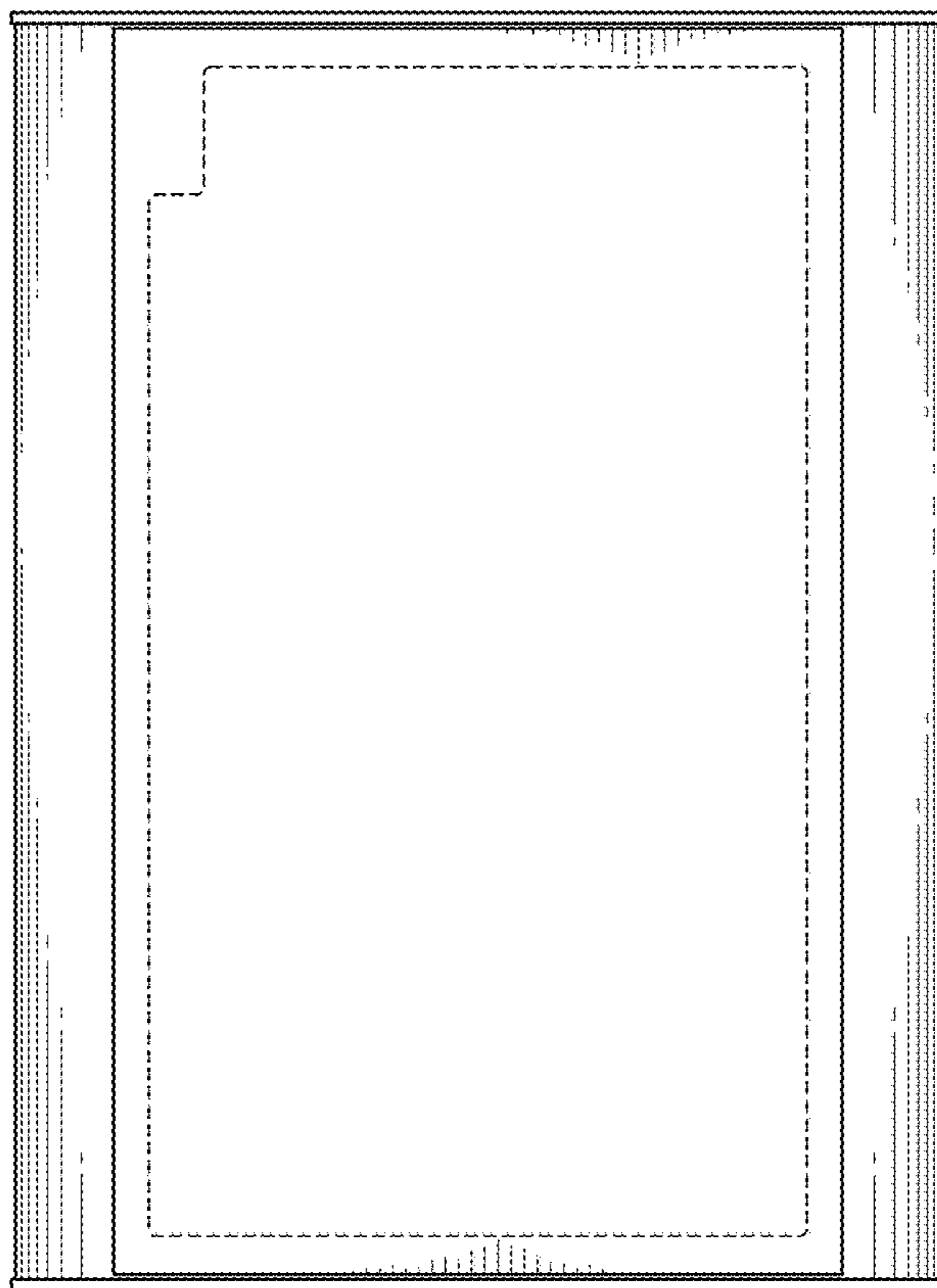


FIG. 8

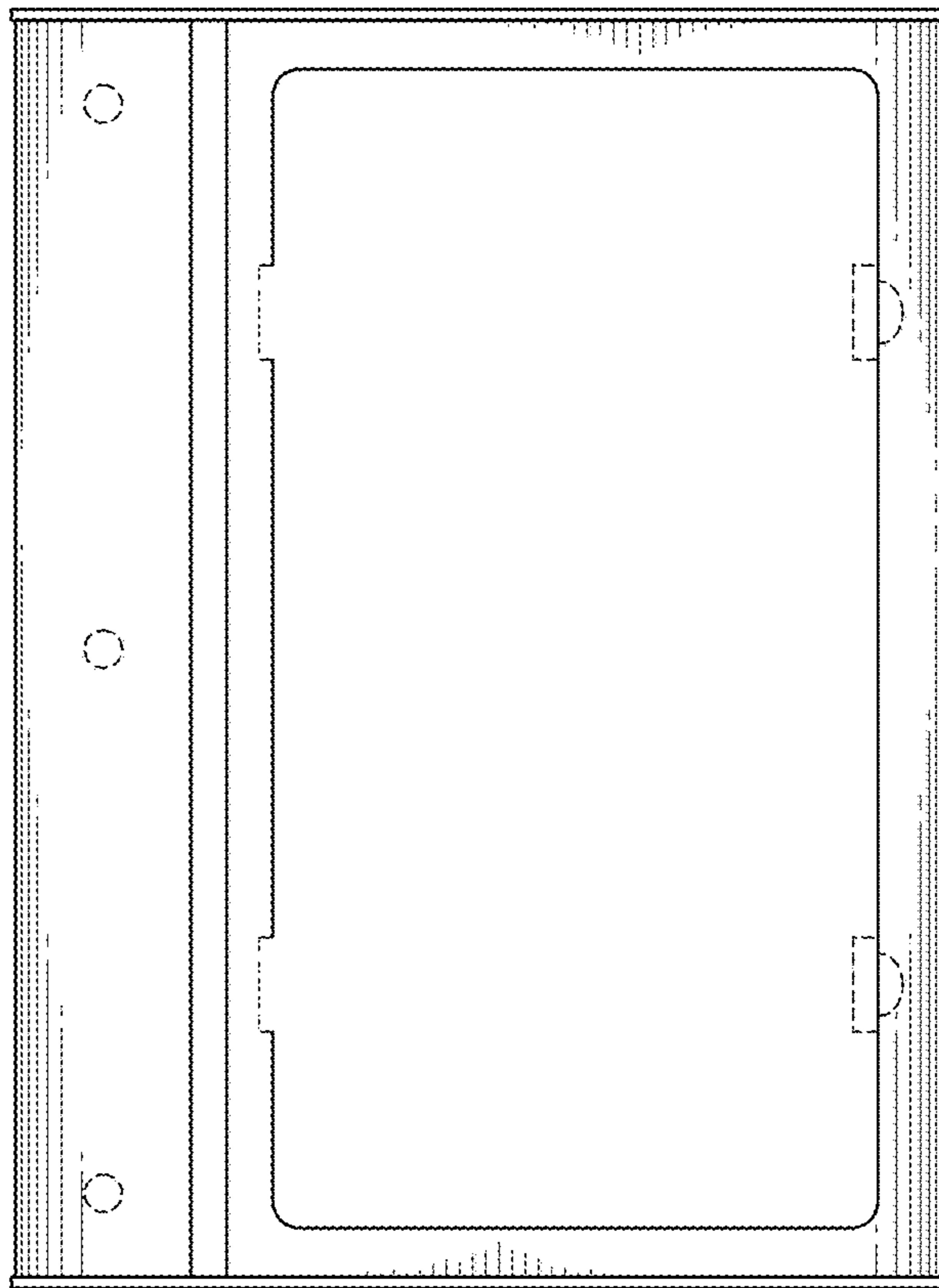


FIG. 9

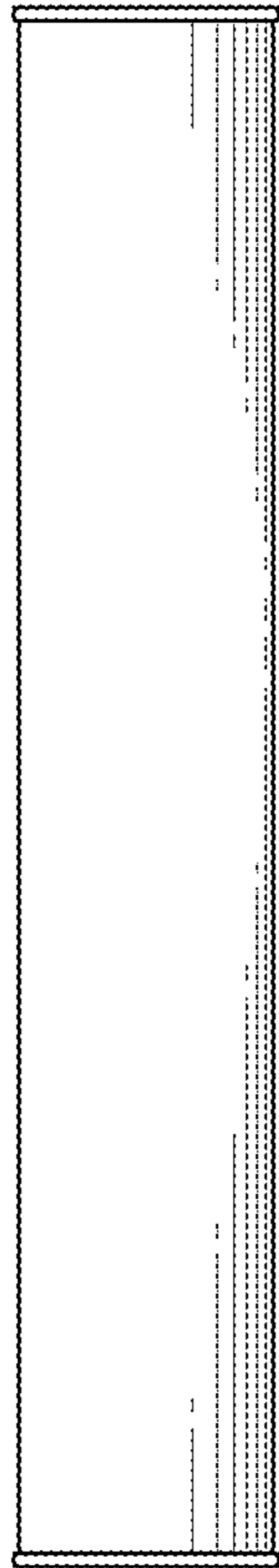


FIG. 10

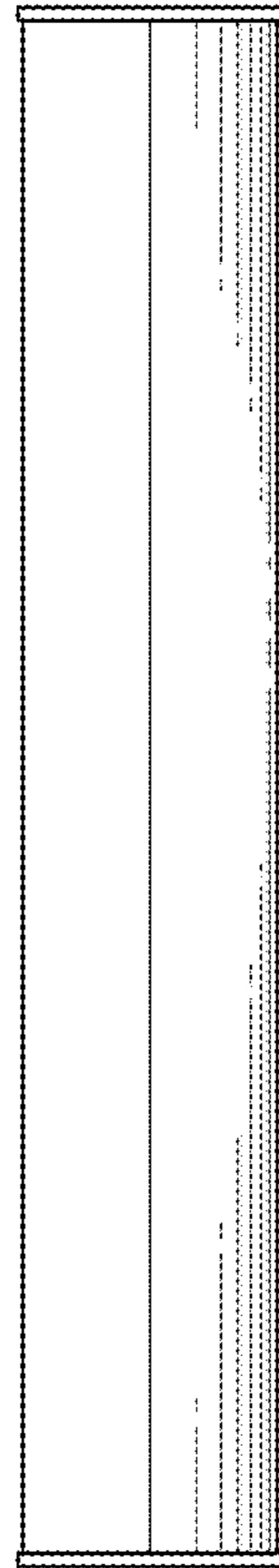


FIG. 11

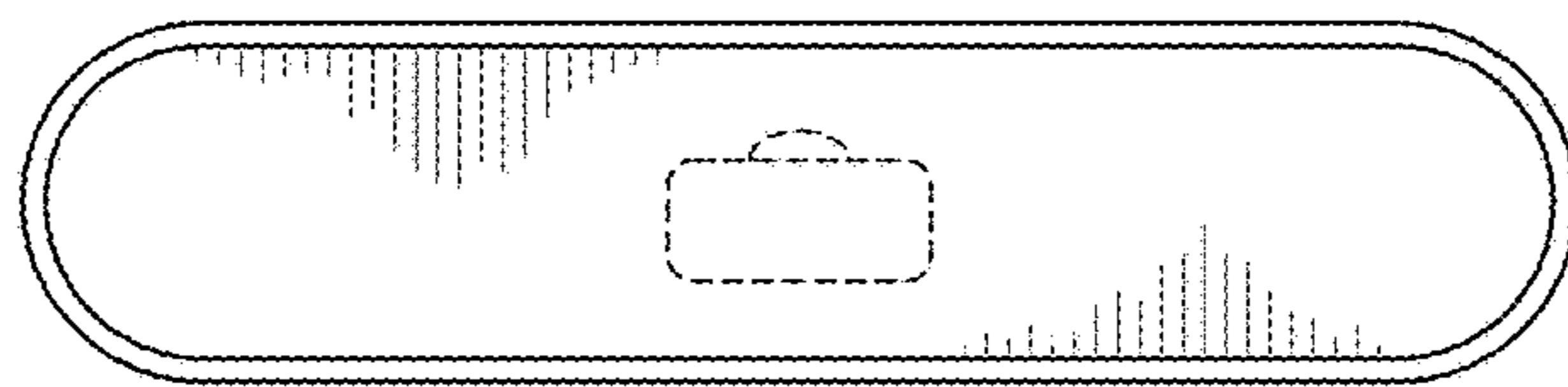


FIG. 12

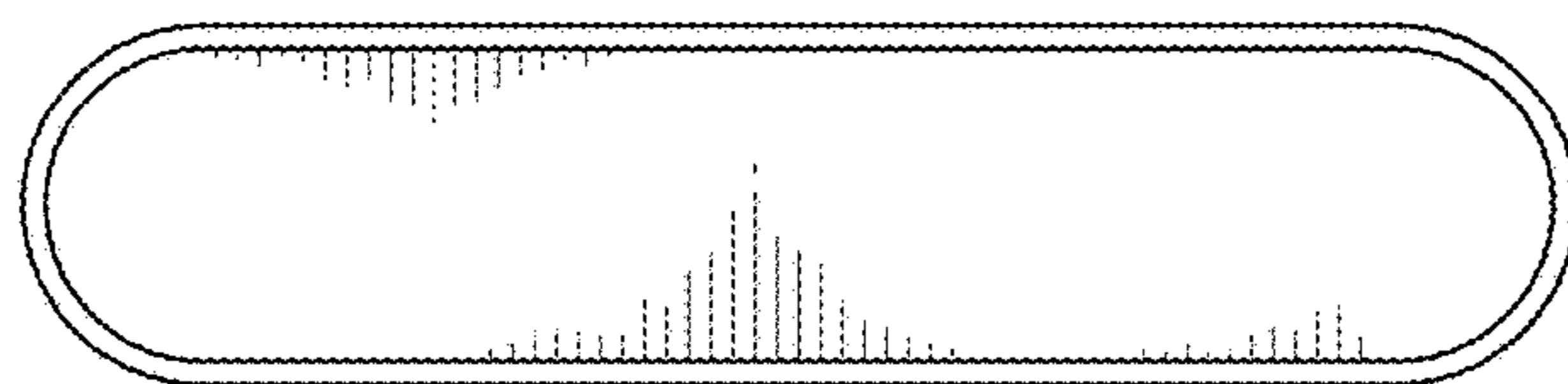


FIG. 13