



US00D860285S

(12) **United States Design Patent**  
**Pröll**

(10) **Patent No.:** **US D860,285 S**

(45) **Date of Patent:** **\*\* Sep. 17, 2019**

(54) **TELESCOPE**

(71) Applicant: **SWAROVSKI-OPTIK KG., Absam**  
(AT)

(72) Inventor: **Julian Pröll, Linz (AT)**

(73) Assignee: **SWAROVSKI-OPTIK KG., Absam**  
(AT)

(\*\*) Term: **15 Years**

(21) Appl. No.: **35/504,576**

(22) Filed: **Feb. 22, 2018**

(80) **Hague Agreement Data**

Int. Filing Date: **Feb. 22, 2018**

Int. Reg. No.: **DM/099986**

Int. Reg. Date: **Feb. 22, 2018**

Int. Reg. Pub. Date: **Mar. 9, 2018**

(51) **LOC (12) Cl.** ..... **16-06**

(52) **U.S. Cl.**

USPC ..... **D16/132**

(58) **Field of Classification Search**

USPC ..... D16/130-136; D22/100, 108, 109, 110

CPC ..... G02B 23/00; G02B 23/02; G02B 23/12;  
G02B 23/16; G02B 7/04

See application file for complete search history.

(56) **References Cited**

**U.S. PATENT DOCUMENTS**

D165,231 S	*	11/1951	Kieffer, III et al.	.....	D16/132
D285,698 S	*	9/1986	Ogasawara	.....	D16/132
D374,022 S	*	9/1996	Meinzer	.....	D16/130
D395,440 S	*	6/1998	Ogasawara	.....	D16/132
D438,221 S	*	2/2001	Hedrick	.....	D16/132
D439,259 S	*	3/2001	Yamaguchi	.....	D16/132

D454,144 S	*	3/2002	Ogasawara	.....	D16/132
D454,899 S	*	3/2002	Hedrick	.....	D16/132
D484,898 S	*	1/2004	Moro	.....	D16/132
D522,550 S	*	6/2006	Kung	.....	D16/132
D534,193 S	*	12/2006	Ono	.....	D16/132
D550,263 S	*	9/2007	Zhou	.....	D16/132
D572,740 S	*	7/2008	Kitera	.....	D16/132
D675,239 S	*	1/2013	Wunnicke	.....	D16/132
D695,327 S	*	12/2013	Hoelbl	.....	D16/132
D724,129 S	*	3/2015	Marsiglia	.....	D16/132
D731,571 S	*	6/2015	Imamizu	.....	D16/132
D816,795 S	*	5/2018	Vogl	.....	D22/109
D817,376 S	*	5/2018	Vogl	.....	D16/132
D818,512 S	*	5/2018	Massegg	.....	D16/132

\* cited by examiner

*Primary Examiner* — Manpreet S Matharu

*Assistant Examiner* — Holly E Thurman

(74) *Attorney, Agent, or Firm* — Collard & Roe, P.C.

(57) **CLAIM**

The ornamental design for a telescope, as shown and described.

**DESCRIPTION**

1.1: Perspective

1.2: Back

1.3: Left

1.4: Top

1.5: Right

1.6: Bottom

1.7: Front

5.1: Perspective

5.2: Back

5.3: Left

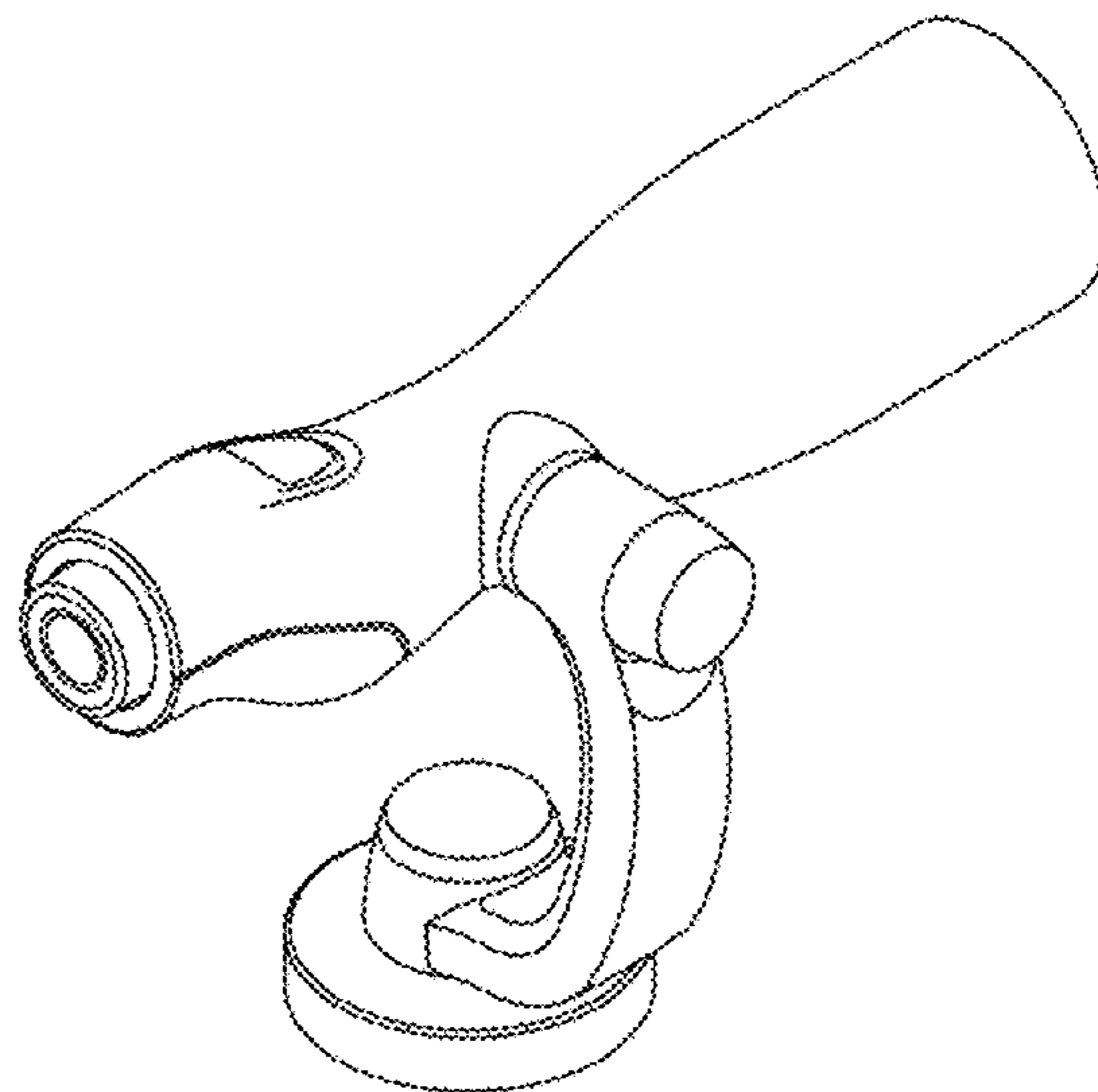
5.4: Top

5.5: Right

5.6: Bottom

5.7: Front

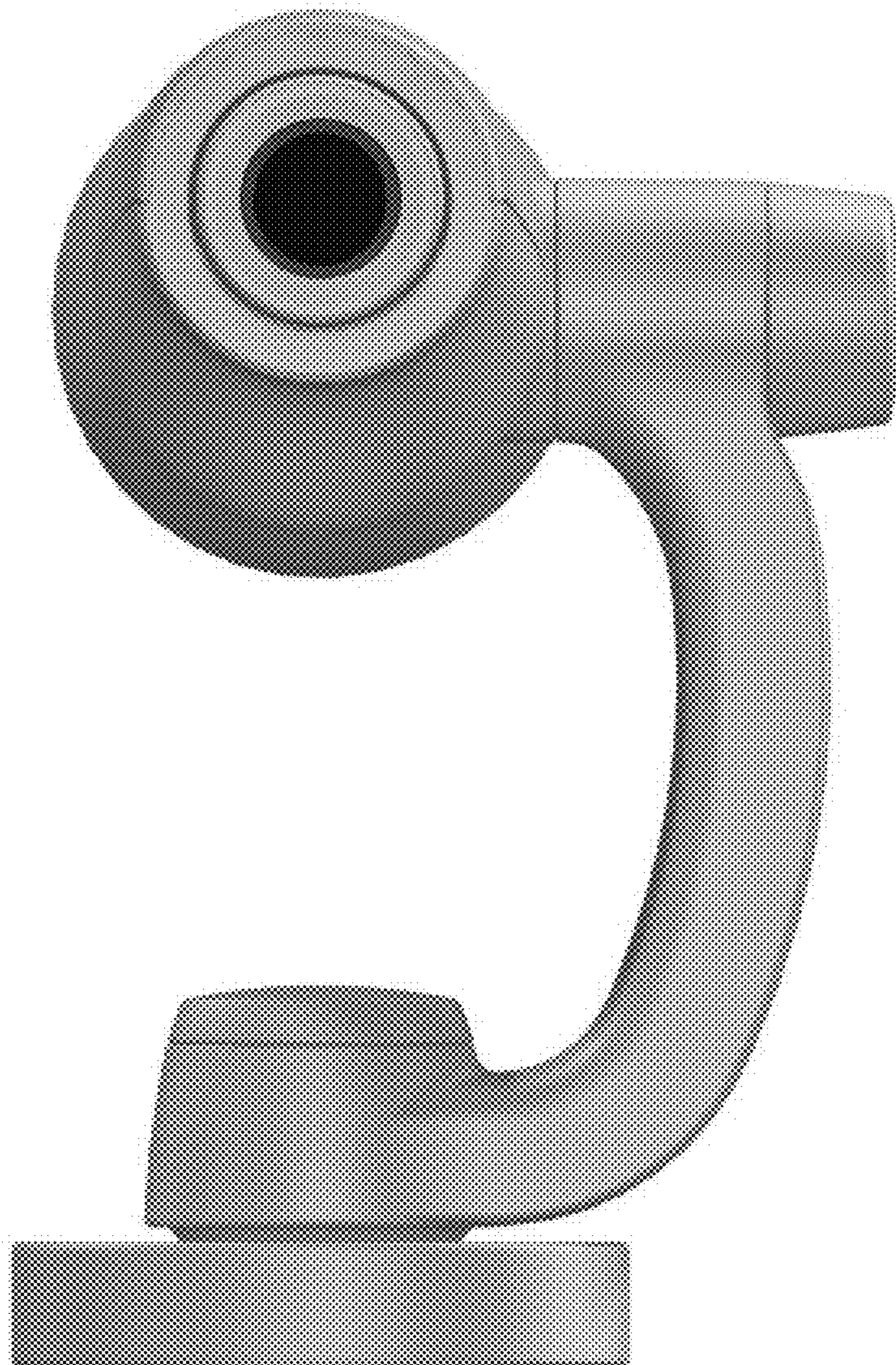
**1 Claim, 14 Drawing Sheets**



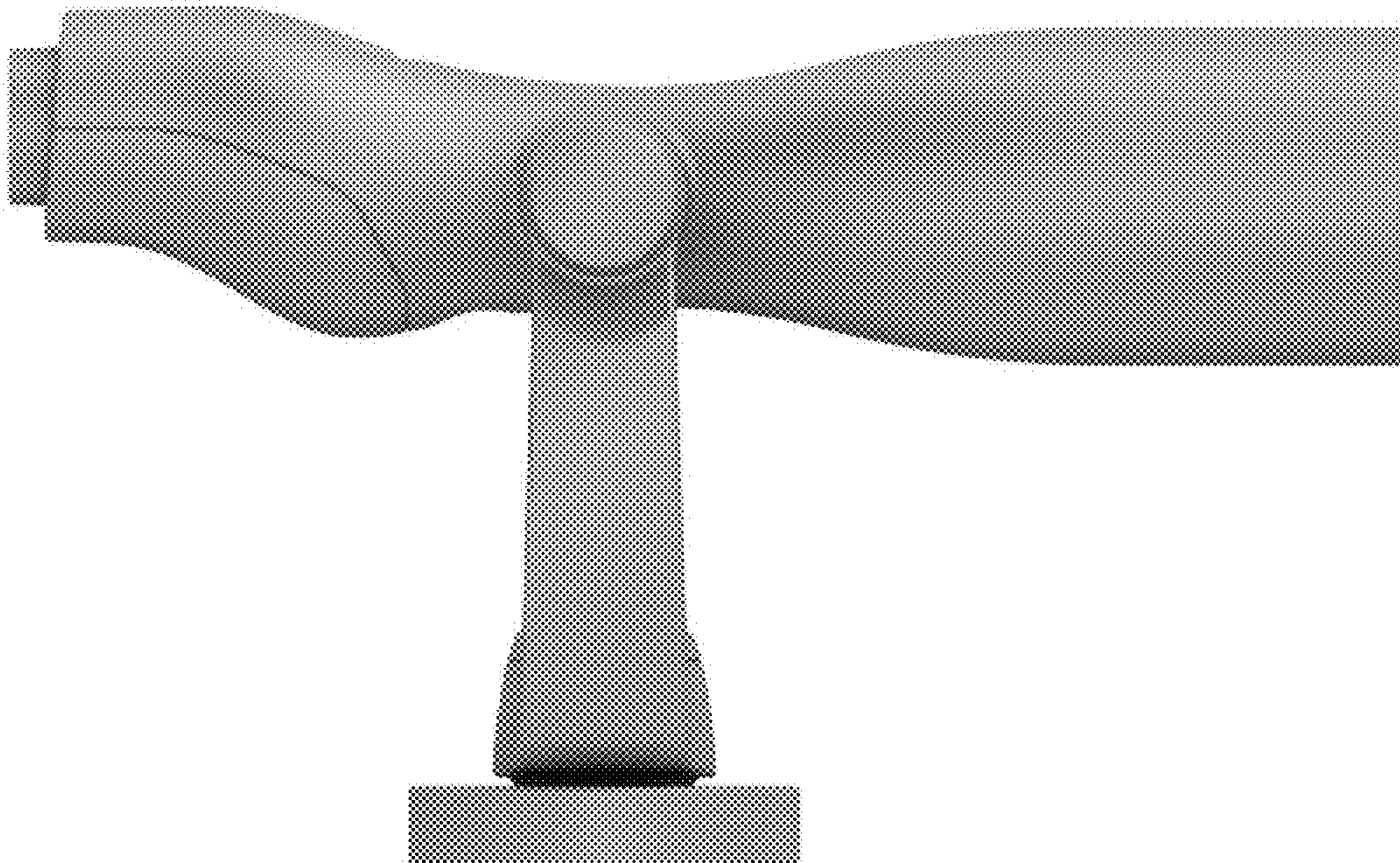
1.1



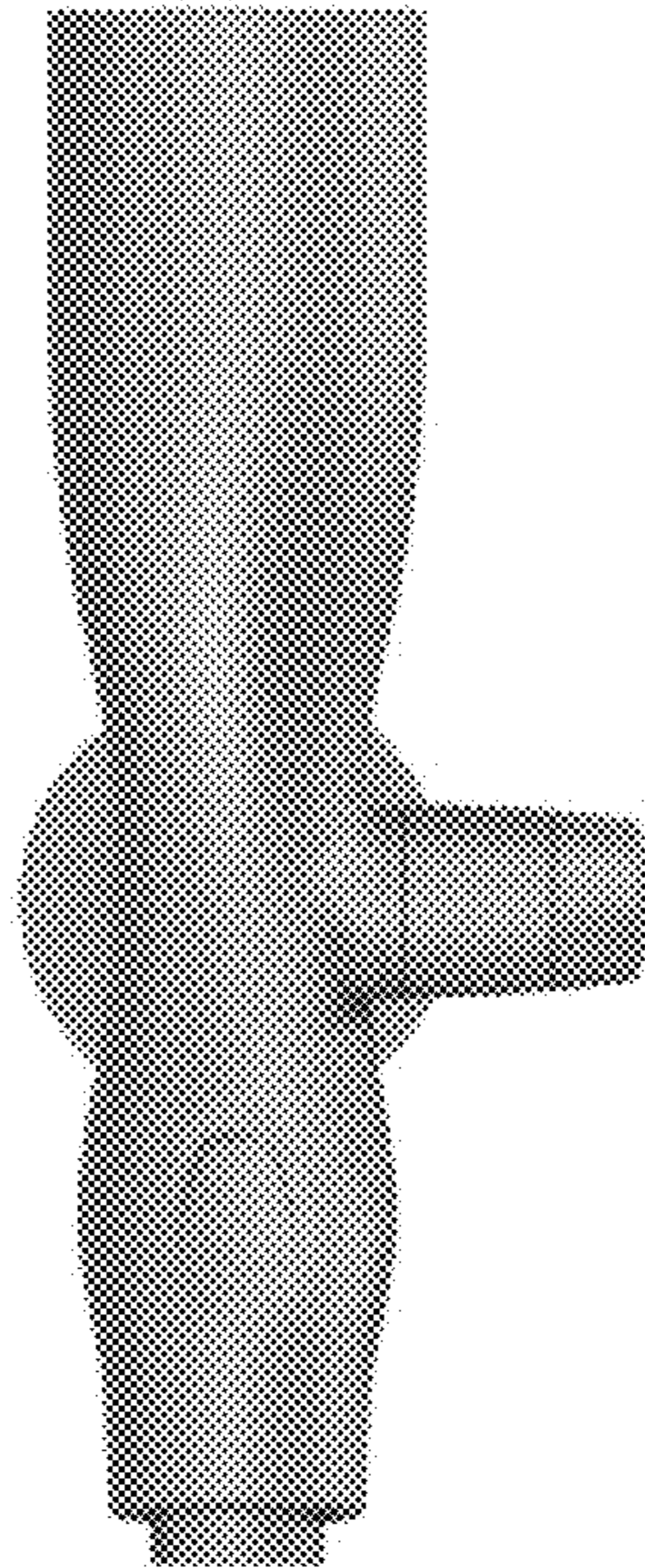
1.2



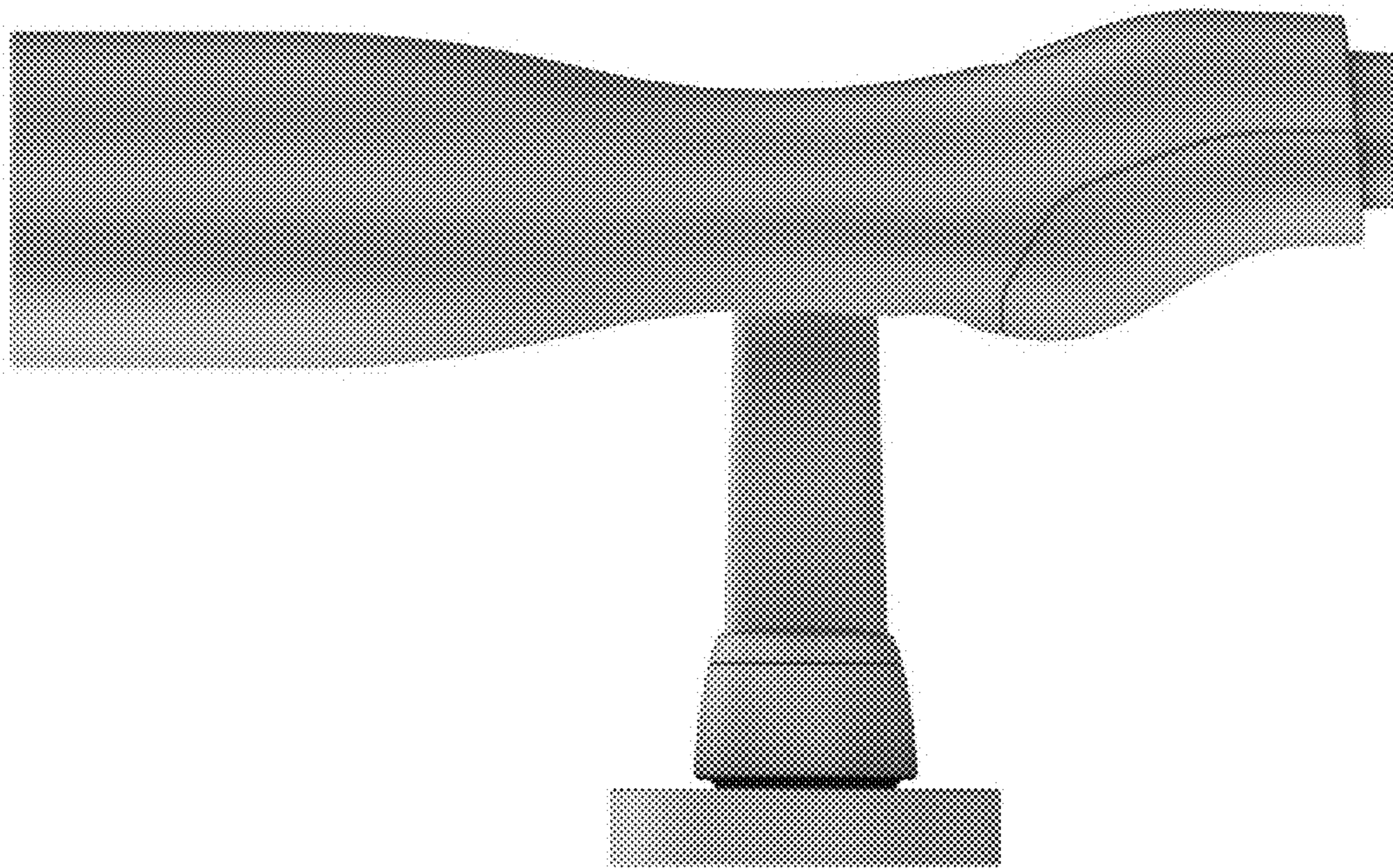
1.3



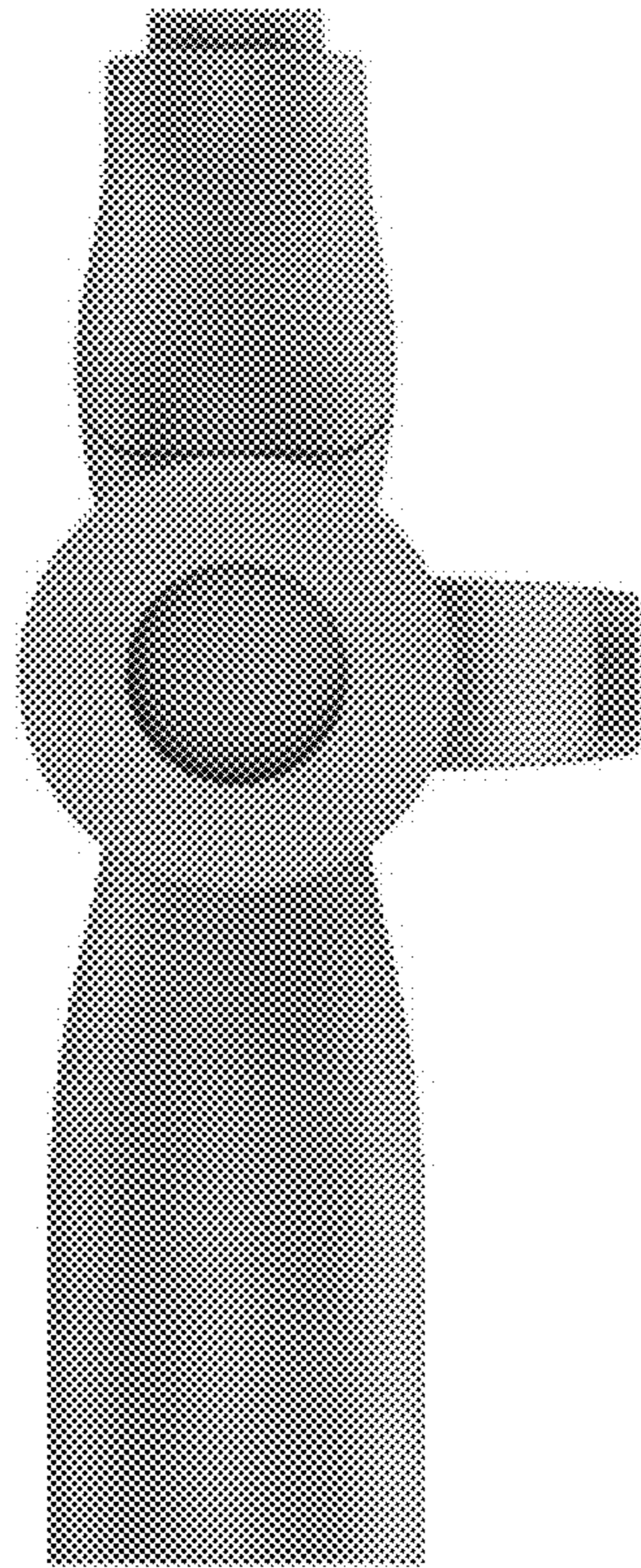
1.4



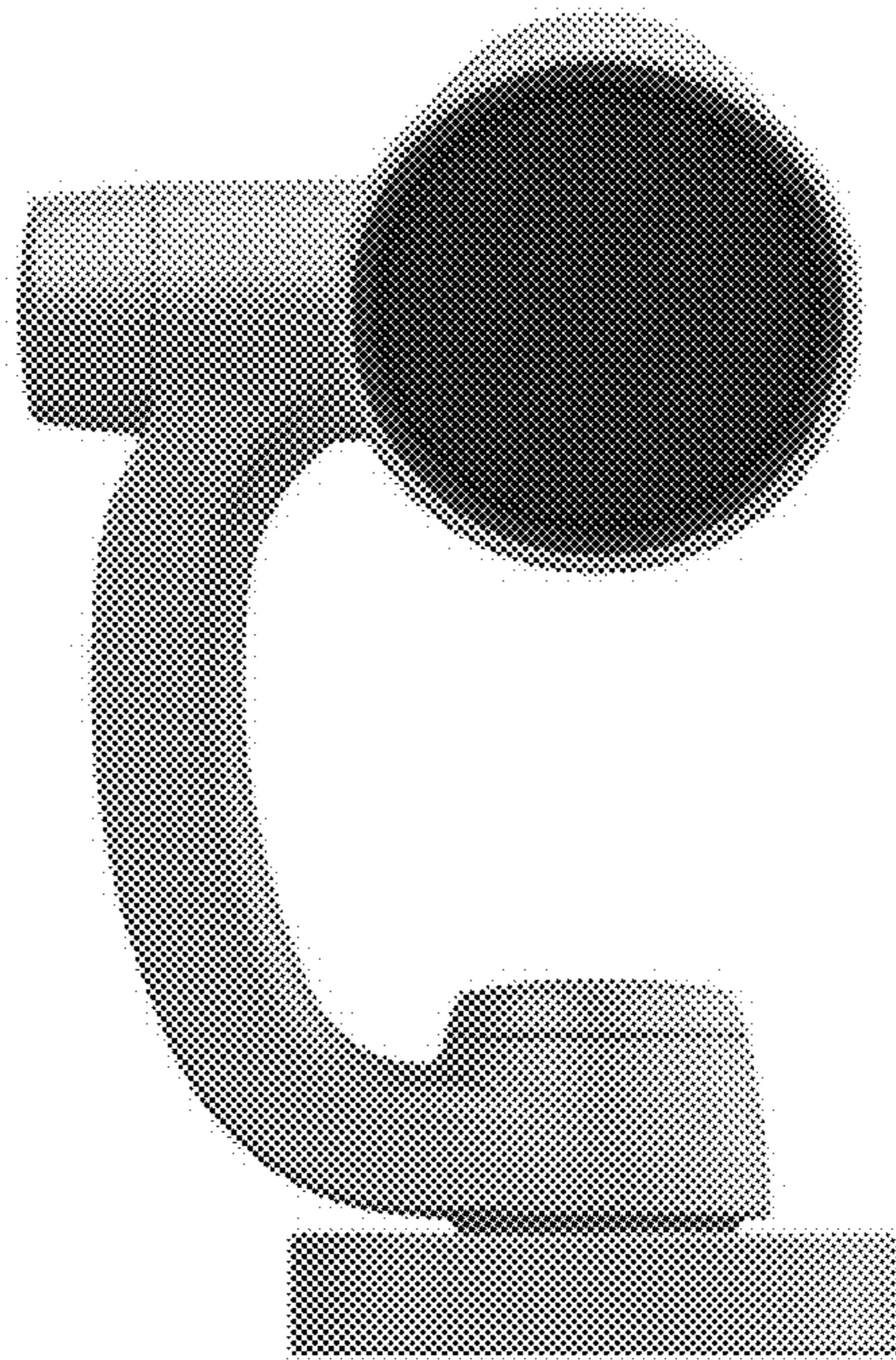
1.5



1.6

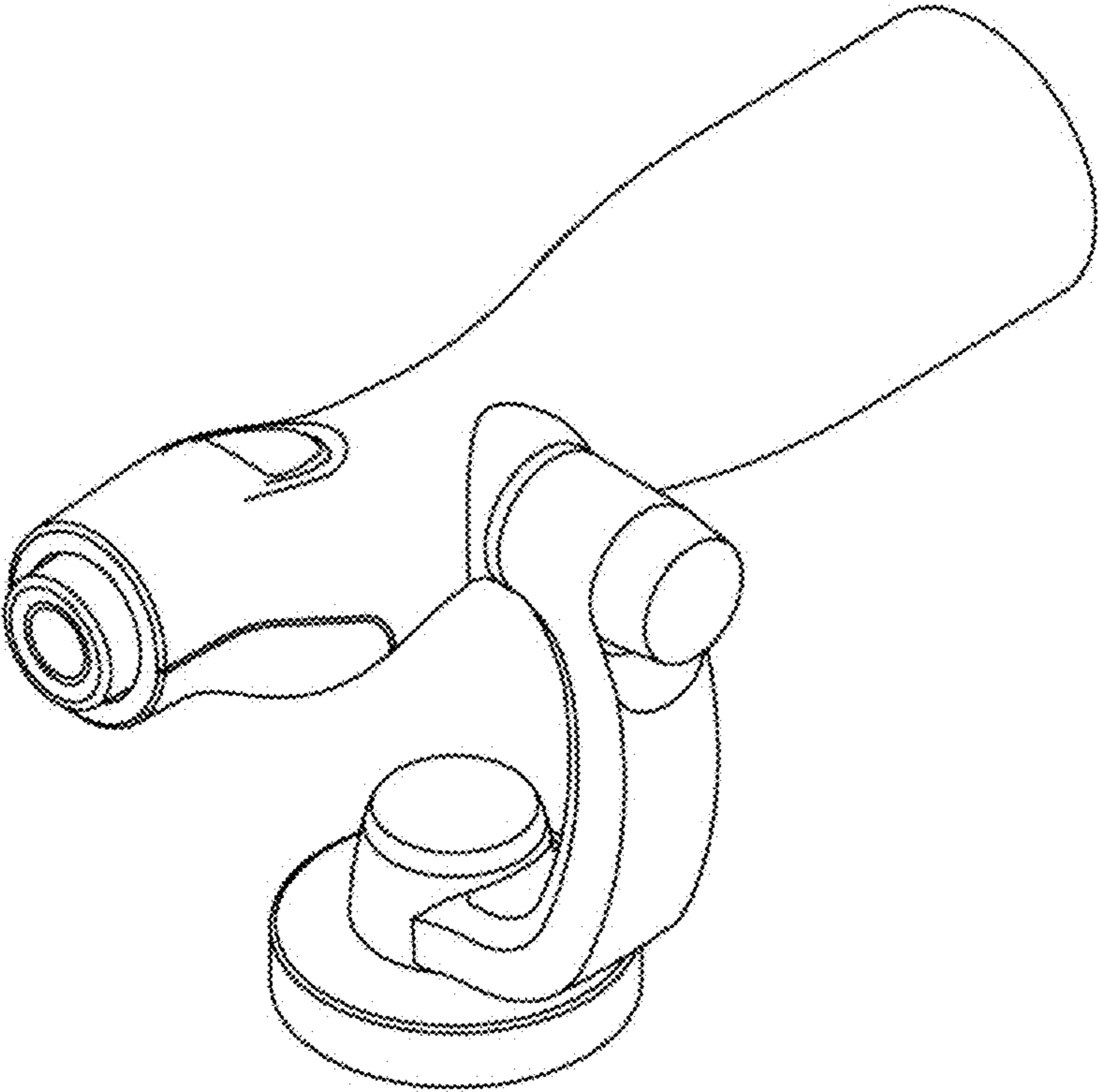


1.7

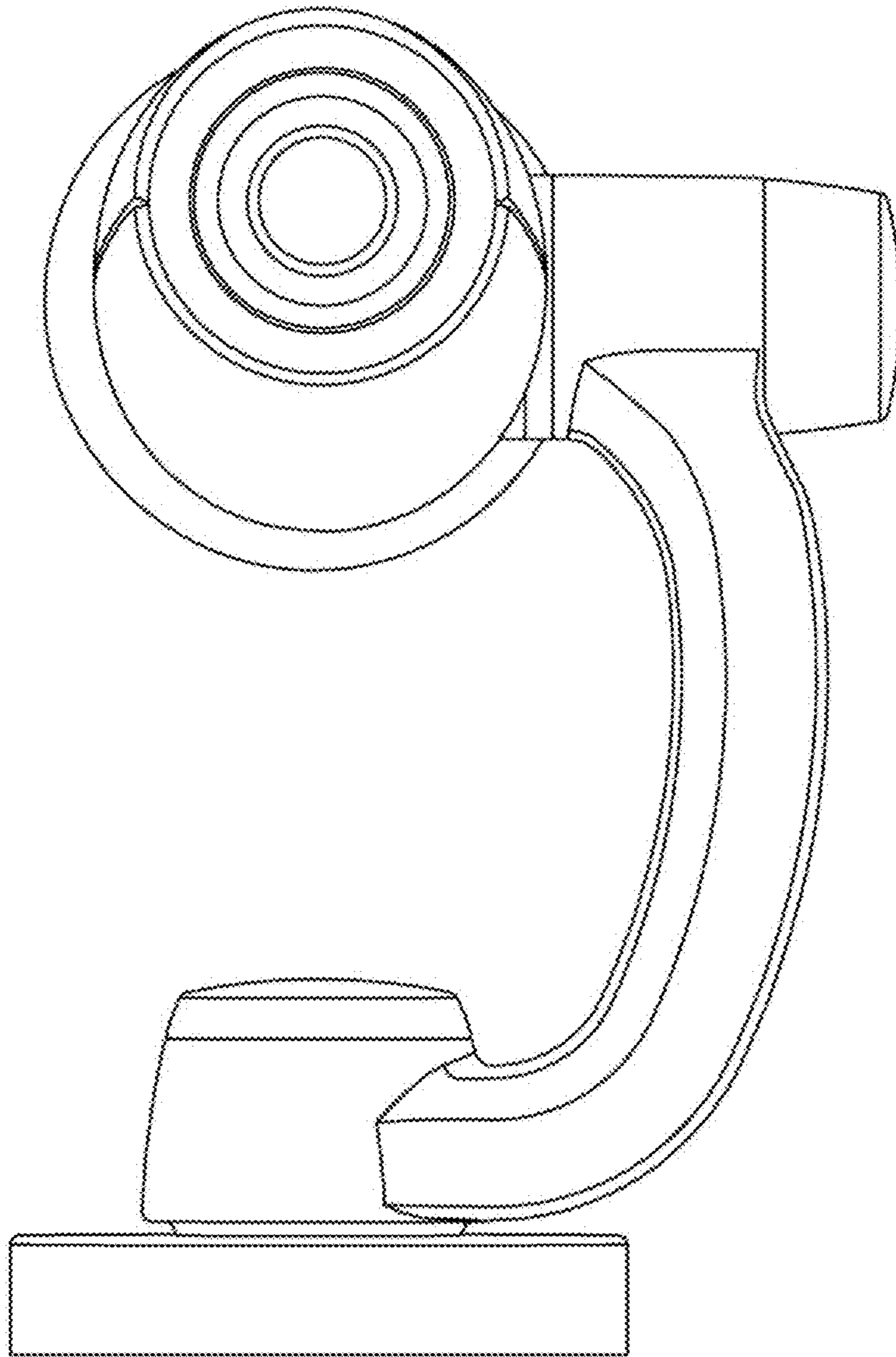




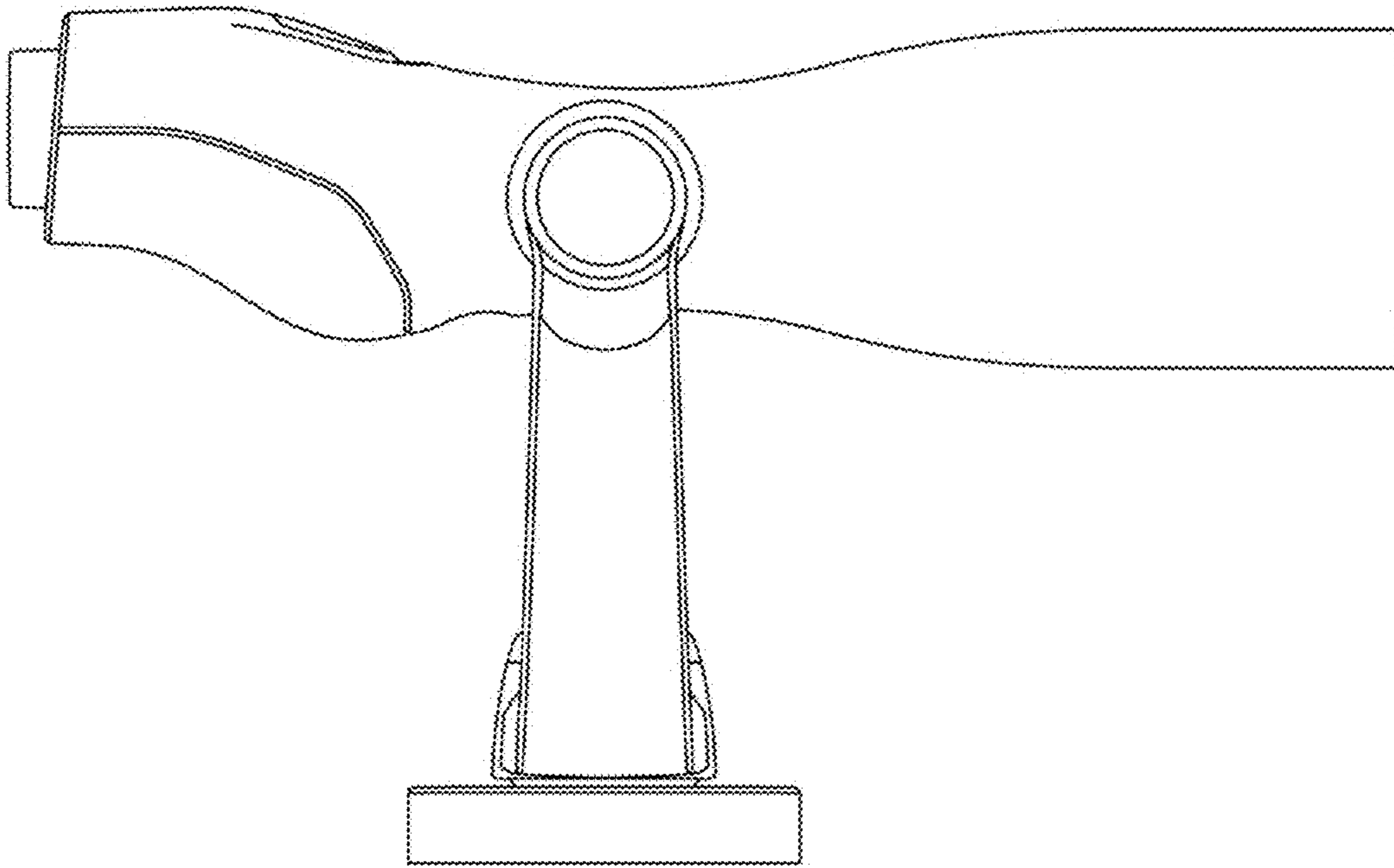
5.1



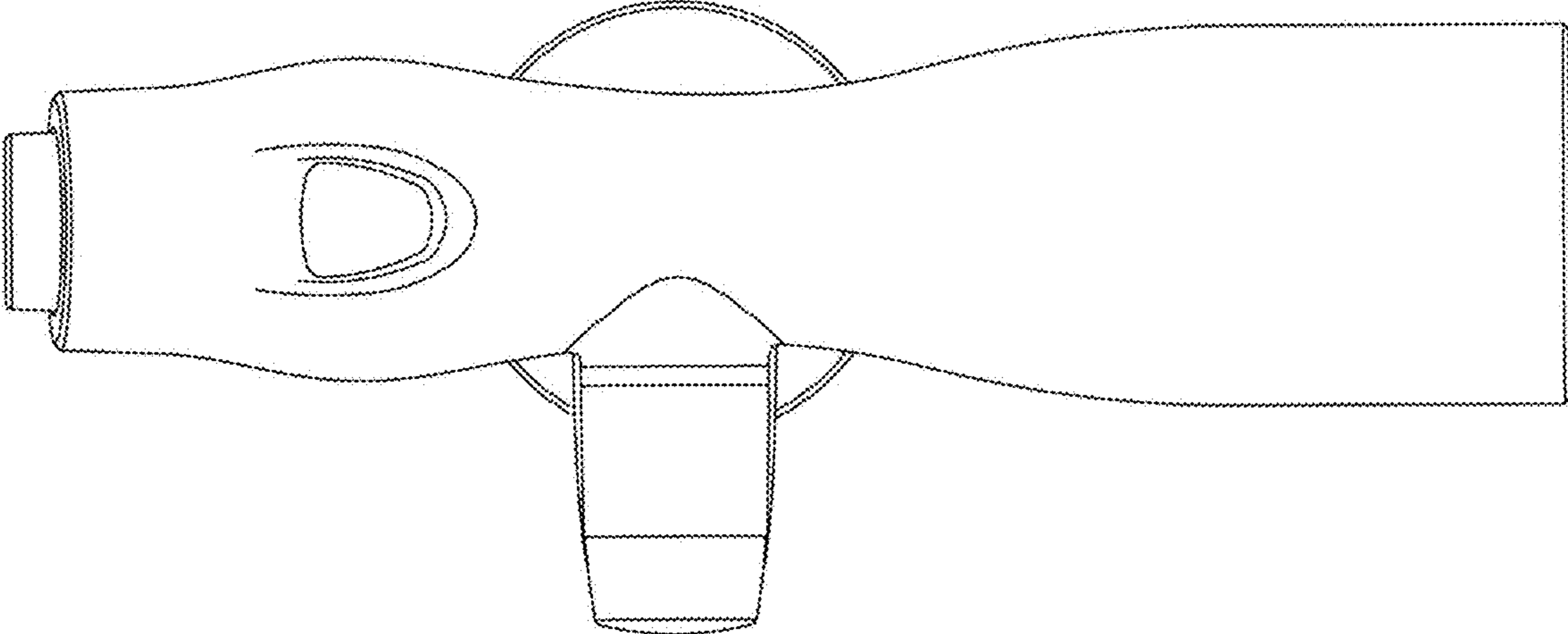
5.2



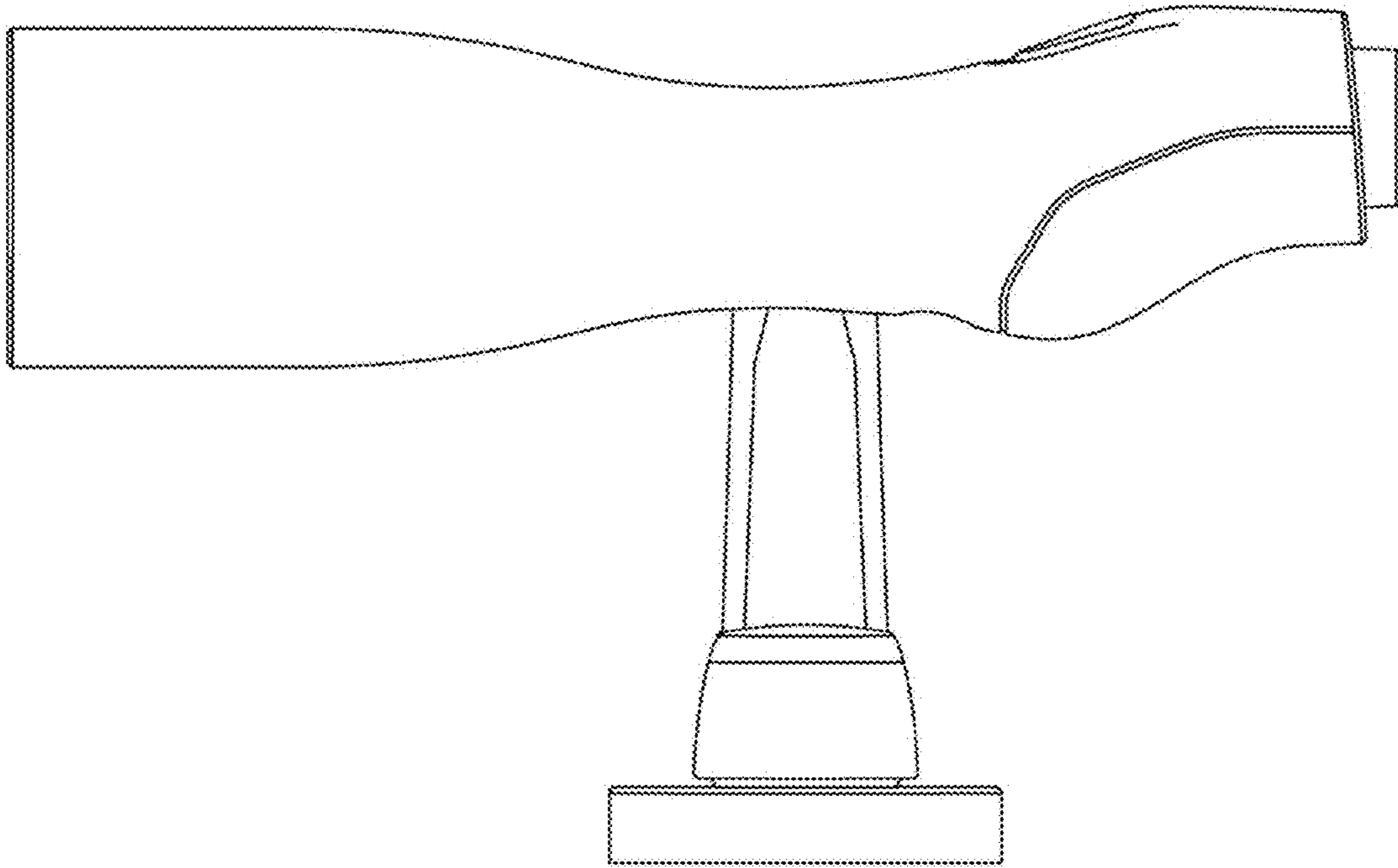
5.3



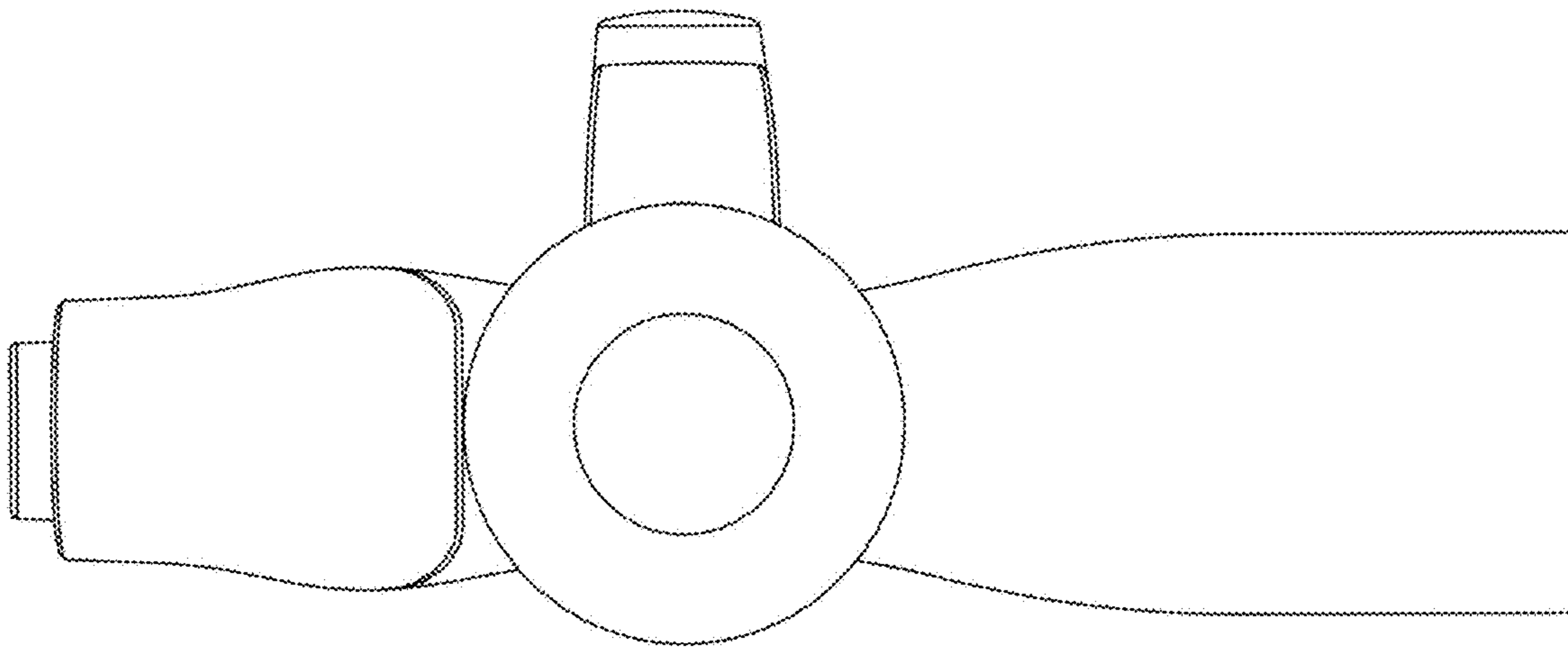
5.4



5.5



5.6



5.7

