

US00D860277S

(12) **United States Design Patent**  
**Chang**

(10) **Patent No.:** **US D860,277 S**

(45) **Date of Patent:** **\*\* Sep. 17, 2019**

(54) **BATTERY-TYPE VACUUM-PUMPING  
DEVICE**

(71) Applicant: **Welcome Co., Ltd.**, New Taipei (TW)

(72) Inventor: **Richard Chang**, New Taipei (TW)

(73) Assignee: **WELCOME CO., LTD.**, New Taipei  
(TW)

(\*\*) Term: **15 Years**

(21) Appl. No.: **29/631,936**

(22) Filed: **Jan. 4, 2018**

(51) **LOC (12) Cl.** ..... **15-99**

(52) **U.S. Cl.**  
USPC ..... **D15/146**

(58) **Field of Classification Search**  
USPC ..... D7/609; D8/49, 50, 105; D14/172, 186,  
D14/203.3, 204, 299, 496; D15/145, 146;  
D18/50, 51, 53, 54  
CPC ..... B65B 31/046; B29C 65/223; B29C  
66/00145; B29C 66/43121; B29C 66/849  
See application file for complete search history.

(56) **References Cited**

**U.S. PATENT DOCUMENTS**

D616,420 S *	5/2010	Morimoto .....	D14/216
D644,206 S *	8/2011	Ponnert .....	D14/216
D687,017 S *	7/2013	Ashcraft .....	D14/216
D697,496 S *	1/2014	Ashcraft .....	D14/216
D718,279 S *	11/2014	Yoon .....	D14/215
D718,335 S *	11/2014	Lee .....	D14/203.1
D722,595 S *	2/2015	Mackiewicz .....	D14/216
D725,076 S *	3/2015	Wong .....	D14/216
D725,077 S *	3/2015	Wong .....	D14/216
D754,630 S *	4/2016	Paterson .....	D14/204

D755,155 S *	5/2016	Paterson .....	D14/204
D765,618 S *	9/2016	Alves .....	D14/216
D766,213 S *	9/2016	Hinokio .....	D14/216
D778,956 S *	2/2017	Langhammer .....	D14/203.1
D781,918 S *	3/2017	Langhammer .....	D14/203.1
D810,134 S *	2/2018	Langhammer .....	D14/496
D810,135 S *	2/2018	Langhammer .....	D14/496
D811,368 S *	2/2018	Fischer .....	D14/216
D813,201 S *	3/2018	Shin .....	D14/216
D813,213 S *	3/2018	Honda .....	D14/240
D831,002 S *	10/2018	Distefano .....	D14/216
2003/0131566 A1 *	7/2003	Glucksman .....	B65B 31/028 53/432

\* cited by examiner

*Primary Examiner* — Garth Rademaker

*Assistant Examiner* — Fritzgerald L Butac

(74) *Attorney, Agent, or Firm* — Bacon & Thomas, PLLC

(57) **CLAIM**

The ornamental design for the battery-type vacuum-pumping device, as shown and described.

**DESCRIPTION**

FIG. 1 is a top, front, and left perspective view of a battery-type vacuum-pumping device showing our new design;

FIG. 2 is a front side view thereof;

FIG. 3 is a rear side view thereof;

FIG. 4 is a left side view thereof;

FIG. 5 is a right side view thereof;

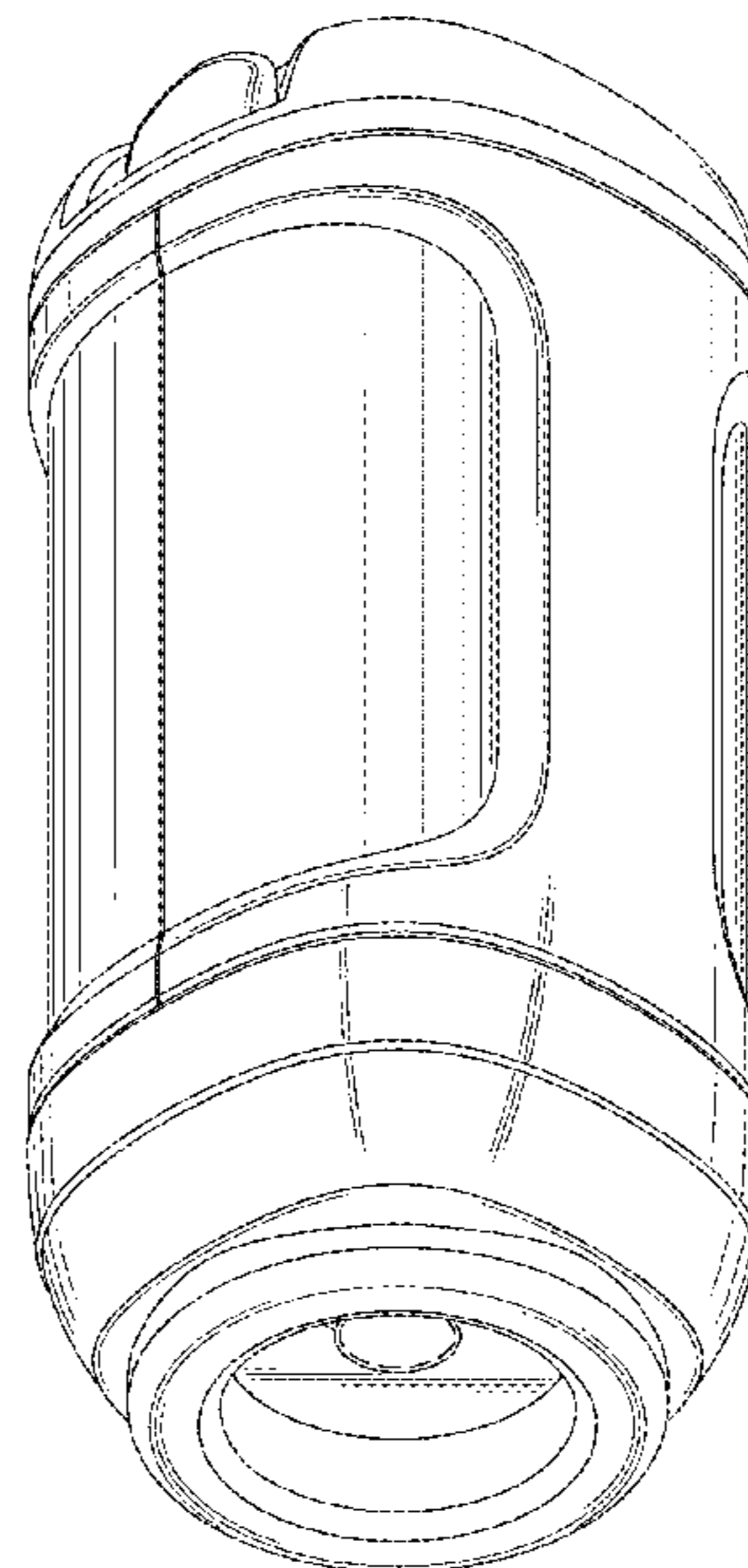
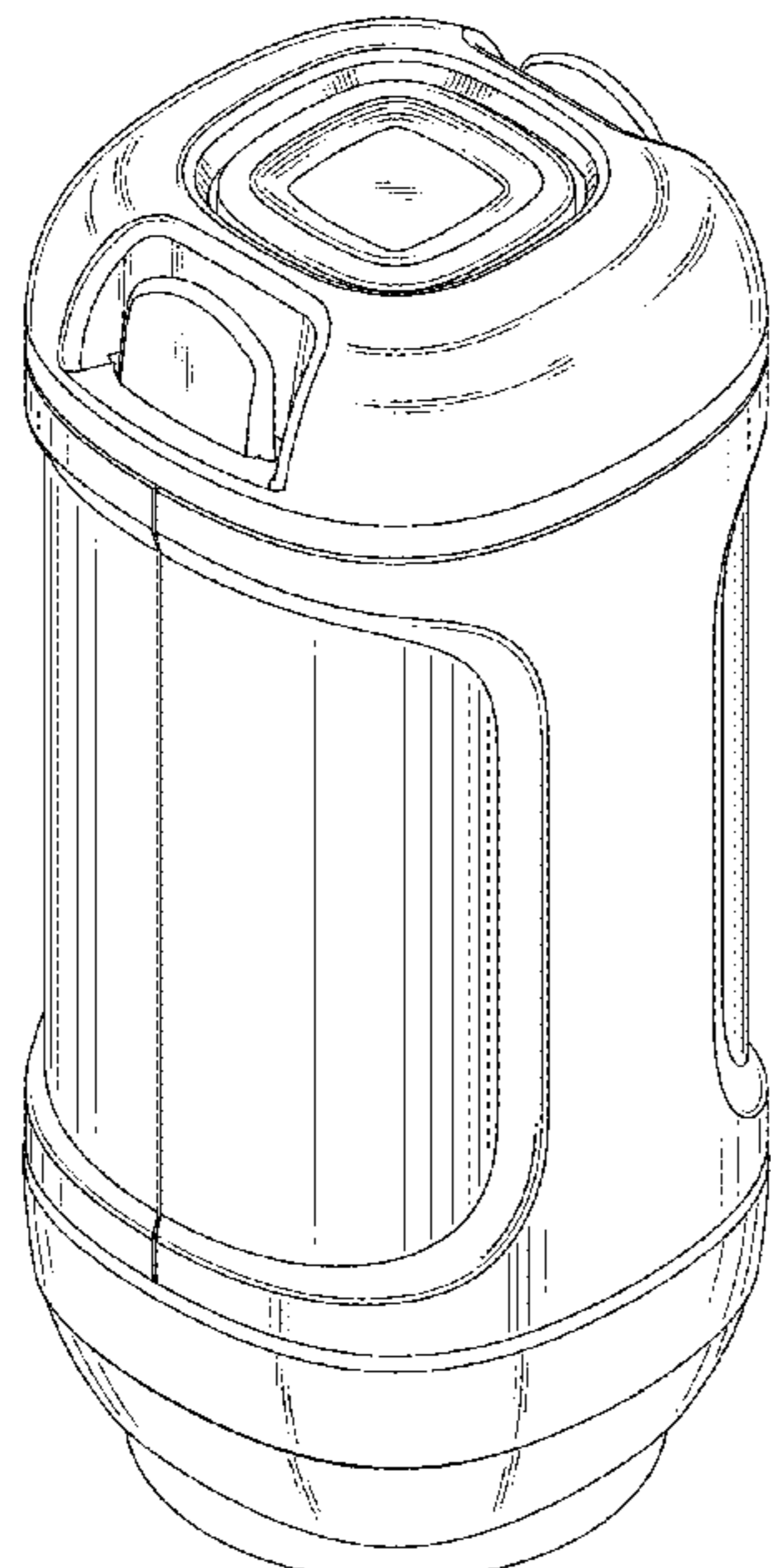
FIG. 6 is a top plan view thereof;

FIG. 7 is a bottom plan view thereof; and,

FIG. 8 is a bottom, front, and left perspective view thereof.

The broken line show portions of a battery-type vacuum-pumping device that form no part of the claimed design.

**1 Claim, 7 Drawing Sheets**



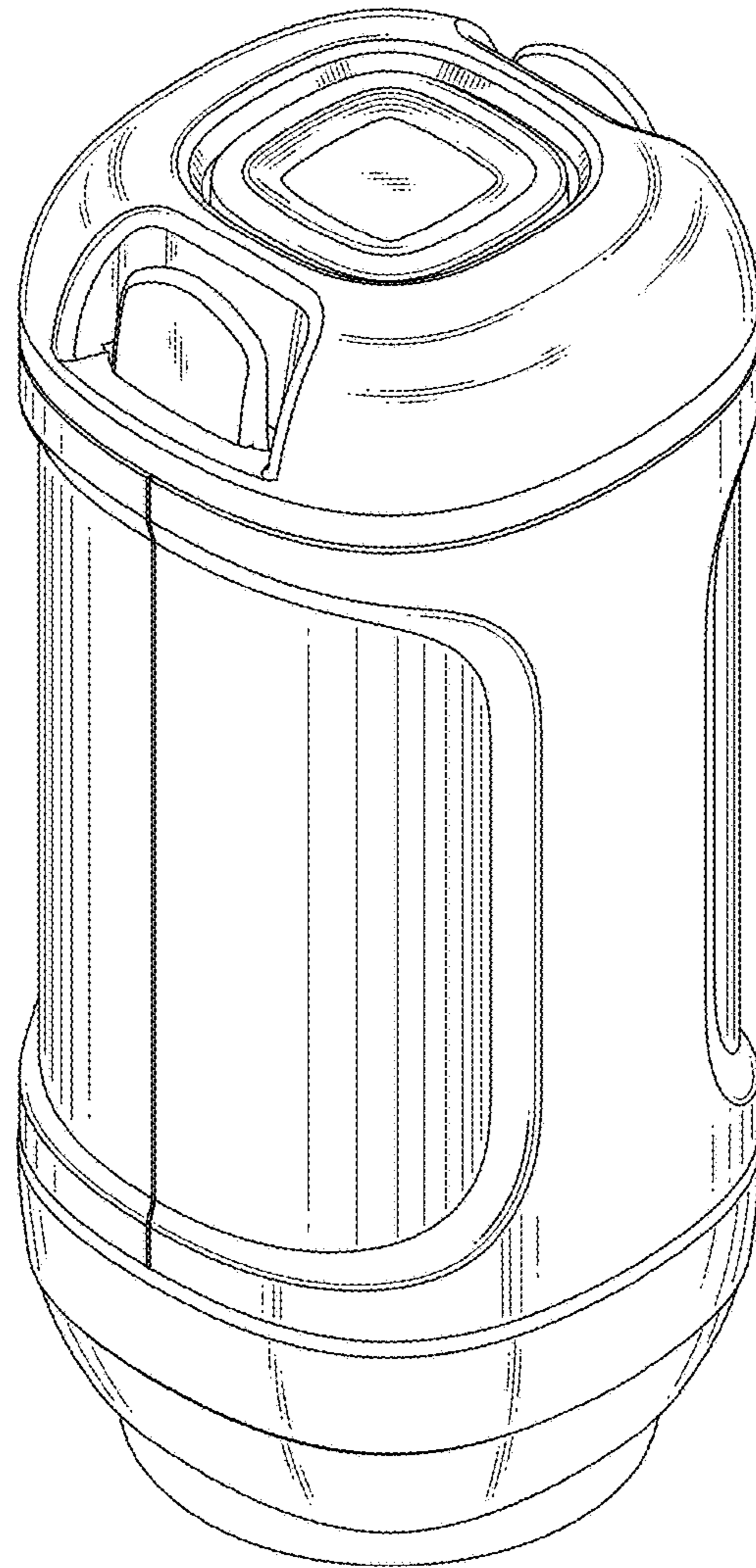


FIG. 1

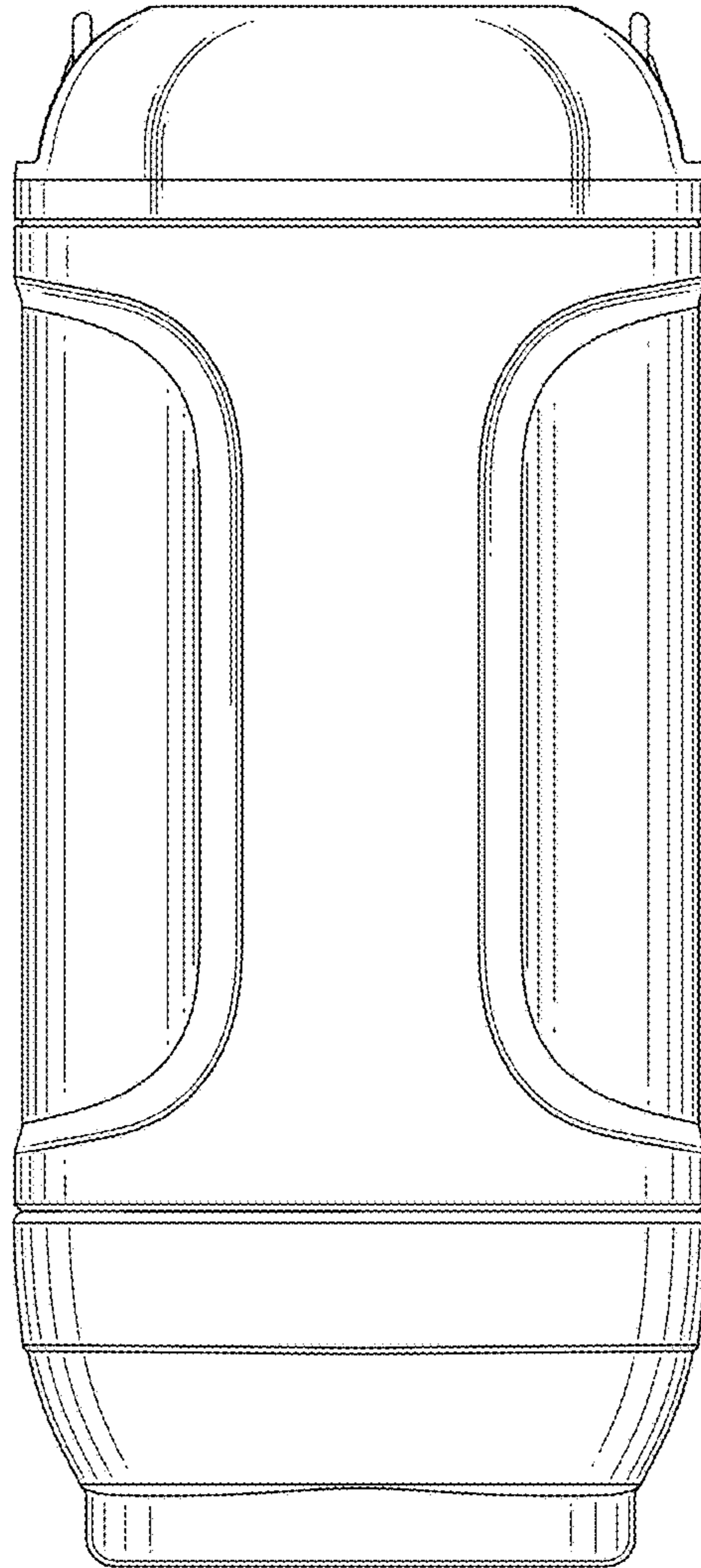


FIG. 2

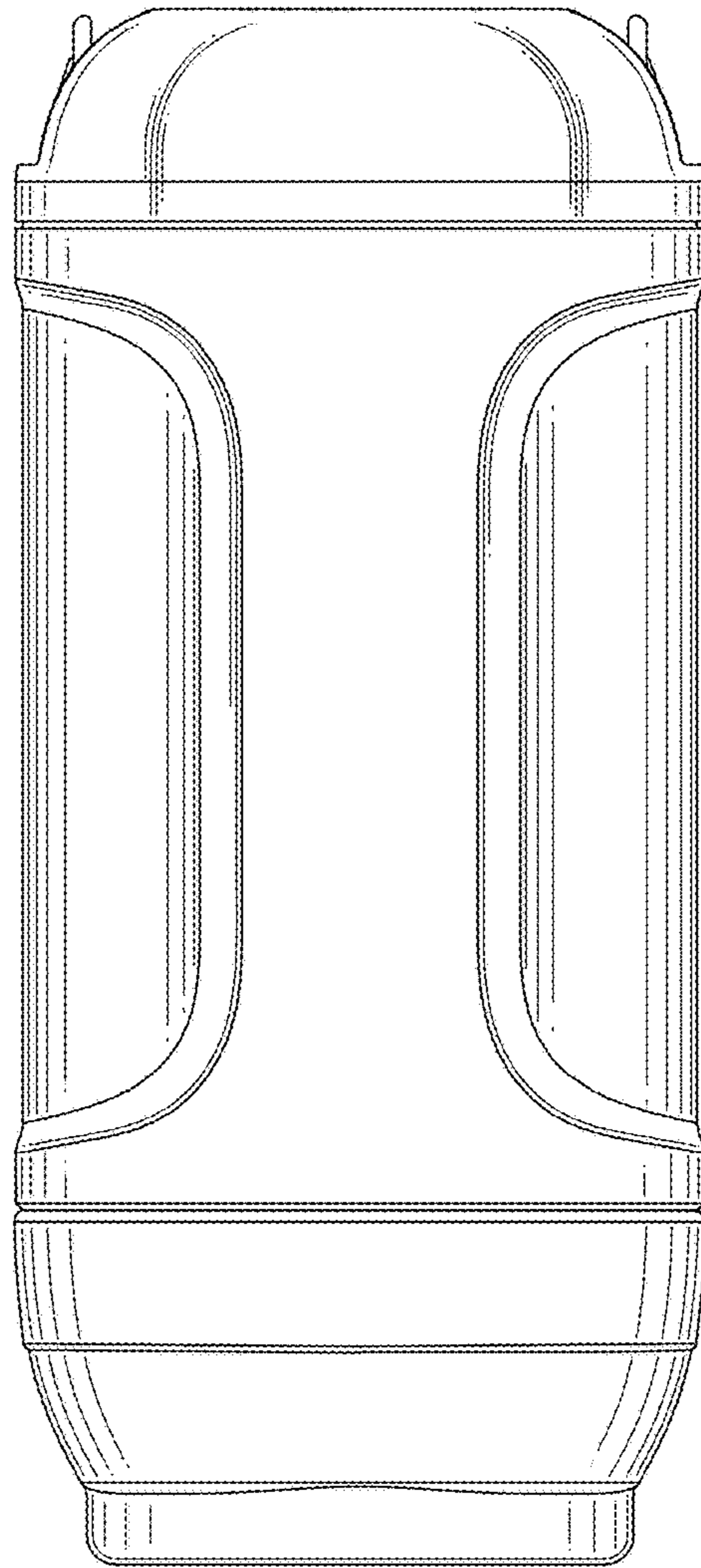


FIG. 3

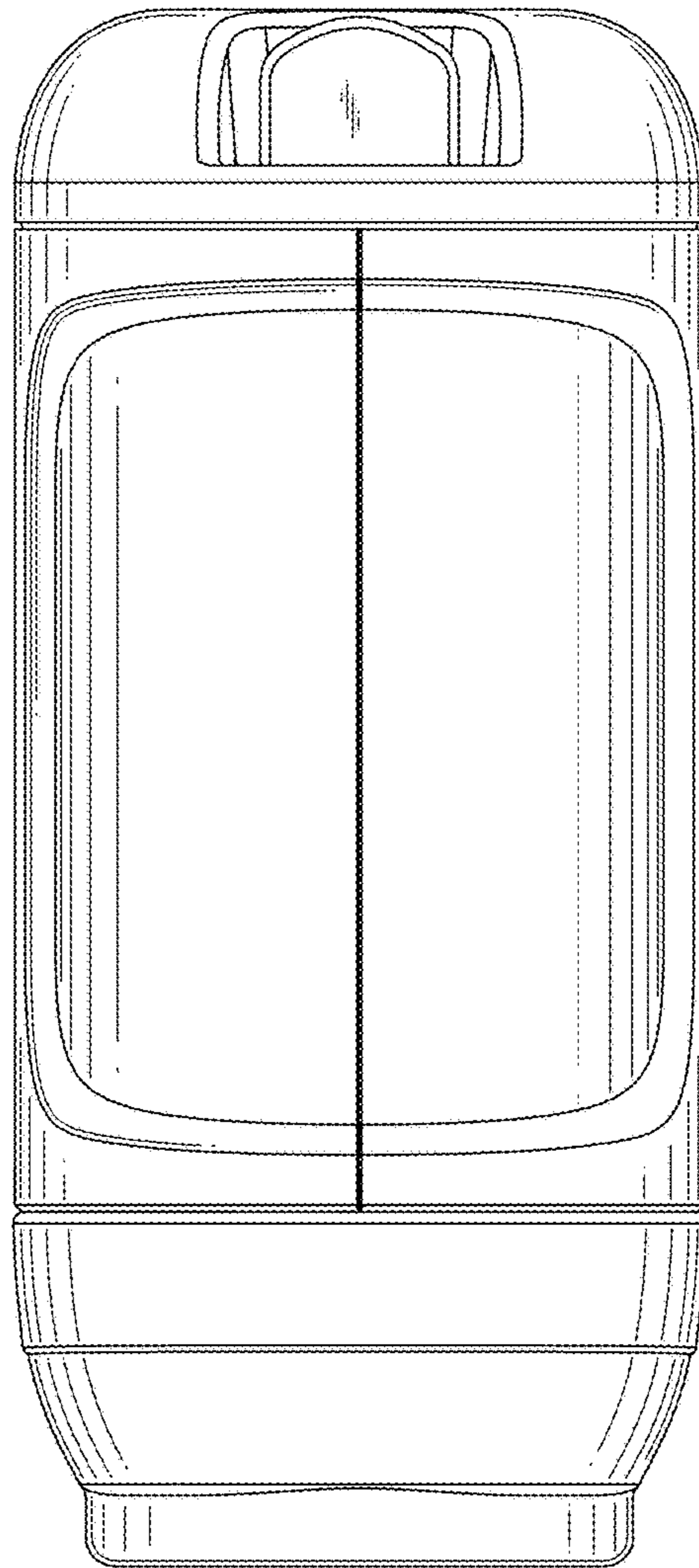


FIG. 4

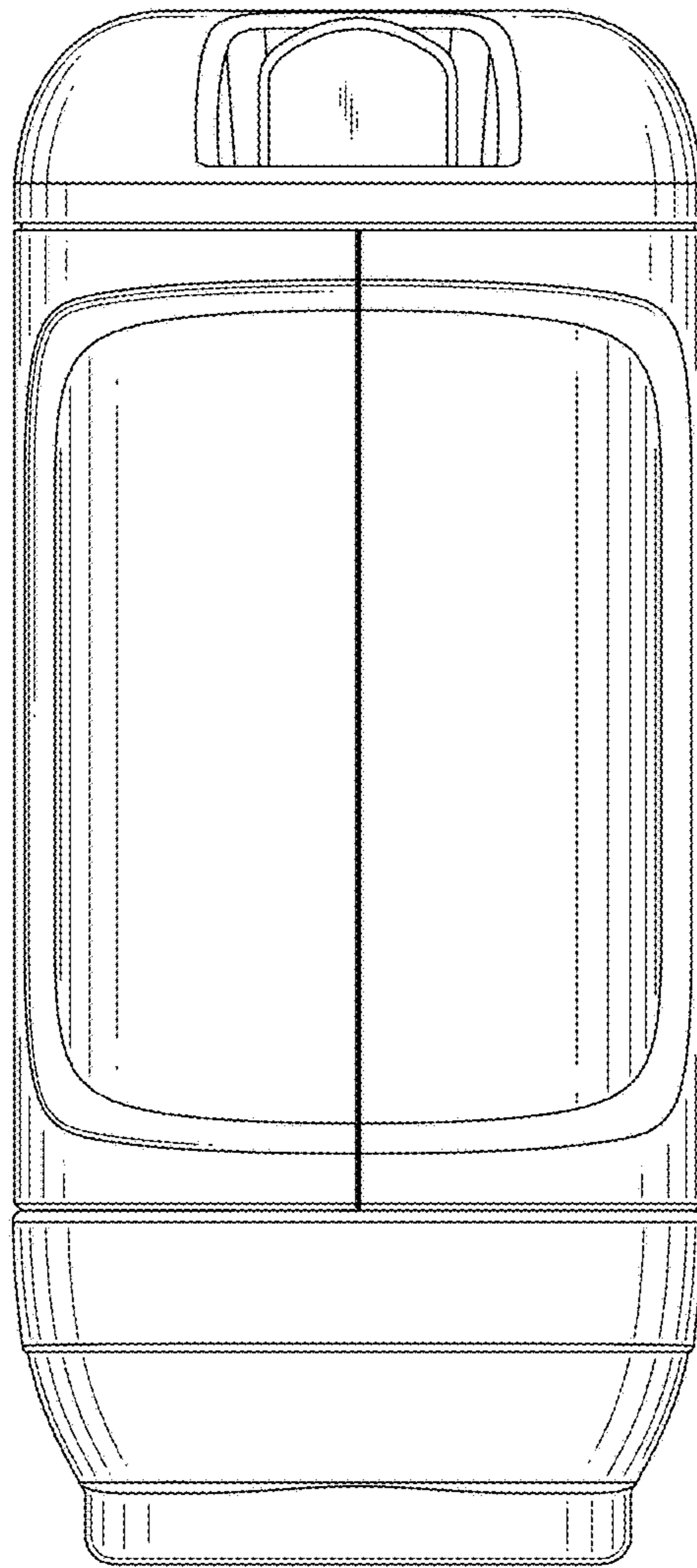


FIG. 5

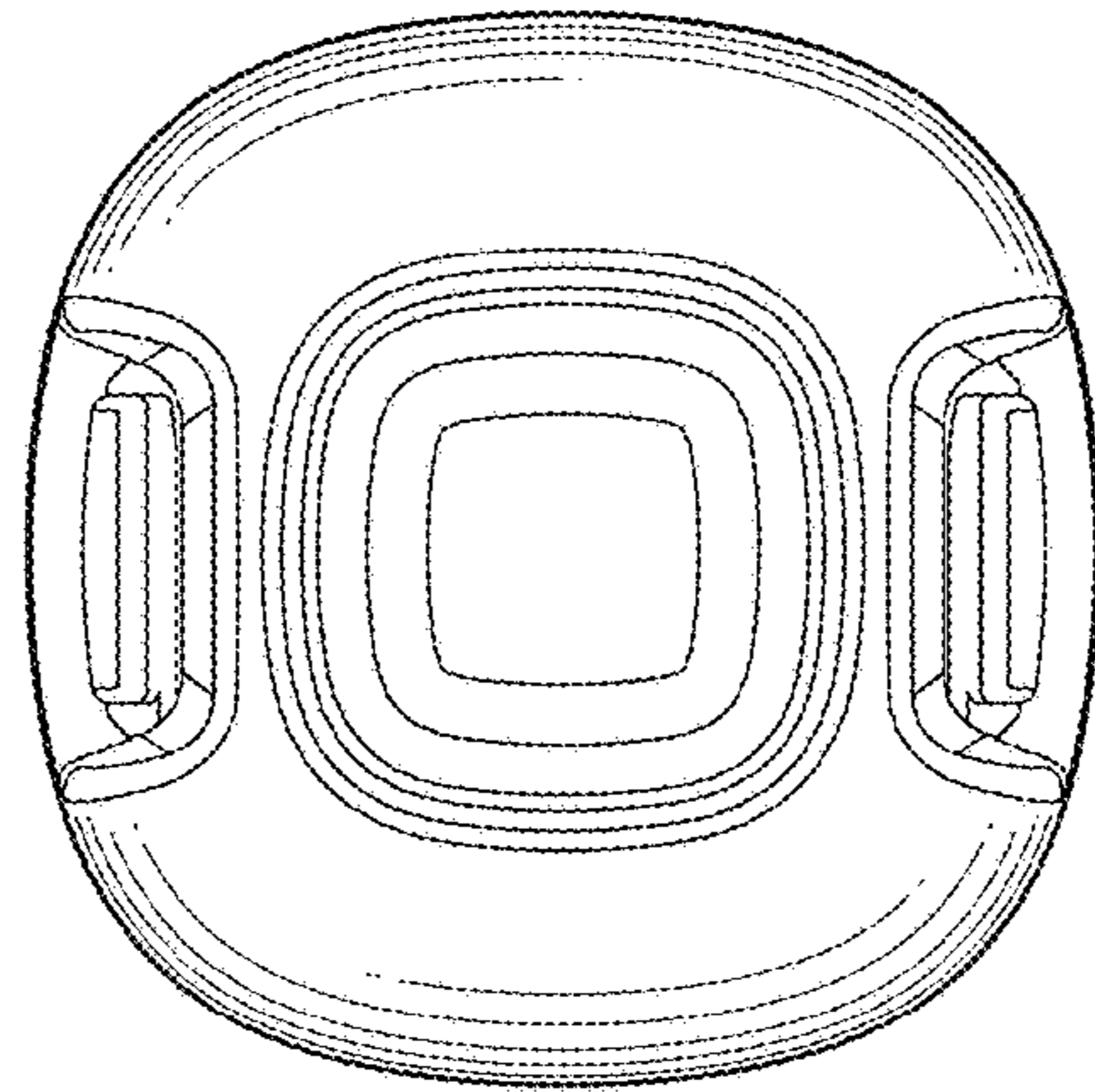


FIG. 6

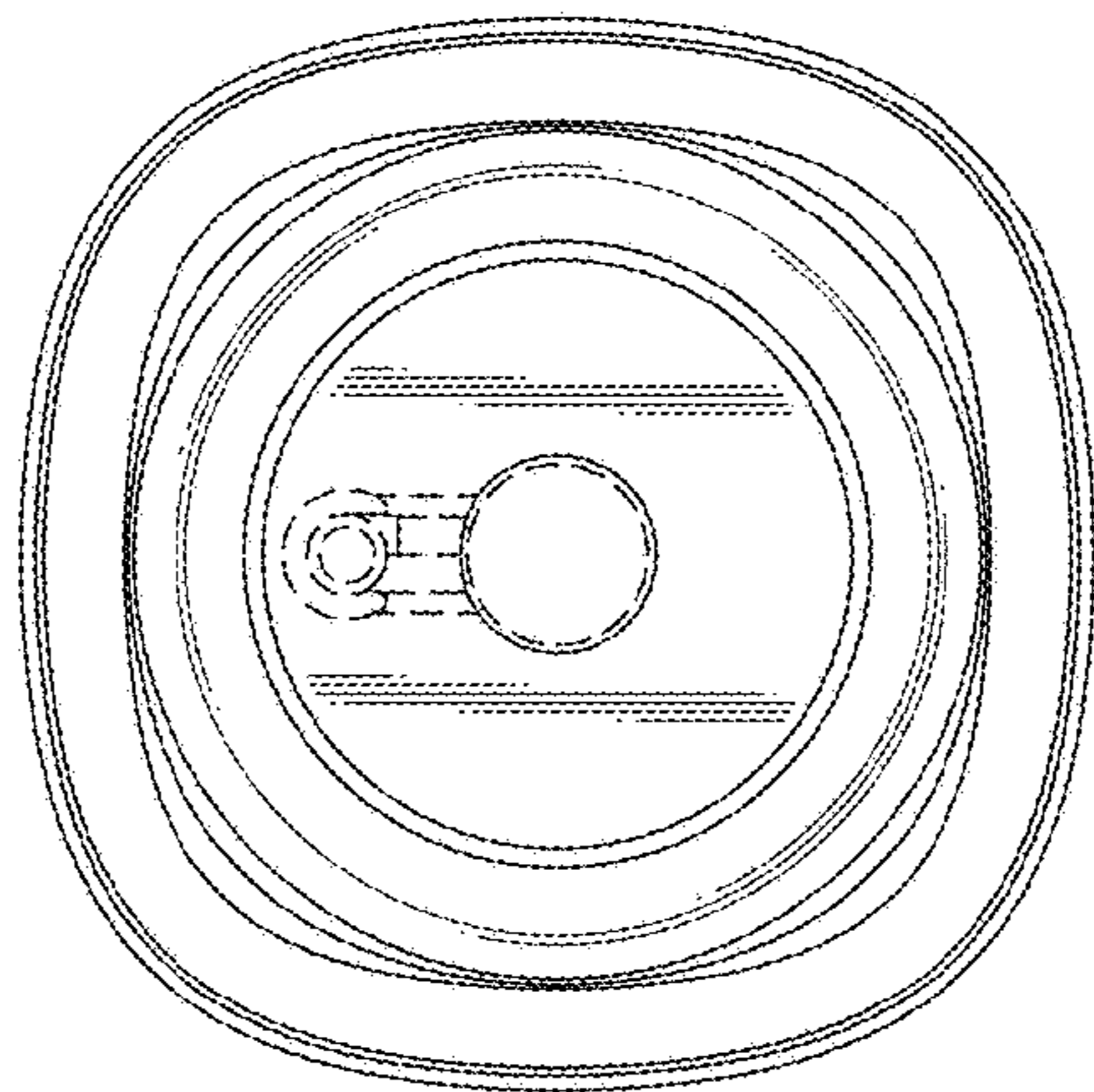


FIG. 7

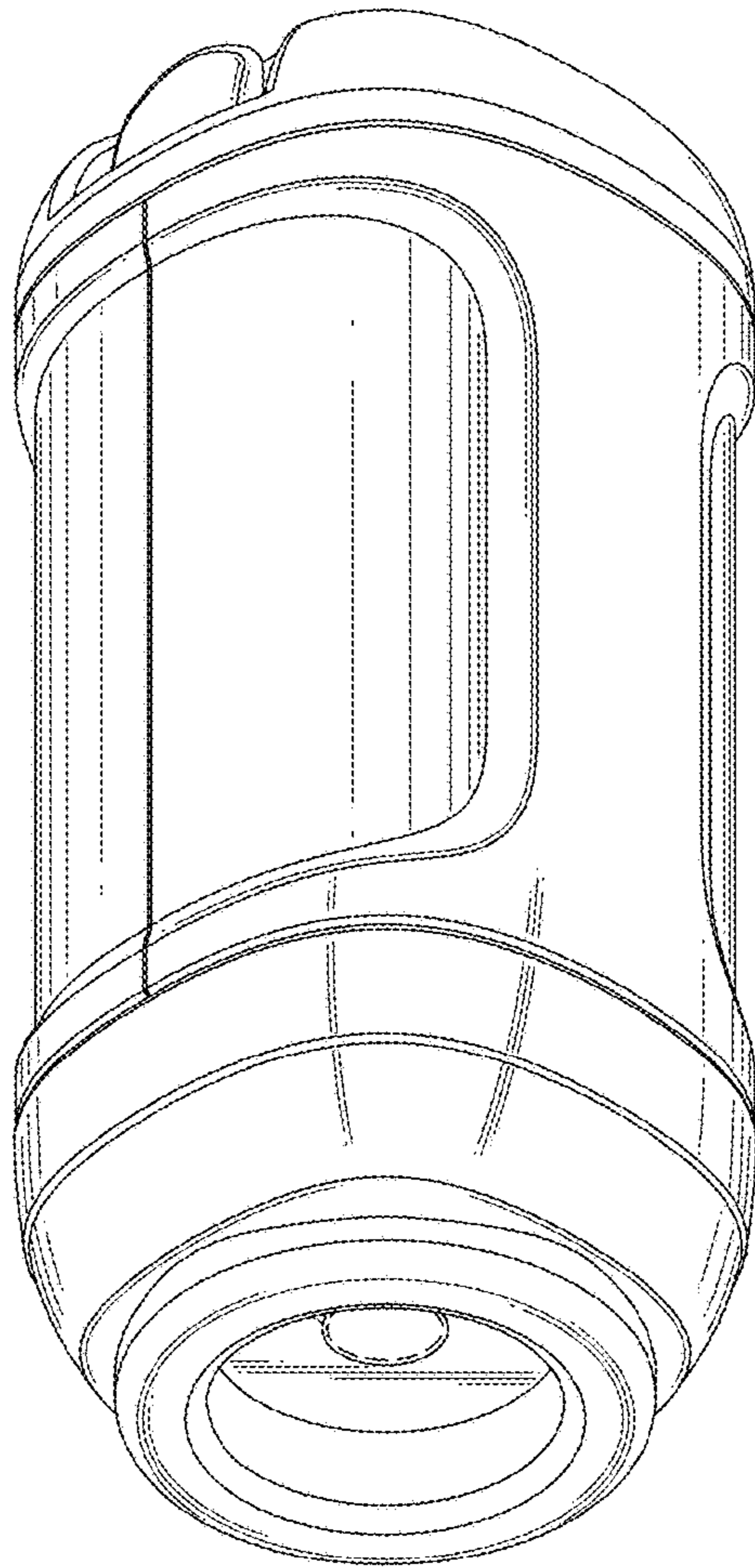


FIG. 8