

US00D860272S

(12) **United States Design Patent** (10) **Patent No.:** **US D860,272 S**  
**Conley** (45) **Date of Patent:** **\*\* Sep. 17, 2019**

(54) **CHOP SAW**

(56) **References Cited**

(71) Applicant: **EVOLUTION POWER TOOLS LTD,**  
South Yorkshire (GB)

U.S. PATENT DOCUMENTS

(72) Inventor: **Matthew Conley,** Sheffield (GB)

D409,066	S	*	5/1999	Welsh	.....	D8/66
D415,001	S	*	10/1999	Welsh	.....	D15/133
D420,021	S	*	2/2000	Higuchi	.....	D15/133
D479,252	S	*	9/2003	Ozawa	.....	D15/133
D520,031	S	*	5/2006	Wikle	.....	D15/133
D550,729	S	*	9/2007	Wikle	.....	D15/133
D567,831	S	*	4/2008	Wikle	.....	D15/133
D599,385	S	*	9/2009	Pfaff	.....	D15/133
D609,726	S	*	2/2010	Windrich	.....	D15/133
D682,894	S	*	5/2013	Wright	.....	D15/133
D682,895	S	*	5/2013	Wright	.....	D15/133
D682,896	S	*	5/2013	Wright	.....	D15/133
8,522,657	B2	*	9/2013	Oohama	.....	B27B 5/188 83/471.3
D811,453	S	*	2/2018	Aoki	.....	D15/133
2001/0008098	A1	*	7/2001	Dibbern, Jr.	.....	B23D 45/042 83/471.3

(73) Assignee: **EVOLUTION POWER TOOLS LTD.**  
(GB)

(\*\*) Term: **15 Years**

(21) Appl. No.: **35/503,041**

(22) Filed: **Apr. 19, 2017**

(80) **Hague Agreement Data**

Int. Filing Date: **Mar. 17, 2017**  
Int. Reg. No.: **DM/096042**  
Int. Reg. Date: **Apr. 19, 2017**  
Int. Reg. Pub. Date: **May 26, 2017**

\* cited by examiner

*Primary Examiner* — Richard E Chilcot  
(74) *Attorney, Agent, or Firm* — James R. Foley; Clark Hill PLC

(30) **Foreign Application Priority Data**

Oct. 5, 2016 (GB) ..... 6001113  
Oct. 5, 2016 (GB) ..... 6001114

(57) **CLAIM**

The ornamental design for a chop saw, as shown and described.

(51) **LOC (12) Cl.** ..... **15-09**

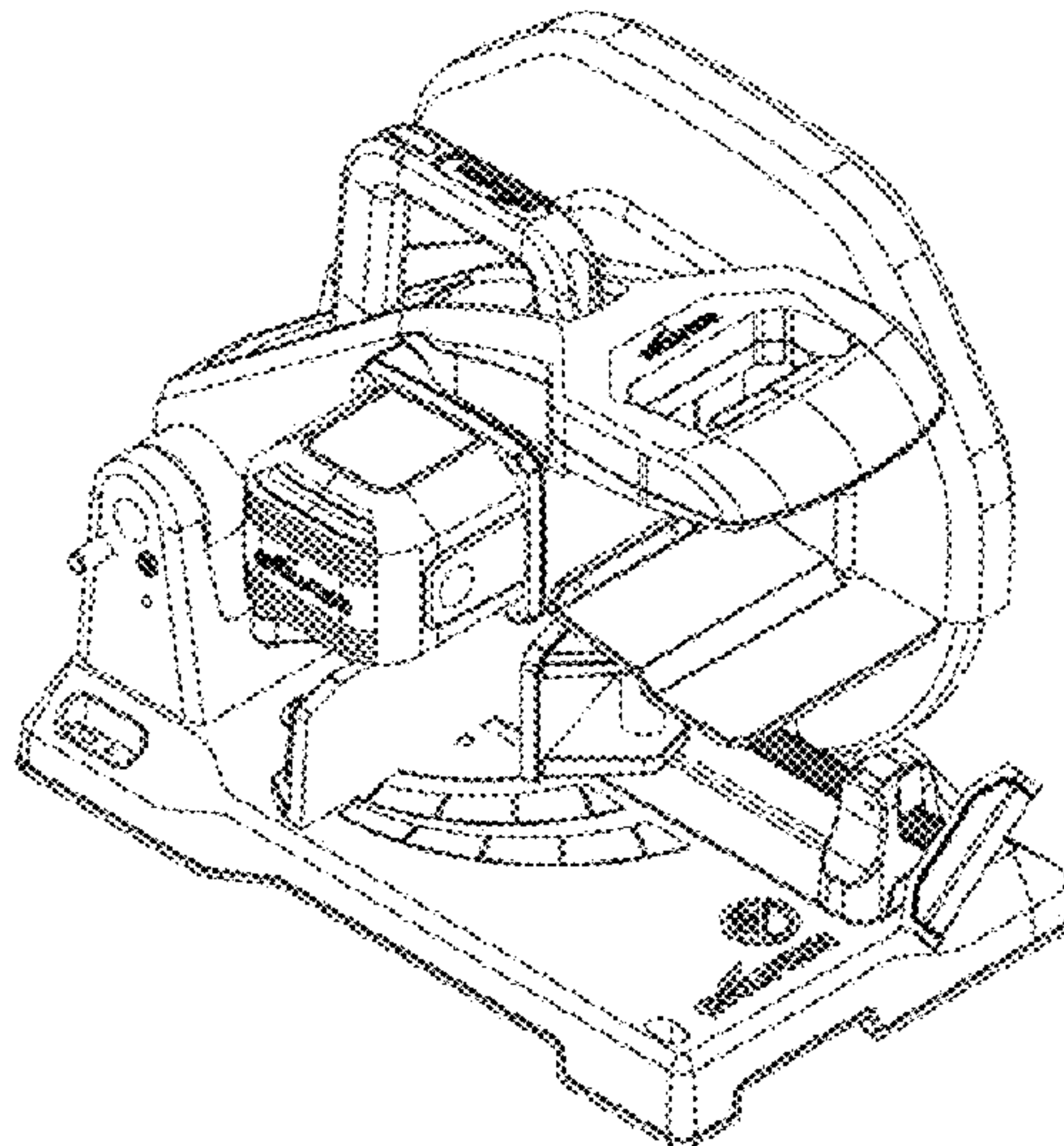
(52) **U.S. Cl.**  
USPC ..... **D15/133; D8/66; D8/67**  
CPC ..... **B23D 45/042 (2013.01)**

**DESCRIPTION**

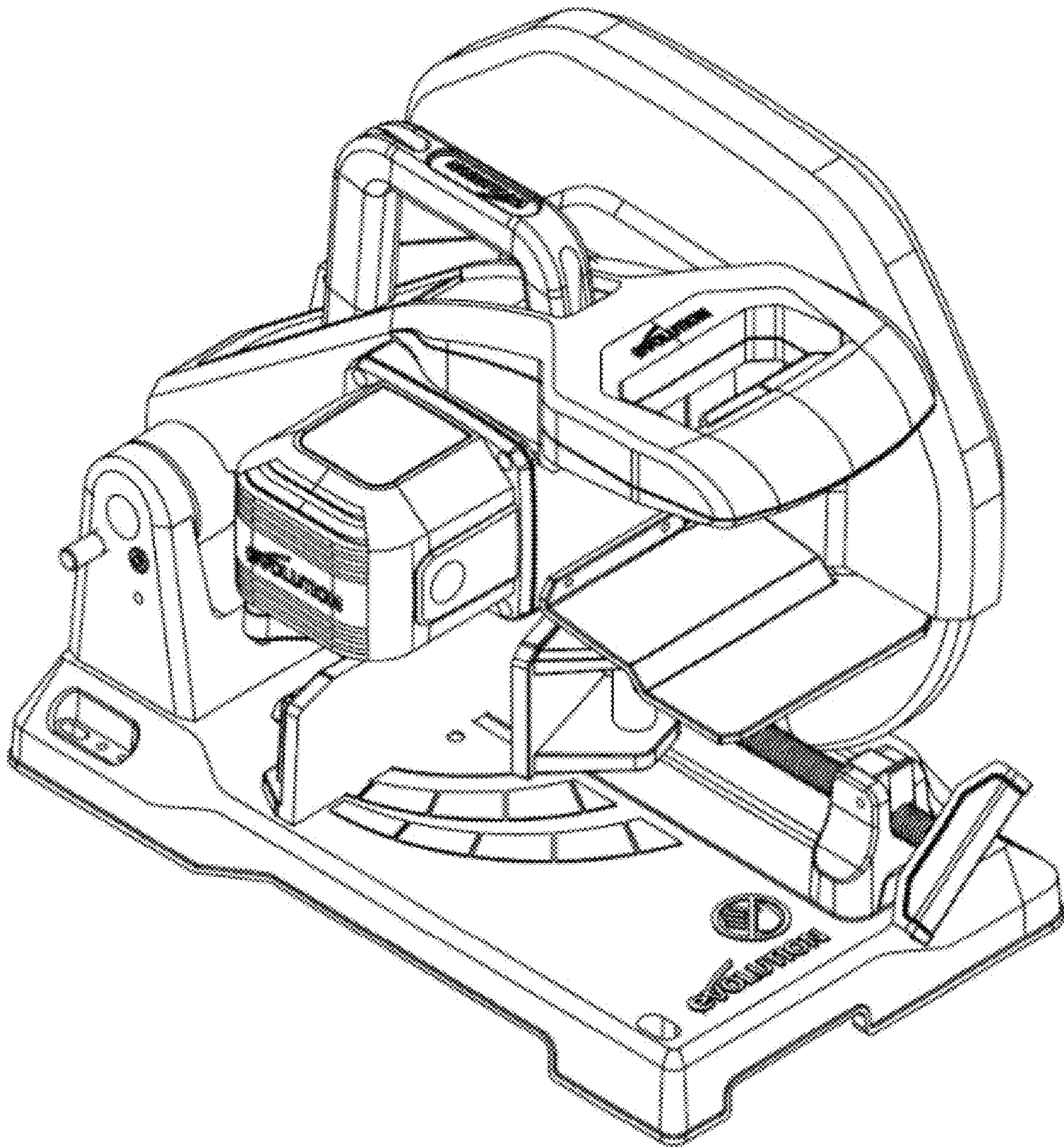
(58) **Field of Classification Search**  
USPC ..... D8/61-69; D15/133, 134; 30/377, 378,  
30/388-391; 83/377, 378, 388, 391,  
83/468.3, 469  
CPC ..... B23D 45/042  
See application file for complete search history.

2.1-2.7: Chop saws  
FIG. 2.1 is a perspective view of the chop saw;  
FIG. 2.2 is a front view thereof;  
FIG. 2.3 is a back view thereof;  
FIG. 2.4 is a top view thereof;  
FIG. 2.5 is a left side view thereof;  
FIG. 2.6 is a right side view thereof; and,  
FIG. 2.7 is an alternate perspective view thereof.

**1 Claim, 7 Drawing Sheets**

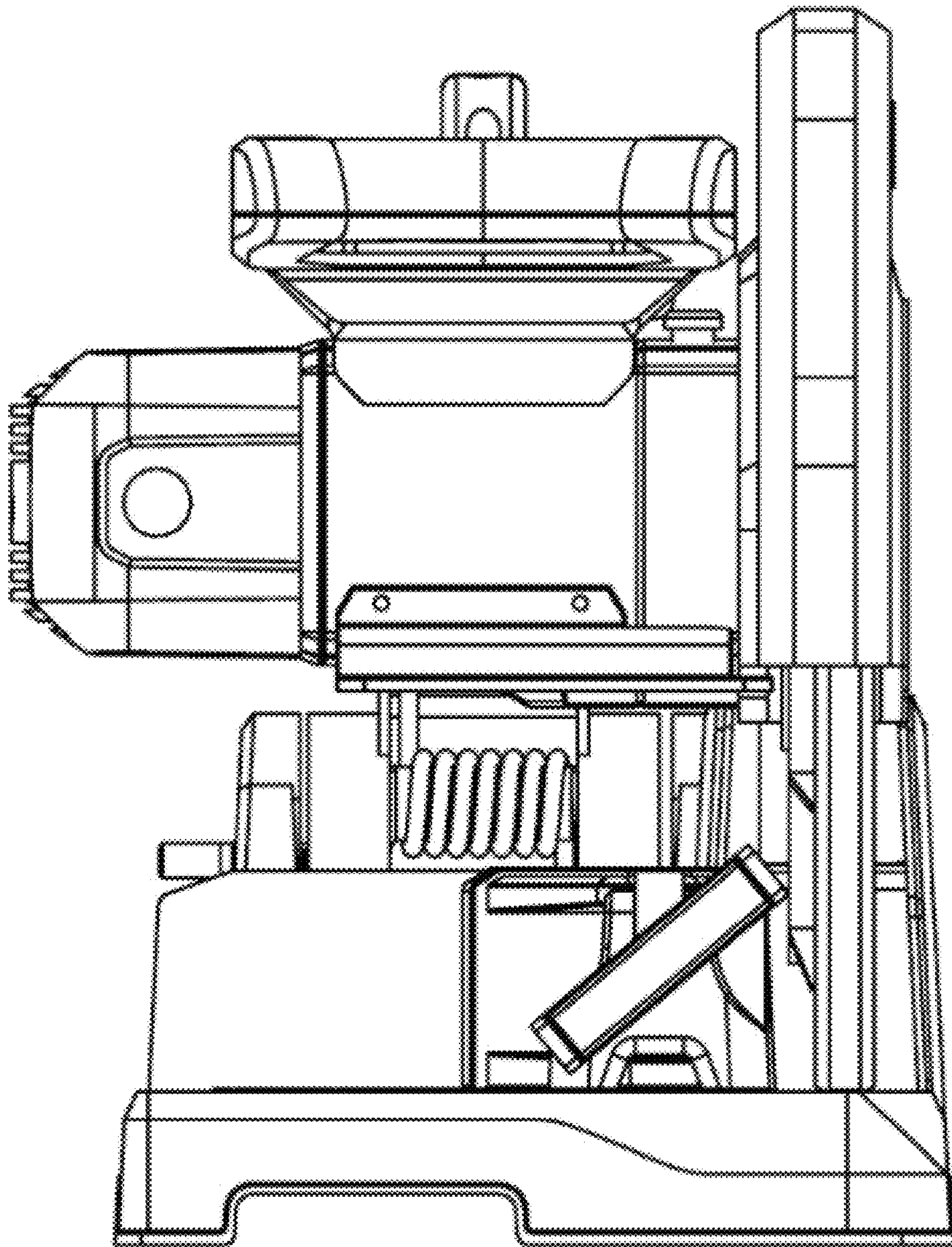


# 2.1

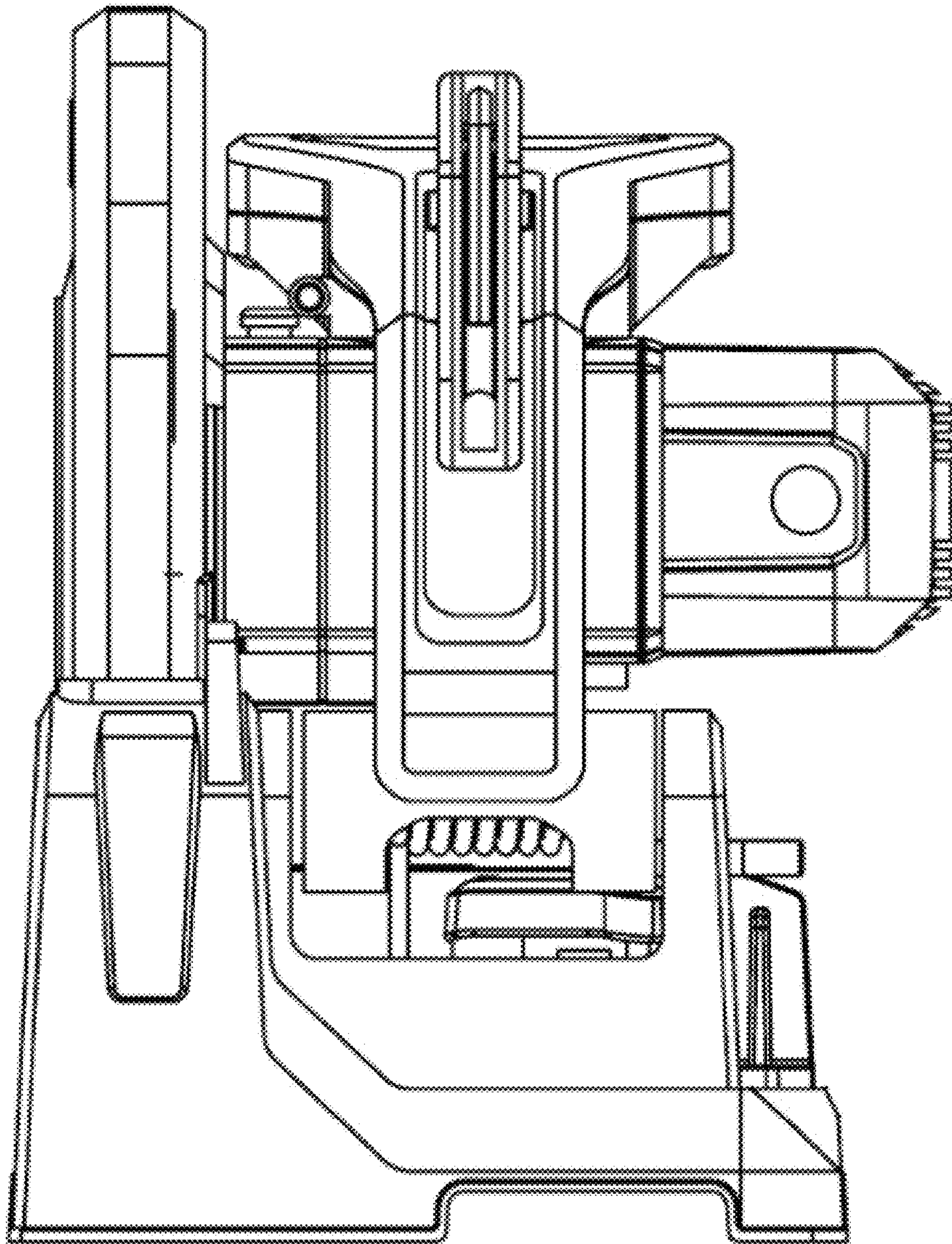




# 2.2

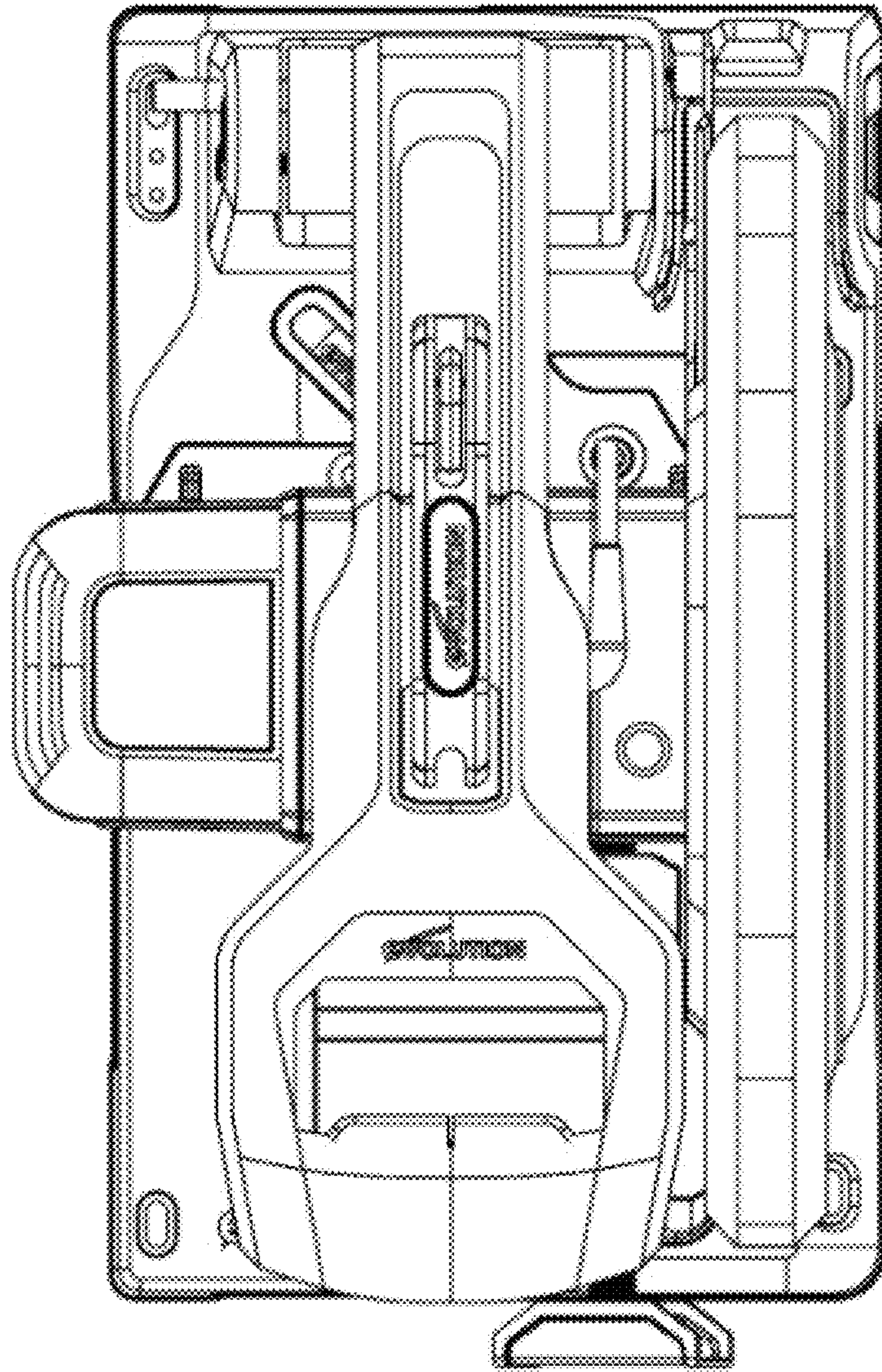


# 2.3

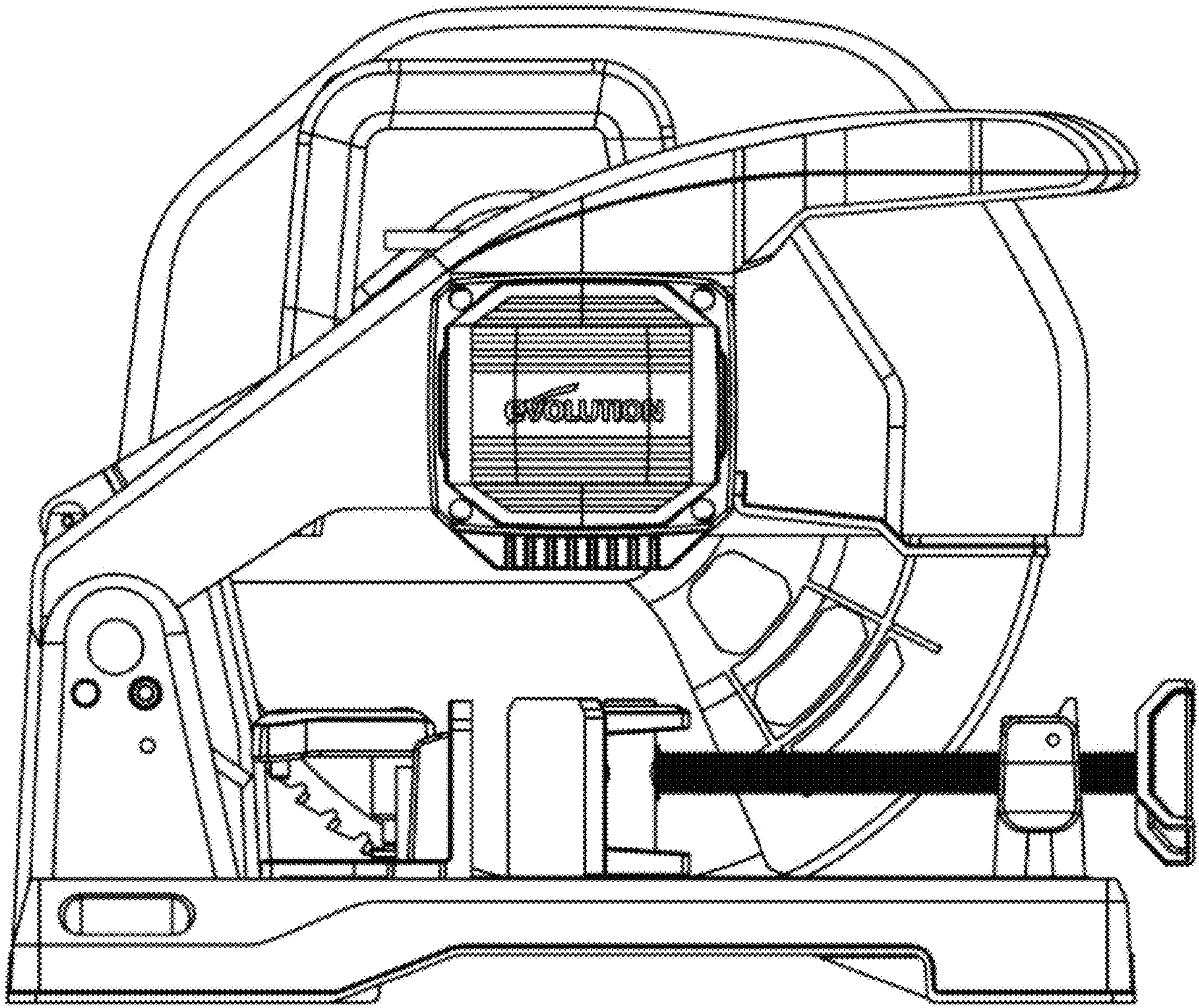




# 2.4

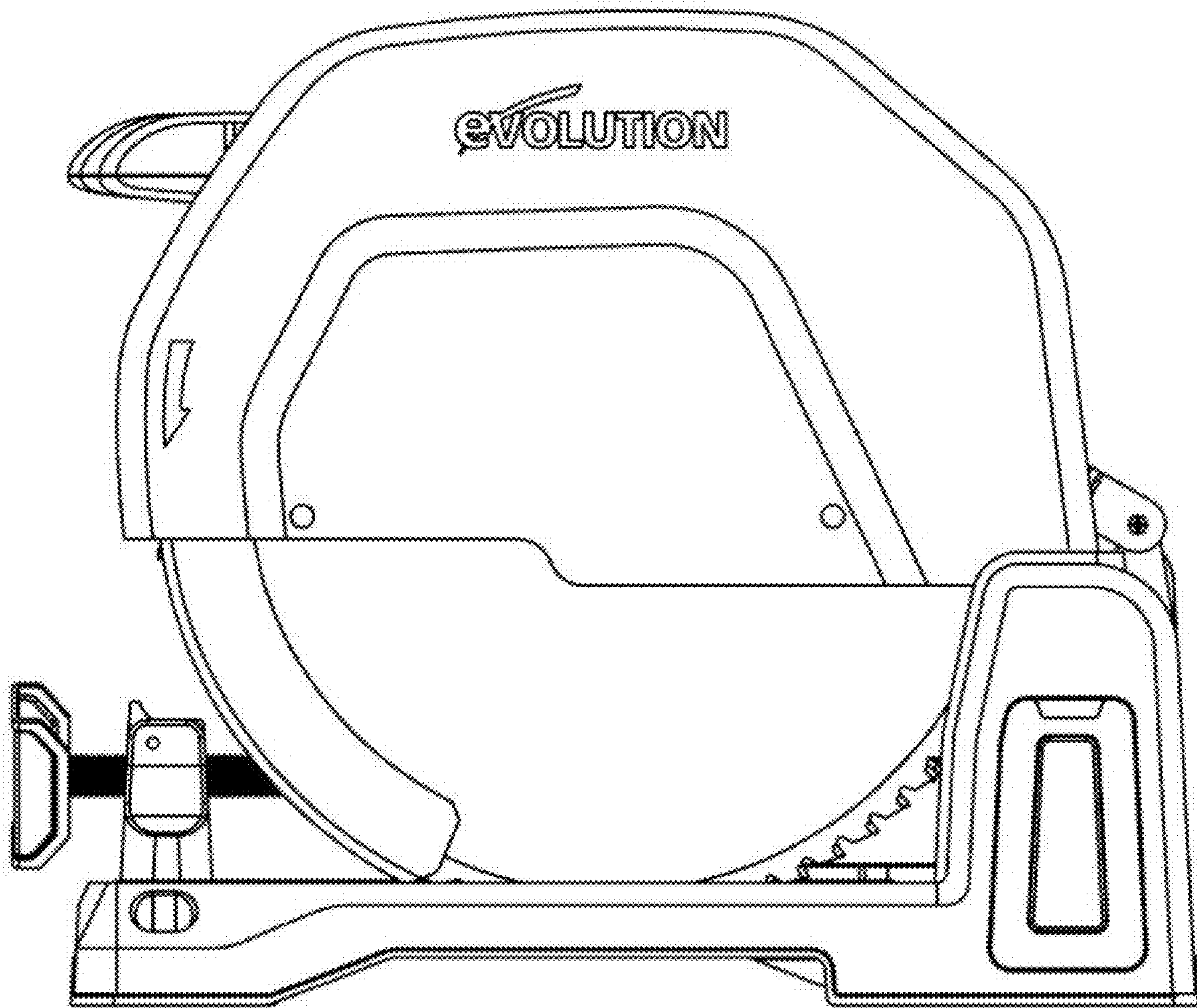


2.5





2.6



2.7

