



US00D860268S

(12) **United States Design Patent**
Jakobsen

(10) **Patent No.:** **US D860,268 S**

(45) **Date of Patent:** **** Sep. 17, 2019**

(54) **BEVERAGE COOLER**

(71) Applicant: **Grad ApS**, Copenhagen (DK)

(72) Inventor: **Kenneth Holck Jakobsen**, Solrød Strand (DK)

(73) Assignee: **Grad ApS**, Copenhagen (DK)

(**) Term: **15 Years**

(21) Appl. No.: **29/636,418**

(22) Filed: **Feb. 8, 2018**

(51) **LOC (12) Cl.** **15-07**

(52) **U.S. Cl.**
USPC **D15/81**

(58) **Field of Classification Search**

USPC D15/79-91; D7/368, 669, 603, 605, 300
CPC .. F25J 2220/02; F25J 2270/902; F25J 3/0209;
F25J 3/061; F25J 1/0065; F25J 1/0245;
F25J 1/0269; F25J 1/0294; F25J 1/0298;
F25J 2270/912; F25D 17/02; F25D
19/006; F25D 19/00; F25D 2201/12;
F25D 2317/063; F25D 23/028; F25D
23/069; F25D 23/087; F25D 25/02

See application file for complete search history.

(56) **References Cited**

U.S. PATENT DOCUMENTS

D261,890 S *	11/1981	Caspersen	D15/81
D271,877 S *	12/1983	Hoff	D15/81
5,249,706 A *	10/1993	Szabo	B67D 1/0869 165/80.3
D490,703 S *	6/2004	Rusnock	D9/416
D503,786 S *	4/2005	Otaki	D15/79
D654,098 S *	2/2012	Piffl	D15/81
D680,815 S *	4/2013	Glaros	D7/605
D803,276 S *	11/2017	Adjabeng	D15/79
D834,073 S *	11/2018	Adomat	D15/79

* cited by examiner

Primary Examiner — Khawaja Anwar

(74) Attorney, Agent, or Firm — Arent Fox LLP

(57) **CLAIM**

The ornamental design for a beverage cooler, as shown and described.

DESCRIPTION

FIG. 1 is a front view of an embodiment of a beverage cooler.

FIG. 2 is a front view of the embodiment of FIG. 1.

FIG. 3 is a top view of the embodiment of FIG. 1.

FIG. 4 is a bottom view of the embodiment of FIG. 1.

FIG. 5 is a left side view of the embodiment of FIG. 1.

FIG. 6 is a front left view of the embodiment of FIG. 1.

FIG. 7 is a top left view of the embodiment of FIG. 1.

FIG. 8 is a front left top perspective view of the embodiment of FIG. 1.

FIG. 9 is a rear left top perspective view of the embodiment of FIG. 1.

FIG. 10 is a right side view of the embodiment of FIG. 1.

FIG. 11 is a front right view of the embodiment of FIG. 1.

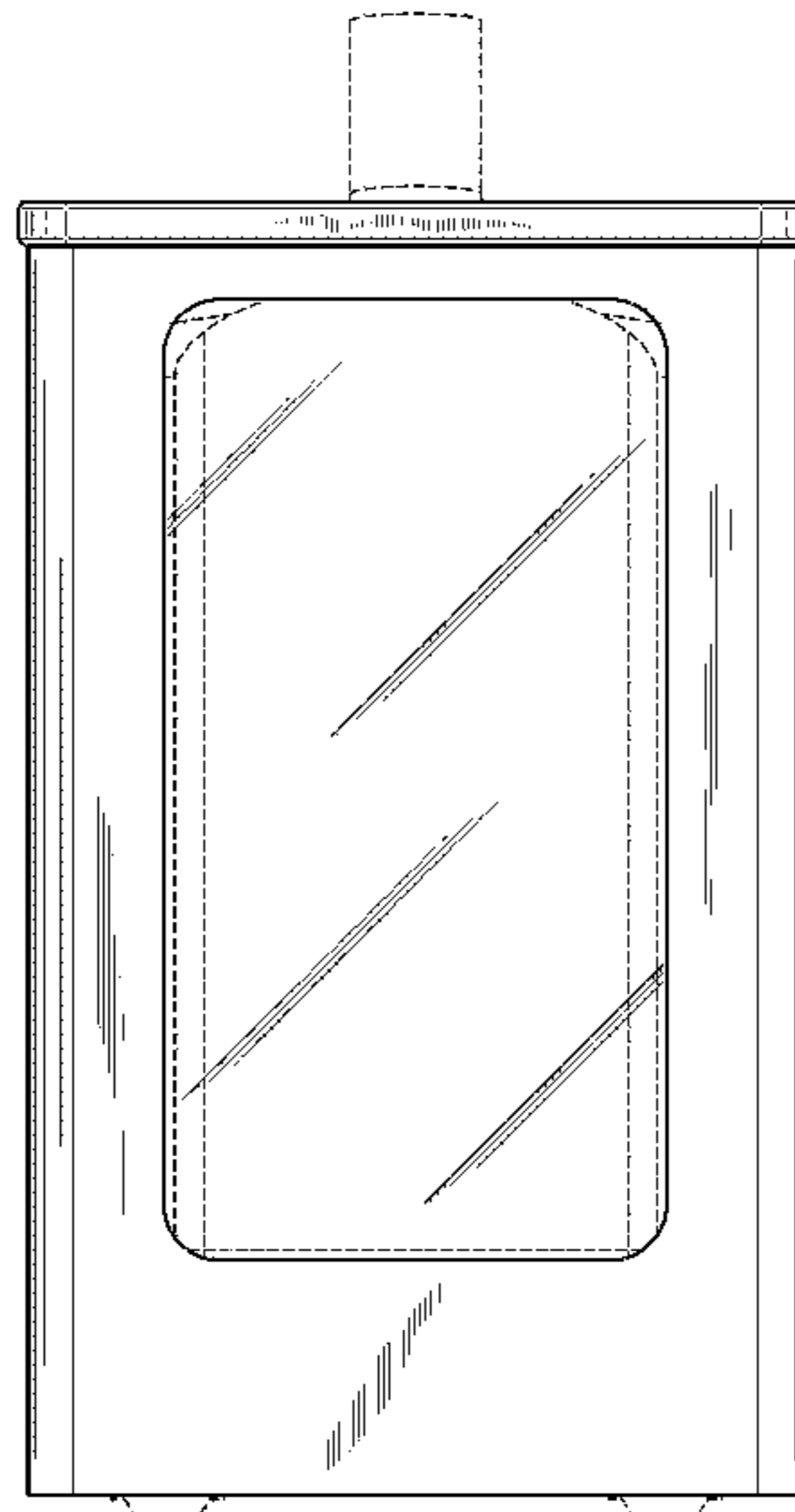
FIG. 12 is a top right view of the embodiment of FIG. 1.

FIG. 13 front right top perspective view of the embodiment of FIG. 1; and,

FIG. 14 a rear left top perspective view of the embodiment of FIG. 1.

As shown, the front of the beverage cooler has a window of transparent material which permits viewing of a beverage container in the cooler, the beverage container itself being shown in phantom for illustrative purposes only and forming no part of the claimed design. The remaining broken lines in the Figures show portions of the beverage cooler for illustrative purposes only and form no part of the claimed design. Any shading and cross-hatching are not features of the design but are utilized to illustrate the surface contours of the beverage cooler design in the drawings.

1 Claim, 14 Drawing Sheets



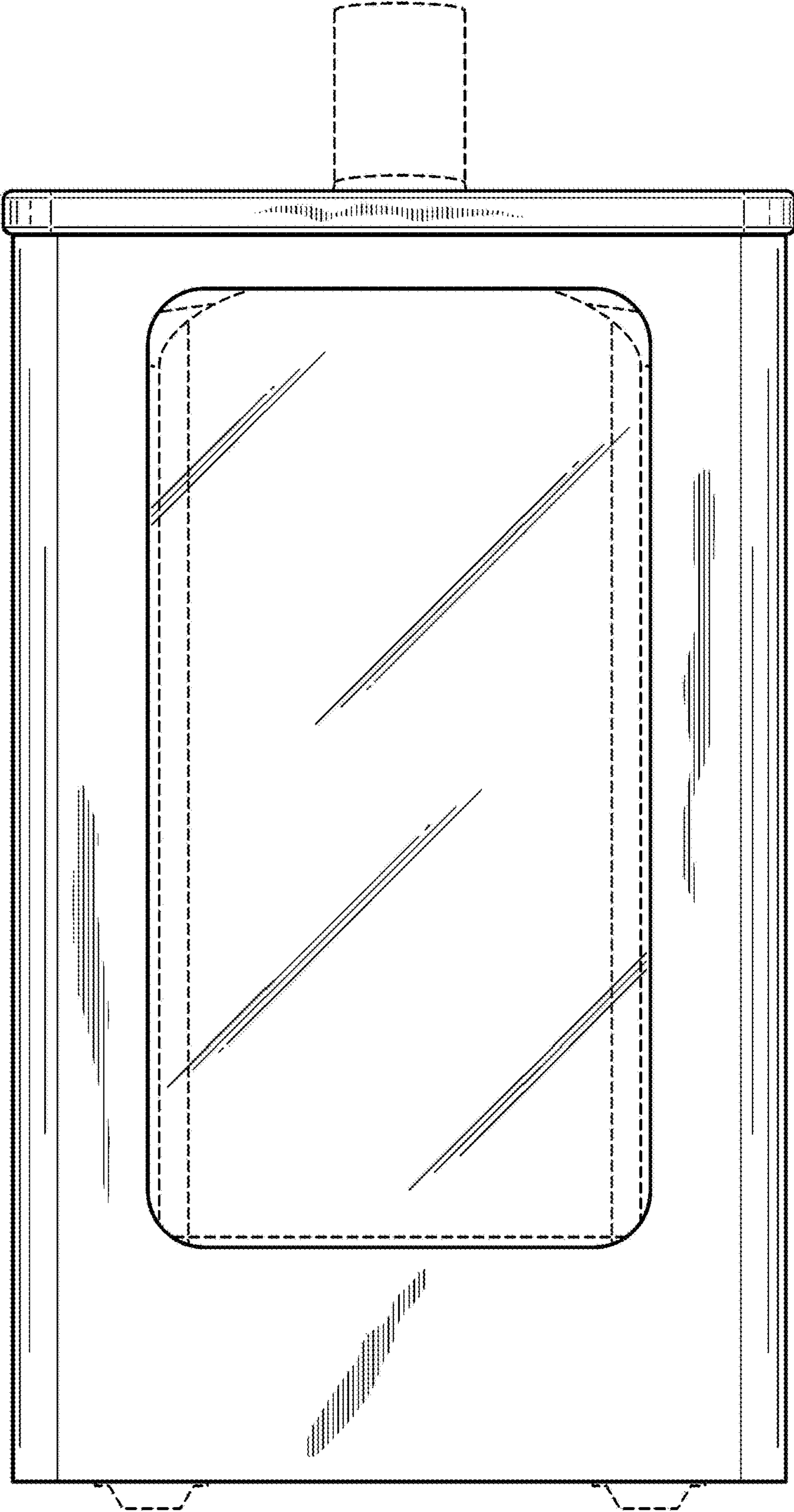


FIG. 1

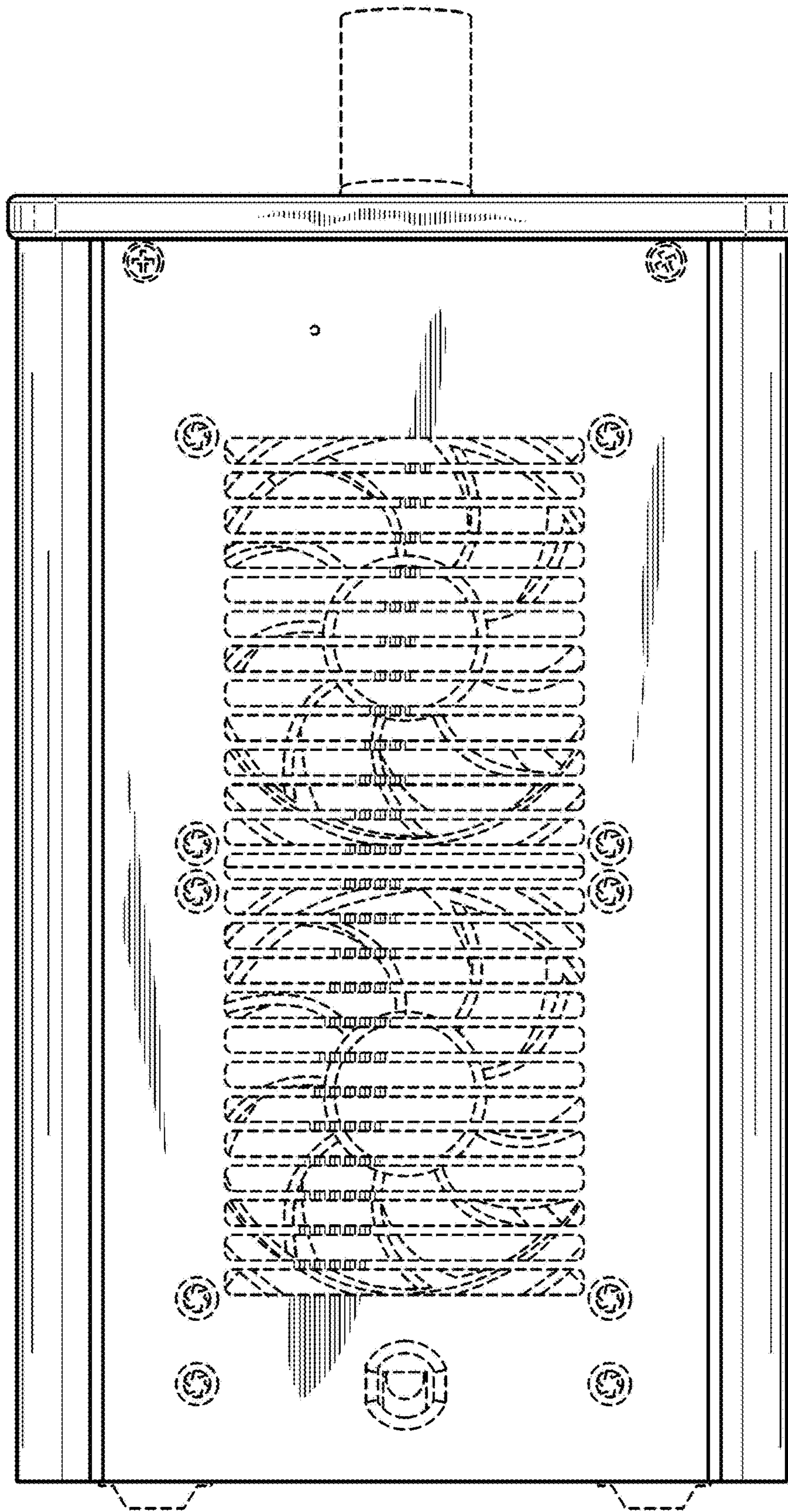


FIG. 2

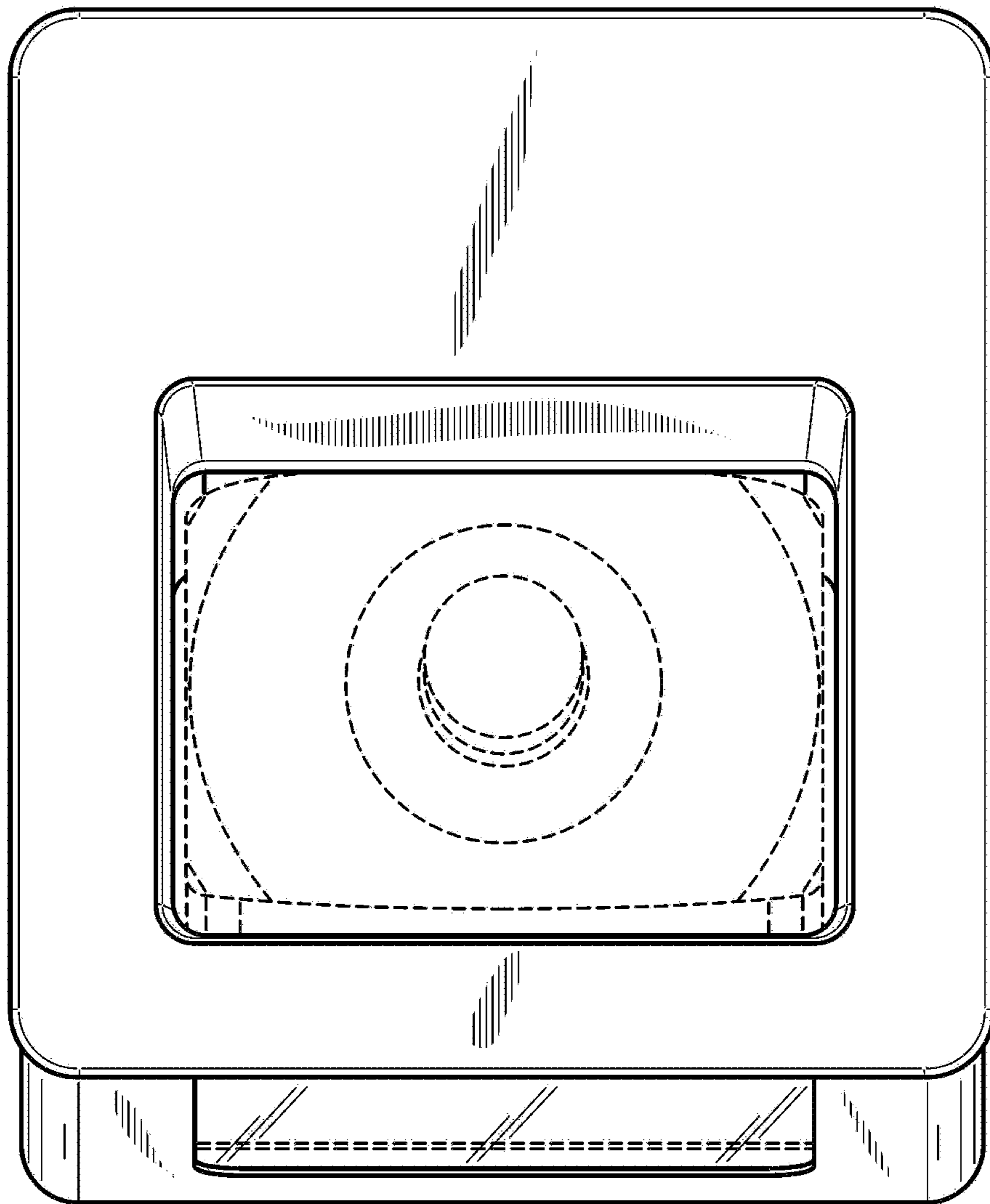


FIG. 3

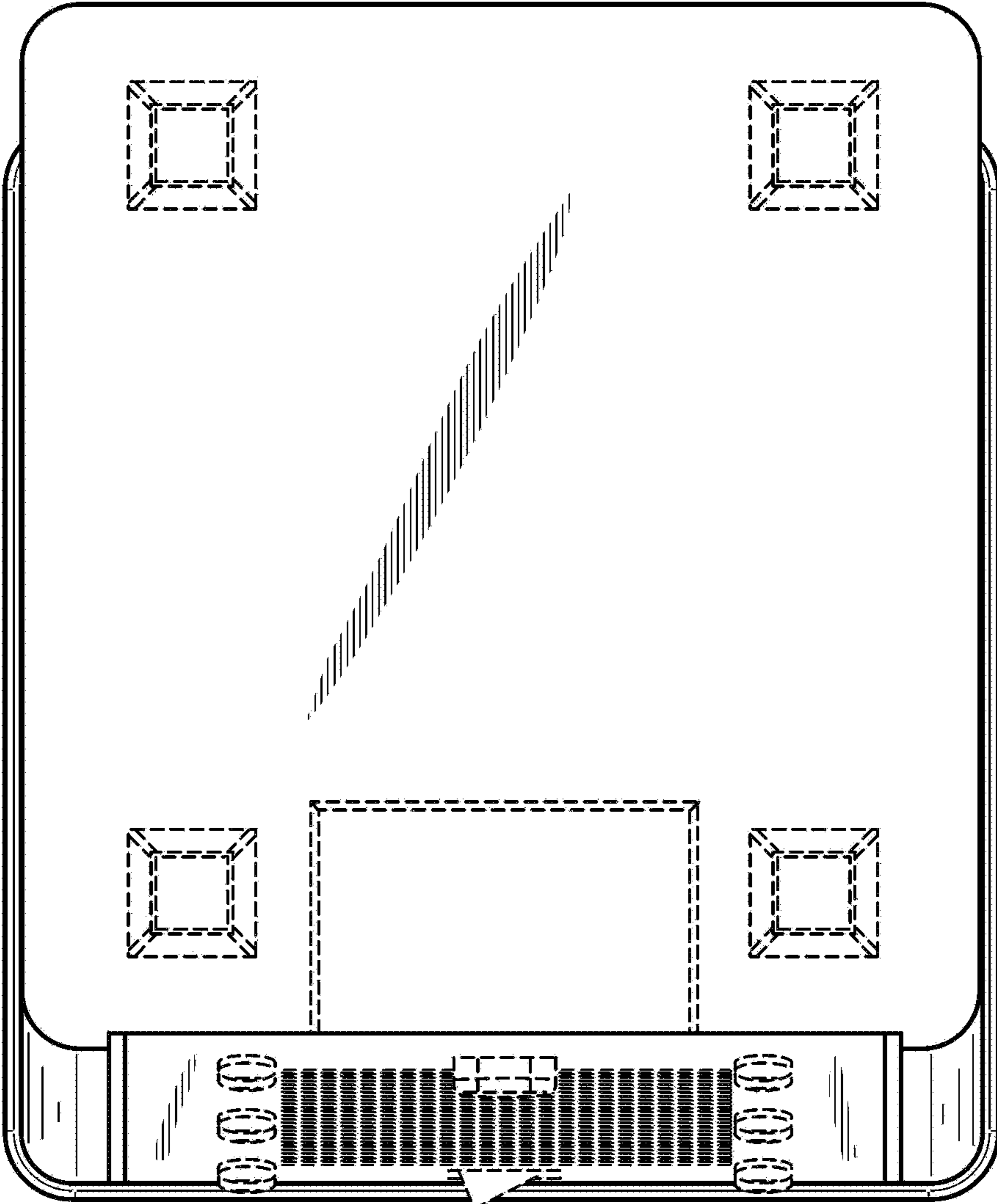


FIG. 4

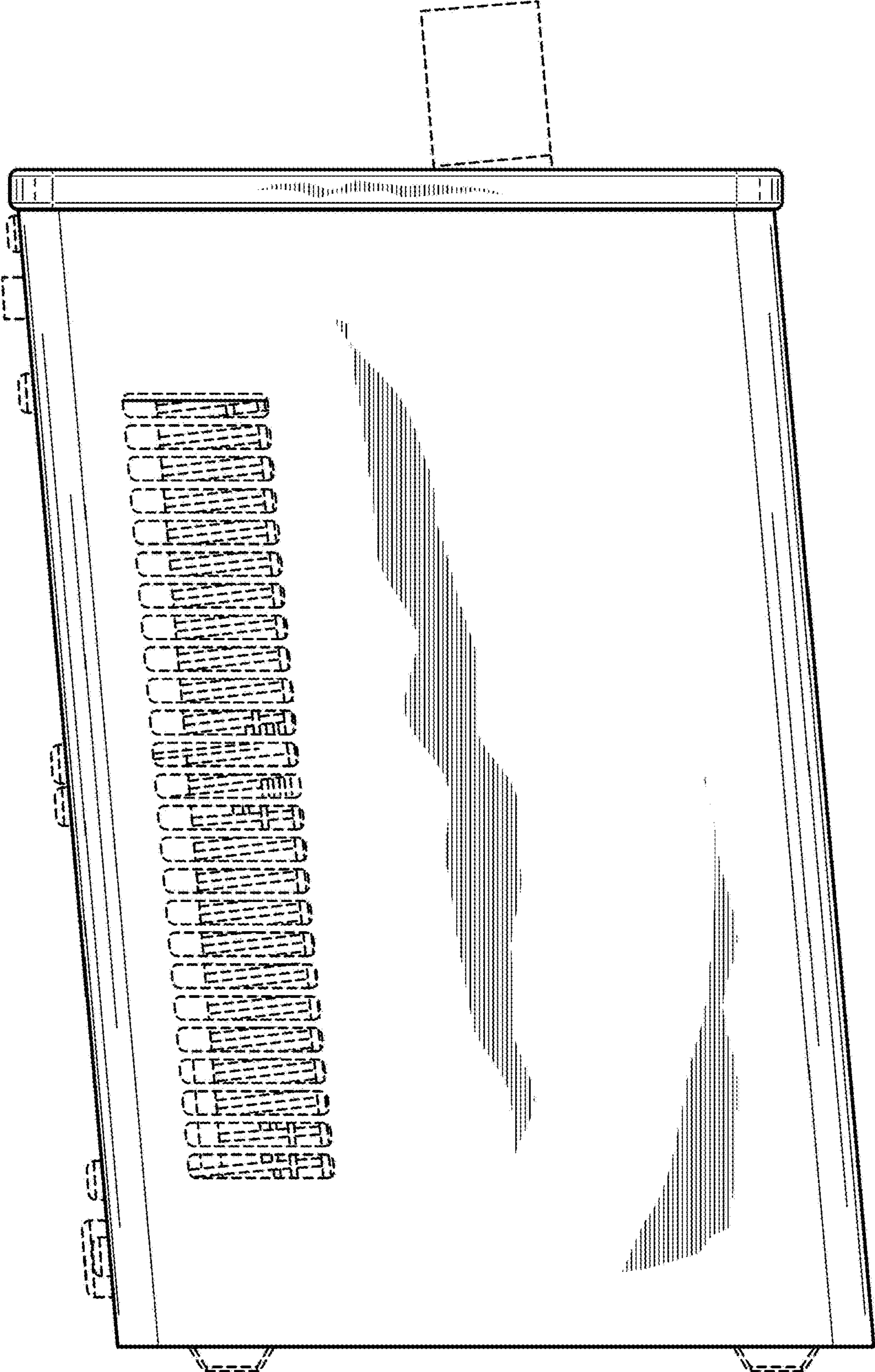


FIG. 5

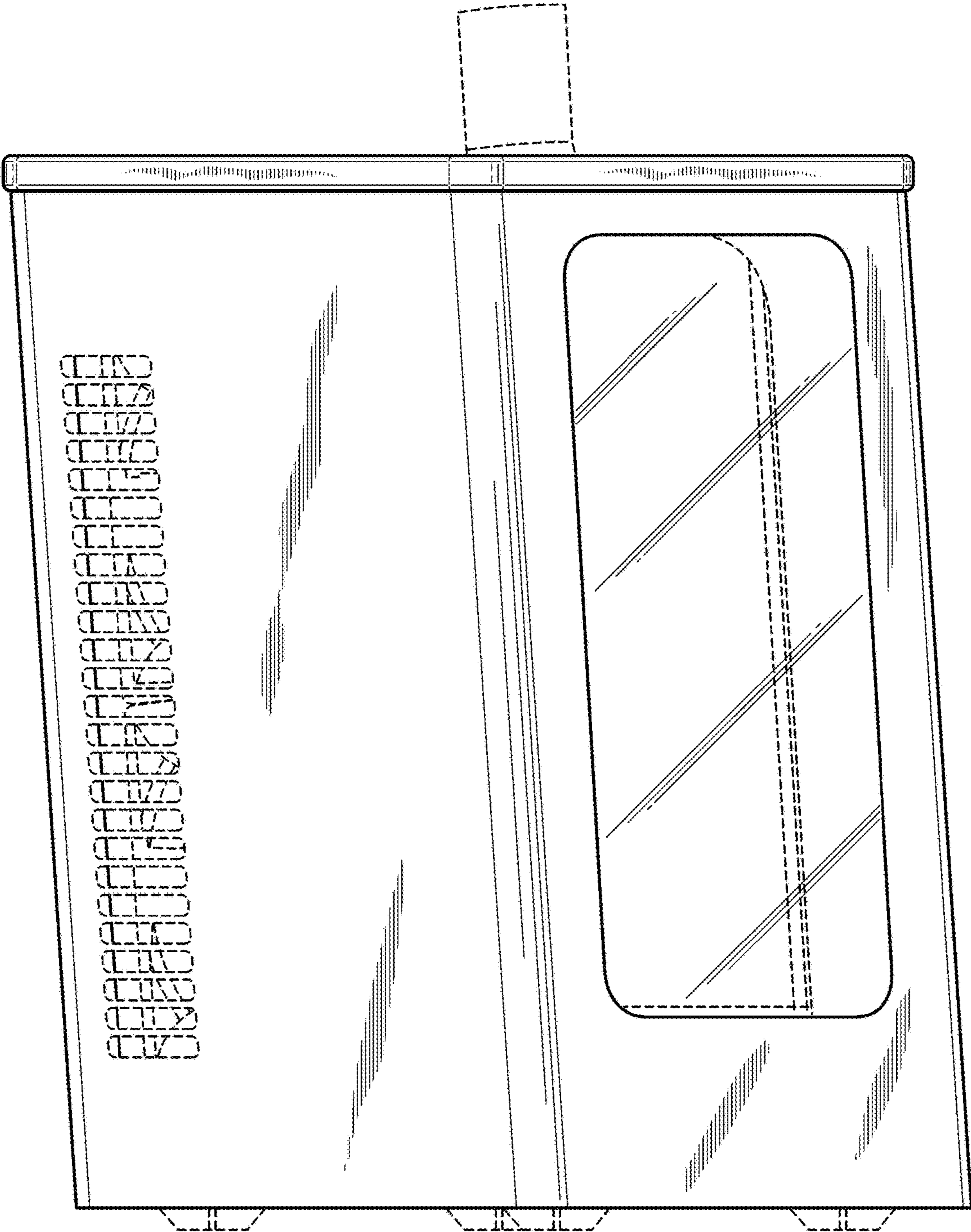


FIG. 6

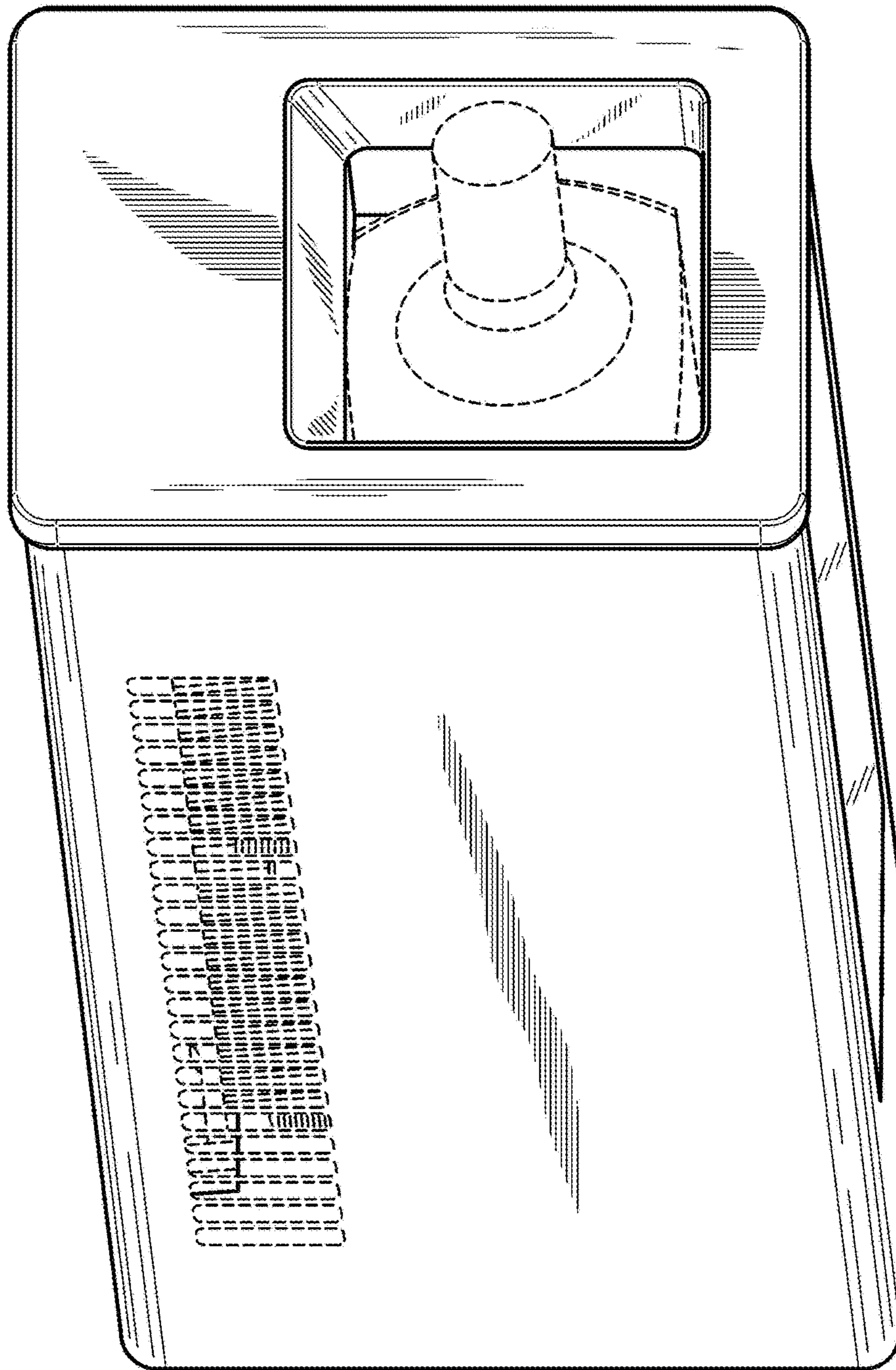


FIG. 7

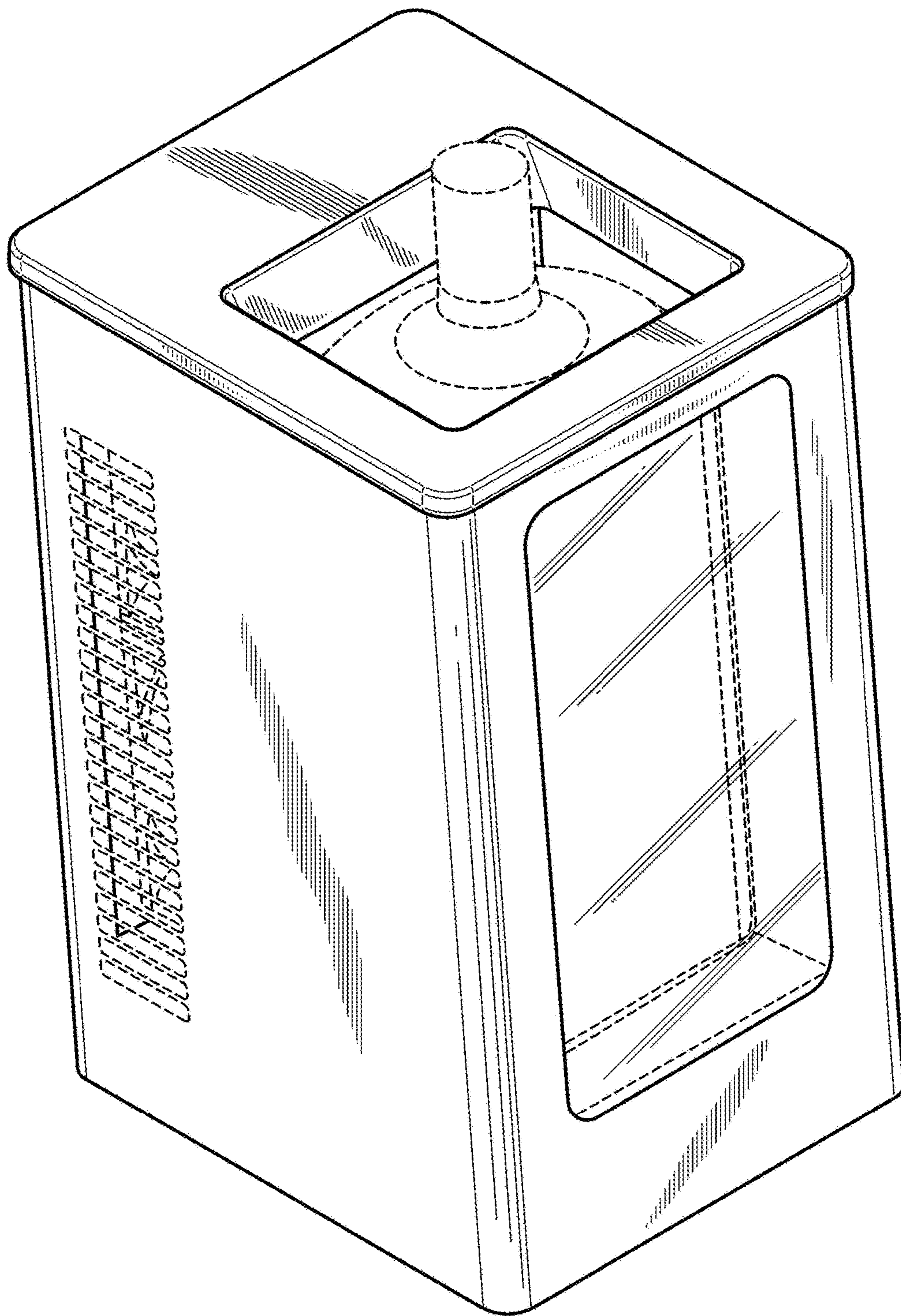


FIG. 8

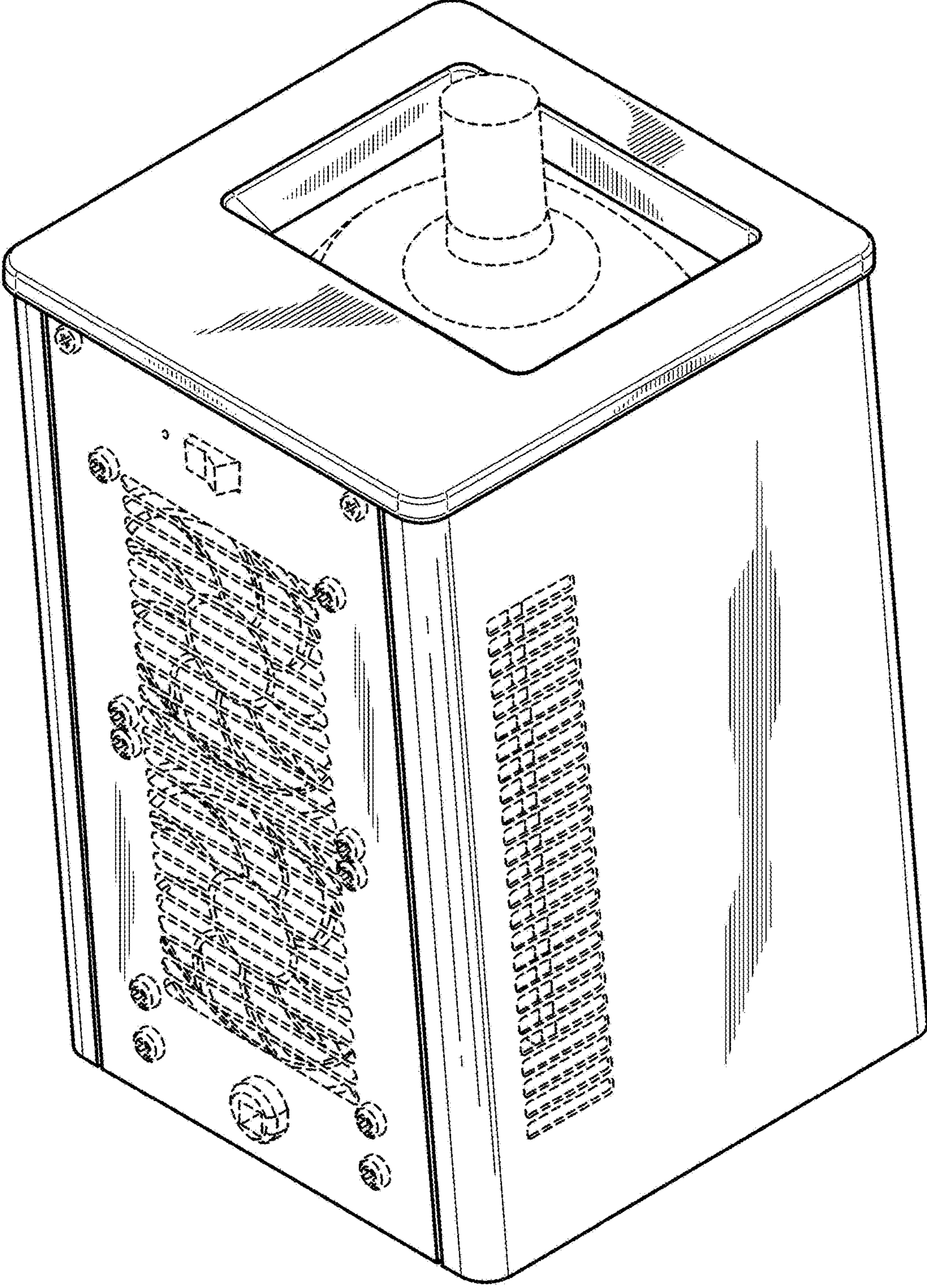


FIG. 9

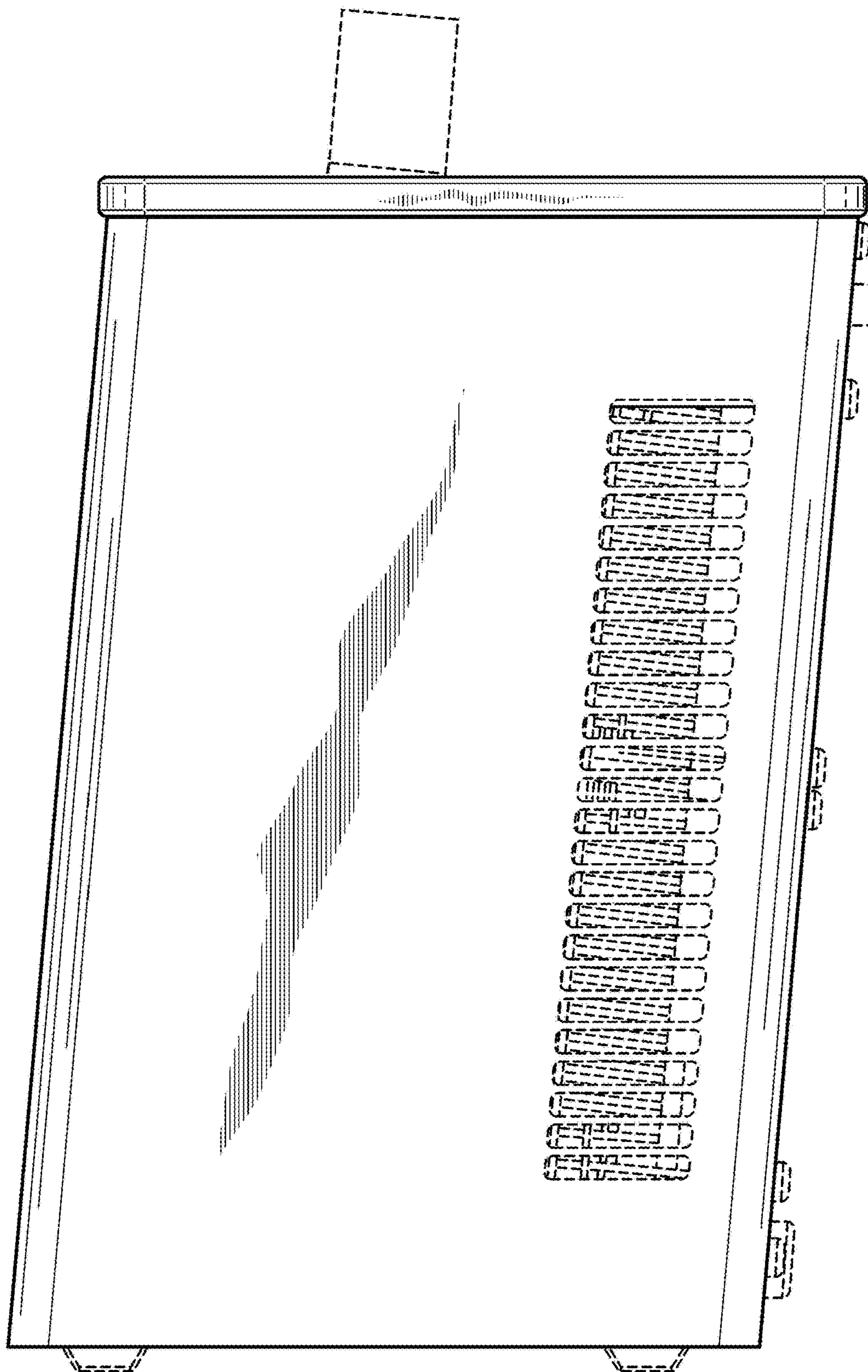


FIG. 10

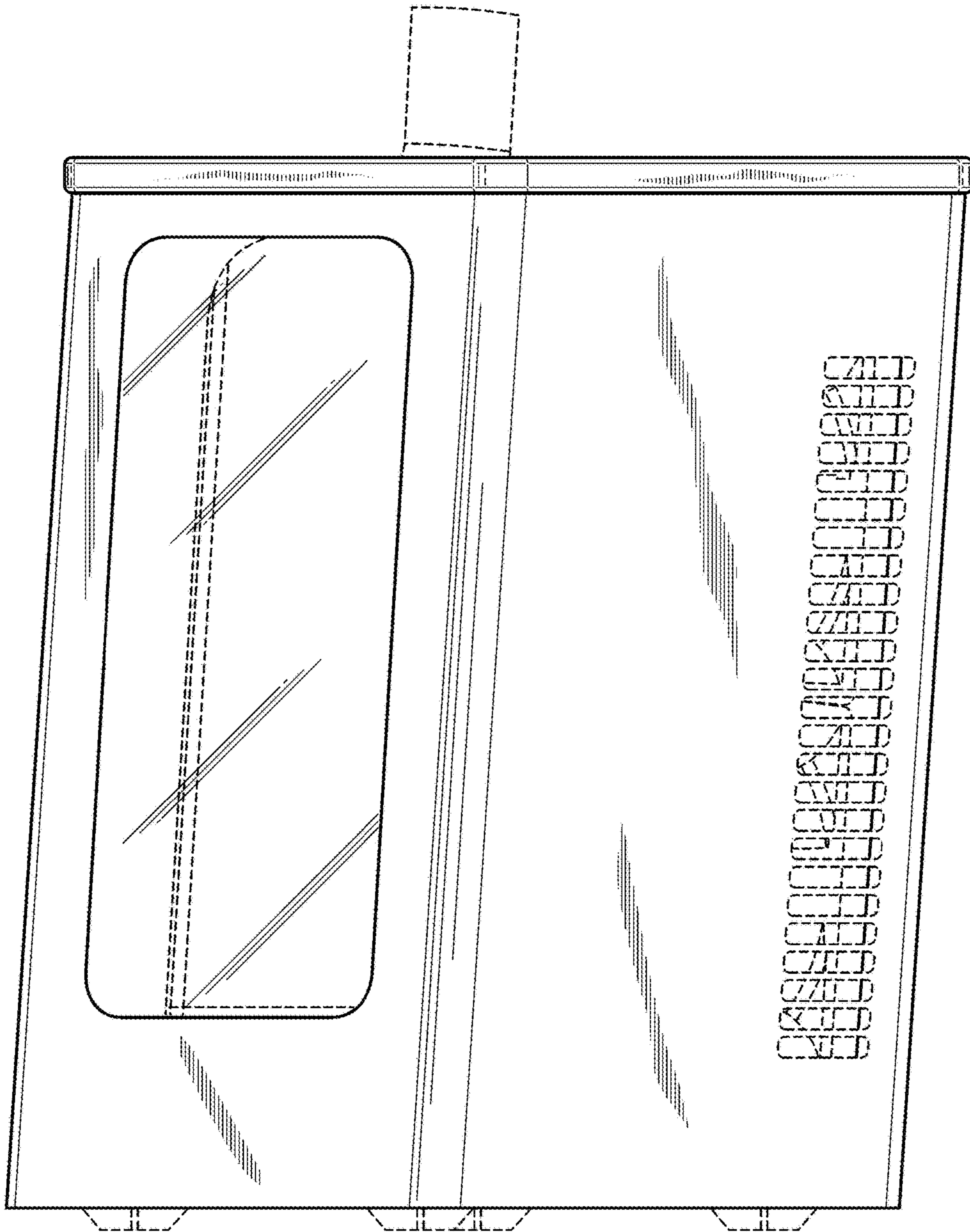


FIG. 11

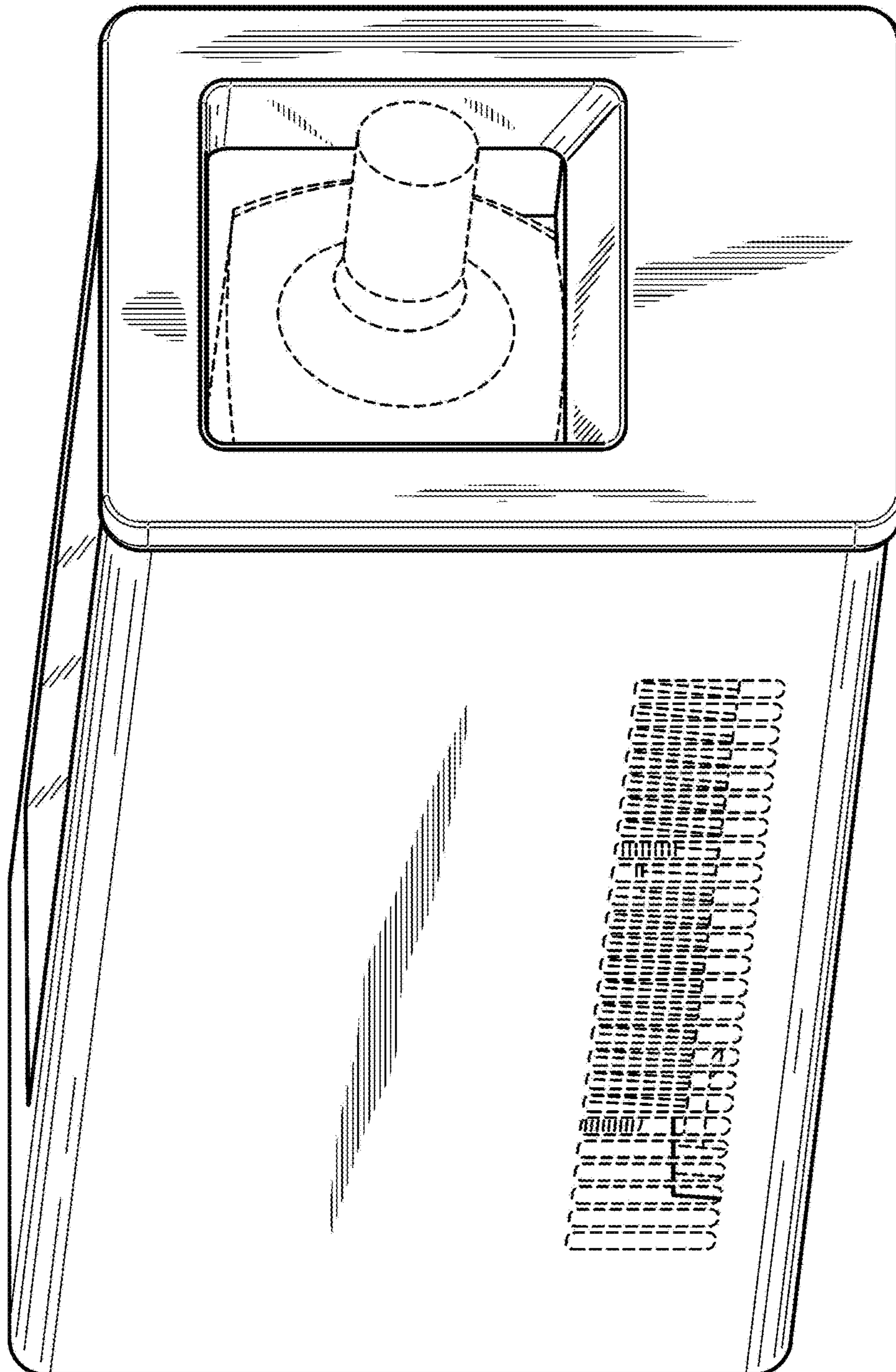


FIG. 12

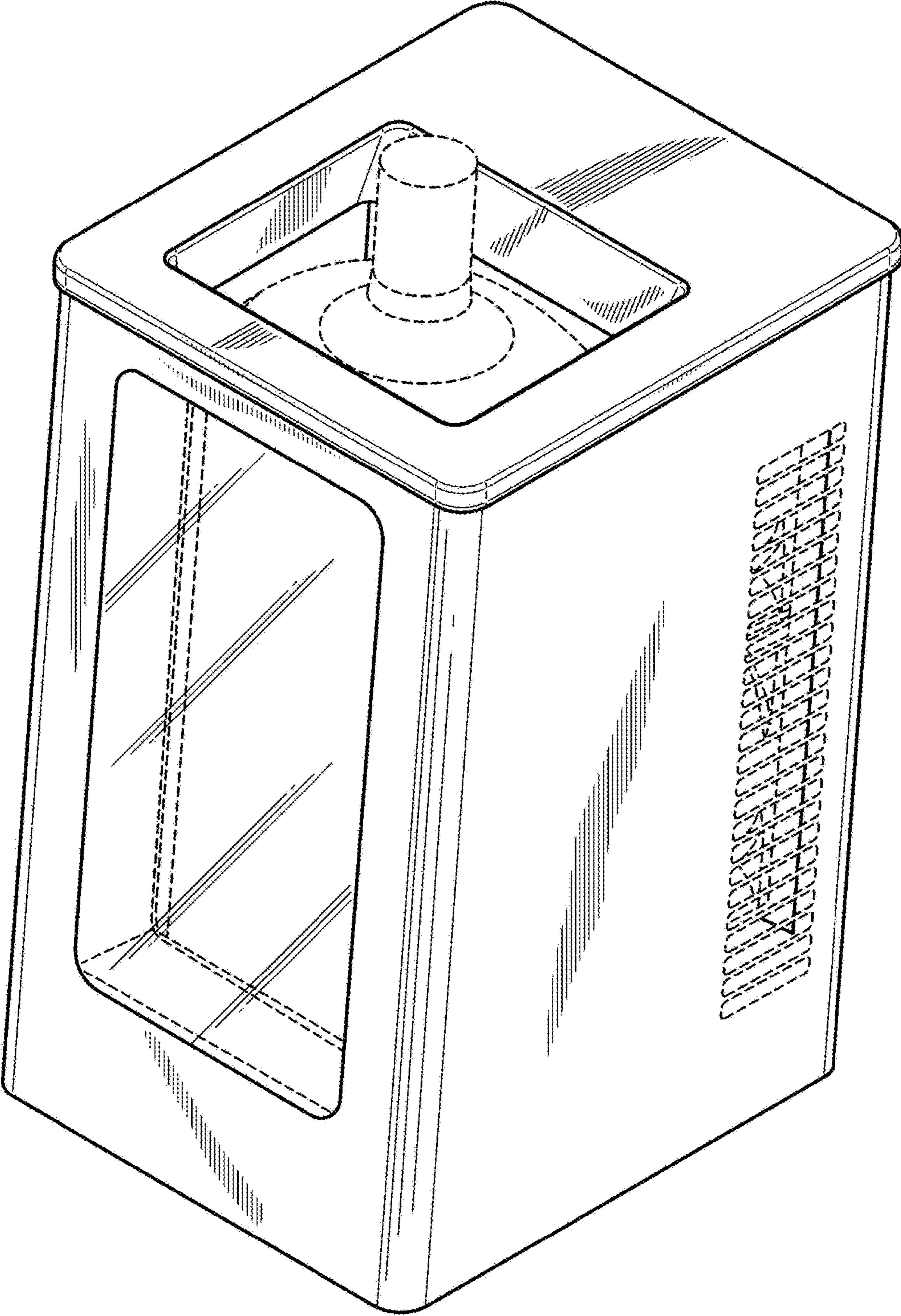


FIG. 13

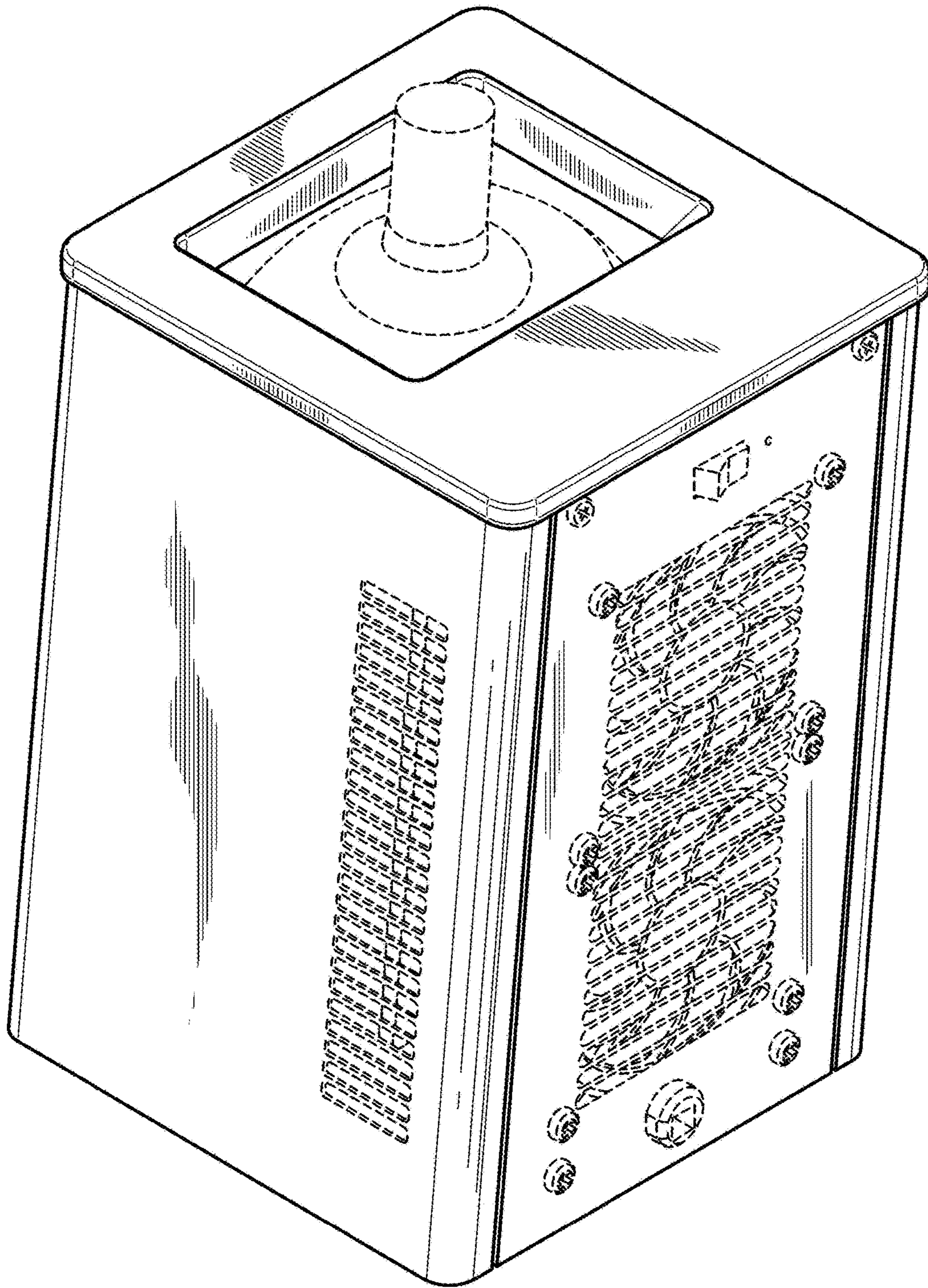


FIG. 14