

US00D860267S

(12) **United States Design Patent** (10) **Patent No.:** **US D860,267 S**
Wilkie et al. (45) **Date of Patent:** **** Sep. 17, 2019**

- (54) **AGRICULTURE MACHINE FRONT CONSOLE**
- (71) Applicant: **CNH Industrial America LLC**, New Holland, PA (US)
- (72) Inventors: **David M. Wilkie**, Turin (IT); **Jesse W. Gonzales**, Fairfax, VA (US); **Eric M. Jacobsthal**, Elmhurst, IL (US); **Guido Bianco**, Piosasco (IT); **Stefano Fincato**, Torinese (IT); **David C. Sachtleben**, Lititz, PA (US)
- (73) Assignee: **CNH Industrial America LLC**, New Holland, PA (US)
- (**) Term: **15 Years**
- (21) Appl. No.: **29/650,523**
- (22) Filed: **Jun. 7, 2018**
- (51) **LOC (12) Cl.** **15-03**
- (52) **U.S. Cl.**
USPC **D15/28; D15/17**
- (58) **Field of Classification Search**
USPC D15/17, 28, 14, 15, 22-26, 31, 33;
D12/192; 180/69.24, 69.21, 90, 89.12,
180/900; 296/70, 30, 72, 191, 192,
296/193.03
CPC B62D 49/00; B60K 37/00; B60K 37/02;
B60K 37/04; B60K 2350/928; B60Y
2200/22
See application file for complete search history.

D365,574 S *	12/1995	Westimayer	D15/17
D427,613 S *	7/2000	Altmann	D15/28
D459,734 S *	7/2002	Hohnl	D15/28
6,499,550 B2 *	12/2002	Matsuda	B60K 37/00 180/90
D471,564 S *	3/2003	Hohnl	D15/28
D549,739 S *	8/2007	Stephens	D15/28
D584,321 S *	1/2009	Matsumoto	D15/17
D594,885 S *	6/2009	Kuwae	D15/17
D652,063 S *	1/2012	Takeuchi	D15/28
D652,433 S *	1/2012	Takeuchi	D15/28
D685,006 S *	6/2013	Hagura	D15/17
8,474,562 B2 *	7/2013	Elhardt	B60K 37/00 180/89.12
D692,466 S *	10/2013	Takagi	D15/17
D707,722 S *	6/2014	Higashikawa	D15/15
D718,343 S *	11/2014	Carter	D15/28
D754,211 S *	4/2016	Moore	D15/28
D819,706 S *	6/2018	Diebold	D15/28
D822,071 S *	7/2018	Jacobsthal	D15/28
2002/0043414 A1 *	4/2002	Matsuda	B60K 37/00 180/90
2013/0062904 A1 *	3/2013	Elhardt	B60K 37/00 296/70

* cited by examiner

Primary Examiner — Mark A Goodwin
(74) *Attorney, Agent, or Firm* — Rickard K. DeMille;
Rebecca L. Henkel

(57) **CLAIM**

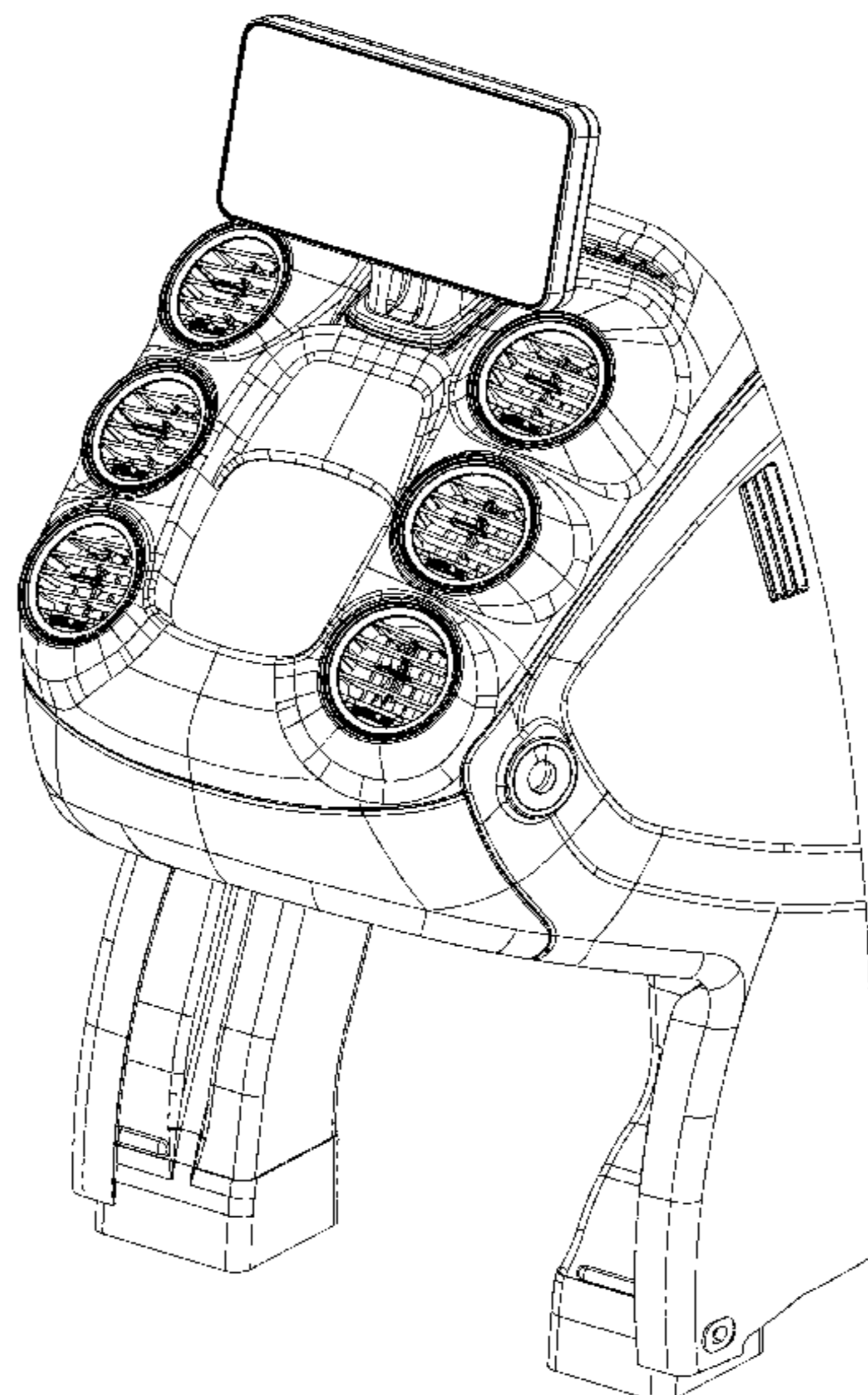
The ornamental design for an agricultural machine front console, as shown and described.

DESCRIPTION

FIG. 1 is a perspective view of an agricultural machine front console of the present design;
FIG. 2 is a front view thereof;
FIG. 3 is a side view thereof;
FIG. 4 is an opposite side view thereof; and,
FIG. 5 is a top view thereof.

1 Claim, 5 Drawing Sheets

- (56) **References Cited**
U.S. PATENT DOCUMENTS
D256,018 S * 7/1980 Stone D12/192
4,447,860 A * 5/1984 Stone B62D 33/0617
180/90
D326,662 S * 6/1992 Holm D15/17



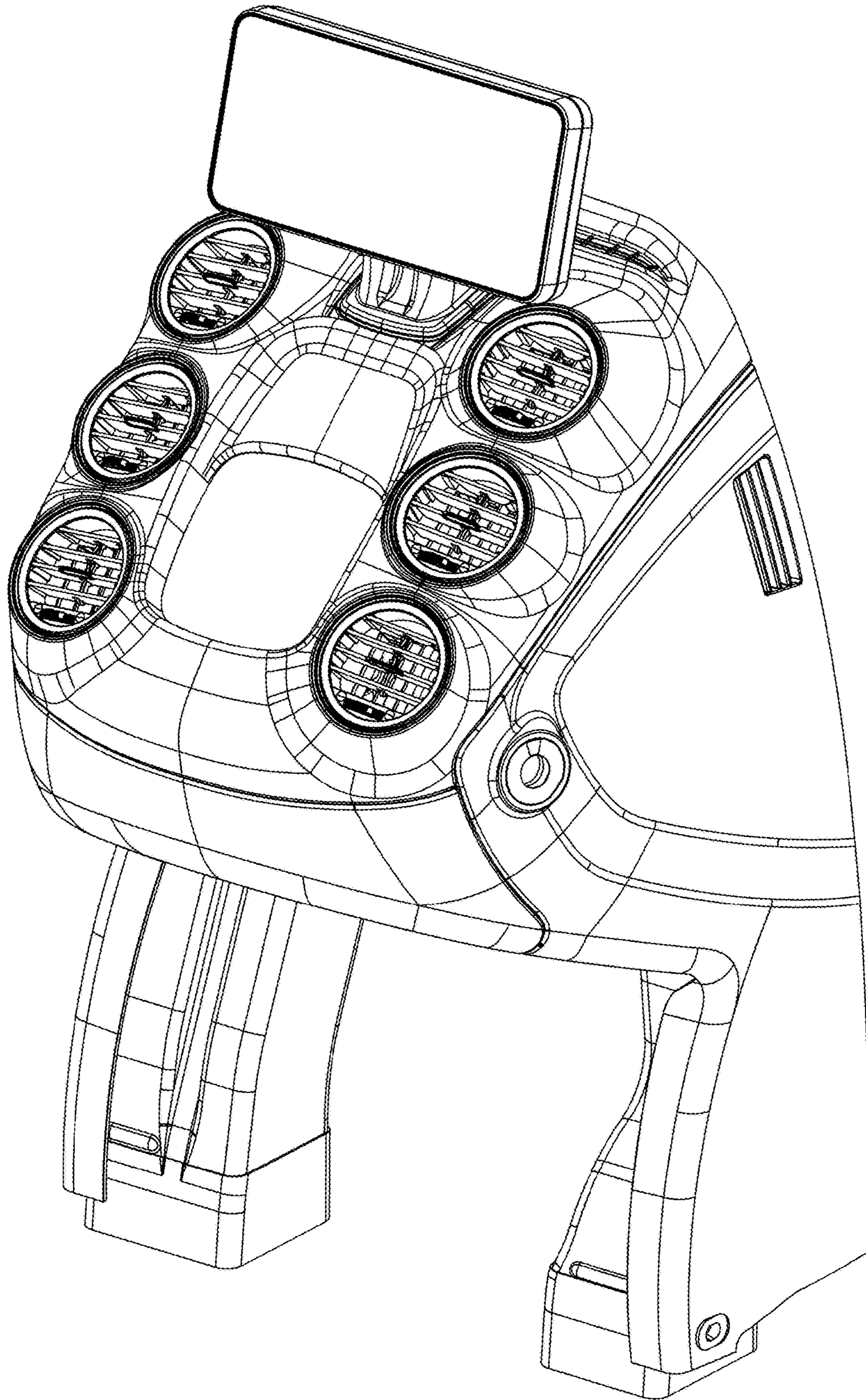


FIG. 1

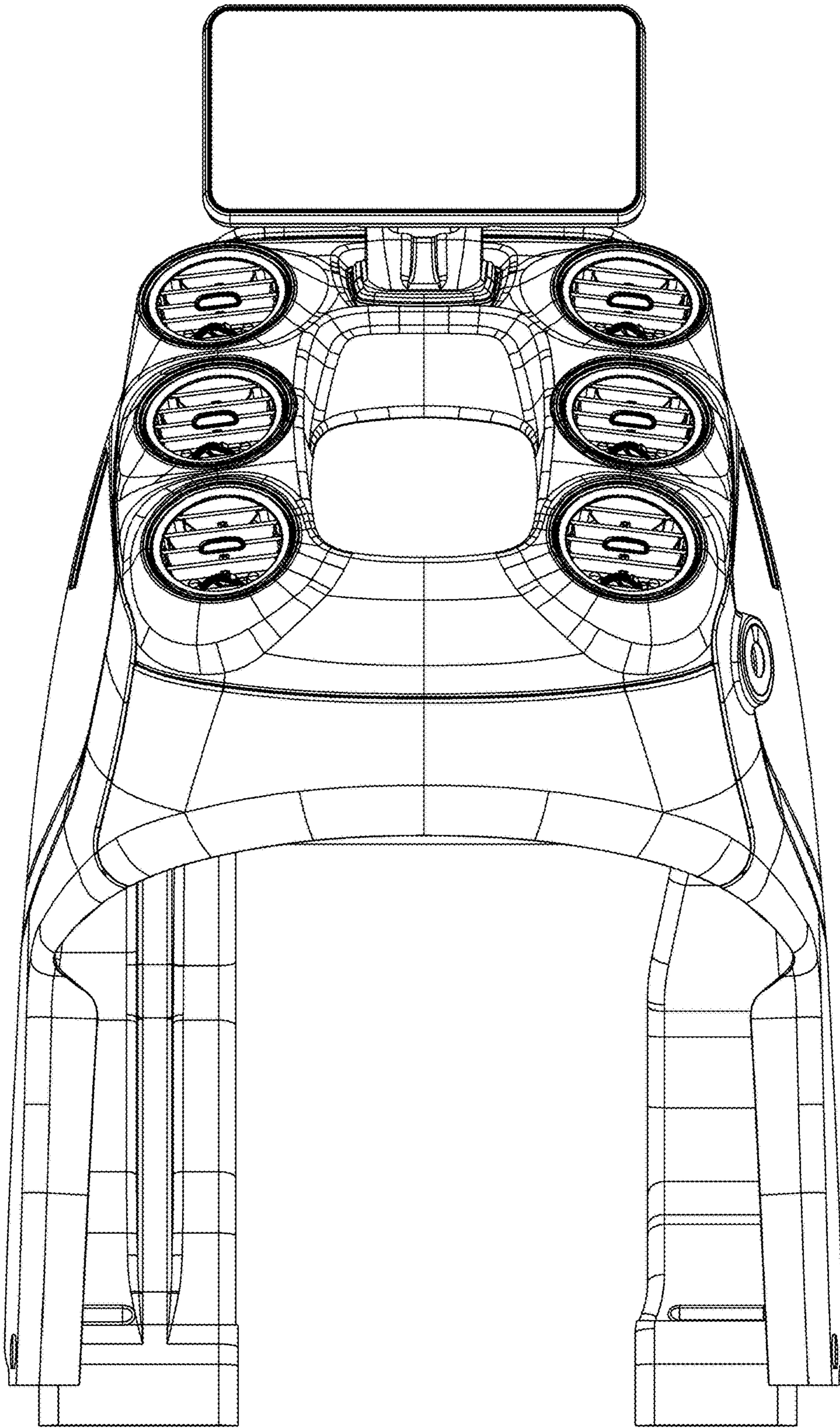


FIG. 2

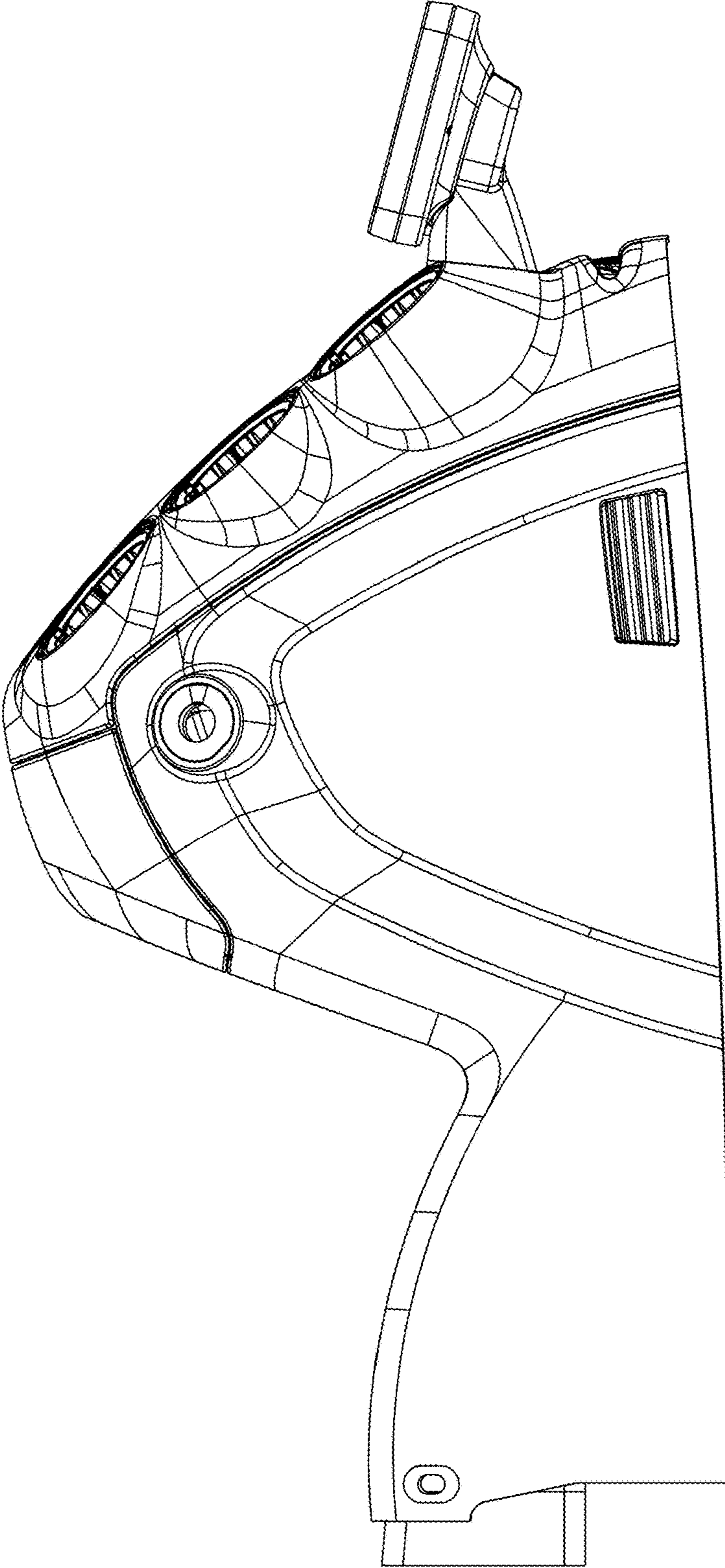


FIG. 3

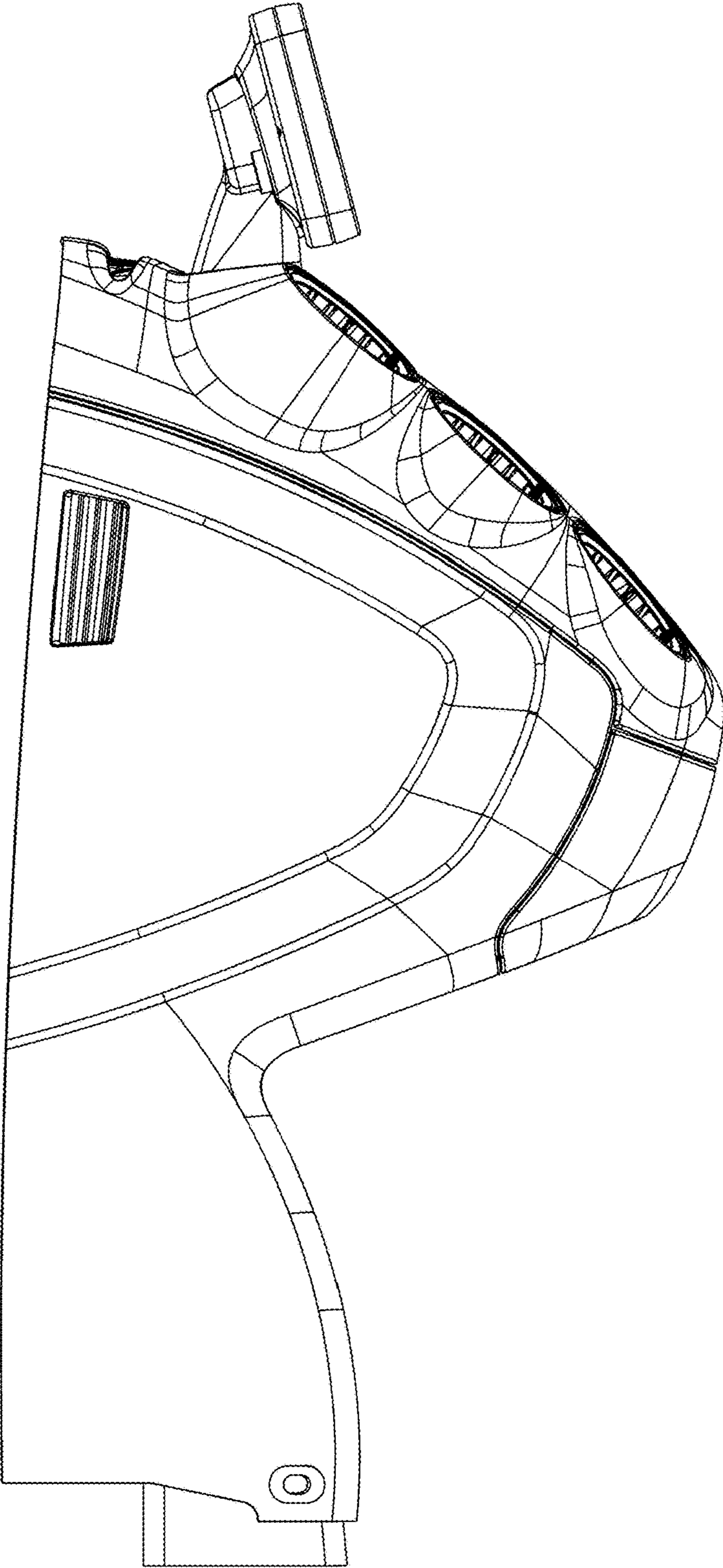


FIG. 4

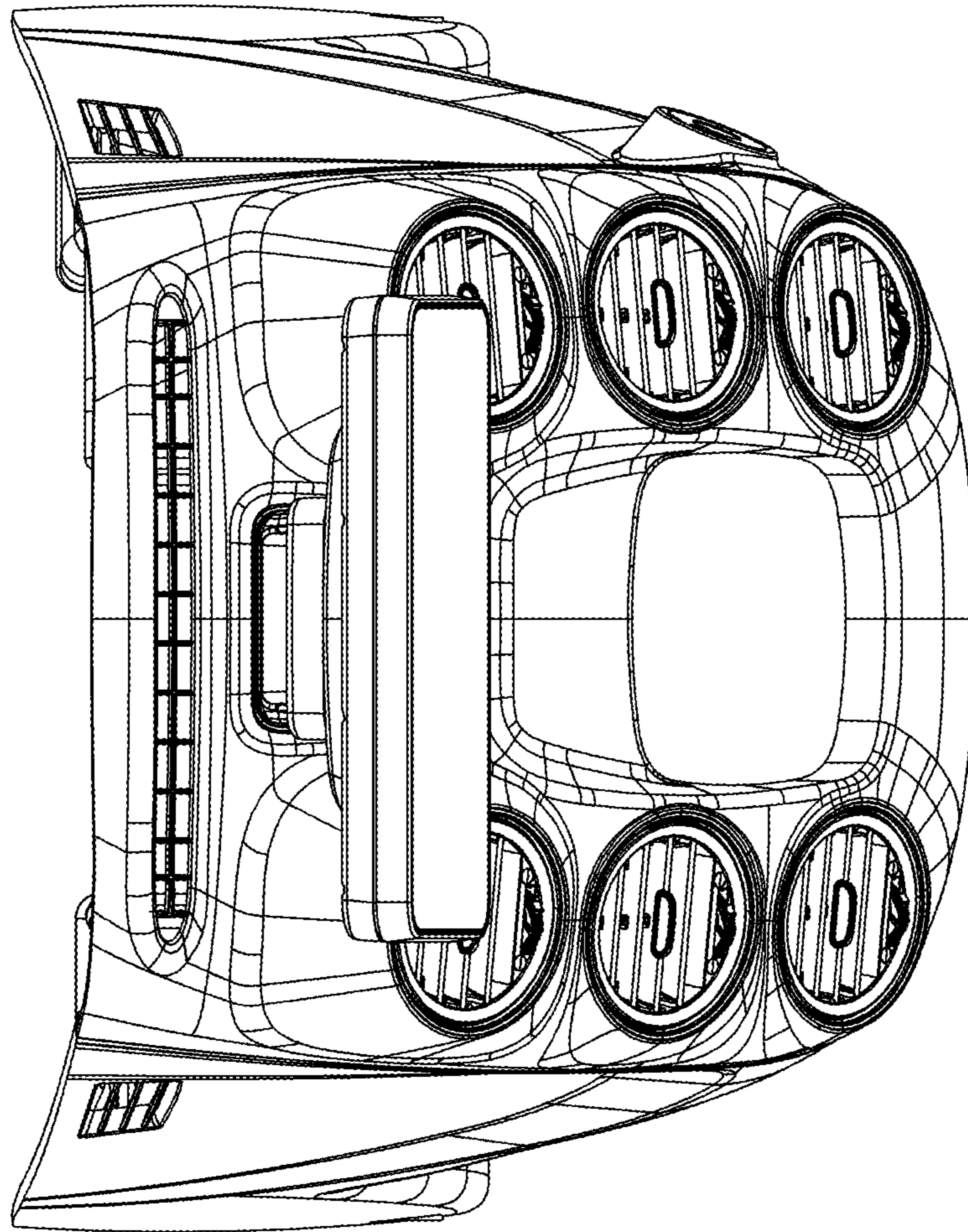


FIG. 5