

US00D860266S

(12) **United States Design Patent**  
**Signorelli**

(10) **Patent No.:** **US D860,266 S**  
(45) **Date of Patent:** **\*\* Sep. 17, 2019**

- (54) **AGRICULTURAL EQUIPMENT**
- (71) Applicant: **Sitrex S.p.A.**, Citta' di Castello (PG)  
(IT)
- (72) Inventor: **Giovanni Signorelli**, Citta' di Castello  
(IT)
- (73) Assignee: **Sitrex S.p.A.**, Trestina (IT)
- (\*\*) Term: **15 Years**
- (21) Appl. No.: **29/649,382**
- (22) Filed: **May 29, 2018**
- (30) **Foreign Application Priority Data**

3,910,368 A *	10/1975	Weber	.....	A01B 75/00
				180/213
D237,528 S *	11/1975	Fisher et al.	.....	172/776
D237,529 S *	11/1975	Fisher et al.	.....	172/776
D241,155 S *	8/1976	Walker	.....	D15/27
D267,320 S *	12/1982	Symonds	.....	171/71
D281,881 S *	12/1985	Swartzendruber	.....	D15/11
D284,669 S *	7/1986	Clark	.....	D15/28
D284,767 S *	7/1986	Clark	.....	D15/28
D285,081 S *	8/1986	Wood	.....	D15/28
D309,312 S *	7/1990	Hass	.....	D15/11
D314,199 S *	1/1991	Dudley	.....	D15/27
D337,121 S *	7/1993	Torrey	.....	D15/27
5,256,024 A *	10/1993	Ross	.....	B60P 3/06
				280/638
5,257,885 A *	11/1993	Reil	.....	A01D 87/127
				280/490.1
D365,350 S *	12/1995	Willis	.....	D15/27
5,511,921 A *	4/1996	Meijer	.....	A01D 85/005
				414/24.5

- Nov. 29, 2017 (EM) ..... 004527547
- (51) **LOC (12) Cl.** ..... **15-03**
- (52) **U.S. Cl.**  
USPC ..... **D15/28; D15/27**
- (58) **Field of Classification Search**  
USPC ..... D15/10, 14-17, 22, 28, 33, 27; 56/12.1,  
56/12.7, 12.8, 13.4, 13.7, 16.7, 17.1, 17.5,  
56/202, 255, 320.1, 320.2; 180/89.1, 311  
CPC ..... Y10S 56/22; A01D 2101/00; A01D 34/63;  
A01D 34/64; A01D 34/74; A01D 34/00  
See application file for complete search history.

- (56) **References Cited**  
U.S. PATENT DOCUMENTS  
  
D140,591 S \* 3/1945 Hollmann et al. .... 37/97  
2,433,126 A \* 12/1947 Kersety ..... A01D 34/42  
56/249  
3,047,969 A \* 8/1962 Purdy ..... A01B 31/00  
172/146  
3,252,249 A \* 5/1966 Propst ..... A01B 41/00  
111/120  
D236,526 S \* 8/1975 Ulve ..... D15/28

(Continued)

Primary Examiner — Mark A Goodwin  
(74) Attorney, Agent, or Firm — Arent Fox LLP

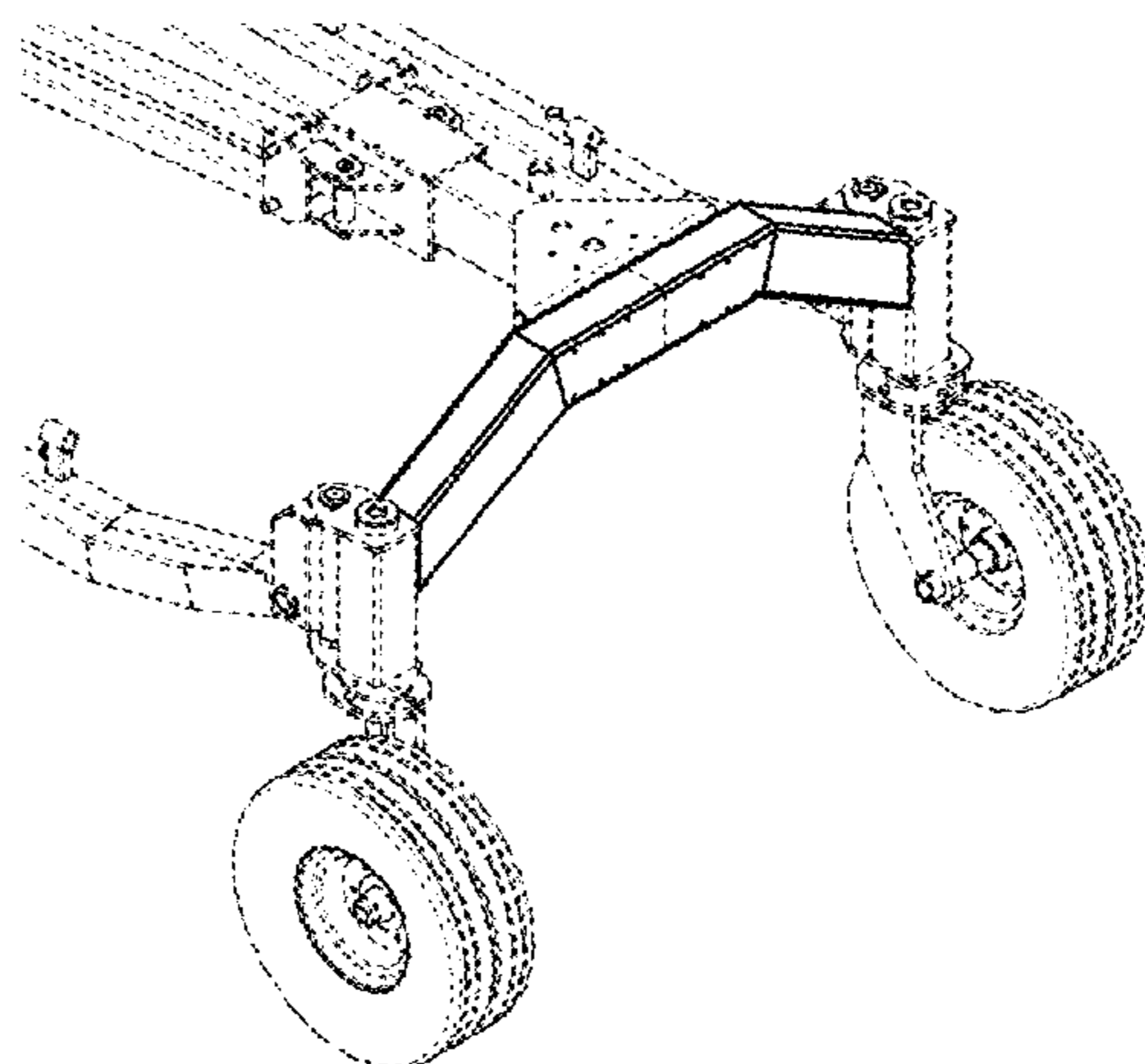
(57) **CLAIM**

The ornamental design for agricultural equipment, as shown and described.

**DESCRIPTION**

FIG. 1 is a front left perspective view of the agricultural equipment showing our new design;  
FIG. 2 is a front view of the design shown in FIG. 1;  
FIG. 3 is a top view of the design shown in FIG. 1;  
FIG. 4 is a close-up left perspective view of the design shown in FIG. 1; and,  
FIG. 5 is a front left perspective view of the agricultural equipment showing a second position of use.  
The broken line showing the remainder of the agricultural equipment is for environmental purposes only and forms no part of the claimed design.

**1 Claim, 5 Drawing Sheets**



(56)

**References Cited**

## U.S. PATENT DOCUMENTS

5,562,166 A \* 10/1996 Griffin ..... A01B 33/02  
172/103  
5,579,847 A \* 12/1996 Postema ..... A01B 45/02  
172/21  
D417,676 S \* 12/1999 Havener ..... D15/17  
6,062,582 A \* 5/2000 Martin ..... B62D 51/02  
280/32.7  
6,460,318 B1 \* 10/2002 Ferris ..... A01D 34/64  
280/124.141  
D466,135 S \* 11/2002 Spomer ..... D15/33  
D476,999 S \* 7/2003 Truan ..... D15/28  
D557,712 S \* 12/2007 Ewringmann ..... D15/28  
D588,614 S \* 3/2009 Peterson ..... D15/27  
D591,776 S \* 5/2009 Rasset ..... D15/28  
D601,593 S \* 10/2009 Martin ..... D15/33  
D623,669 S \* 9/2010 Kromminga ..... D15/27  
D628,215 S \* 11/2010 Wootan ..... D15/27  
D628,600 S \* 12/2010 Hicks ..... D15/27  
RE42,028 E \* 1/2011 Ewringmann ..... D15/28  
D646,699 S \* 10/2011 Knobloch ..... D15/27  
D674,409 S \* 1/2013 Higashikawa ..... D15/15  
D693,852 S \* 11/2013 Brazier ..... D15/17  
D786,943 S \* 5/2017 Gardner ..... D15/27  
D787,564 S \* 5/2017 Kinzenbaw ..... D15/27  
D794,083 S \* 8/2017 Cochran, Sr. .... D15/11  
D800,181 S \* 10/2017 Covington ..... D15/17  
D823,348 S \* 7/2018 Sudbrink ..... D15/27  
D830,419 S \* 10/2018 Covington ..... D15/17  
D830,420 S \* 10/2018 Covington ..... D15/17

\* cited by examiner

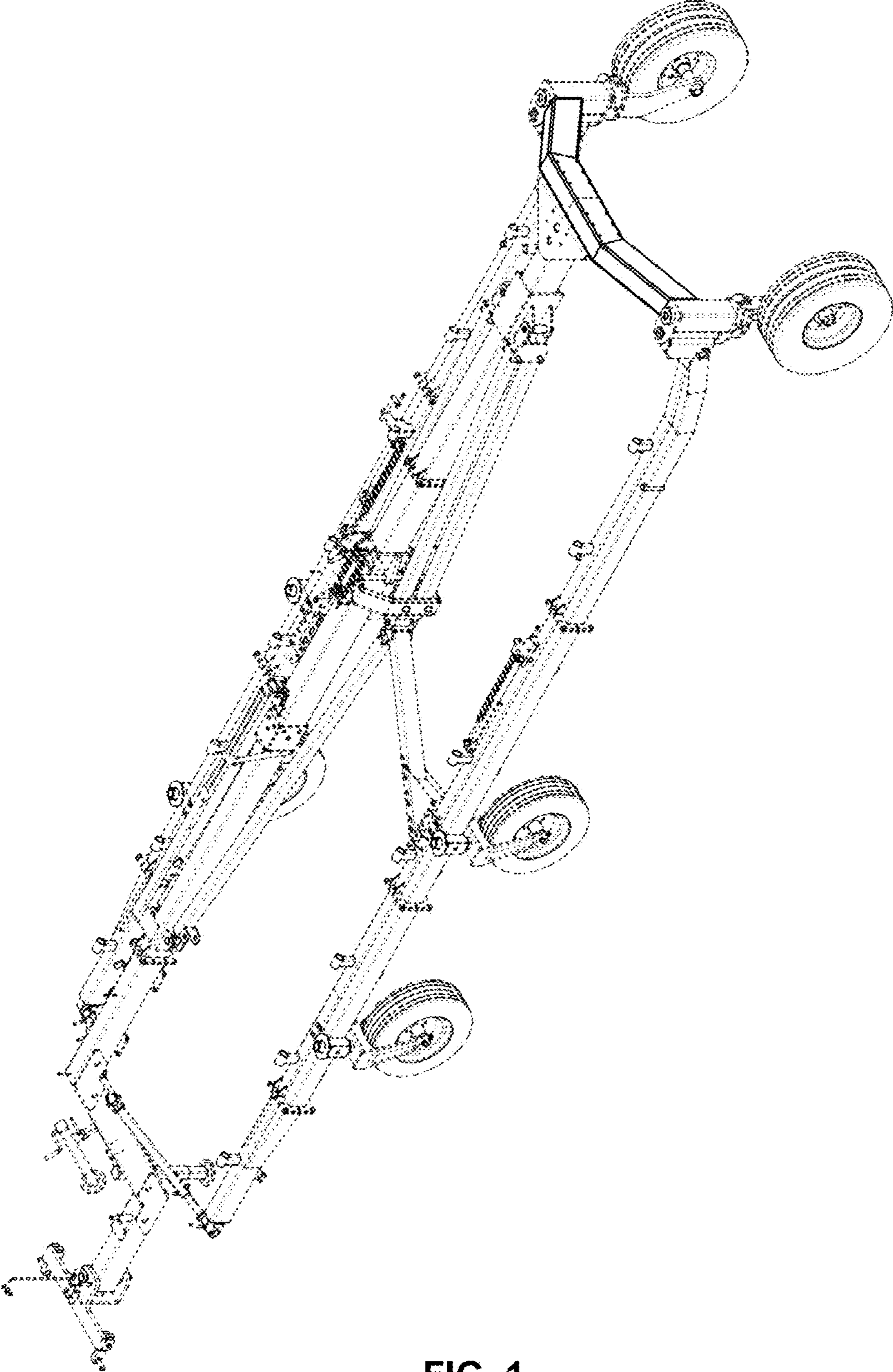


FIG. 1

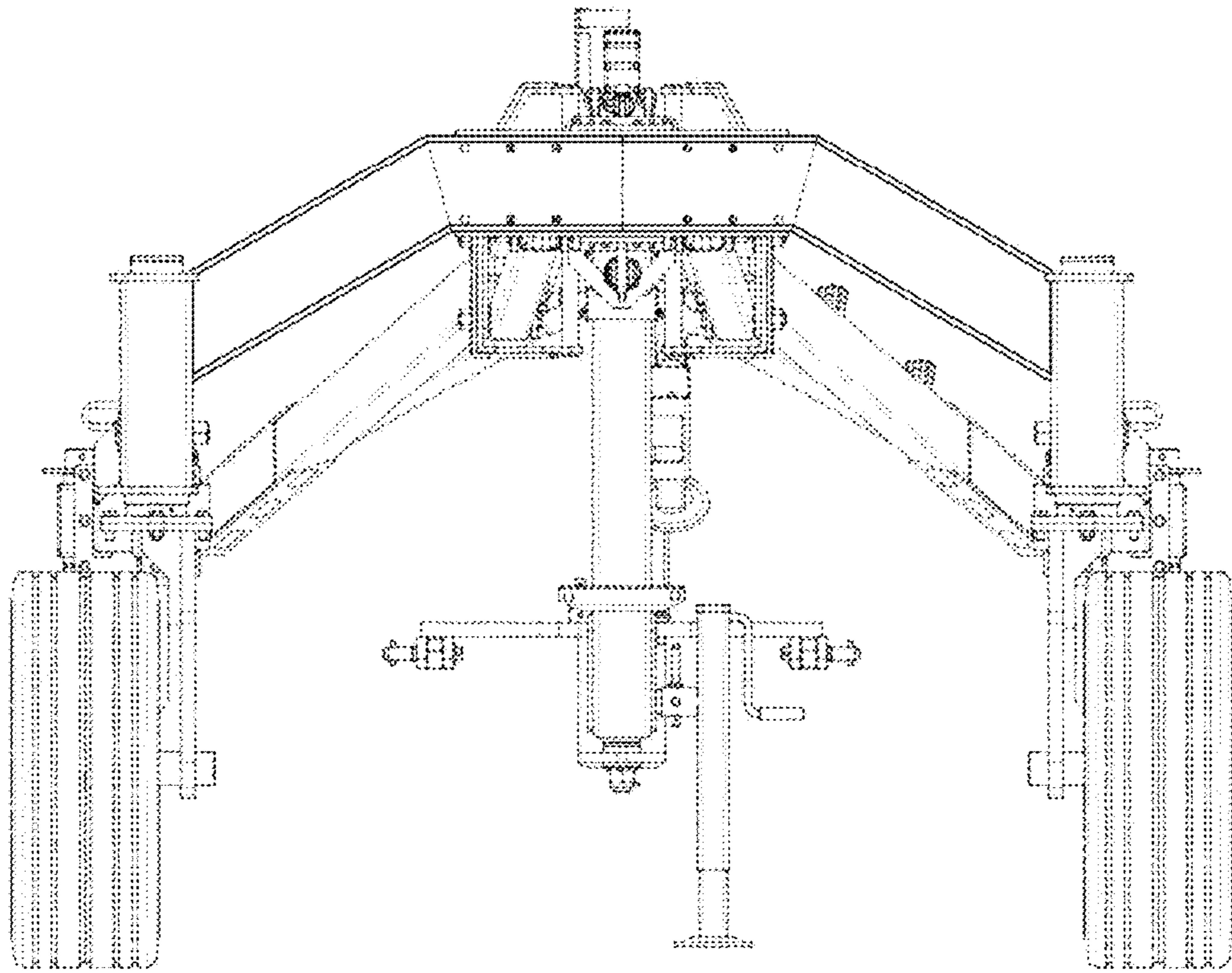


FIG. 2

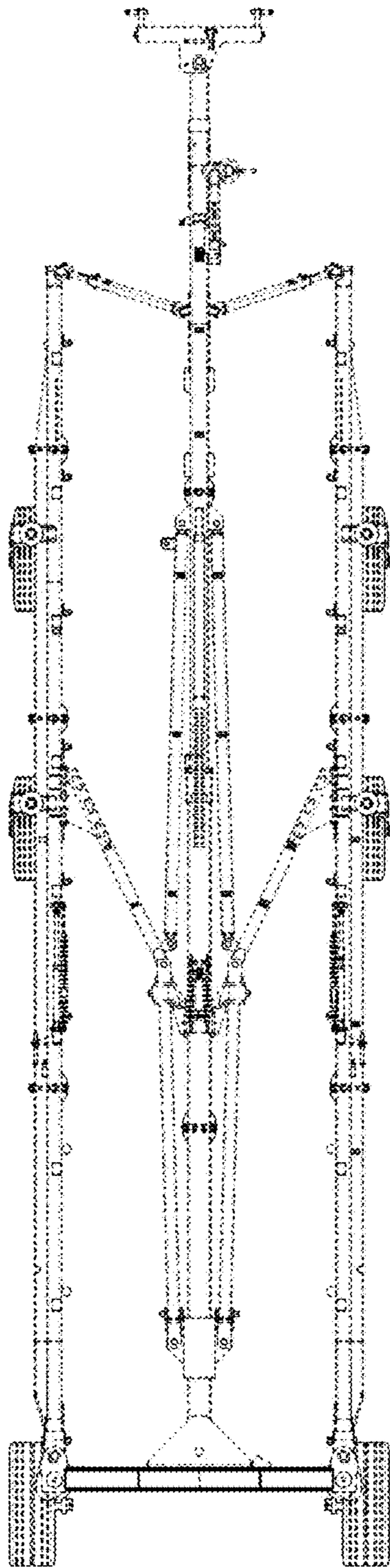


FIG. 3

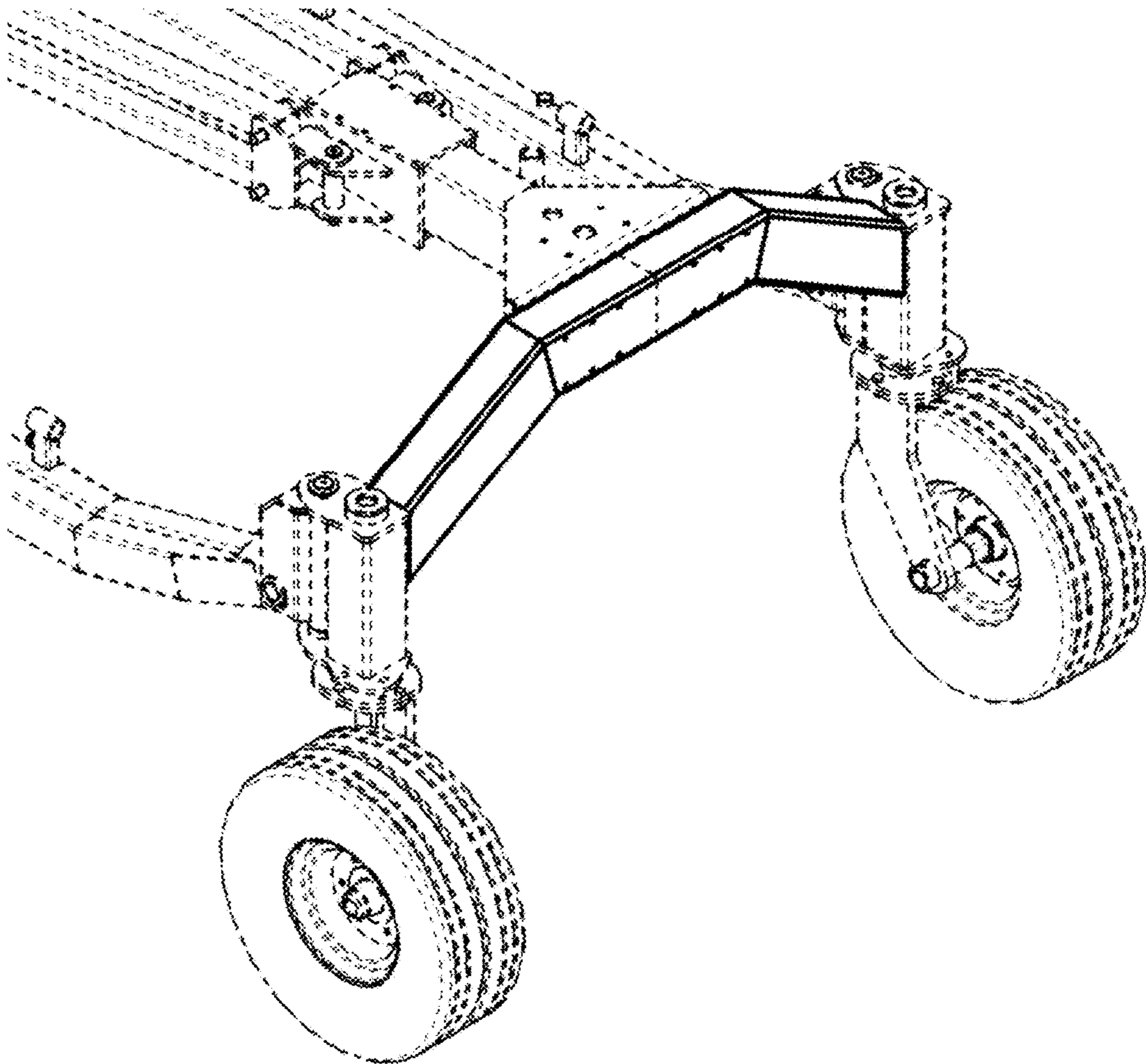


FIG. 4

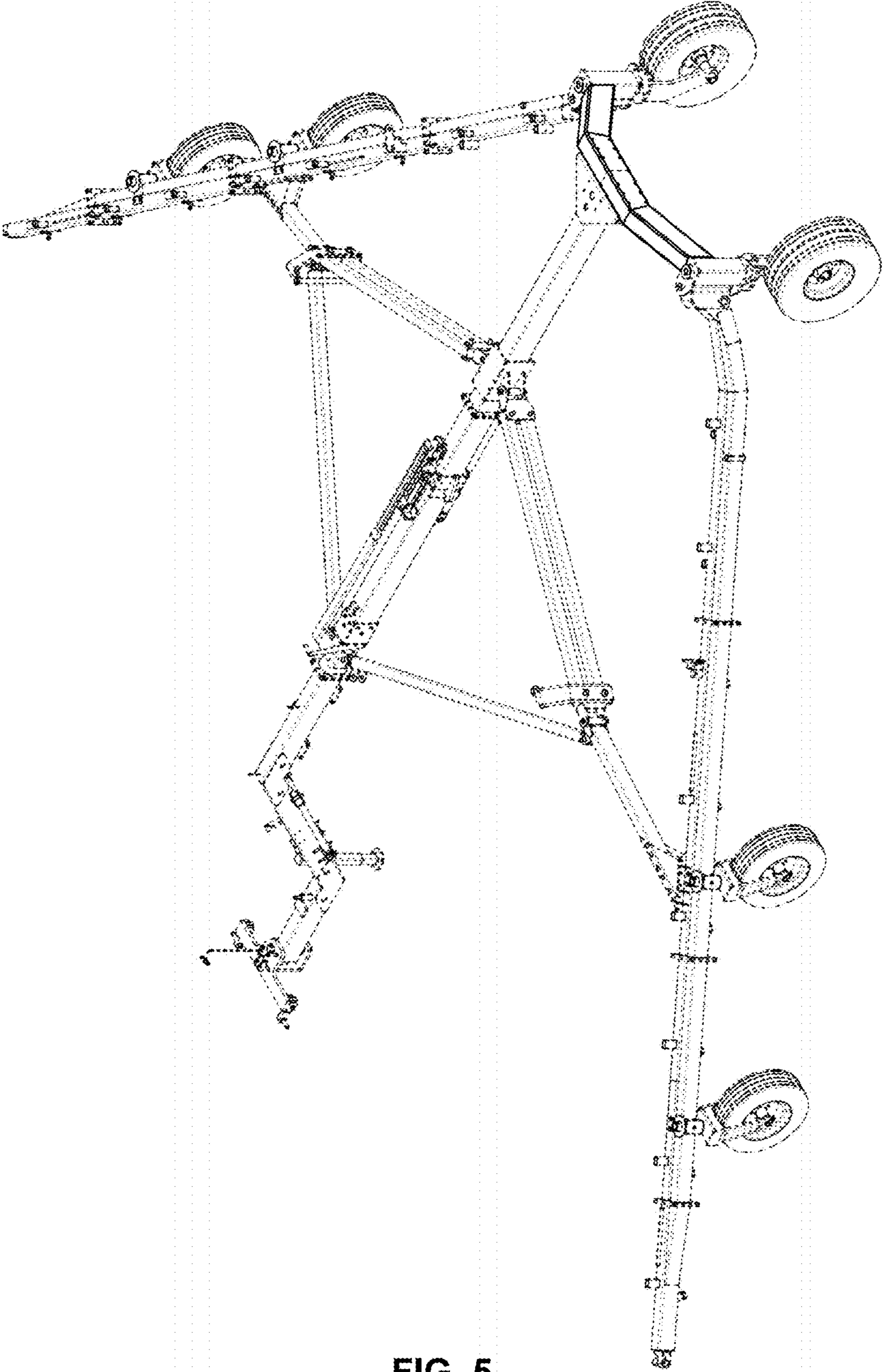


FIG. 5