



US00D860265S

(12) **United States Design Patent**
Zabe et al.

(10) **Patent No.:** **US D860,265 S**
(45) **Date of Patent:** **** Sep. 17, 2019**

- (54) **AGRICULTURAL BALER**
- (71) Applicant: **Deere & Company**, Moline, IL (US)
- (72) Inventors: **Mickael Zabe**, Ougney (FR);
Emmanuel Chapon, Velet (FR);
Sebastien Guerin, Audeux (FR)
- (73) Assignee: **DEERE & COMPANY**, Moline, IL (US)
- (**) Term: **15 Years**
- (21) Appl. No.: **29/679,696**
- (22) Filed: **Feb. 8, 2019**

Related U.S. Application Data

- (62) Division of application No. 29/584,314, filed on Nov. 14, 2016, now Pat. No. Des. 847,867.

Foreign Application Priority Data

- May 17, 2016 (EM) 003131846
- (51) **LOC (12) Cl.** **15-03**
- (52) **U.S. Cl.**
USPC **D15/27**
- (58) **Field of Classification Search**
USPC D15/27, 28, 33, 10, 17; 414/24.5;
100/4, 5, 8, 88, 100; 56/341-343, 432,
56/202
CPC A01F 15/00; A01F 15/085; A01F 15/0715;
A01F 15/08; A01F 15/07; A01F 15/0883
See application file for complete search history.

References Cited

U.S. PATENT DOCUMENTS

- D184,568 S * 3/1959 Kermes D15/27
- D188,800 S * 9/1960 Kermes et al. D15/27

- D207,855 S * 6/1967 Kermes D15/27
- 3,913,473 A * 10/1975 Meiers A01F 15/141
100/5
- D238,501 S * 1/1976 Gaeddert et al. D15/27
- D242,572 S * 11/1976 Grist et al. D15/27
- D268,678 S * 4/1983 Swenson D15/27
- 5,131,214 A * 7/1992 Vermeer A01F 15/0833
100/88
- 5,138,942 A * 8/1992 Henderson A01F 15/07
100/88
- 5,231,828 A * 8/1993 Swearingen A01F 15/0715
100/5
- 5,257,885 A * 11/1993 Reil A01D 87/127
280/490.1
- D357,688 S * 4/1995 Sprague D15/10
- D388,440 S * 12/1997 Bentley D15/13
- D412,507 S * 8/1999 Underhill D15/27
- 6,857,251 B2 * 2/2005 McClure A01F 15/141
100/912
- D600,253 S * 9/2009 Jacobs D15/10
- D626,972 S * 11/2010 Hoover D15/27
- D702,263 S * 4/2014 Jacobsthal D15/27
- D796,558 S * 9/2017 Johnson D15/28

(Continued)

Primary Examiner — Mark A Goodwin

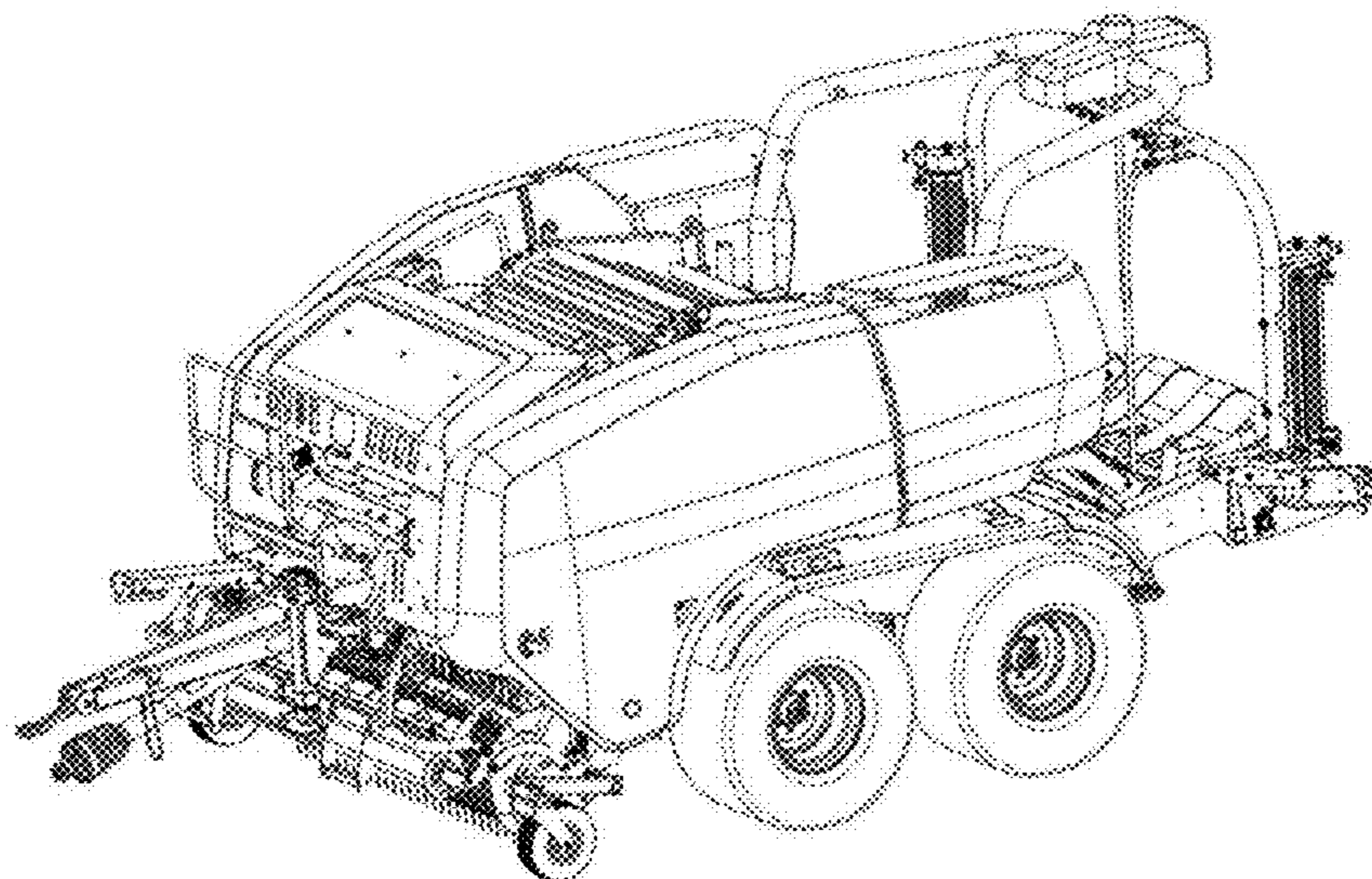
(57) **CLAIM**

The ornamental design for an agricultural baler, as shown and described.

DESCRIPTION

FIG. 1 is a front perspective view of an agricultural baler showing our new design;
 FIG. 2 is a left side view thereof;
 FIG. 3 is a right side view thereof;
 FIG. 4 is a front end view thereof;
 FIG. 5 is a rear end view thereof;
 FIG. 6 is a top plan view thereof; and,
 FIG. 7 is a bottom plan view thereof.
 The broken lines in the drawings are for environmental purposes only and form no part of the claimed design.

1 Claim, 7 Drawing Sheets



(56)

References Cited

U.S. PATENT DOCUMENTS

D797,158 S * 9/2017 Johnson D15/28
2013/0133530 A1 * 5/2013 Roberge A01F 15/0883
100/88

* cited by examiner

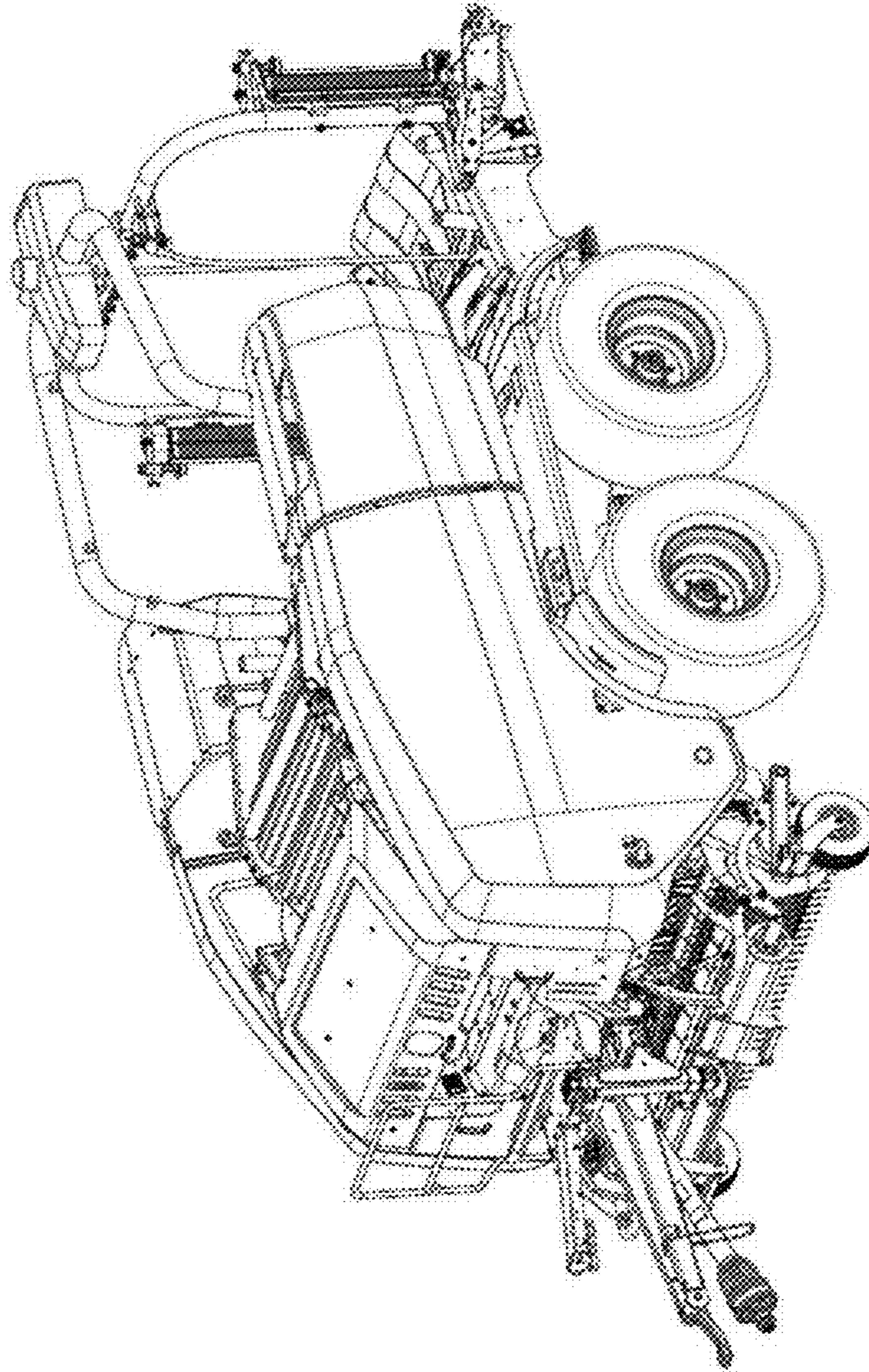


FIG. 1

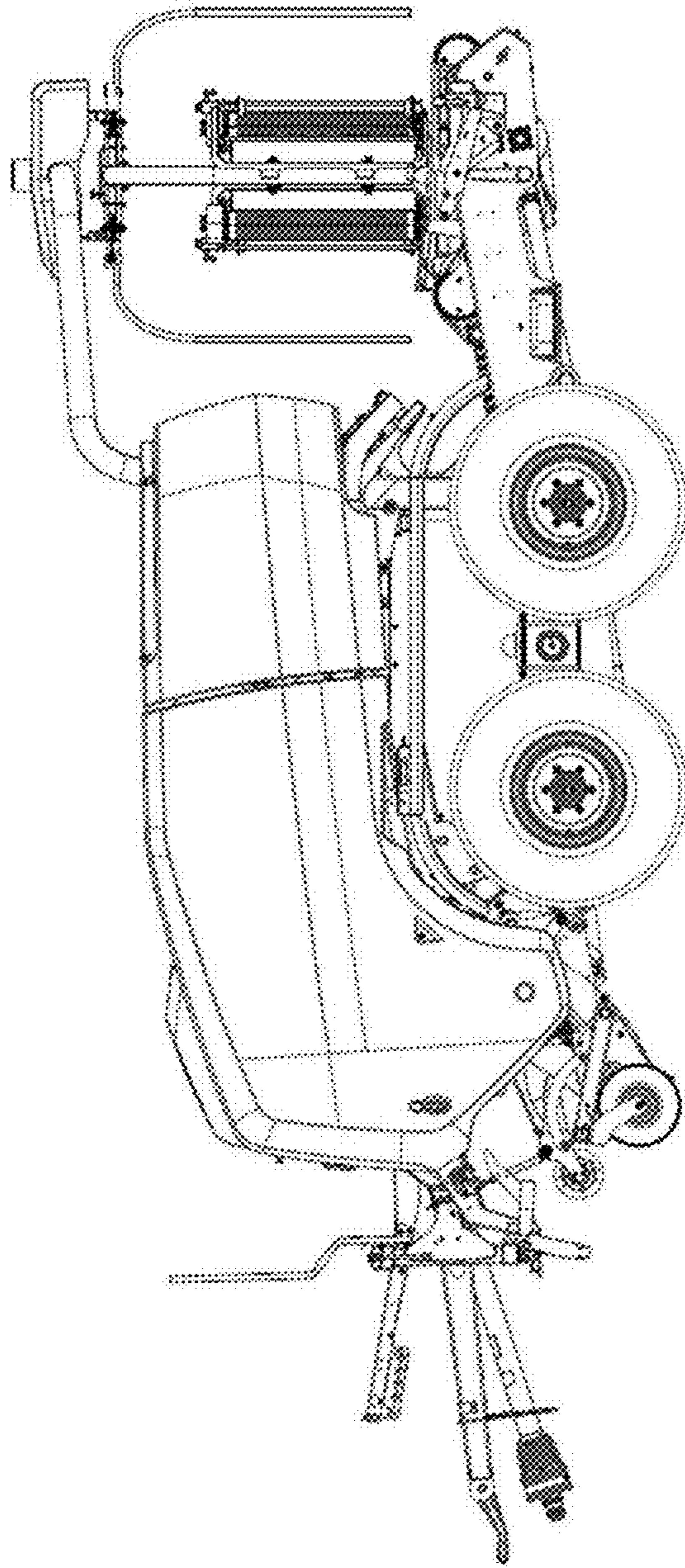


FIG. 2

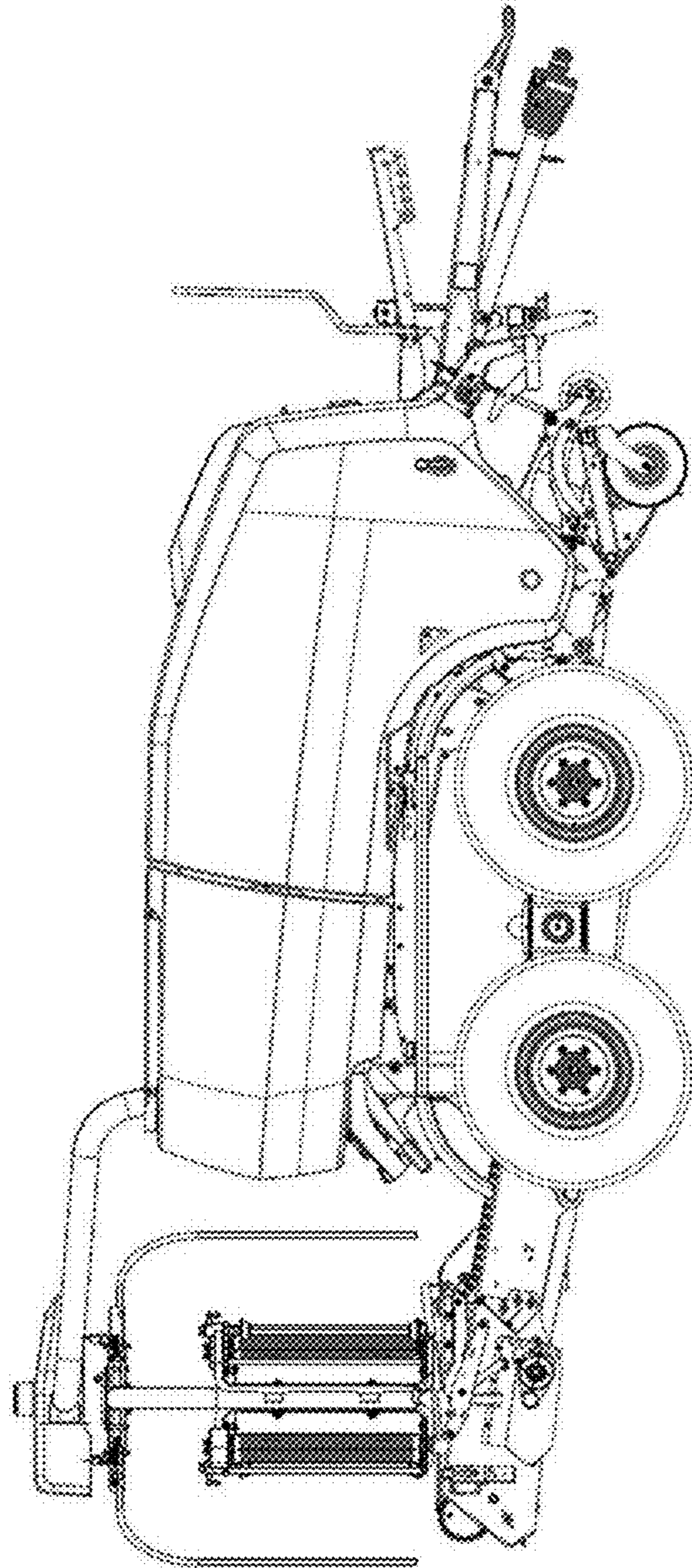


FIG. 3

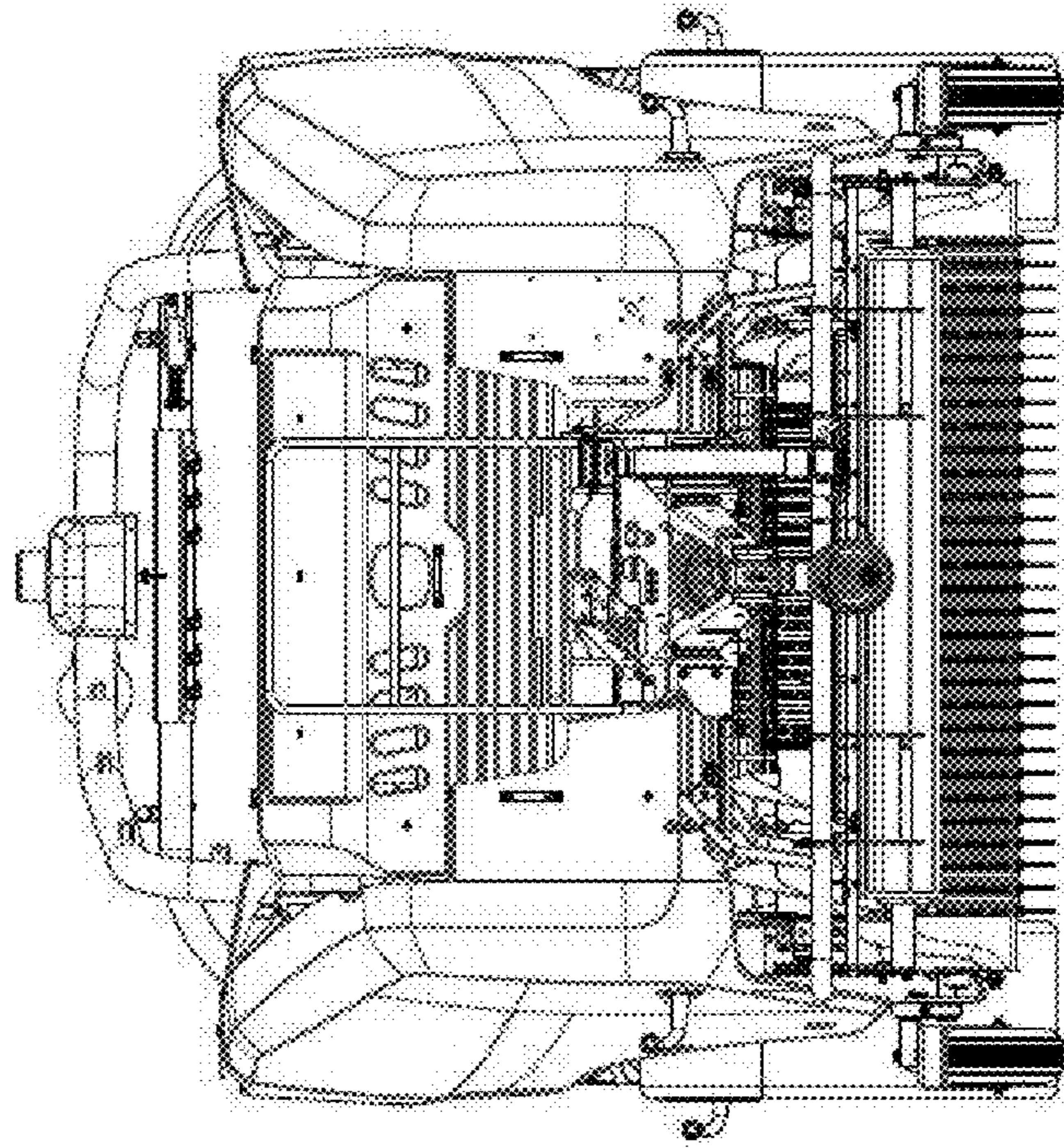


FIG. 4

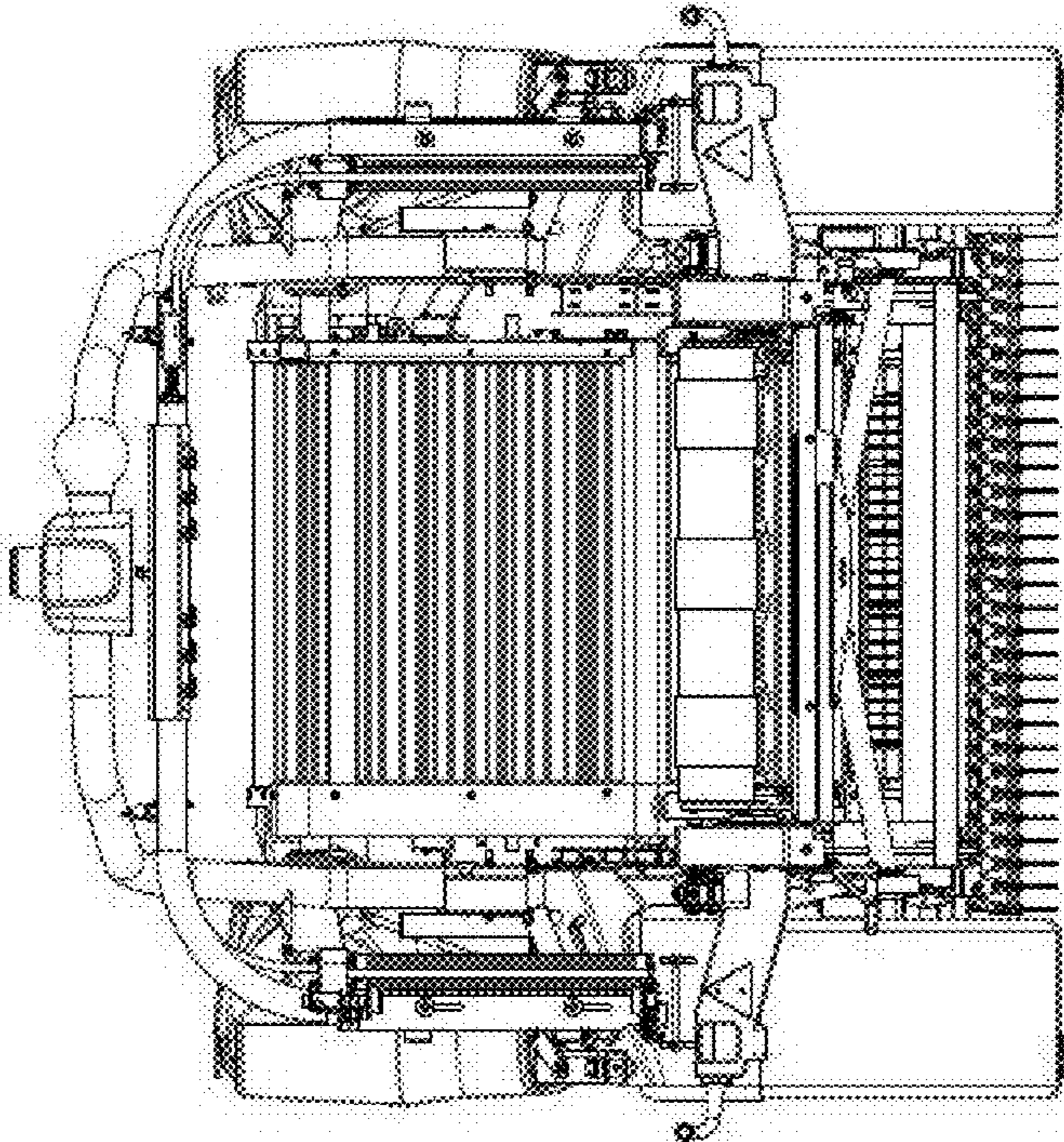


FIG. 5

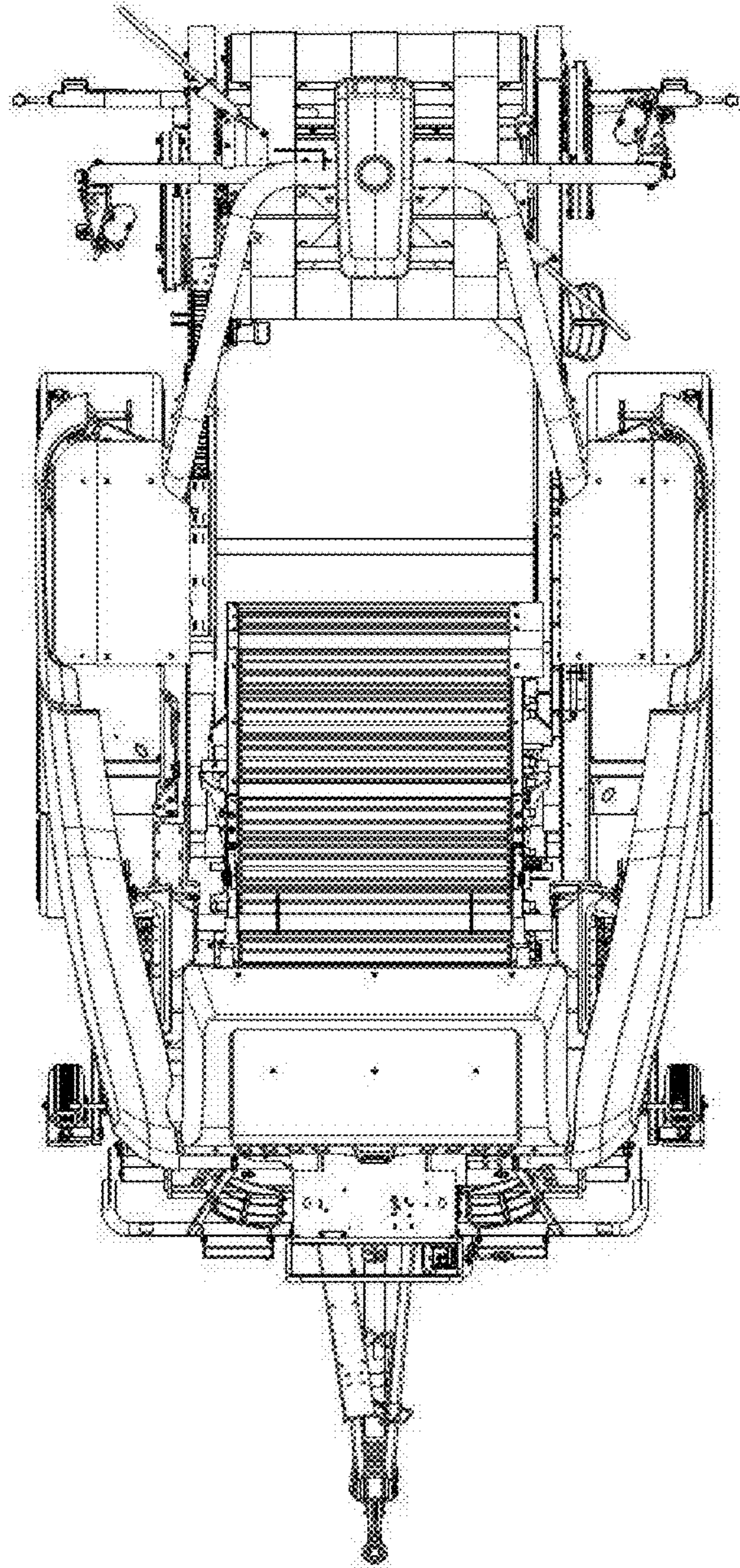


FIG. 6

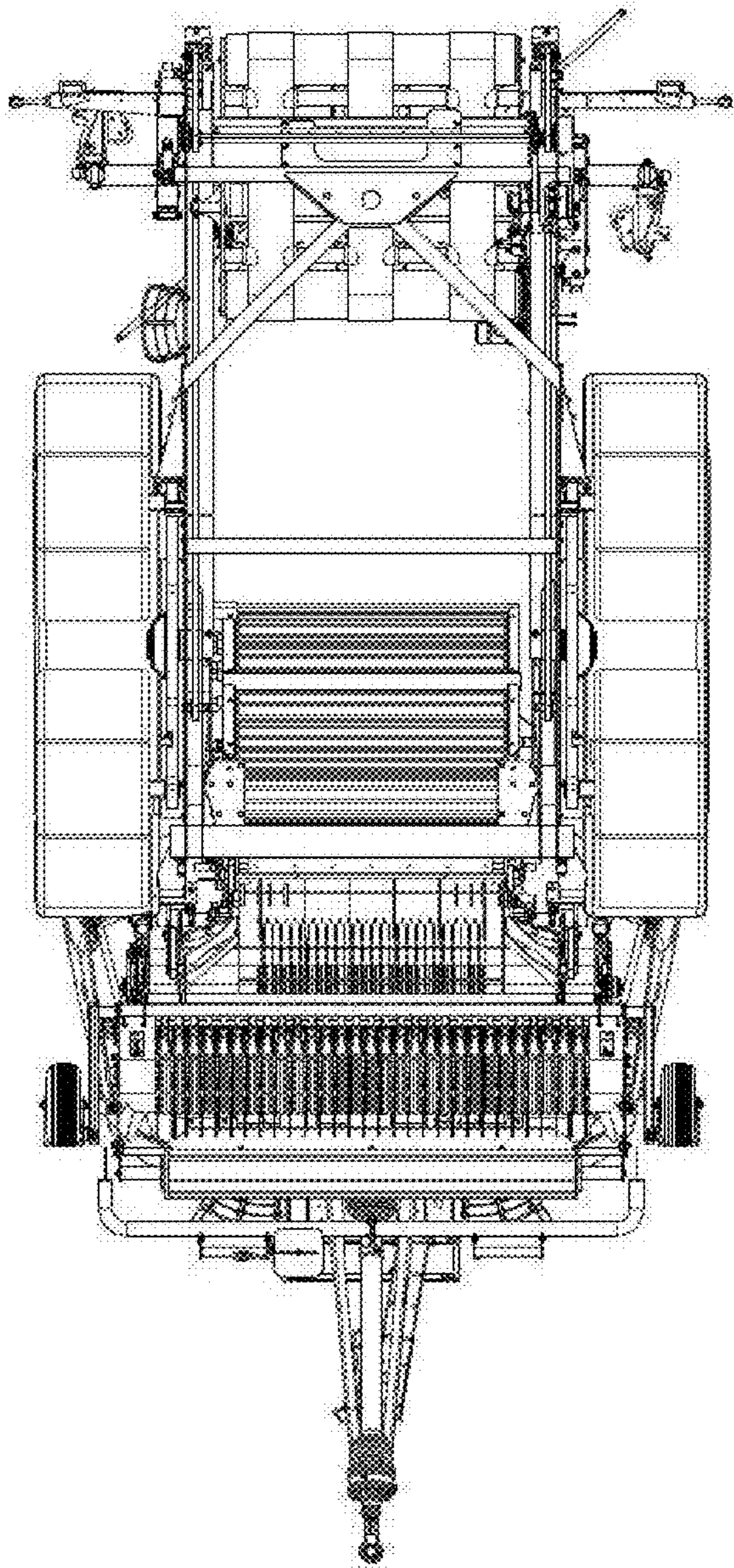


FIG. 7