

US00D860264S

(12) **United States Design Patent** (10) **Patent No.:** **US D860,264 S**
Westwood et al. (45) **Date of Patent:** **** Sep. 17, 2019**

(54) **ENCAPSULATED CONDUITS HAVING JACKET WITH SECTIONS OF REDUCED MATERIAL**

5,218,659 A * 6/1993 Schneider G02B 6/4407
385/110
D346,546 S * 5/1994 Tesmar, Jr. D8/356
5,442,722 A * 8/1995 DeCarlo G02B 6/4404
385/114
6,169,834 B1 1/2001 Keller
D443,863 S * 6/2001 Maccarone D13/155
D445,205 S * 7/2001 Thaler D25/199
D450,280 S * 11/2001 Brumfield D12/180
6,728,455 B2 * 4/2004 Kusakari G02B 6/4429
385/113

(71) Applicant: **MID-SOUTH CONTROL LINE, LLC**, Harvey, LA (US)
(72) Inventors: **Clifford Westley Westwood**, Conroe, TX (US); **Richard Joseph Baudier**, Spring, TX (US); **Blaise John Cobert**, Spring, TX (US)

(Continued)

(73) Assignee: **Mid-South Control Line, LLC**, Harvey, LA (US)

OTHER PUBLICATIONS

(**) Term: **15 Years**

PCT International Search Report and Written Opinion dated Apr. 4, 2018.

(21) Appl. No.: **29/633,765**

Primary Examiner — Mark A Goodwin

(22) Filed: **Jan. 16, 2018**

(74) *Attorney, Agent, or Firm* — Ted M. Anthony

(51) **LOC (12) Cl.** **15-03**

(52) **U.S. Cl.**
USPC **D15/21**

(57) **CLAIM**

(58) **Field of Classification Search**
USPC D15/21, 10, 17, 28; D13/155, 199, 153,
D13/157; 138/146

The ornamental design for encapsulated conduits having jacket with sections of reduced material, as shown and described.

CPC B29C 70/865; B29C 70/72; B29C 43/18;
B29C 48/21; B29C 48/06; B29C 48/151;
B29C 48/12; B29C 2043/182; B29C
2049/2004; B29C 2793/0063; B32B 1/08
See application file for complete search history.

DESCRIPTION

(56) **References Cited**

U.S. PATENT DOCUMENTS

220,765 A * 10/1879 Linford F16L 58/182
285/55
3,004,330 A * 10/1961 Wilkins B21C 37/14
138/115
D285,192 S * 8/1986 Hubbard D13/155
4,707,074 A * 11/1987 Heywood G02B 6/4495
385/105
4,729,628 A * 3/1988 Kraft G02B 6/4403
174/117 F

FIG. 1 is a side perspective view of an encapsulated conduits having jacket with sections of reduced material of the present invention.

FIG. 2 is a first end view thereof.

FIG. 3 is a second end view thereof.

FIG. 4 is a first side view thereof.

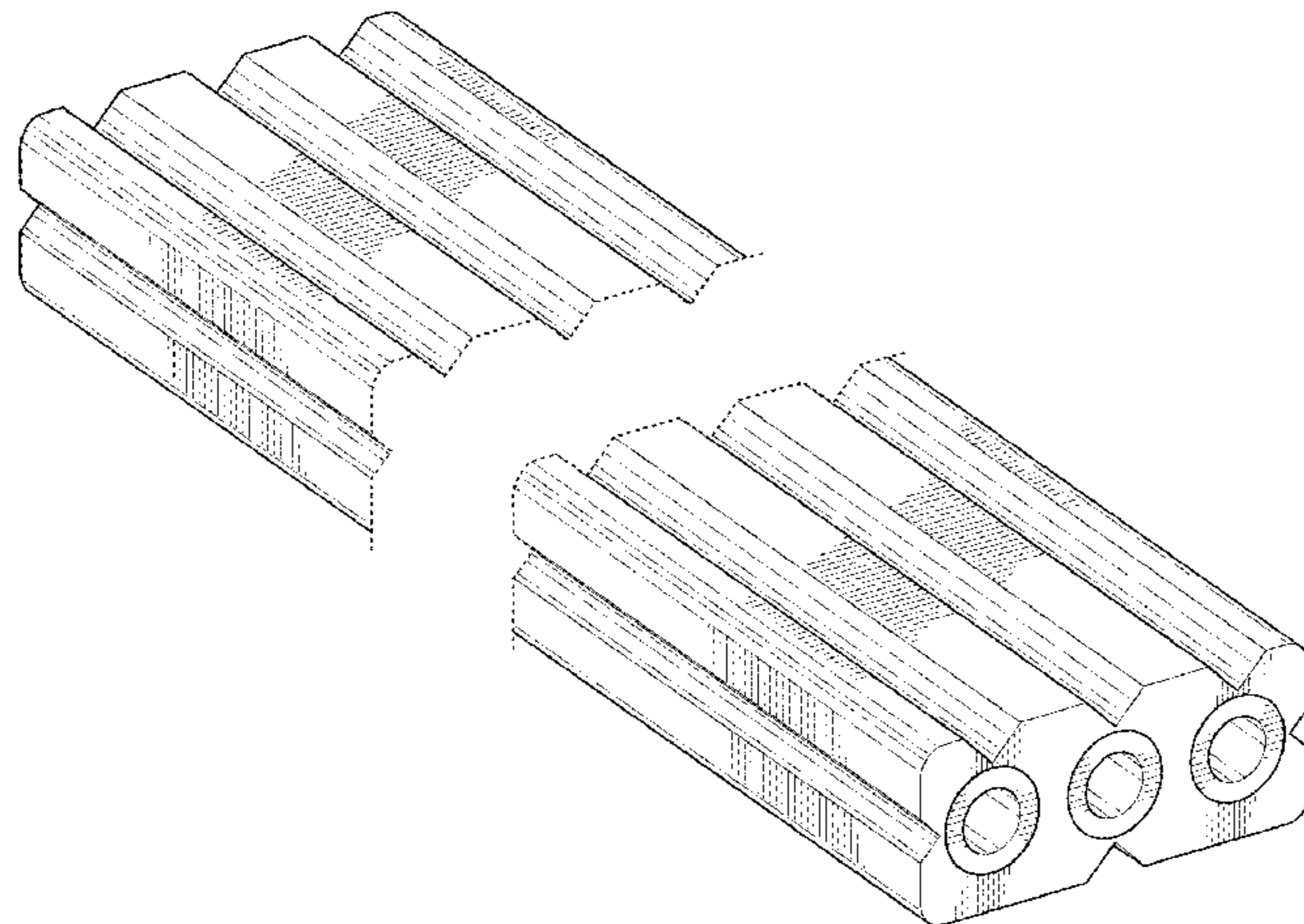
FIG. 5 is a second side view thereof.

FIG. 6 is an overhead view thereof; and,

FIG. 7 is a bottom view thereof.

The broken line showing of a break in the middle of the design in FIGS. 1 and 4-7 is included for the purpose of illustrating indeterminate length and forms no part of the claimed design.

1 Claim, 5 Drawing Sheets



(56)

References Cited

U.S. PATENT DOCUMENTS

7,471,862	B2 *	12/2008	Bringuier	G02B 6/02357				
					385/113			
7,567,741	B2 *	7/2009	Abemathy	G02B 6/381				
					385/100			
7,603,012	B1 *	10/2009	Ice	G02B 6/4495				
					385/100			
D680,966	S *	4/2013	Gross	D13/155				
D680,967	S *	4/2013	Gross	D13/155				
D680,968	S *	4/2013	Gross	D13/155				
D680,969	S *	4/2013	Gross	D13/155				
8,682,124	B2	3/2014	Logan					
D709,460	S *	7/2014	Clifton	D13/156				
D755,728	S *	5/2016	Smith	D13/155				
9,472,314	B2 *	10/2016	Kachmar	H01B 1/026				
D774,628	S *	12/2016	Provenzano	D23/262				
D790,476	S *	6/2017	Landqvist	D13/155				
9,720,201	B2 *	8/2017	Abemathy	G02B 6/4495				
2003/0068146	A1 *	4/2003	Nechitailo	G02B 6/4434				
					385/103			
2006/0045443	A1 *	3/2006	Blazer	G02B 6/4404				
					385/114			
2006/0291787	A1 *	12/2006	Seddon	G02B 6/4433				
					385/113			
2008/0048011	A1	2/2008	Weller					
2008/0193092	A1 *	8/2008	Greenwood	G02B 6/4494				
					385/113			
2009/0087148	A1 *	4/2009	Bradley	G02B 6/4432				
					385/76			
2009/0274425	A1 *	11/2009	Caldwell	G02B 6/4433				
					385/102			
2009/0274426	A1 *	11/2009	Lail	G02B 6/4486				
					385/105			
2009/0317039	A1 *	12/2009	Blazer	G02B 6/443				
					385/107			
2009/0324182	A1 *	12/2009	Kachmar	G02B 6/3887				
					385/104			
2011/0229098	A1 *	9/2011	Abemathy	G02B 6/4402				
					385/102			
2013/0108226	A1	5/2013	Gimblet et al.					
2015/0253526	A1	9/2015	Sandate Aguilar et al.					
2016/0155539	A1	6/2016	Joyce					
2016/0290536	A1	10/2016	Mccooy					
2018/0200970	A1 *	7/2018	Westwood	B29C 70/865				

* cited by examiner

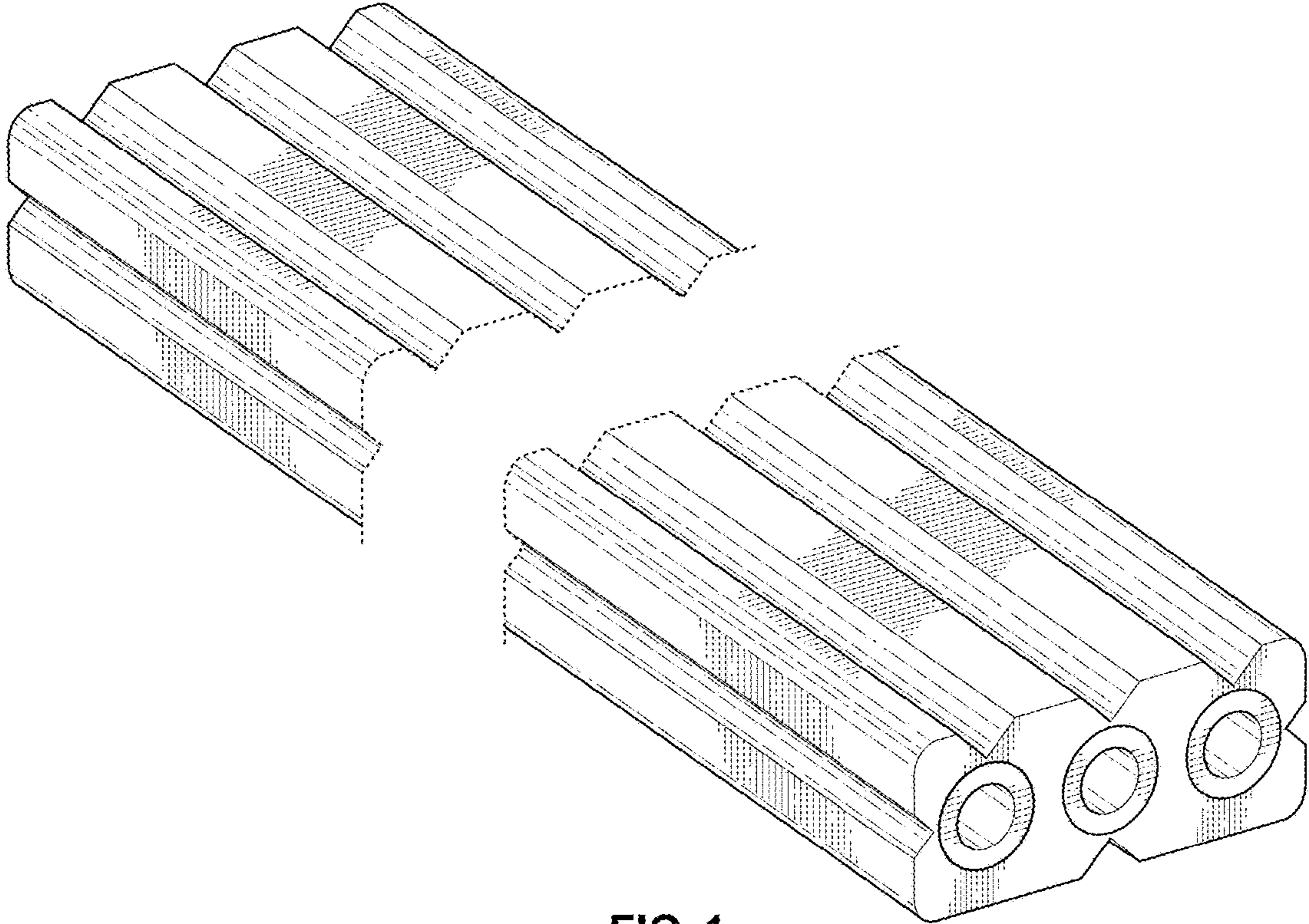


FIG. 1

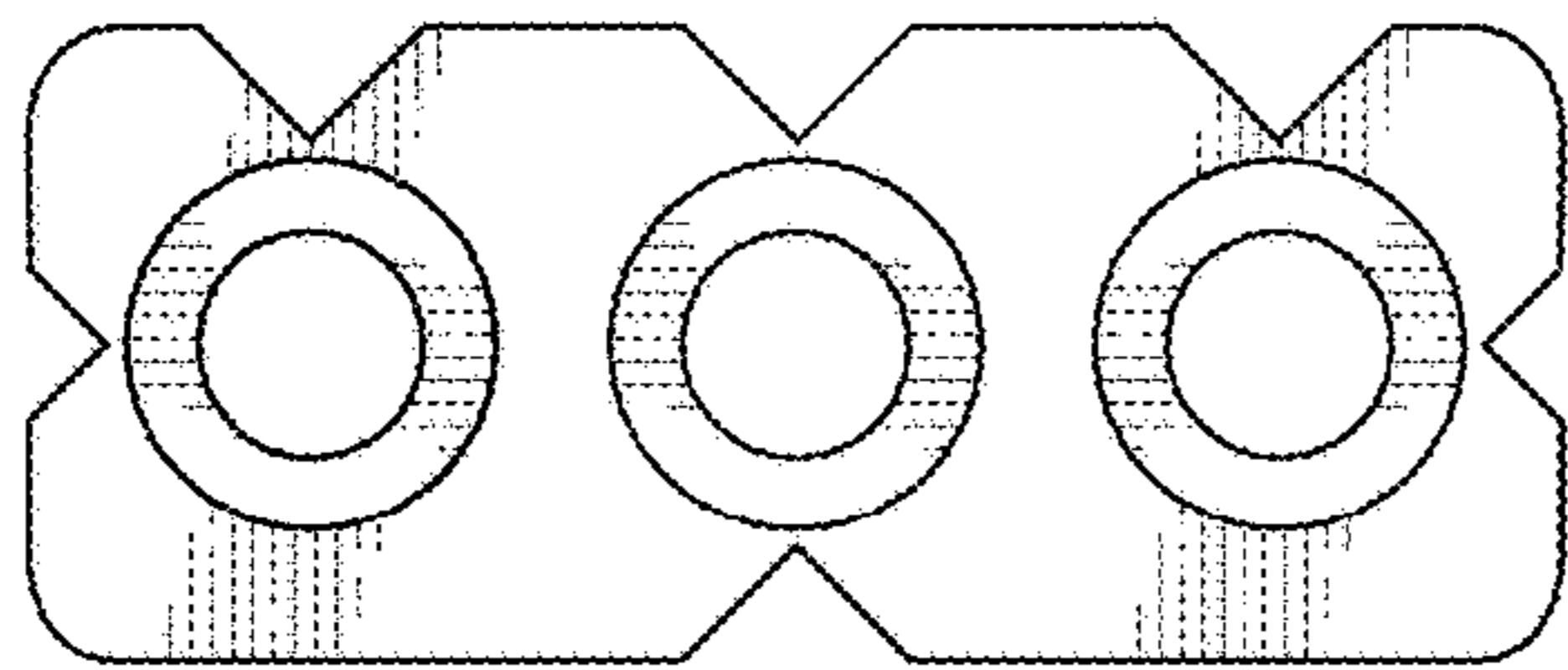


FIG. 2

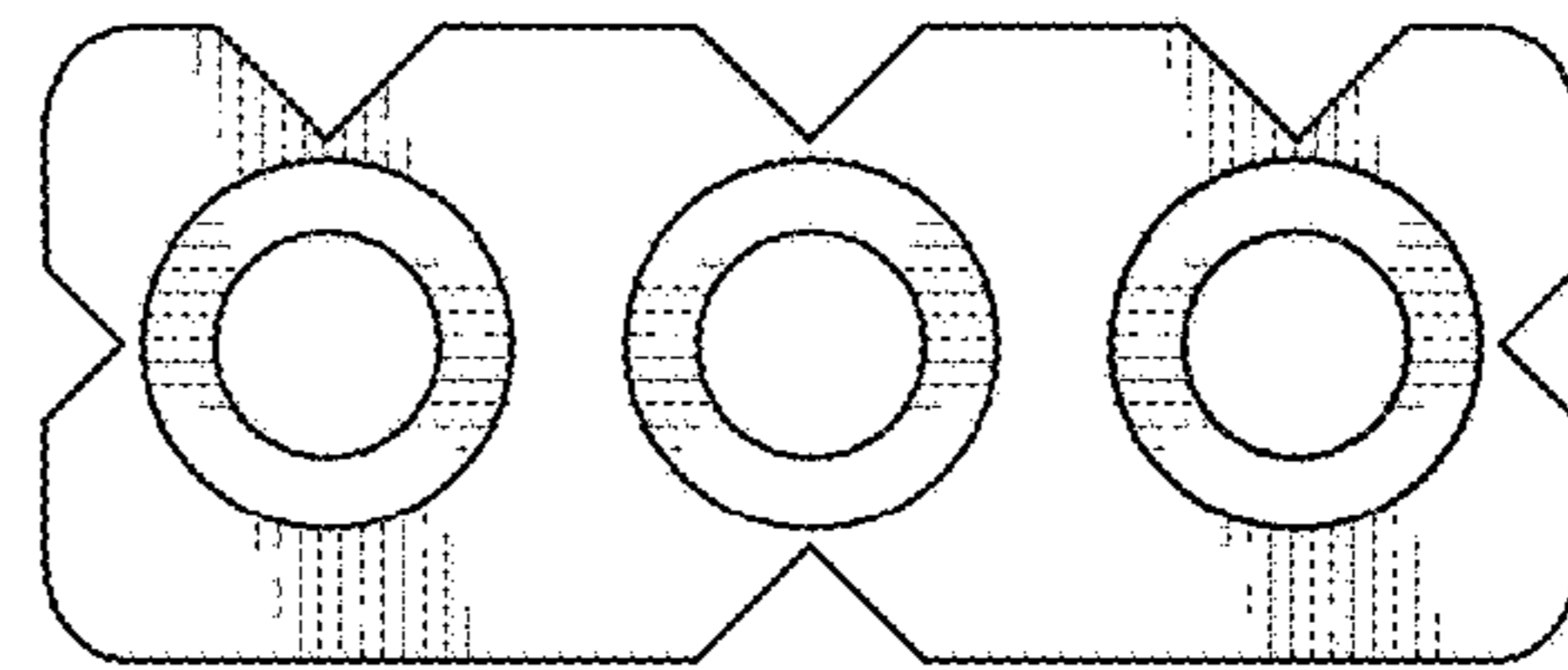


FIG. 3

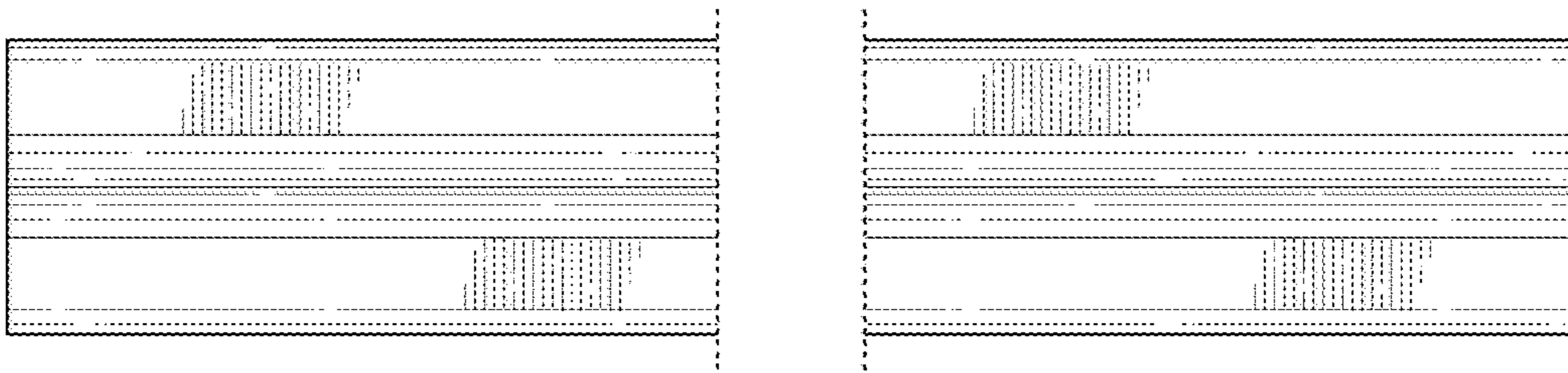


FIG. 4

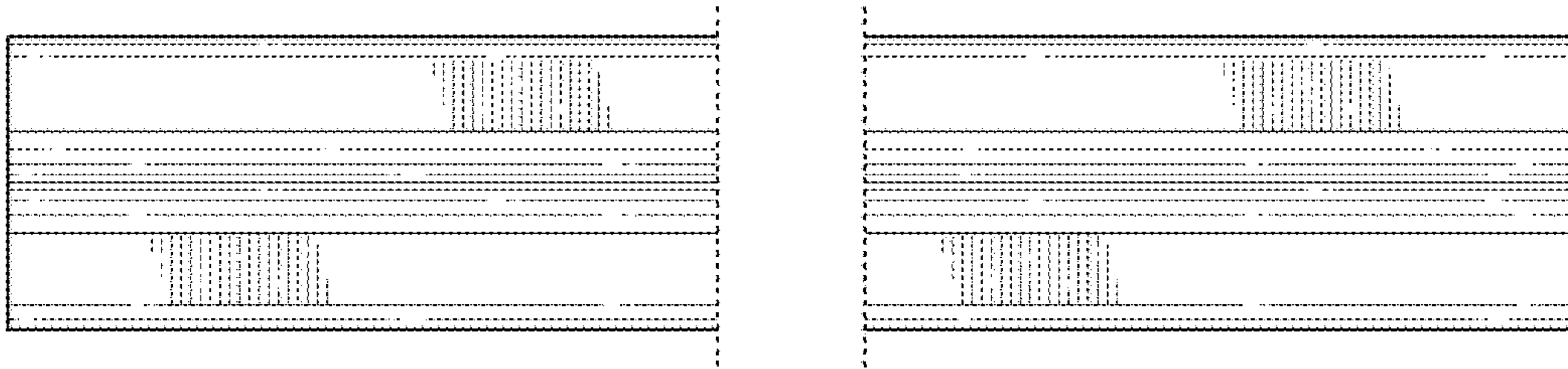


FIG. 5

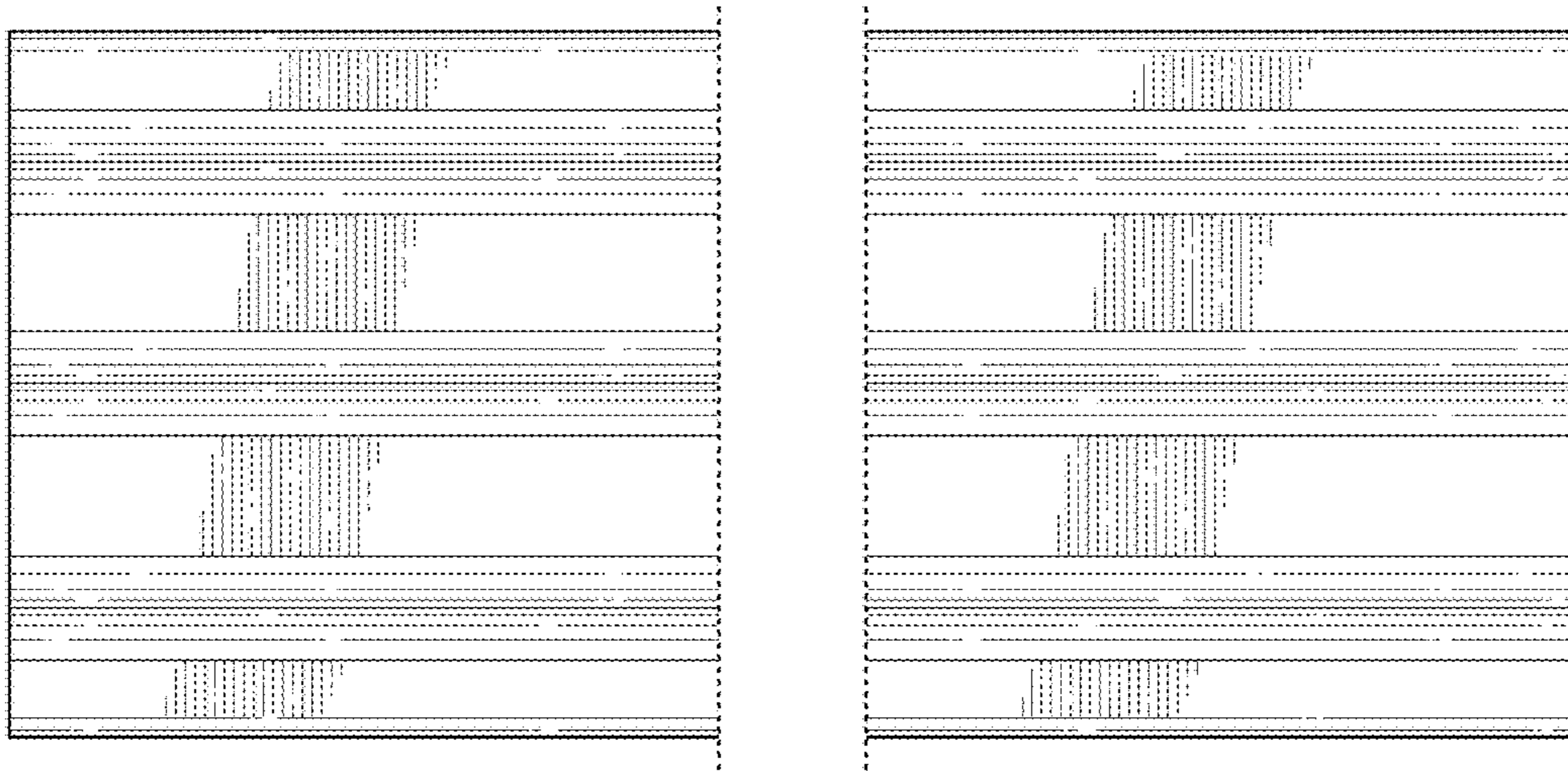


FIG. 6

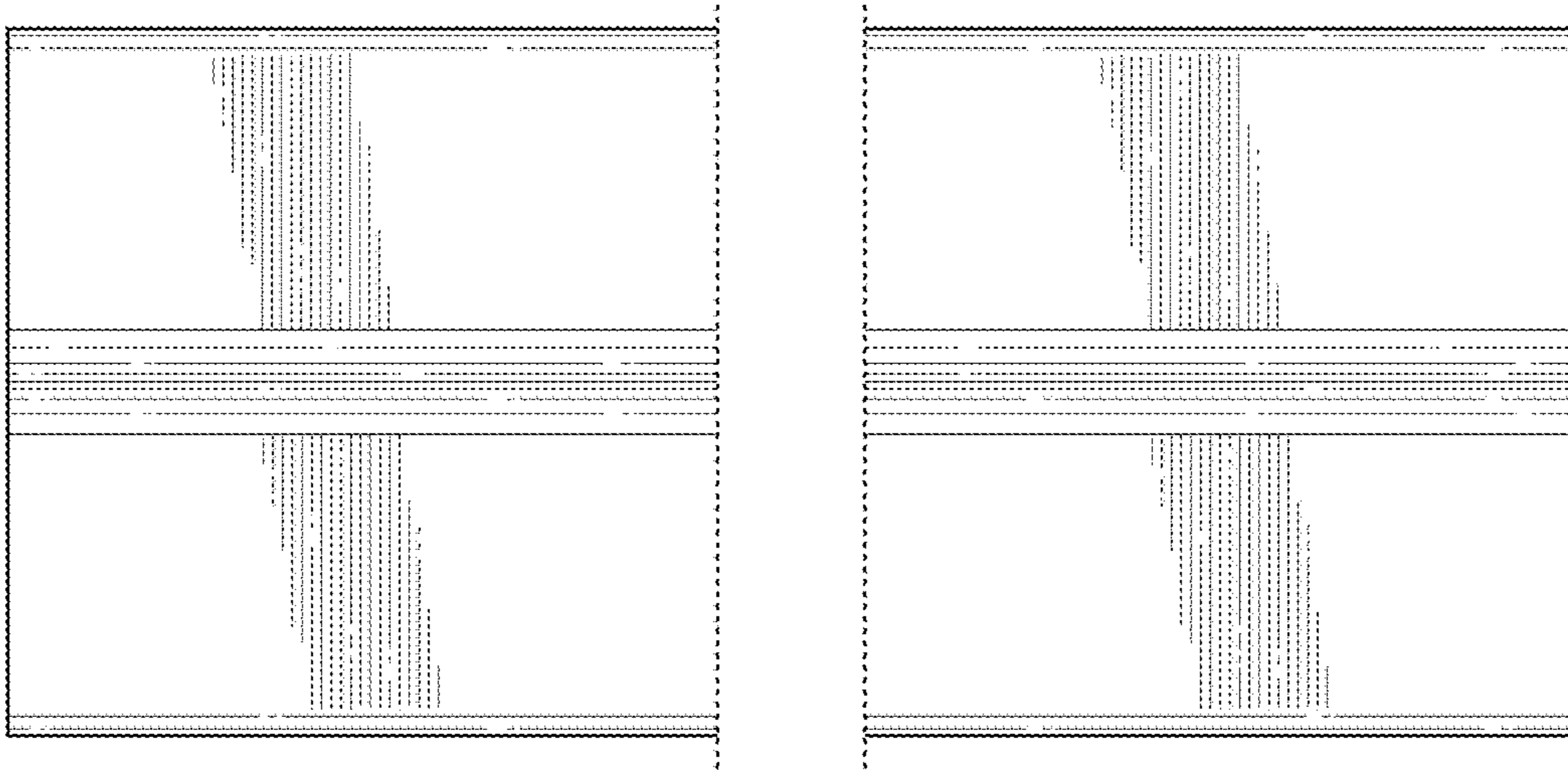


FIG. 7