



US00D860263S

(12) **United States Design Patent** (10) **Patent No.:** **US D860,263 S**  
**Westwood et al.** (45) **Date of Patent:** **\*\* Sep. 17, 2019**

(54) **ENCAPSULATED CONDUIT HAVING JACKET WITH SECTIONS OF REDUCED MATERIAL**

5,218,659 A \* 6/1993 Schneider ..... G02B 6/4407  
385/110  
D346,546 S \* 5/1994 Tesmar, Jr. .... D8/356  
5,442,722 A \* 8/1995 DeCarlo ..... G02B 6/4404  
385/114  
6,169,834 B1 1/2001 Keller  
D443,863 S \* 6/2001 Maccarone ..... D13/155  
D445,205 S \* 7/2001 Thaler ..... D25/199  
D450,280 S \* 11/2001 Brumfield ..... D12/180  
6,728,455 B2 \* 4/2004 Kusakari ..... G02B 6/4429  
385/113

(71) Applicant: **MID-SOUTH CONTROL LINE, LLC**, Harvey, LA (US)  
(72) Inventors: **Clifford Westley Westwood**, Conroe, TX (US); **Richard Joseph Baudier**, Spring, TX (US); **Blaise John Cobert**, Spring, TX (US)

(Continued)

(73) Assignee: **Mid-South Control Line, LLC**, Harvey, LA (US)

**OTHER PUBLICATIONS**

(\*\*) Term: **15 Years**

PCT International Search Report and Written Opinion dated Apr. 4, 2018.

(21) Appl. No.: **29/633,764**

*Primary Examiner* — Mark A Goodwin

(22) Filed: **Jan. 16, 2018**

(74) *Attorney, Agent, or Firm* — Ted M. Anthony

(51) **LOC (12) Cl.** ..... **15-03**

(52) **U.S. Cl.**  
USPC ..... **D15/21**

(57) **CLAIM**

(58) **Field of Classification Search**  
USPC ..... D15/21, 10, 17, 28; D13/155, 199, 153,  
D13/157; 138/146

The ornamental design for an encapsulated conduits having jacket with sections of reduced material, as shown and described.

CPC ..... B29C 70/865; B29C 70/72; B29C 43/18;  
B29C 48/21; B29C 48/06; B29C 48/151;  
B29C 48/12; B29C 2043/182; B29C  
2049/2004; B29C 2793/0063; B32B 1/08  
See application file for complete search history.

**DESCRIPTION**

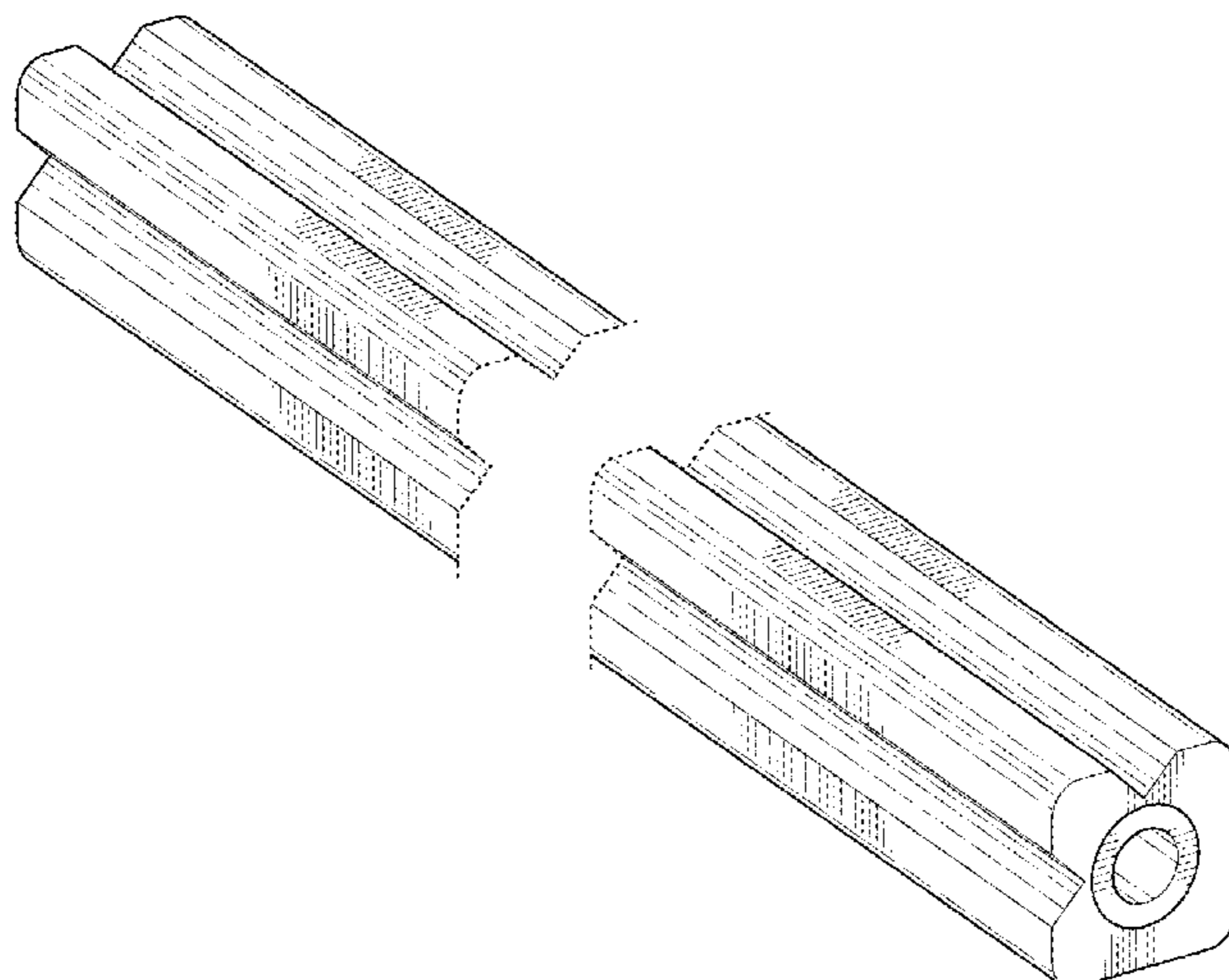
(56) **References Cited**

**U.S. PATENT DOCUMENTS**

220,765 A \* 10/1879 Linford ..... F16L 58/182  
285/55  
3,004,330 A \* 10/1961 Wilkins ..... B21C 37/14  
138/115  
D285,192 S \* 8/1986 Hubbard ..... D13/155  
4,707,074 A \* 11/1987 Heywood ..... G02B 6/4495  
385/105  
4,729,628 A \* 3/1988 Kraft ..... G02B 6/4403  
174/117 F

FIG. 1 is a side perspective view of an encapsulated conduit having jacket with sections of reduced material of the present invention.  
FIG. 2 is a first end view thereof.  
FIG. 3 is a second end view thereof.  
FIG. 4 is an overhead view thereof.  
FIG. 5 is a bottom view thereof.  
FIG. 6 is a first side view thereof; and,  
FIG. 7 is a second side view thereof.  
The broken line showing of a break in the middle of the design in FIGS. 1 and 4-7 is included for the purpose of illustrating indeterminate length and forms no part of the claimed design.

**1 Claim, 4 Drawing Sheets**



(56)

References Cited

U.S. PATENT DOCUMENTS

7,471,862	B2 *	12/2008	Bringuier .....	G02B 6/02357				
					385/113			
7,567,741	B2 *	7/2009	Abernathy .....	G02B 6/381				
					385/100			
7,603,012	B1 *	10/2009	Ice .....	G02B 6/4495				
					385/100			
D680,966	S *	4/2013	Gross .....	D13/155				
D680,967	S *	4/2013	Gross .....	D13/155				
D680,968	S *	4/2013	Gross .....	D13/155				
D680,969	S *	4/2013	Gross .....	D13/155				
8,682,124	B2	3/2014	Logan					
D709,460	S *	7/2014	Clifton .....	D13/156				
D755,728	S *	5/2016	Smith .....	D13/155				
9,472,314	B2 *	10/2016	Kachmar .....	H01B 1/026				
D774,628	S *	12/2016	Provenzano .....	D23/262				
D790,476	S *	6/2017	Landqvist .....	D13/155				
9,720,201	B2 *	8/2017	Abernathy .....	G02B 6/4495				
2003/0068146	A1 *	4/2003	Nechitailo .....	G02B 6/4434				
					385/103			
2006/0045443	A1 *	3/2006	Blazer .....	G02B 6/4404				
					385/114			
2006/0291787	A1 *	12/2006	Seddon .....	G02B 6/4433				
					385/113			
2008/0048011	A1	2/2008	Weller					
2008/0193092	A1 *	8/2008	Greenwood .....	G02B 6/4494				
					385/113			
2009/0087148	A1 *	4/2009	Bradley .....	G02B 6/4432				
					385/76			
2009/0274425	A1 *	11/2009	Caldwell .....	G02B 6/4433				
					385/102			
2009/0274426	A1 *	11/2009	Lail .....	G02B 6/4486				
					385/105			
2009/0317039	A1 *	12/2009	Blazer .....	G02B 6/443				
					385/107			
2009/0324182	A1 *	12/2009	Kachmar .....	G02B 6/3887				
					385/104			
2011/0229098	A1 *	9/2011	Abernathy .....	G02B 6/4402				
					385/102			
2013/0108226	A1	5/2013	Gimblet et al.					
2015/0253526	A1	9/2015	Sandate Aguilar et al.					
2016/0155539	A1	6/2016	Joyce					
2016/0290536	A1	10/2016	Mccooy					
2018/0200970	A1 *	7/2018	Westwood .....	B29C 70/865				

\* cited by examiner

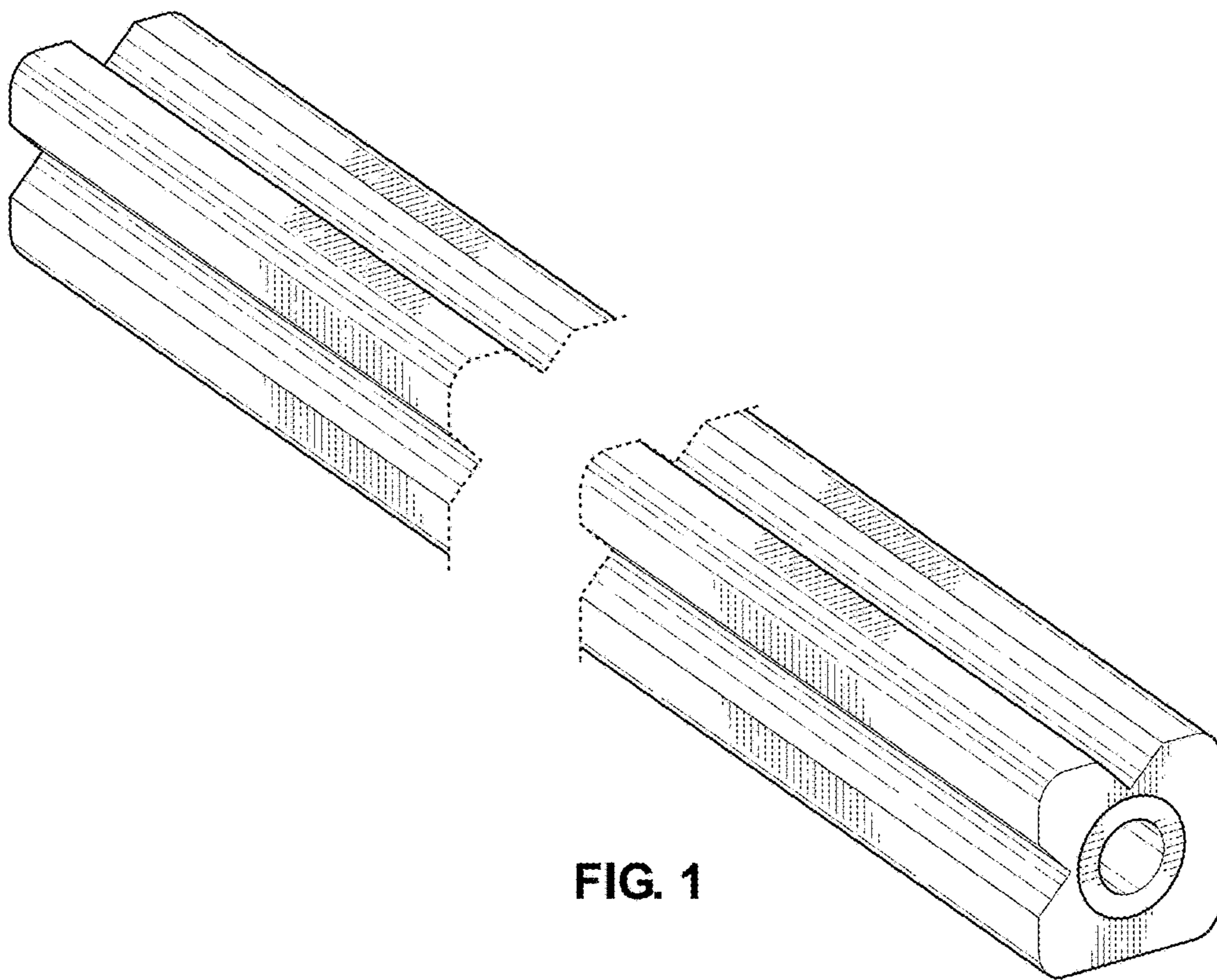


FIG. 1

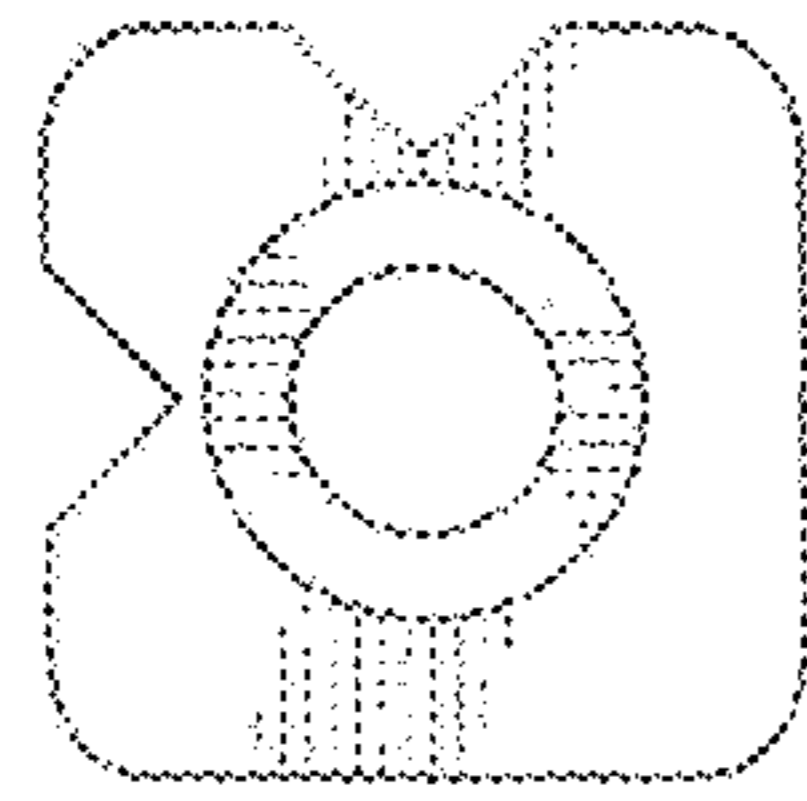


FIG. 2

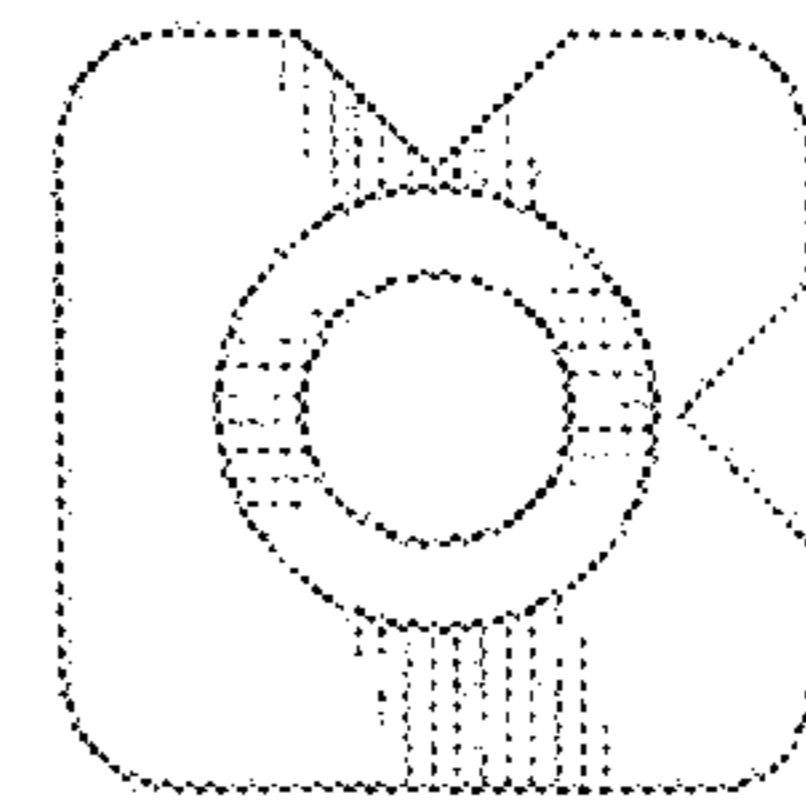


FIG. 3

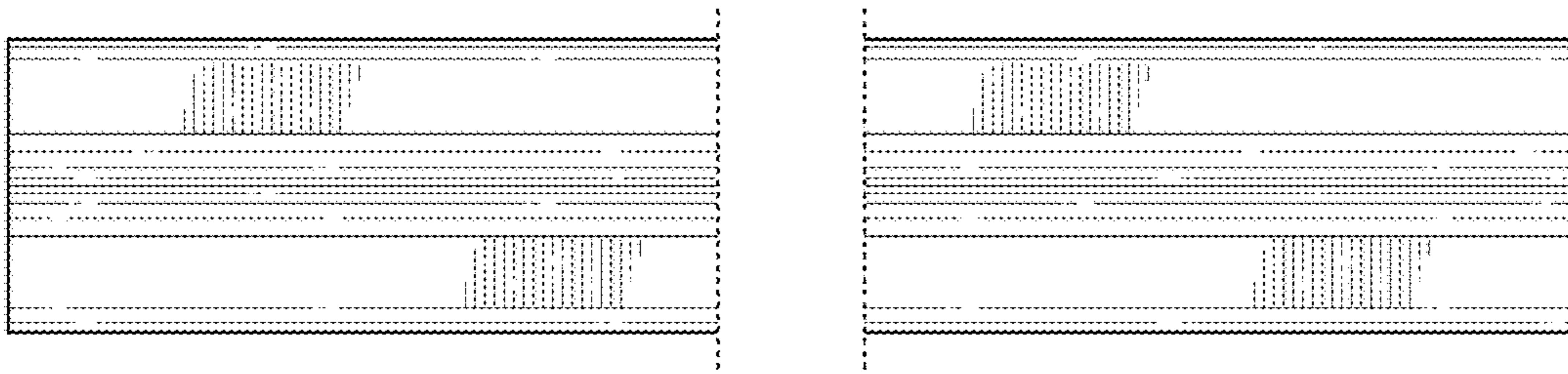


FIG. 4

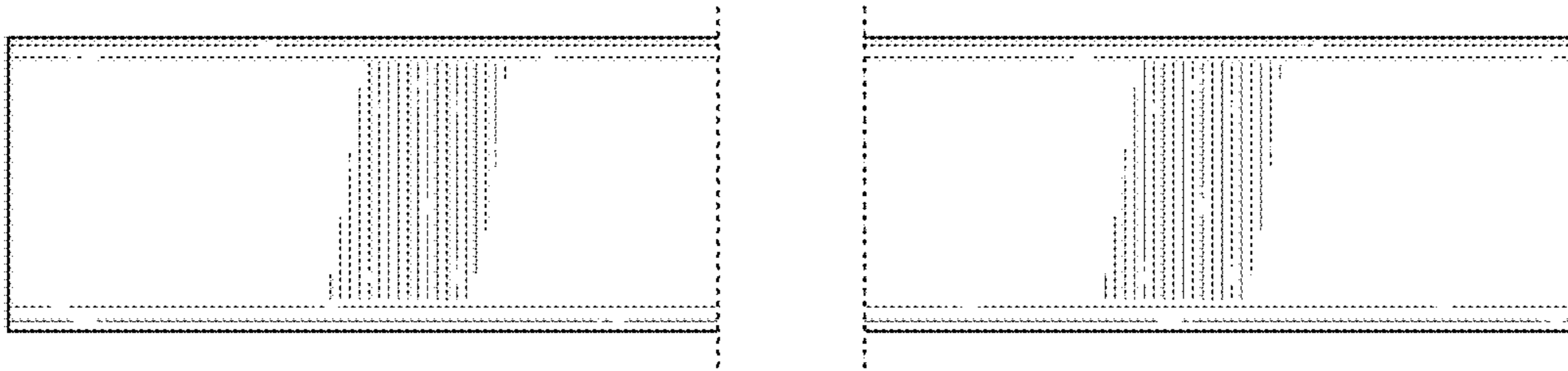


FIG. 5

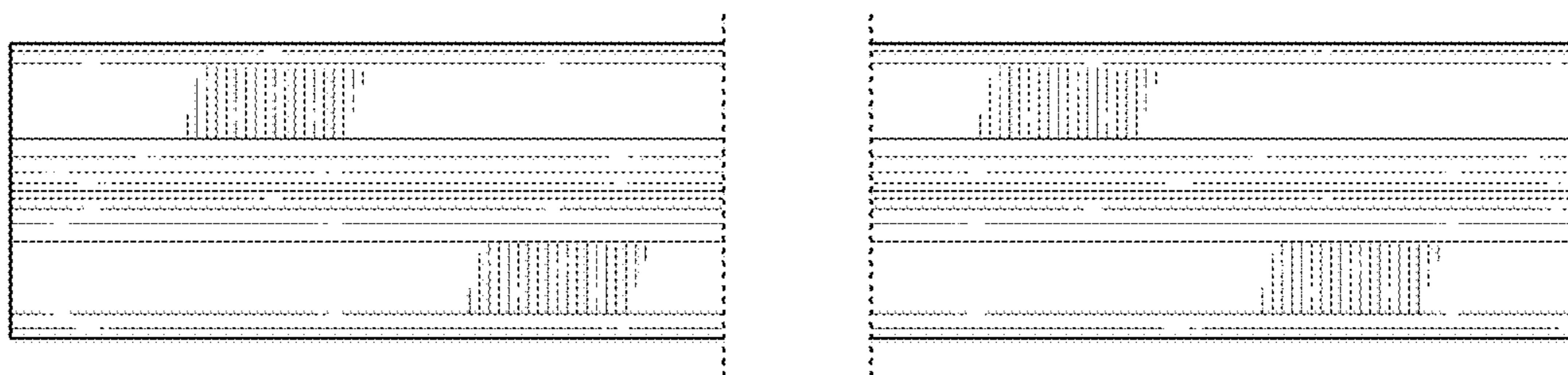


FIG. 6

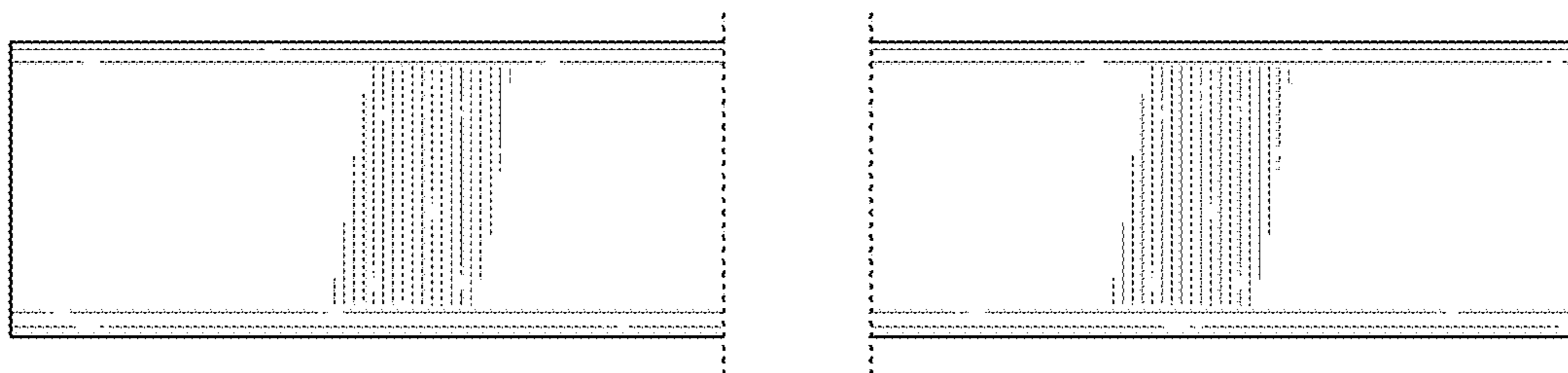


FIG. 7