



US00D860262S

(12) **United States Design Patent** (10) **Patent No.:** **US D860,262 S**
Morgan et al. (45) **Date of Patent:** **** Sep. 17, 2019**

(54) **MIXER TRUCK WITH A FOUR DOOR CAB**

D423,409 S * 4/2000 Silbernagel D12/14
D500,506 S * 1/2005 Simpson D15/19
D500,771 S * 1/2005 Simpson D15/19

(71) Applicant: **CalPortland Company**, Glendora, CA (US)

(Continued)

(72) Inventors: **Daryl Morgan**, Mesa, AZ (US); **Louis Mizner**, Surprise, AZ (US); **William Hamblen**, Glendale, AZ (US)

FOREIGN PATENT DOCUMENTS

CN 103306201 B 2/2015

(73) Assignee: **CALPORTLAND COMPANY**, Glendora, CA (US)

OTHER PUBLICATIONS

“1995 International 4700 Concrete Mixer | Pump Truck,” 1st Image, Jun. 2016, URL=greensboro-nc.buysellsearch.com, download date Aug. 29, 2016, 2 pages.

(**) Term: **15 Years**

(Continued)

(21) Appl. No.: **29/592,956**

Primary Examiner — Mark A Goodwin

(22) Filed: **Feb. 3, 2017**

Assistant Examiner — Benjamin M Weeks

(51) **LOC (12) Cl.** **15-04**

(74) *Attorney, Agent, or Firm* — Seed IP Law Group LLP

(52) **U.S. Cl.**
USPC **D15/19**

(57) **CLAIM**

(58) **Field of Classification Search**
USPC D12/13, 14, 15, 41, 82, 85, 93, 95, 99,
D12/101; D15/19

The ornamental design for a mixer truck with a four door cab, substantially as shown and described.

CPC B28C 5/4268; B60P 3/16
See application file for complete search history.

DESCRIPTION

(56) **References Cited**

U.S. PATENT DOCUMENTS

D181,998 S * 1/1958 Prichard D12/1
4,084,833 A * 4/1978 Mohrbacker B60P 3/16
180/24.02
D249,665 S * 9/1978 Silbernagel D12/95
4,335,963 A * 6/1982 Jameson B28C 5/4217
366/63
D271,875 S * 12/1983 Silbernagel D15/19
4,428,677 A * 1/1984 Schreiter, Jr. B60P 3/16
366/41
D291,547 S * 8/1987 Silbernagel D12/95
4,892,345 A 1/1990 Rachael, III
5,498,021 A * 3/1996 Christenson B60G 9/02
180/209

FIG. 1 is an isometric view of a mixer truck with a four door cab from one perspective, showing our new design.

FIG. 2 is an isometric view thereof from another perspective.

FIG. 3 is a right (driver) side elevational view thereof.

FIG. 4 is a front elevational view thereof.

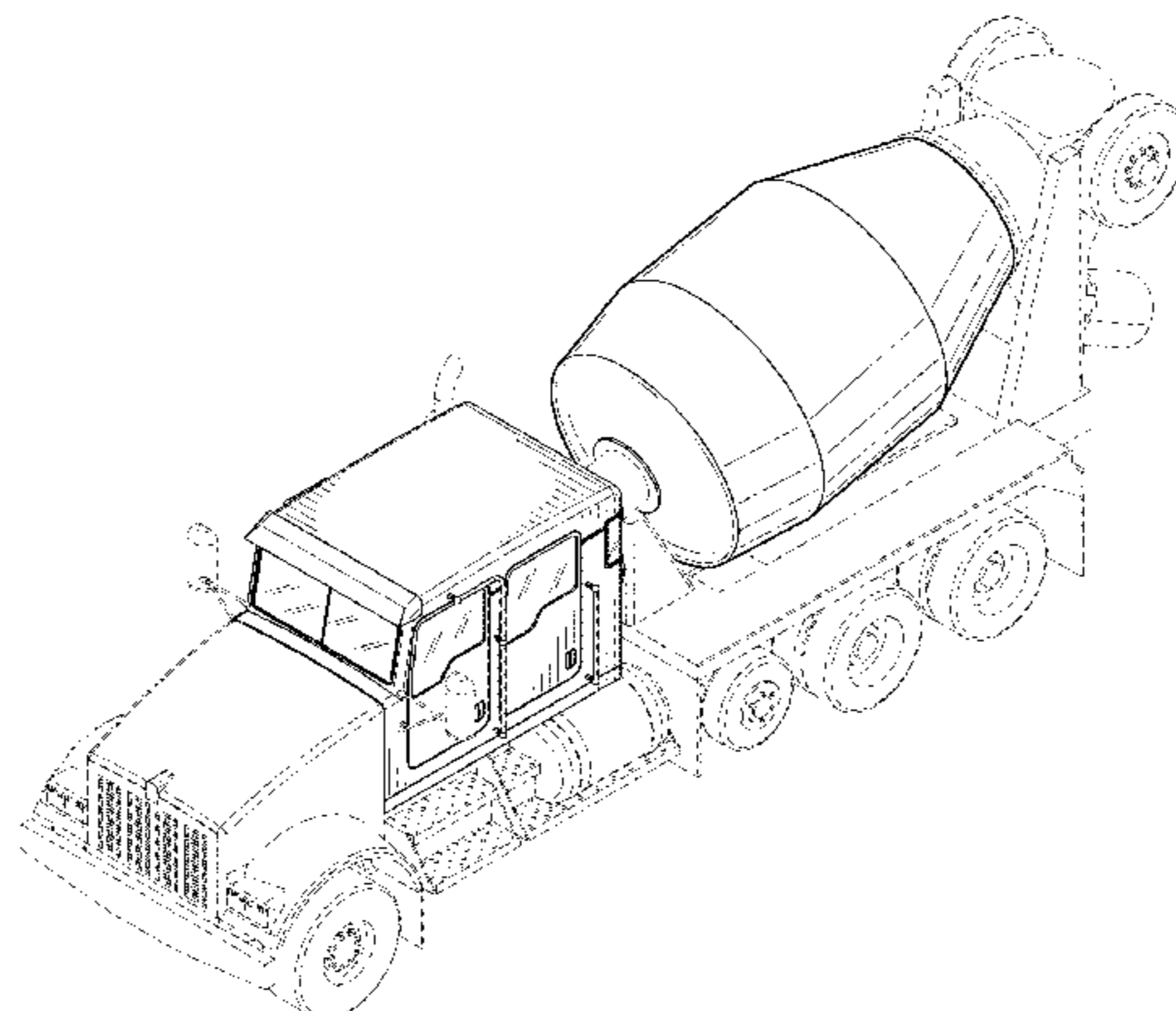
FIG. 5 is a top plan view thereof.

FIG. 6 is a left (passenger) side elevational view thereof; and,

FIG. 7 is a rear elevational view thereof.

Shading and tangency lines in FIGS. 1 through 7 represent the three-dimensional contours of the design, and are not intended to indicate surface decoration. The broken lines in FIGS. 1 through 7 are for illustrative purposes only and form no part of the claimed design.

1 Claim, 7 Drawing Sheets



(56)

References Cited

U.S. PATENT DOCUMENTS

7,530,403 B2 5/2009 Cano
2004/0065357 A1* 4/2004 Burch B01F 15/00019
134/167 R
2011/0058446 A1* 3/2011 Khouri B01F 9/06
366/62
2015/0029811 A1* 1/2015 Kawano B01F 9/06
366/66
2015/0202795 A1* 7/2015 McFarlane B28C 5/4268
366/54
2015/0246331 A1* 9/2015 Broker B60K 15/063
366/1
2015/0367300 A1* 12/2015 McNeilus B28C 5/4265
366/41
2016/0199999 A1* 7/2016 Pirri B82C 5/421
366/60
2016/0221219 A1* 8/2016 Meldahl B28C 5/1862
2017/0072916 A1* 3/2017 Beck, III B60S 1/64

OTHER PUBLICATIONS

“1995 International 4700 Concrete Mixer | Pump Truck,” 2nd Image,
Jun. 2016, URL=greensboro-nc.buysellsearch.com, download date
Aug. 29, 2016, 2 pages.

“1995 International 4700 Concrete Mixer | Pump Truck,” 3rd Image,
Jun. 2016, URL=greensboro-nc.buysellsearch.com, download date
Aug. 29, 2016, 2 pages.

* cited by examiner

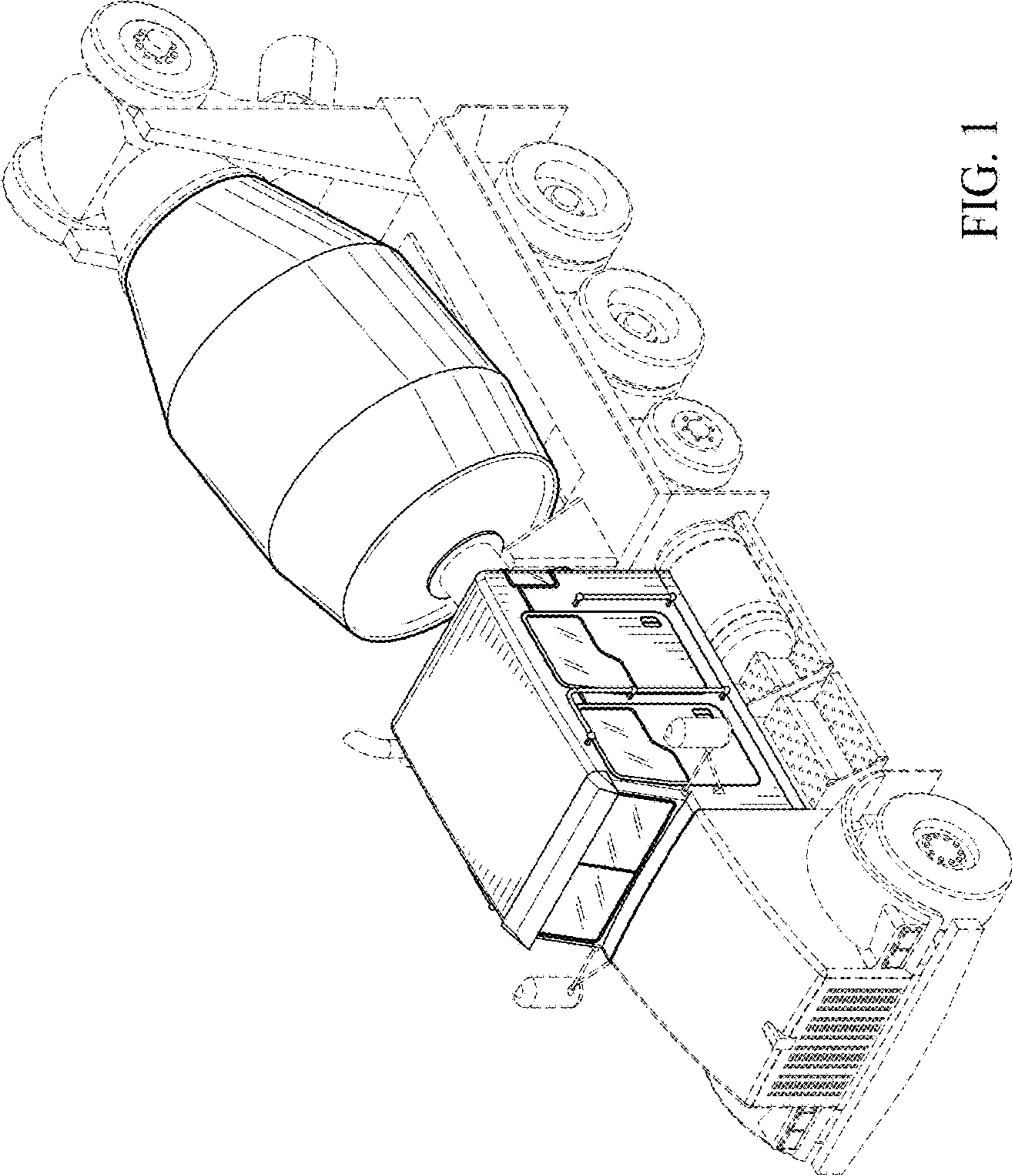


FIG. 1

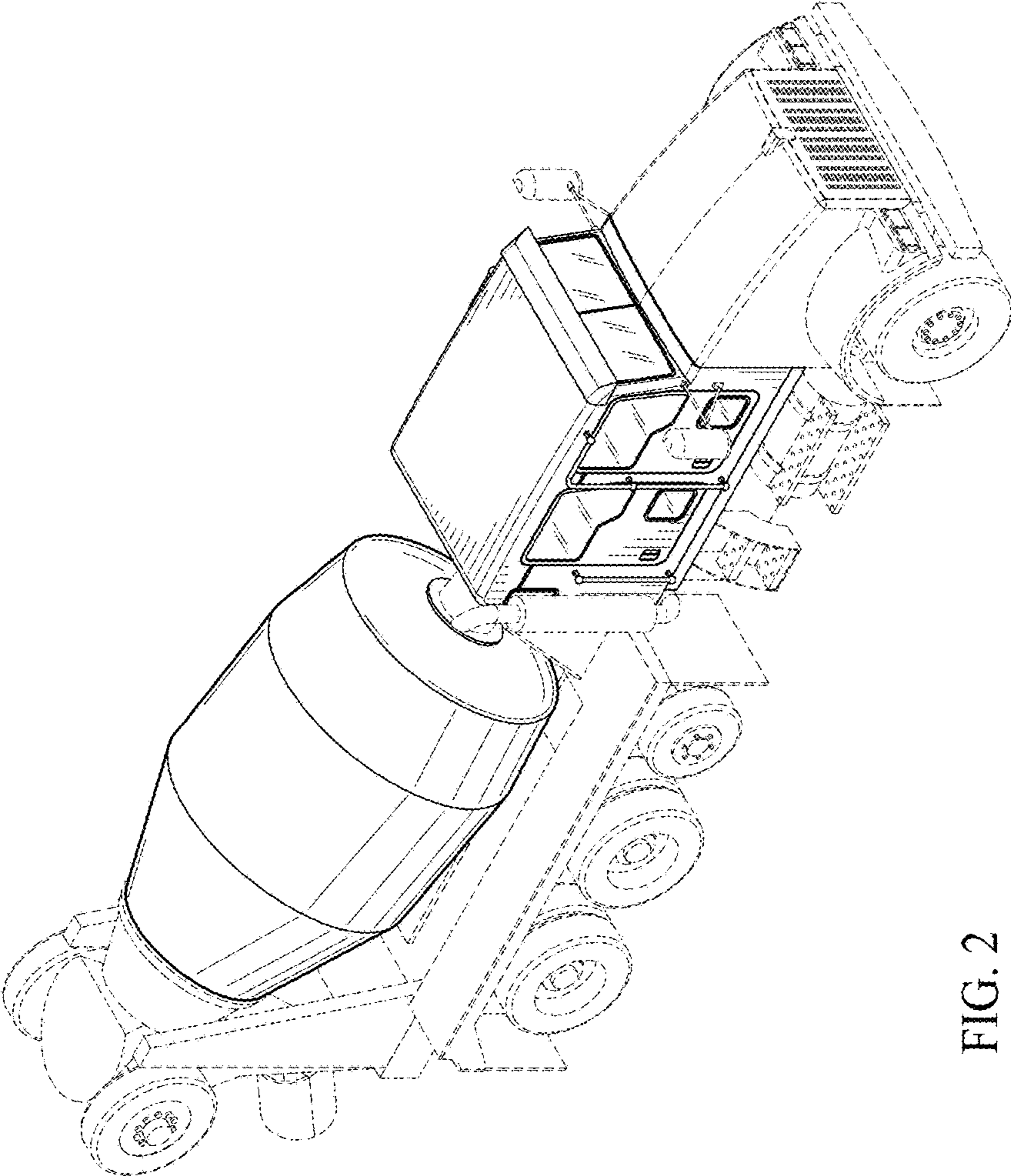


FIG. 2

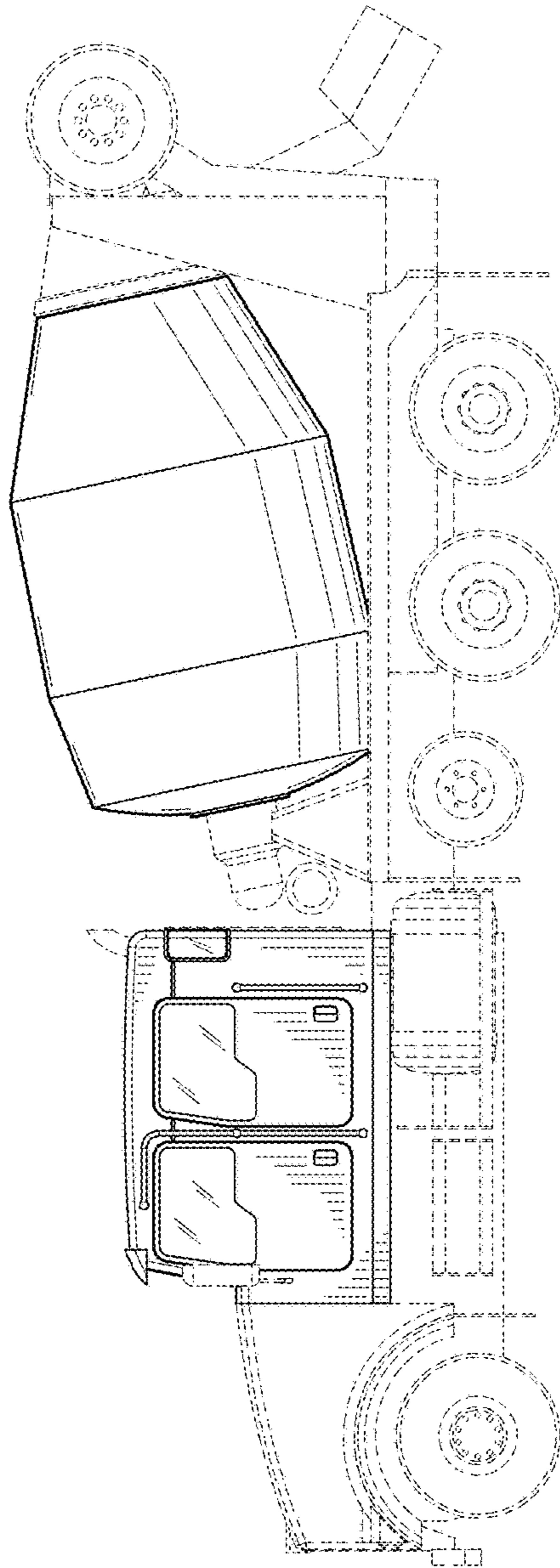


FIG. 3

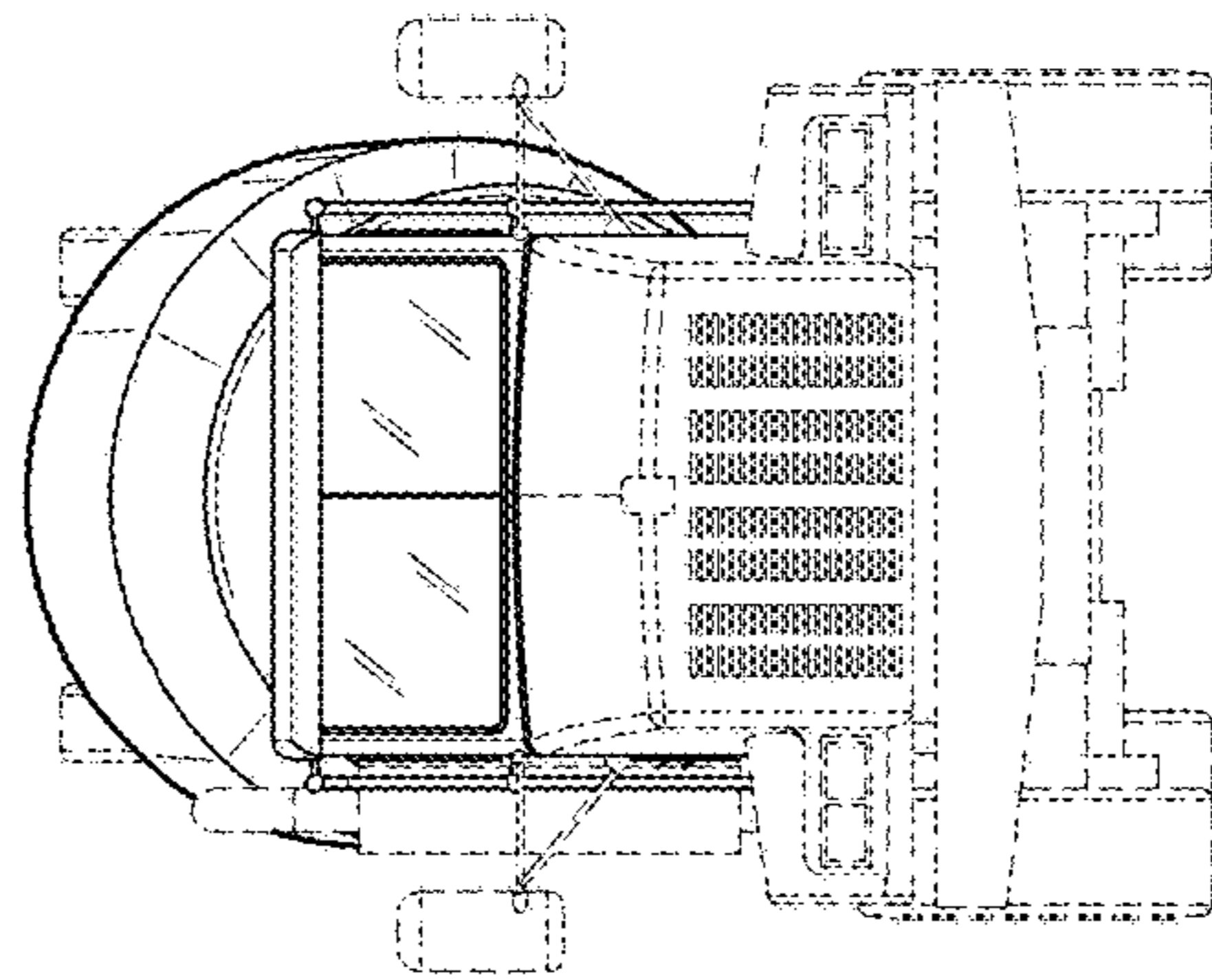


FIG. 4

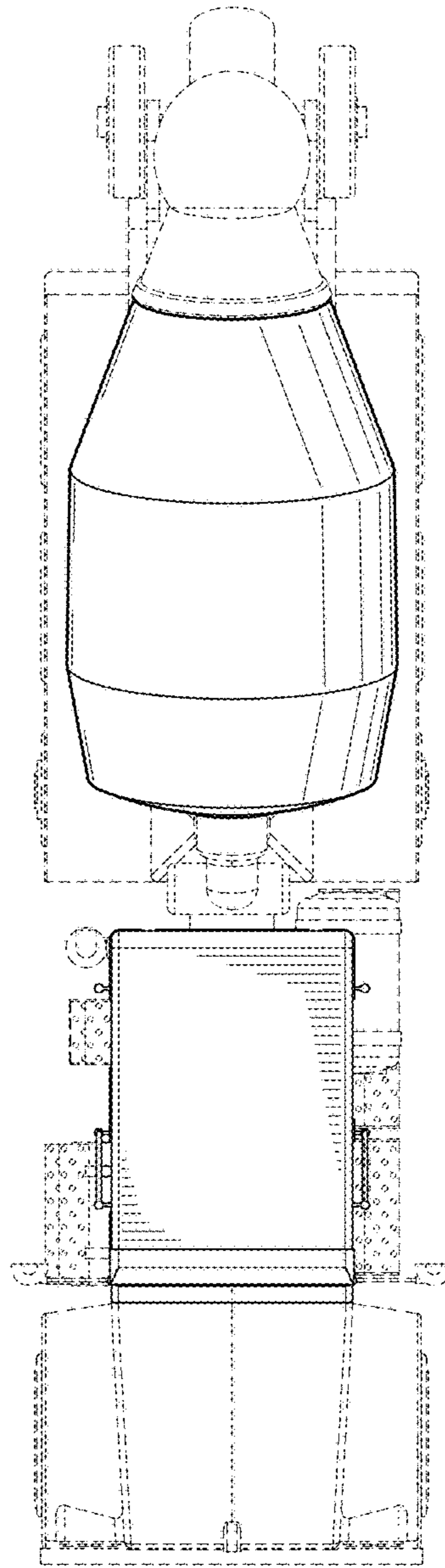


FIG. 5

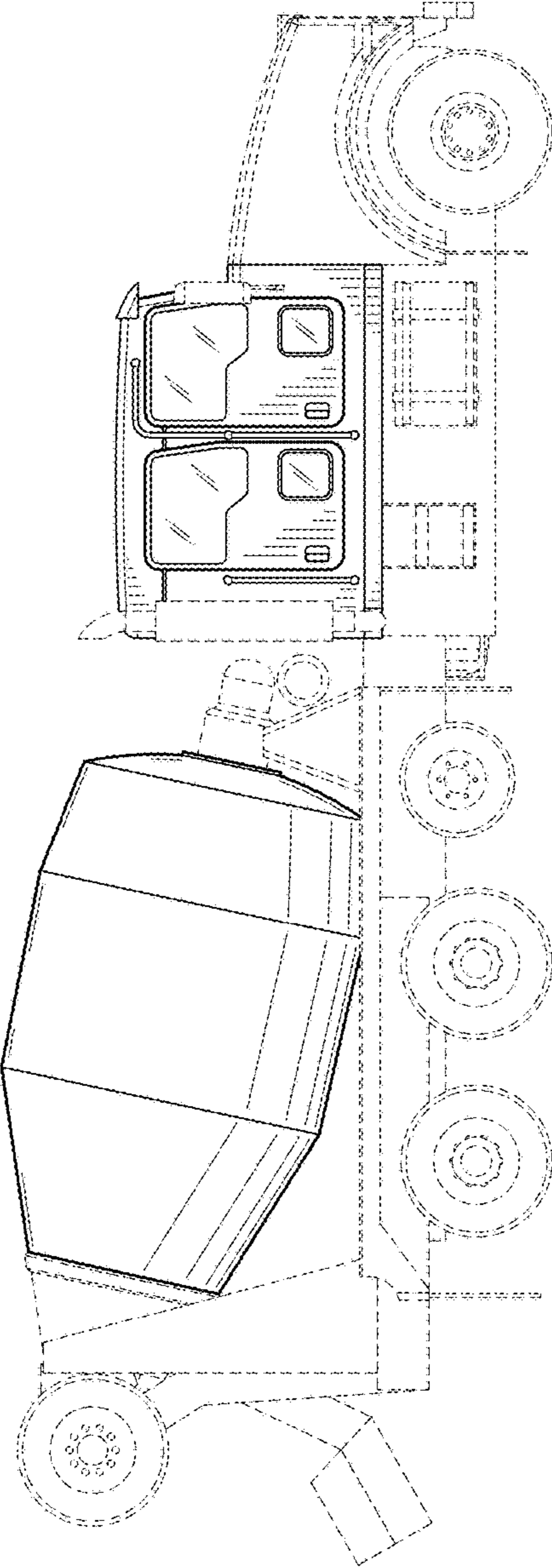


FIG. 6

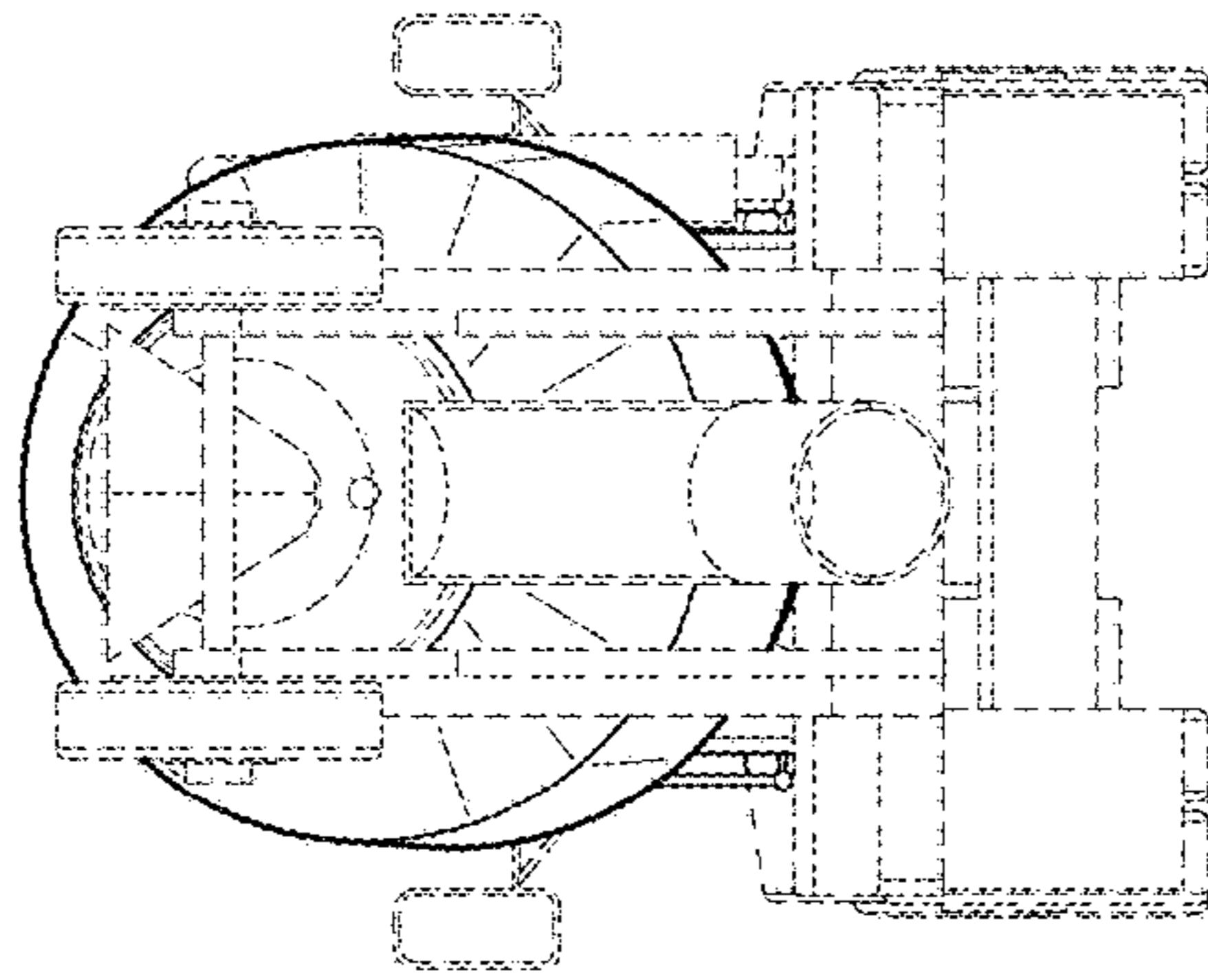


FIG. 7