



US00D860261S

(12) **United States Design Patent** (10) **Patent No.:** **US D860,261 S**
Hsu et al. (45) **Date of Patent:** **** Sep. 17, 2019**

(54) **SPREADER**
(71) Applicant: **OMS Investments, Inc.**, Los Angeles, CA (US)
(72) Inventors: **Paul E. Hsu**, Lewis Center, OH (US); **Ryan R. Berger**, Columbus, OH (US); **Daniel Wisniewski**, Columbus, OH (US); **Johannes Hertrich**, Columbus, OH (US); **John Knittle**, Westerville, OH (US); **Eric Glassner**, Hilliard, OH (US)

2,639,549 A 5/1953 Wubben et al.
2,692,142 A 10/1954 Hunter
2,711,475 A 6/1955 Chadwick et al.
2,761,589 A 9/1956 Stach
2,817,460 A 12/1957 Bond
2,832,509 A 4/1958 Richard
2,973,884 A * 3/1961 West A01C 7/085
222/560
2,991,096 A 7/1961 Davidson
3,035,858 A 5/1962 Davidson et al.
3,080,098 A 3/1963 Fierman
(Continued)

FOREIGN PATENT DOCUMENTS

(73) Assignee: **OMS Investments, Inc.**, Los Angeles, CA (US)

DE 19514152 A1 10/1996
DE 19826598 A1 12/1999

(Continued)

(**) Term: **15 Years**

Primary Examiner — Mark A Goodwin
Assistant Examiner — Benjamin M Weeks
(74) *Attorney, Agent, or Firm* — Ulmer & Berne, LLP

(21) Appl. No.: **29/595,095**

(22) Filed: **Feb. 24, 2017**

(51) **LOC (12) Cl.** **15-02**

(52) **U.S. Cl.**
USPC **D15/13**

(58) **Field of Classification Search**
USPC D15/11, 13, 14, 16, 18, 21, 25, 28, 29
CPC A01C 17/008; A01C 15/02; A01G 29/00
See application file for complete search history.

(57) **CLAIM**

The ornamental design for a spreader, as shown and described.

DESCRIPTION

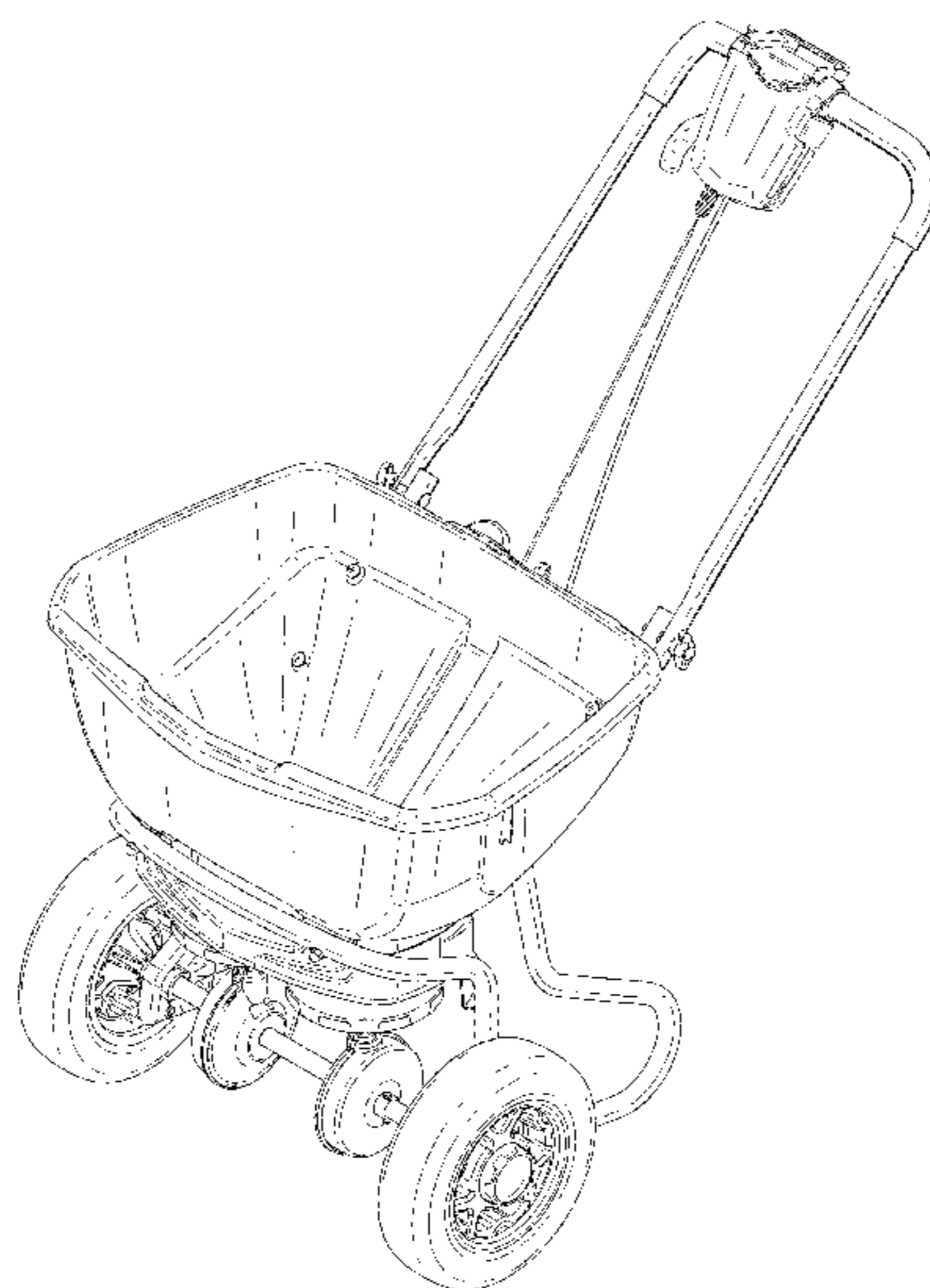
FIG. 1 is a front perspective view of a spreader showing our new design;
FIG. 2 is a front elevation view thereof;
FIG. 3 is a rear elevation view thereof;
FIG. 4 is a right side elevation view thereof;
FIG. 5 is a left side elevation view thereof;
FIG. 6 is a top plan view thereof;
FIG. 7 is a bottom plan view thereof; and,
FIG. 8 is a rear perspective view thereof.
The line shading in FIGS. 1-8 represents contour and not surface ornamentation. The broken lines show environmental subject matter and form no part of the claimed design.

(56) **References Cited**

U.S. PATENT DOCUMENTS

1,022,062 A 4/1912 Christopher
1,166,477 A 1/1916 Parrish
1,263,783 A 4/1918 Maier
D94,072 S 12/1934 Cantor
D132,559 S 5/1942 Sawyer
D134,605 S 12/1942 Hahlo-Rosenwald
2,451,128 A 10/1948 Thiesse
2,586,492 A 2/1952 Ulrich
2,594,084 A 4/1952 Skibbe et al.
D168,092 S 11/1952 Heddu

1 Claim, 8 Drawing Sheets



(56)

References Cited

U.S. PATENT DOCUMENTS

3,081,004 A	3/1963	Penn et al.	5,119,993 A	6/1992	Gunzel, Jr. et al.
3,106,043 A	10/1963	Marcel	5,123,598 A	6/1992	Courtney et al.
3,107,822 A	10/1963	Regenstein, Jr.	5,195,308 A	3/1993	Grote et al.
3,113,702 A	12/1963	Luedtke	5,203,510 A	4/1993	Courtney et al.
3,152,732 A	10/1964	Schulman et al.	D338,893 S	8/1993	Simpson
3,179,298 A	4/1965	Collins	D338,894 S	8/1993	Simpson
3,192,665 A	7/1965	Cloud	5,285,971 A	2/1994	Havlovitz
3,211,114 A	10/1965	Bruno	5,288,017 A	2/1994	Halovitz
3,216,620 A	11/1965	Laughlin	5,294,060 A	3/1994	Thompson
3,220,740 A	11/1965	Kavan et al.	5,340,033 A	8/1994	Whitell
3,239,107 A	3/1966	West et al.	5,409,166 A	4/1995	Gunzel, Jr. et al.
3,276,162 A	10/1966	Chester	5,419,102 A	5/1995	Inman et al.
3,300,895 A	1/1967	Miroslav et al.	D359,013 S	6/1995	Carlson
3,310,314 A	3/1967	Simon et al.	D359,963 S	7/1995	Pink et al.
3,369,709 A	2/1968	Clauss	5,429,278 A	7/1995	Sansalone
3,383,055 A	5/1968	Speicher	5,430,972 A	7/1995	Wianecki
D211,883 S	8/1968	McCrea	5,489,023 A	2/1996	Havlovitz
3,406,915 A	10/1968	Heinz	5,493,852 A	2/1996	Stewart
3,738,546 A	6/1973	Speicher	D369,760 S	5/1996	Sanderson
3,772,827 A	11/1973	Ware	D371,780 S	7/1996	Havlovitz
D229,545 S	12/1973	Uhlig	5,533,676 A	7/1996	Conley
3,856,211 A	12/1974	Williams	D373,367 S *	9/1996	Havlovitz D15/13
3,857,515 A	12/1974	Zennie	5,570,814 A *	11/1996	Havlovitz A01C 15/02
3,972,387 A	8/1976	Braun			222/235
3,993,225 A	11/1976	Manni	D376,155 S *	12/1996	Havlovitz D15/13
D244,838 S	6/1977	Lebreux	5,592,889 A	1/1997	Bourgault
4,032,074 A	6/1977	Amerine	5,597,092 A *	1/1997	Havlovitz A01C 15/02
D245,407 S	8/1977	Ware			222/235
4,062,496 A	12/1977	Melton	5,607,079 A	3/1997	Delaby et al.
4,071,170 A	1/1978	Gunzel et al.	5,617,974 A	4/1997	Sawyer
4,089,441 A	5/1978	Cole et al.	5,638,988 A	6/1997	Rogers et al.
4,095,705 A	6/1978	Hood	5,641,223 A	6/1997	Rustebakke
4,118,891 A	10/1978	Kehl et al.	D381,600 S	7/1997	Yurkovic
4,121,733 A	10/1978	McRoskey et al.	5,651,214 A	7/1997	Zucker et al.
4,140,280 A	2/1979	Allen et al.	D384,679 S *	10/1997	Havlovitz D15/13
4,170,844 A	10/1979	Steele	D387,638 S	12/1997	Delaby et al.
4,180,184 A	12/1979	Florer et al.	5,720,129 A	2/1998	Lantinberg
4,184,287 A	1/1980	Roth	5,799,439 A	9/1998	MacGregor
4,185,782 A	1/1980	Belrose	5,842,648 A *	12/1998	Havlovitz A01C 7/02
4,236,353 A	12/1980	Sorenson			222/609
4,276,720 A	7/1981	Lyon	5,865,269 A	2/1999	Eskesen
4,285,164 A	8/1981	Moore	5,873,533 A	2/1999	Sandbrook
4,294,037 A	10/1981	Mosse et al.	D409,947 S	5/1999	Bongard et al.
4,299,054 A	11/1981	Ware	5,921,025 A	7/1999	Smith
4,386,719 A	6/1983	Serizawa	5,934,573 A	8/1999	Weterrings et al.
4,387,852 A	6/1983	Mattson et al.	5,941,182 A	8/1999	Greene
4,407,092 A	10/1983	Ware	D413,903 S *	9/1999	Spear D15/13
4,428,151 A	1/1984	Solomon	D413,904 S *	9/1999	Spear D15/13
4,442,975 A	4/1984	Long et al.	D414,783 S *	10/1999	Spear D15/13
4,483,486 A	11/1984	Magda	5,992,134 A	11/1999	Blide et al.
4,487,370 A	12/1984	Speicher	6,019,484 A	2/2000	Seyler
4,492,341 A	1/1985	Allen	6,024,294 A	2/2000	Dillon
D278,989 S	5/1985	Baumann	6,047,909 A	4/2000	Simpson
4,541,765 A	9/1985	Moore	6,092,746 A	7/2000	Dillon
4,588,133 A	5/1986	Brabb et al.	6,138,927 A	10/2000	Spear et al.
D284,666 S	7/1986	Amerine	6,145,711 A	11/2000	Prosper et al.
4,597,531 A	7/1986	Kise	6,149,079 A	11/2000	Kinkead et al.
4,635,818 A	1/1987	Glass	6,178,692 B1	1/2001	Graven
4,671,434 A	6/1987	Johnston et al.	6,219,966 B1	4/2001	Lapointe et al.
4,678,377 A	7/1987	Bouchard	6,219,968 B1	4/2001	Belger et al.
4,769,945 A	9/1988	Motoyama et al.	6,233,871 B1	5/2001	Ho
4,798,325 A	1/1989	Block	6,240,861 B1	6/2001	Memory
4,833,825 A	5/1989	Sprung	6,276,089 B1	8/2001	Boisclair et al.
4,867,381 A	9/1989	Speicher	6,418,644 B1	7/2002	Bykov et al.
4,884,366 A	12/1989	Morton	6,418,664 B1	7/2002	Shaw
4,916,858 A	4/1990	Hobson	6,425,500 B2	7/2002	McNally
D308,029 S	5/1990	Kladt	6,499,679 B1	12/2002	Woodruff et al.
4,949,906 A	8/1990	Godwin	6,550,739 B1	4/2003	Brindisi
4,962,781 A	10/1990	Kanbar	6,574,917 B2	6/2003	Boxsell
D315,260 S	3/1991	Kelly	6,588,685 B2	7/2003	Woodruff et al.
5,009,344 A	4/1991	Cooley	6,616,074 B2	9/2003	Courtney et al.
5,010,686 A	4/1991	Rivest	D485,207 S	1/2004	Dion
5,046,664 A	9/1991	Van Der Lely et al.	6,698,624 B2	3/2004	Ufheil et al.
5,054,693 A	10/1991	Chow	6,702,208 B1	3/2004	Radler et al.
5,117,581 A	6/1992	Green et al.	6,729,557 B2	5/2004	Dillon
			6,782,656 B2	8/2004	Washburn
			D495,621 S	9/2004	Sikina
			6,817,552 B2	11/2004	Kinkead et al.
			6,840,468 B2	1/2005	Barnett

(56)

References Cited

U.S. PATENT DOCUMENTS

6,851,634 B2 2/2005 Woodruff et al.
 7,150,413 B1 12/2006 Bricko et al.
 7,281,675 B2 10/2007 Elrod et al.
 7,281,998 B2 10/2007 Tanner
 7,328,861 B2 2/2008 Sagol et al.
 7,380,734 B2 6/2008 Magnusson
 D575,668 S 8/2008 Rashid et al.
 7,426,802 B2 9/2008 Umbaugh, Jr.
 D586,255 S 2/2009 Rashid et al.
 D586,688 S 2/2009 Bromley et al.
 D598,809 S 8/2009 Smith et al.
 7,587,859 B2 9/2009 Bradley
 D602,045 S 10/2009 Choi et al.
 D602,046 S * 10/2009 Choi D15/13
 D604,196 S 11/2009 Bissonnette et al.
 D604,197 S 11/2009 Bissonnette et al.
 D610,590 S * 2/2010 Choi D15/13
 D610,591 S * 2/2010 Choi D15/13
 7,676,988 B2 3/2010 Bradley
 D623,667 S * 9/2010 Cichy D15/13
 7,805,866 B1 10/2010 Osgood
 7,805,886 B2 10/2010 Brandsttter
 D632,606 S 2/2011 Jalet
 7,984,586 B2 7/2011 Brusatore
 8,011,135 B2 9/2011 Masser et al.
 8,272,584 B2 9/2012 Barnett et al.
 8,757,519 B2 6/2014 Cichy et al.
 8,757,520 B2 6/2014 Cichy et al.
 8,757,521 B2 6/2014 Cichy et al.
 D718,792 S * 12/2014 Lapham D15/11
 9,016,518 B2 4/2015 Poul et al.
 D729,987 S 5/2015 Holm et al.
 D729,988 S 5/2015 Holm et al.
 9,820,430 B2 * 11/2017 Kendall A01C 17/008
 9,988,780 B2 6/2018 Kohn
 2001/0047617 A1 12/2001 Blossom
 2001/0047618 A1 12/2001 Fang et al.
 2002/0014545 A1 2/2002 Woodruff et al.
 2002/0129883 A1 9/2002 O'Coin
 2002/0162907 A1 * 11/2002 Courtney A01C 15/008
 239/665
 2003/0140556 A1 7/2003 Frogley
 2003/0192968 A1 10/2003 Courtney et al.
 2005/0155286 A1 7/2005 Soukup
 2005/0204620 A1 9/2005 Butterfield et al.
 2005/0246954 A1 11/2005 Bissonnette et al.
 2005/0246955 A1 11/2005 Bissonnette et al.

2005/0258284 A1 11/2005 Magnusson
 2006/0048712 A1 3/2006 Boyer
 2006/0157518 A1 * 7/2006 Havlovitz A01C 15/02
 222/617
 2006/0162251 A1 7/2006 Yamaguchi
 2006/0179711 A1 8/2006 Bissonnette et al.
 2007/0194155 A1 8/2007 Kendall
 2007/0244605 A1 10/2007 Hopkins
 2008/0078850 A1 * 4/2008 Bowsher A01C 17/008
 239/687
 2008/0282610 A1 11/2008 Bissonnette et al.
 2010/0107489 A1 5/2010 Silver
 2010/0162624 A1 7/2010 Bradley
 2010/0175318 A1 7/2010 Ahmadi
 2010/0263274 A1 10/2010 Corak et al.
 2010/0265697 A1 10/2010 Fredricks
 2011/0068162 A1 3/2011 Patterson et al.
 2011/0068235 A1 3/2011 Patterson et al.
 2011/0219683 A1 9/2011 Sutton
 2011/0232190 A1 9/2011 Pindus et al.
 2011/0283614 A1 11/2011 Jaensch
 2011/0297763 A1 12/2011 Kressy et al.
 2012/0277117 A1 11/2012 Zayed et al.
 2013/0001332 A1 1/2013 Marconi, Jr.
 2013/0105592 A1 5/2013 Kendall et al.
 2013/0175370 A1 7/2013 Ewringmann et al.
 2014/0166785 A1 6/2014 Barnett et al.
 2014/0263484 A1 9/2014 Marconi
 2015/0136880 A1 5/2015 Cichy et al.
 2016/0106028 A1 * 4/2016 Kendall A01C 17/008
 239/1
 2016/0316615 A1 11/2016 Papke

FOREIGN PATENT DOCUMENTS

DE 202004002478 U1 8/2004
 DE 202005017432 U1 2/2006
 DE 102005020735 A1 8/2006
 DE 102006046972 A1 4/2008
 DE 102011104738 A1 12/2012
 DE 202013002363 U1 6/2013
 DE 202014101884 U1 6/2014
 DE 202012013023 U1 9/2014
 EP 2794995 B1 1/2016
 GB 2406322 A 3/2005
 GB 2506006 A 3/2014
 WO 2013063438 A2 5/2013
 WO 2018156958 A1 8/2018

* cited by examiner

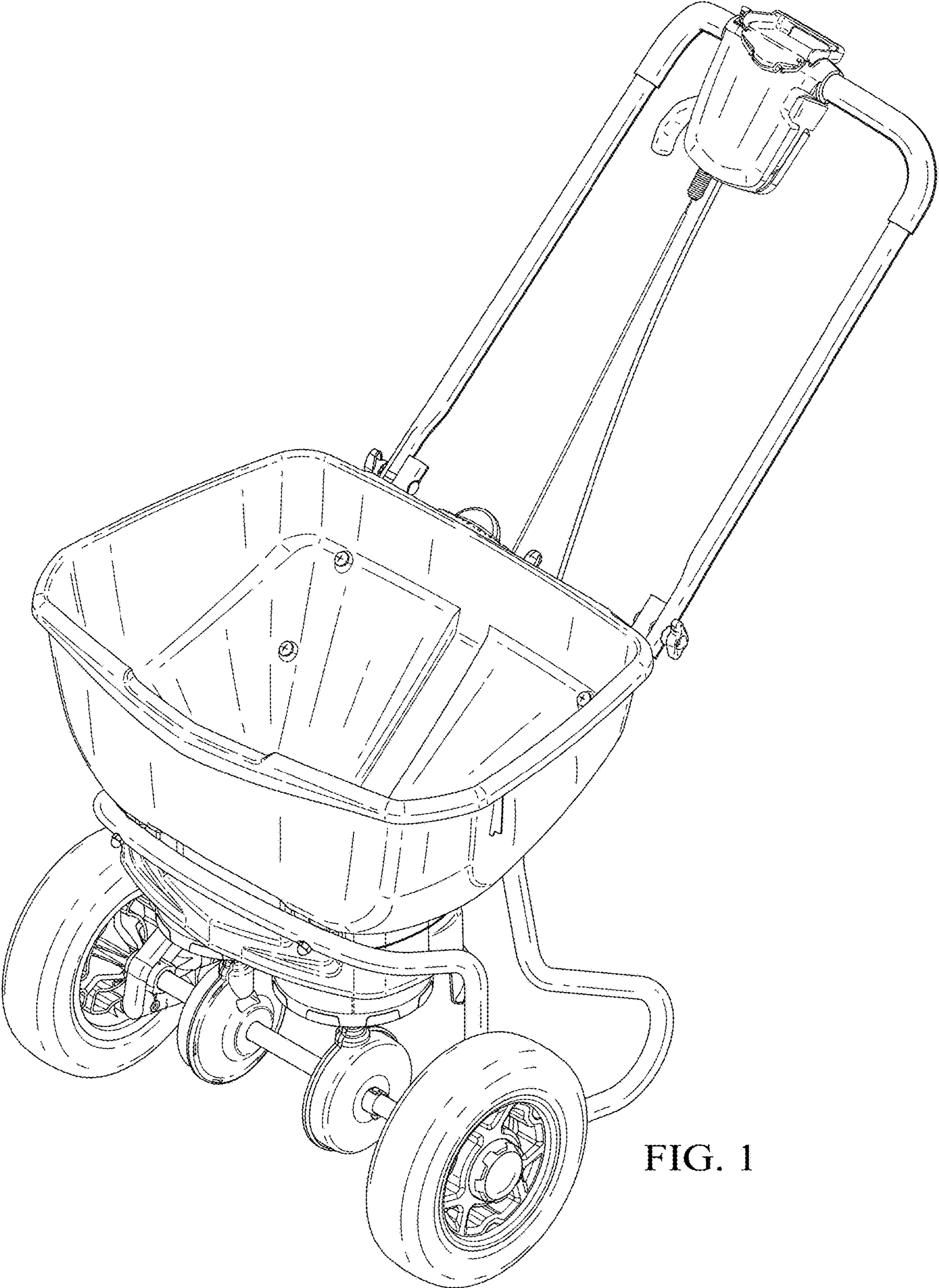


FIG. 1

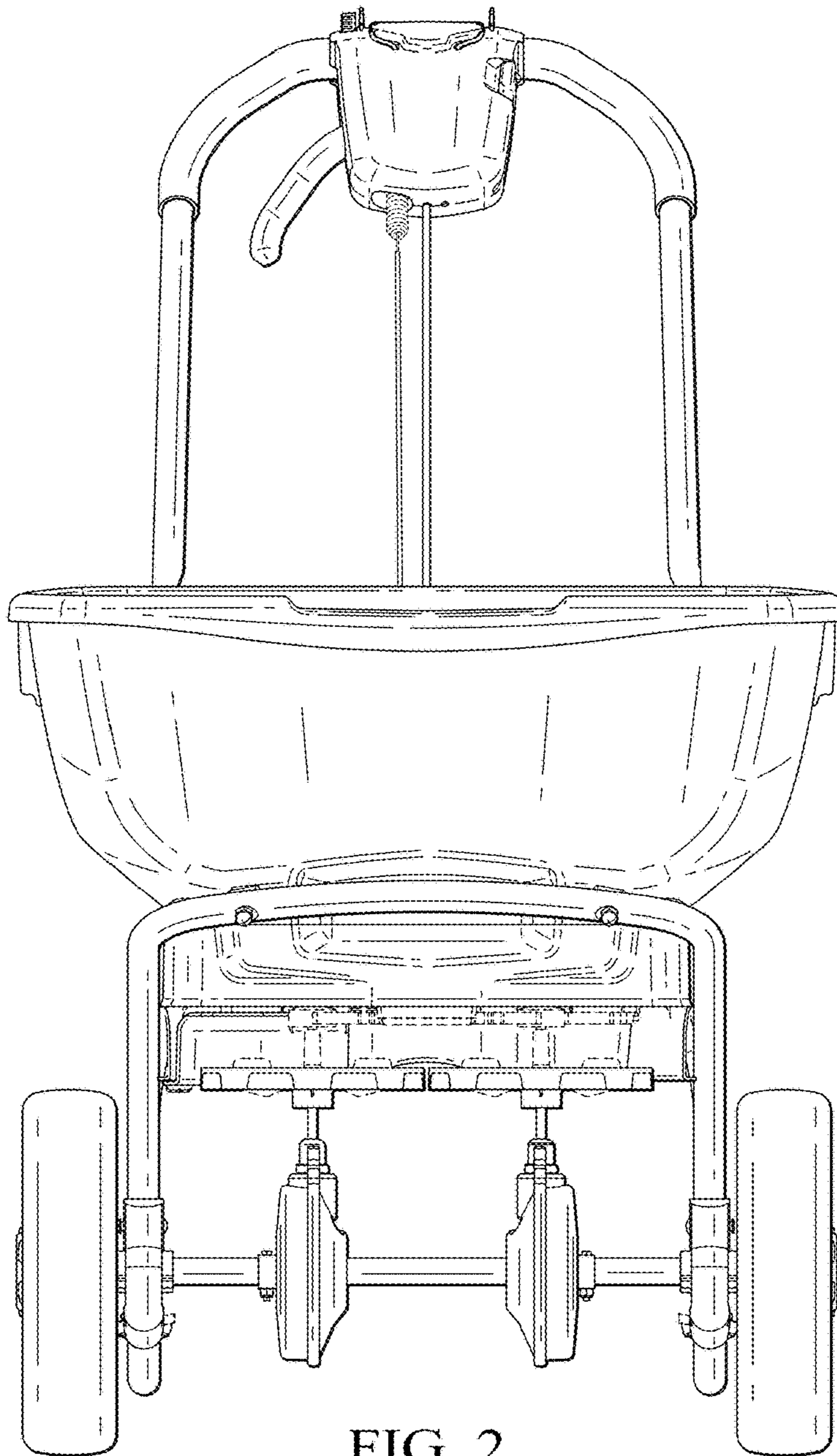


FIG. 2

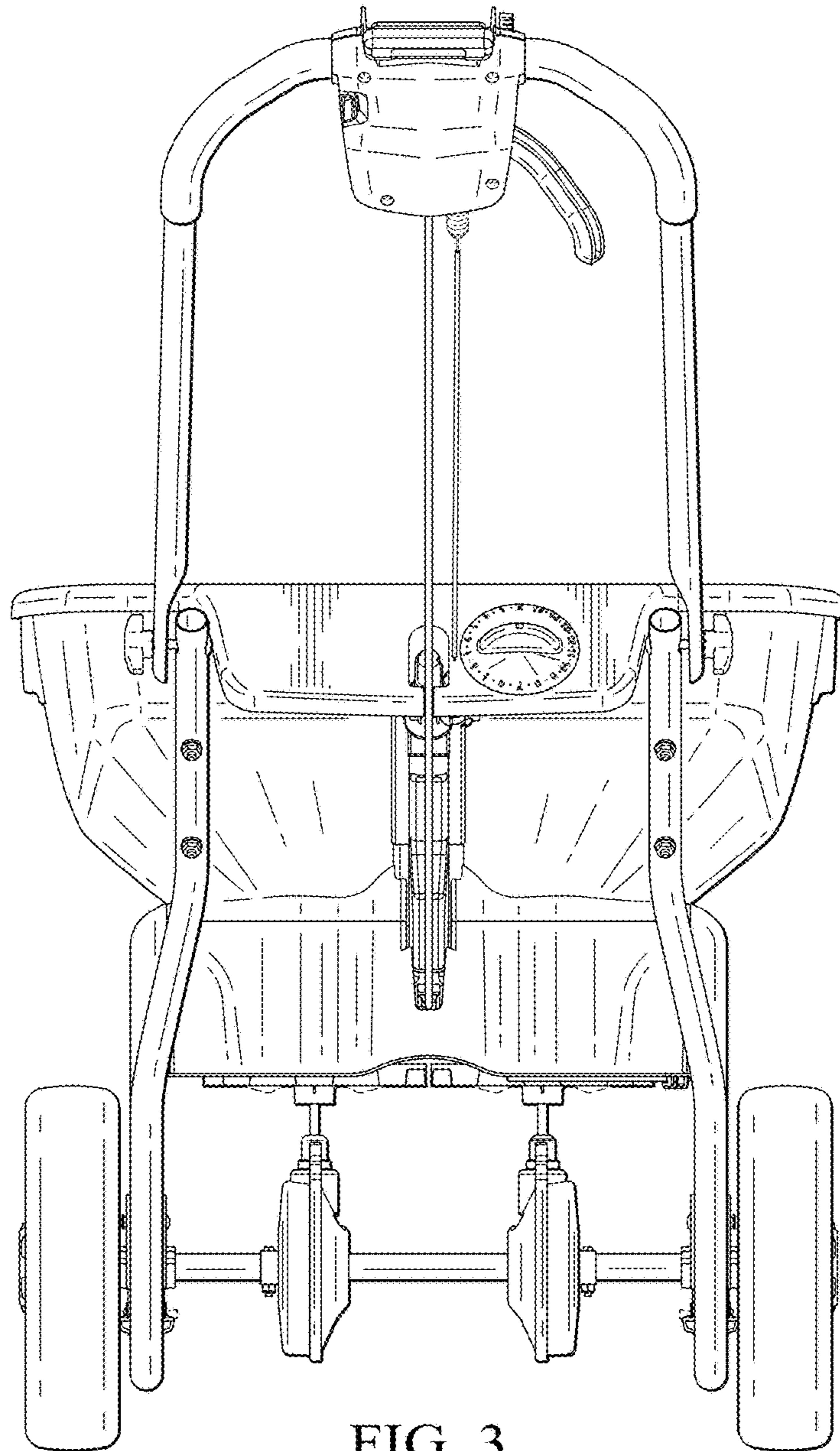


FIG. 3

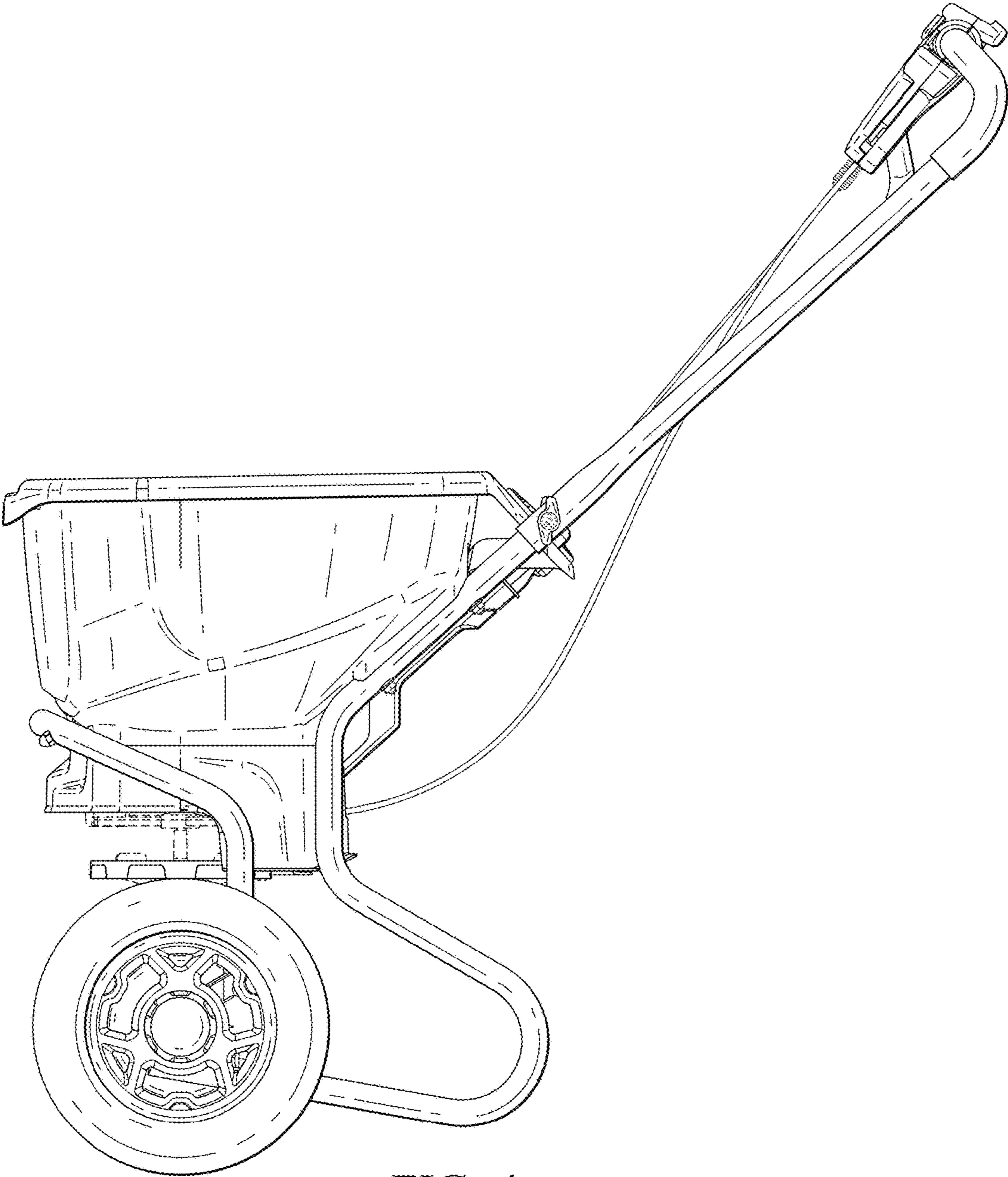


FIG. 4

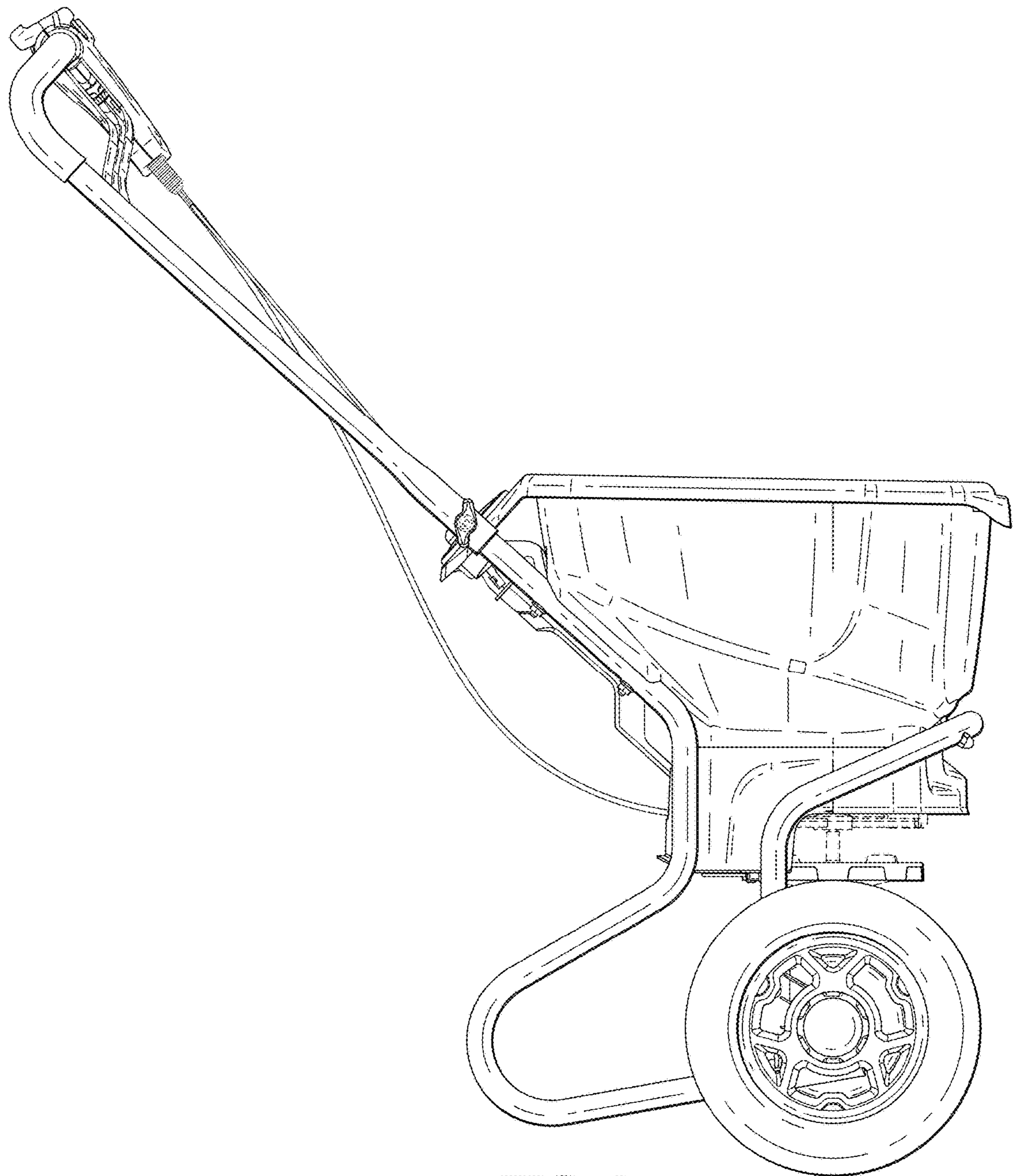


FIG. 5

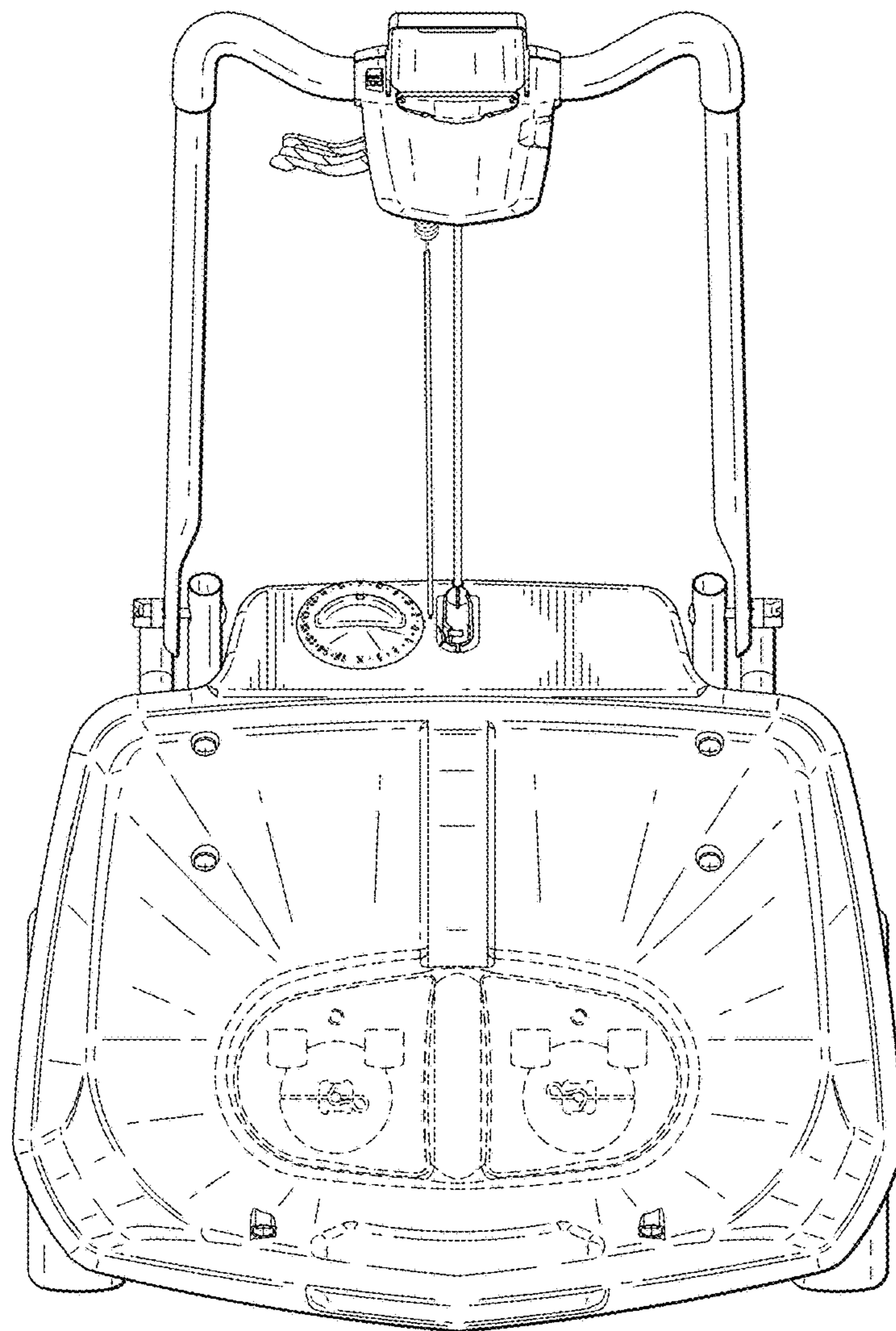


FIG. 6

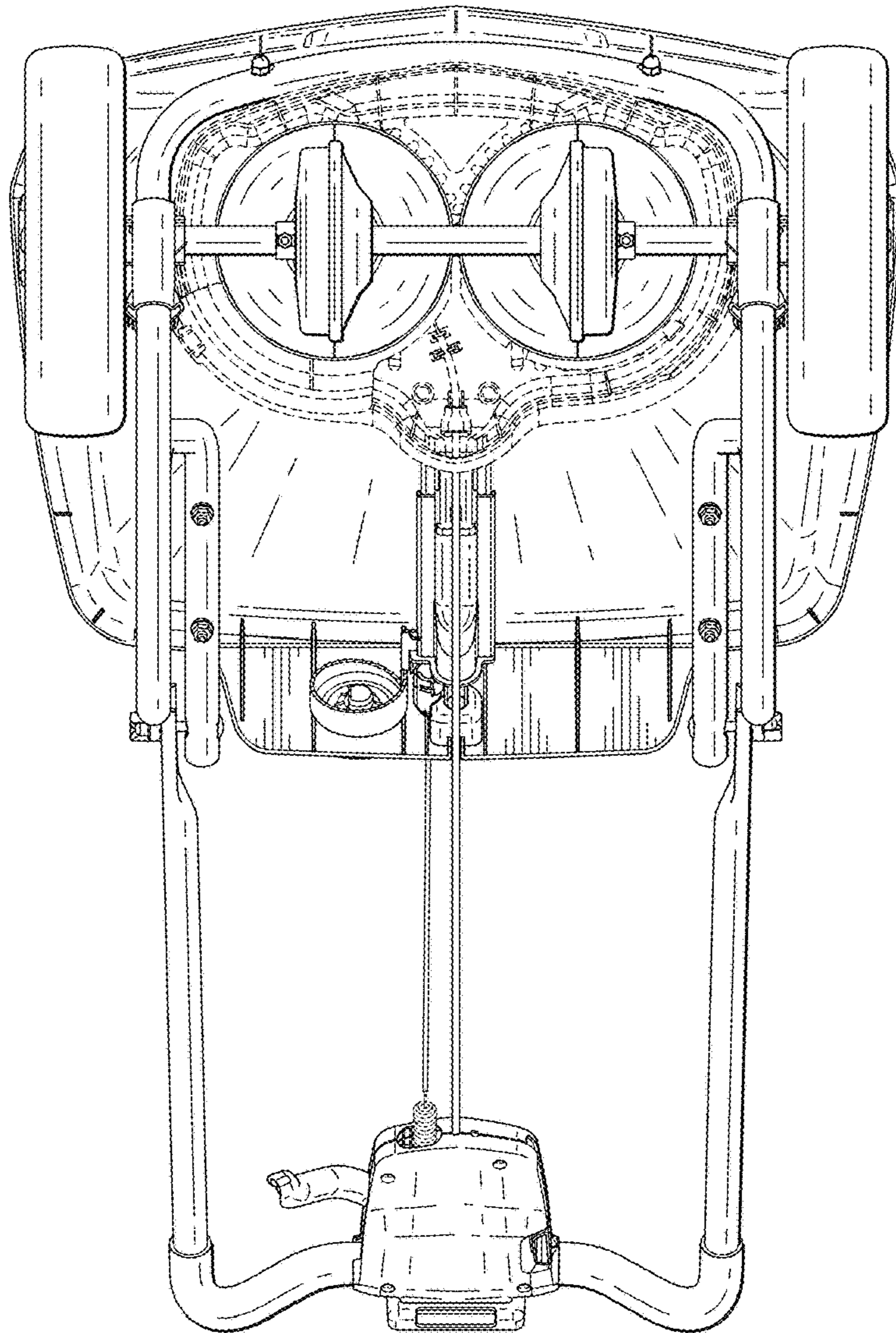


FIG. 7



FIG. 8