



US00D860260S

(12) **United States Design Patent** (10) **Patent No.:** **US D860,260 S**
Blechsmidt (45) **Date of Patent:** **** Sep. 17, 2019**

(54) **SHREDDER**
(71) Applicant: **DOPPSTADT FAMILIENHOLDING GMBH, Velbert (DE)**
(72) Inventor: **Klaus Blechsmidt, Gotha (DE)**
(**) Term: **15 Years**
(21) Appl. No.: **35/504,638**
(22) Filed: **Dec. 11, 2017**

(80) **Hague Agreement Data**

Int. Filing Date: **Dec. 11, 2017**
Int. Reg. No.: **DM/100159**
Int. Reg. Date: **Dec. 11, 2017**
Int. Reg. Pub. Date: **Mar. 23, 2018**

(51) **LOC (12) Cl.** **15-03**
(52) **U.S. Cl.**
USPC **D15/10; D15/26**
CPC **A01D 75/00 (2013.01)**

(58) **Field of Classification Search**
USPC D15/10-12, 22-26, 28; 56/14.5-14.7, 56/16.6, 122-125; 296/190, 191; 460/83, 119; 180/89.1, 89.12
CPC A01D 75/00; A01D 41/06; A01D 41/1208; A01D 41/00; A01D 67/00; A01D 45/00; A01D 45/02; A01D 45/021; A01D 43/081
See application file for complete search history.

(56) **References Cited**

U.S. PATENT DOCUMENTS

5,842,649 A * 12/1998 Beck A01C 15/008
239/677
6,910,586 B2 * 6/2005 McCloskey B07B 1/005
198/313

D639,826 S * 6/2011 Barrelmeyer D15/26
7,975,851 B2 * 7/2011 Kossowan B07B 1/005
209/283
8,439,203 B2 * 5/2013 Wojciechowski B07B 1/30
209/405
9,370,776 B2 * 6/2016 Roozeboom B02C 18/145
9,573,137 B2 * 2/2017 Van der Galien B02C 4/34
9,723,793 B2 * 8/2017 Meiners A01F 29/095
D826,994 S * 8/2018 De Smet D15/26
10,118,197 B2 * 11/2018 Boese B07B 1/005
2004/0182758 A1 * 9/2004 McCloskey B07B 1/005
209/420
2006/0237346 A1 * 10/2006 Fridman B07B 1/005
209/288
2015/0014226 A1 * 1/2015 Doppstadt A01D 33/08
209/235

* cited by examiner

Primary Examiner — Richard E Chilcot
(74) *Attorney, Agent, or Firm* — Smartpat PLC

(57) **CLAIM**

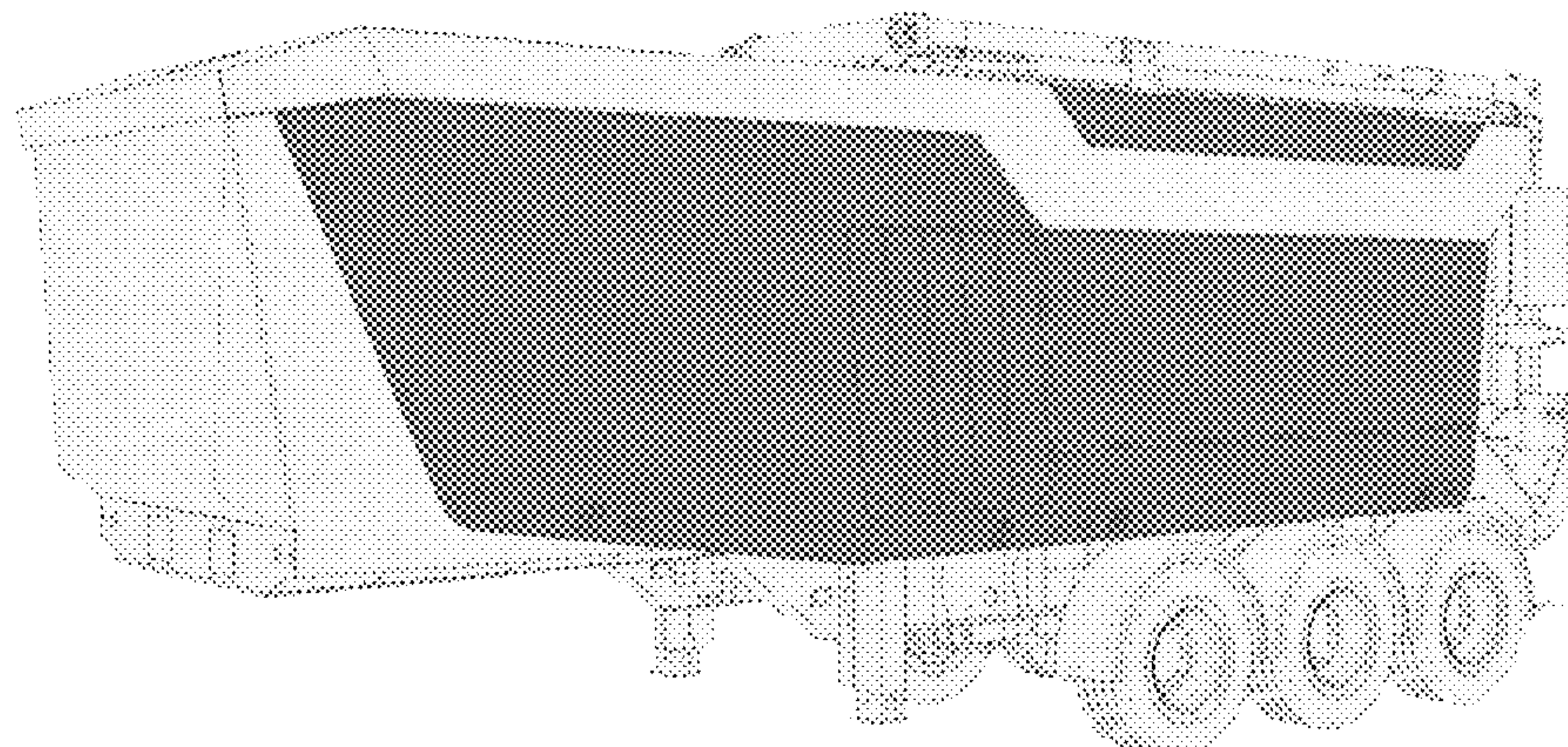
I claim the ornamental design for a shredder, as shown and described.

DESCRIPTION

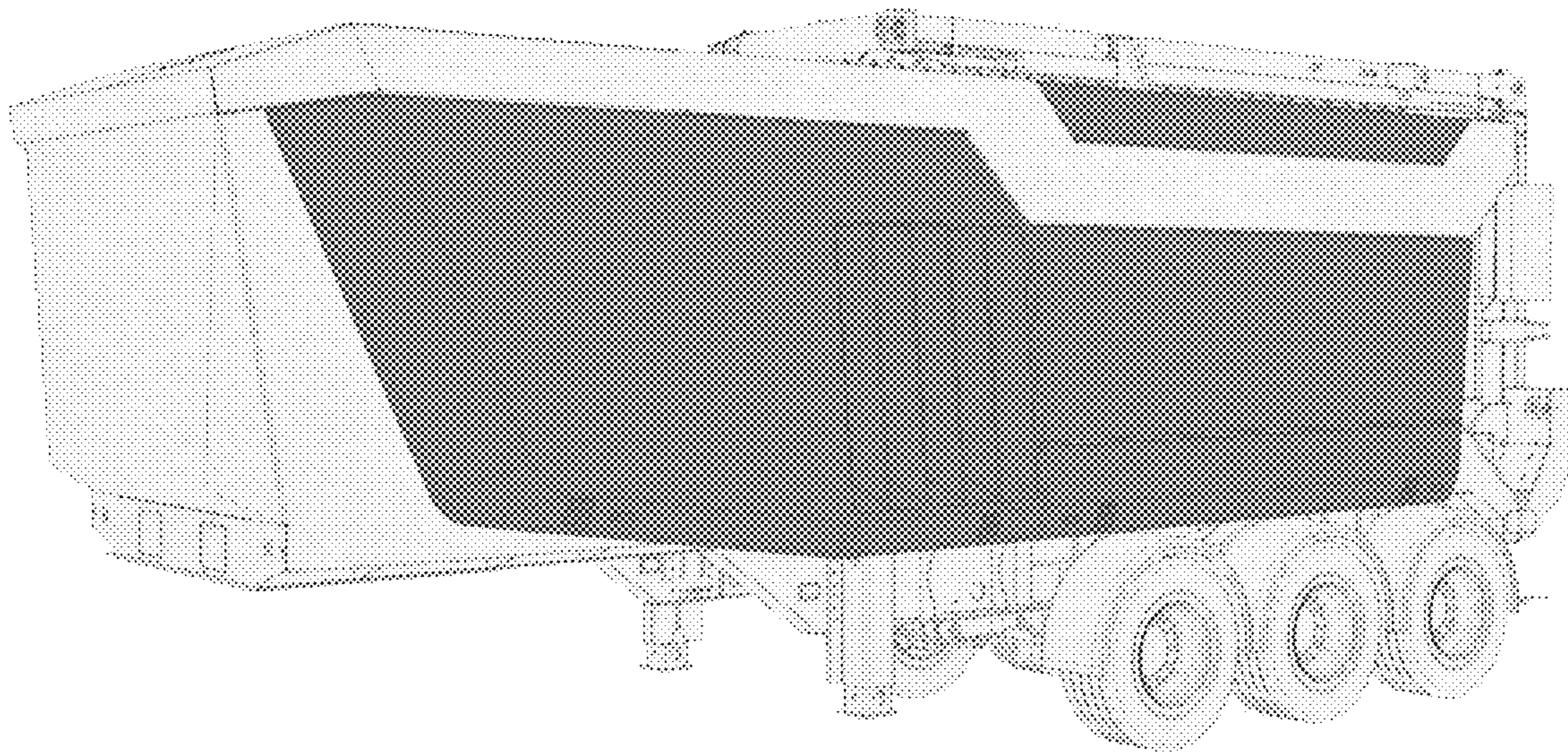
The patent or application file contains at least one drawing executed in color. Copies of this patent or patent application publication with color drawing(s) will be provided by the Office upon request and payment of the necessary fee.

- 1.1 is a front, left side perspective view of a shredder showing my new design;
- 1.2 is a left side view thereof;
- 1.3 is front, right side perspective view thereof;
- 1.4 is a right side view thereof;
- 1.5 is a rear, left side perspective view thereof; and
- 1.6 is a rear, right side perspective view thereof.

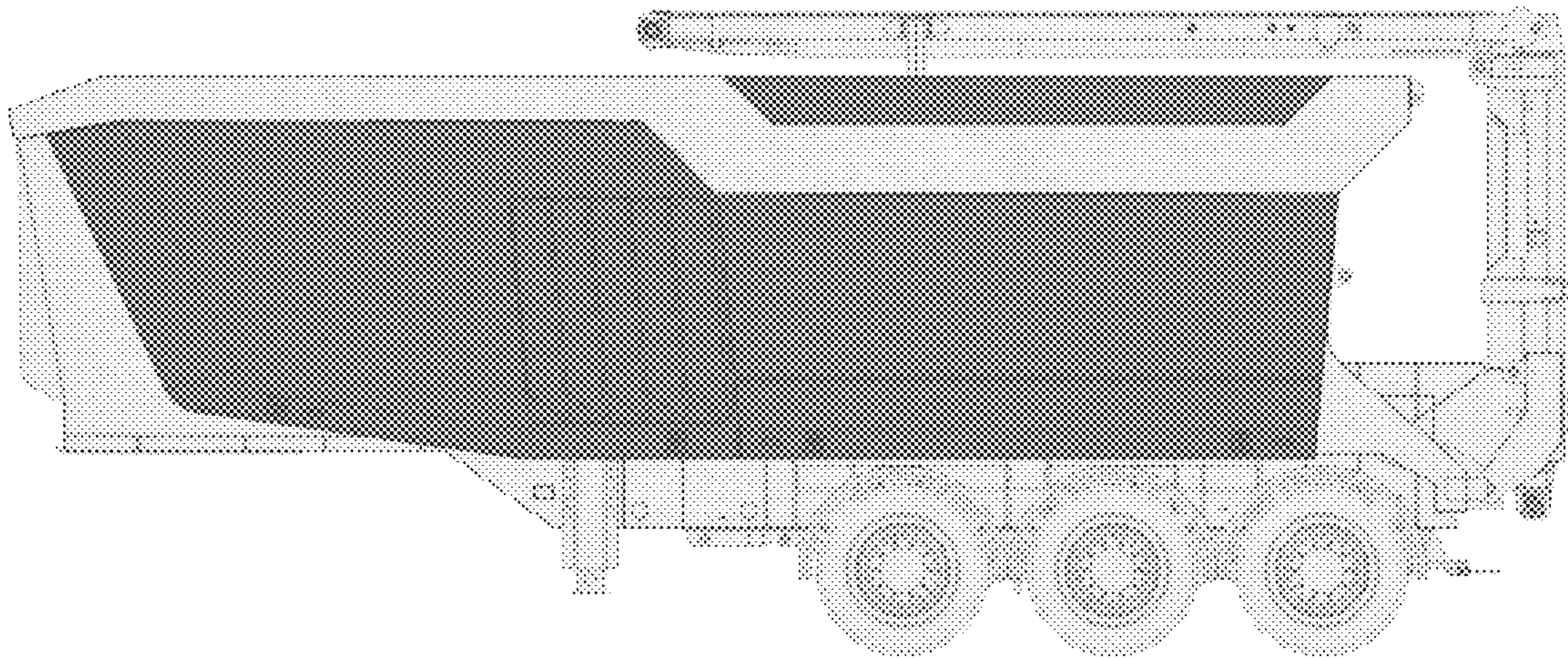
1 Claim, 6 Drawing Sheets
(6 of 6 Drawing Sheet(s) Filed in Color)



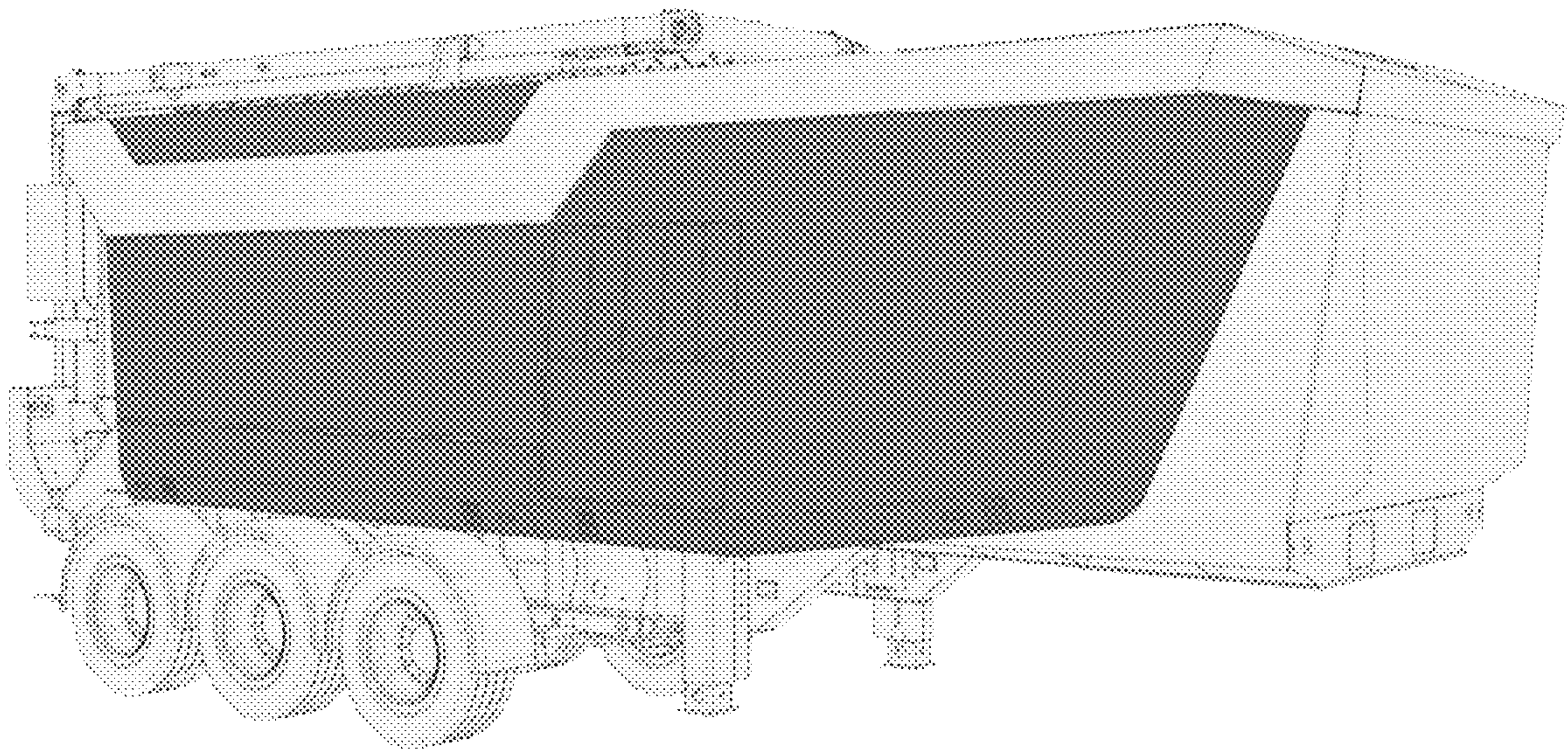
1.1



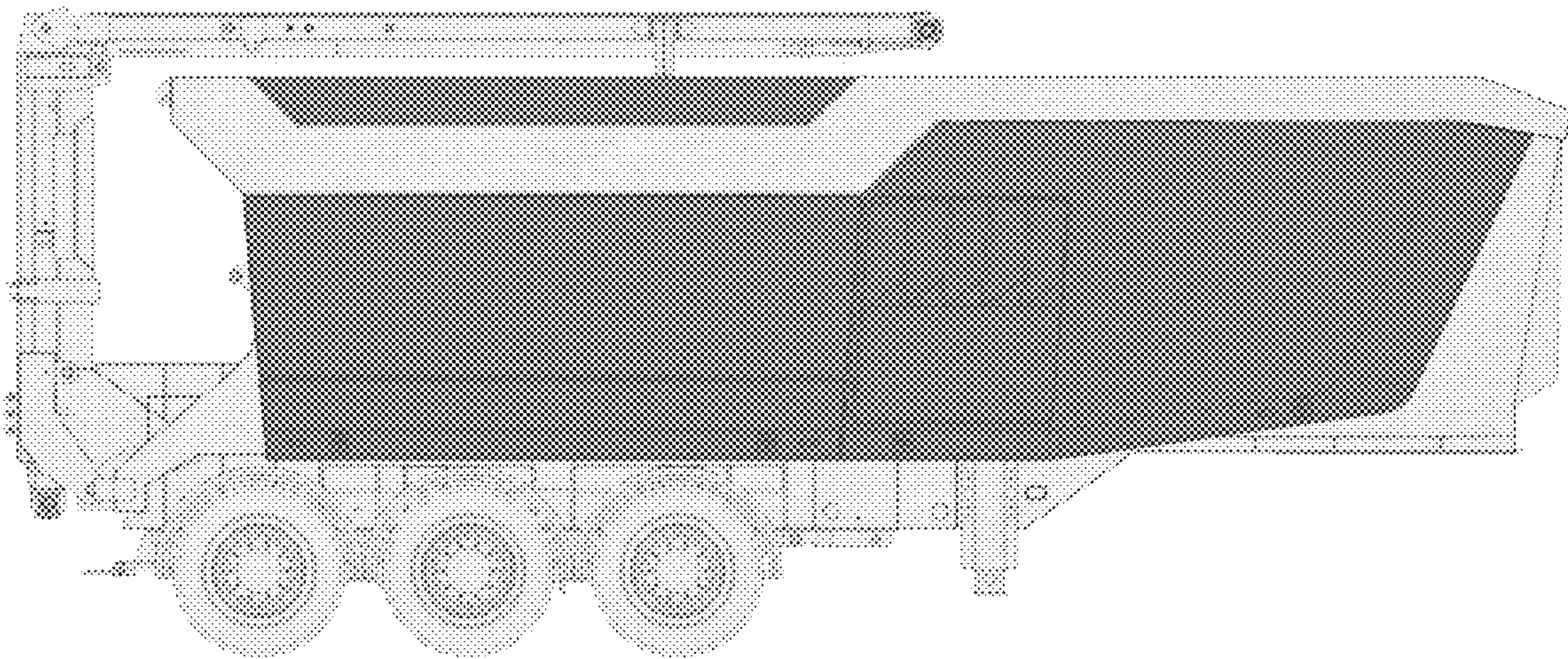
1.2



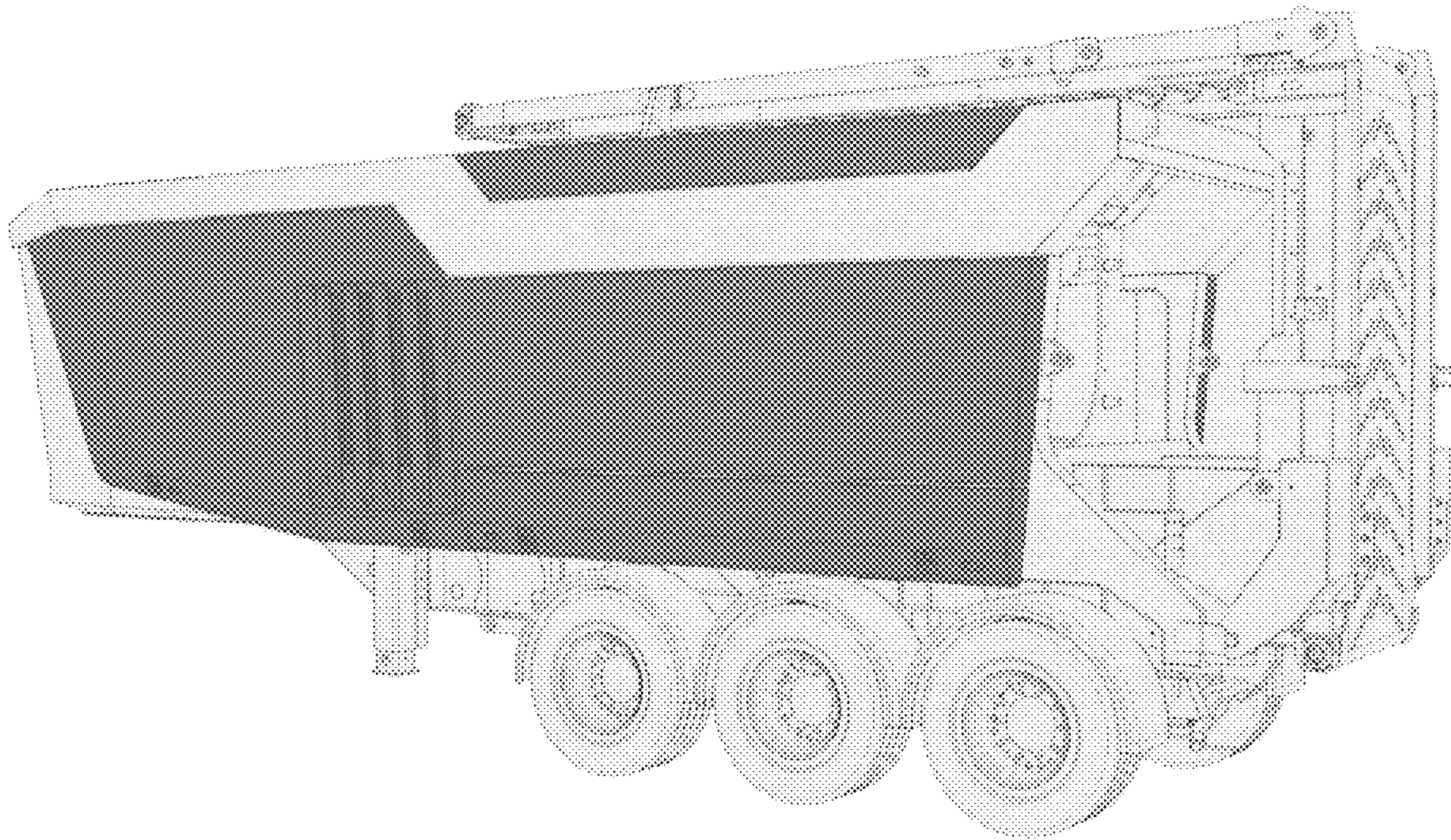
1.3



1.4



1.5



1.6

