

US00D860259S

(12) **United States Design Patent** (10) **Patent No.:** **US D860,259 S**  
**Ozeki et al.** (45) **Date of Patent:** **\*\* \*Sep. 17, 2019**

(54) **GAS FILLING APPARATUS**

(71) Applicant: **Tatsuno Corporation**, Tokyo (JP)

(72) Inventors: **Takeshi Ozeki**, Tokyo (JP); **Taku Kamikochi**, Tokyo (JP); **Yasuhiko Eda**, Tokyo (JP)

(73) Assignee: **TATSUNO CORPORATION**, Tokyo (JP)

(\*) Notice: This patent is subject to a terminal disclaimer.

(\*\*) Term: **15 Years**

(21) Appl. No.: **29/629,046**

(22) Filed: **Dec. 11, 2017**

(51) **LOC (12) Cl.** ..... **15-03**

(52) **U.S. Cl.**  
 USPC ..... **D15/9.1**

(58) **Field of Classification Search**  
 USPC ..... D15/7-9.3; D23/225, 231, 232  
 CPC ..... B67D 7/08  
 See application file for complete search history.

(56) **References Cited**

U.S. PATENT DOCUMENTS

D151,759 S \* 11/1948 Hoppe ..... D15/9.1  
 D199,502 S \* 11/1964 Jacobs et al. .... D15/9.1  
 D201,568 S \* 7/1965 Sasnett, Jr. .... D15/9.1  
 D211,401 S \* 6/1968 Chieda et al. .... D15/9.1

3,387,404 A \* 6/1968 Appel ..... A63H 17/44  
 446/130

D216,646 S \* 2/1970 Sasnett, Jr. .... D15/9.1  
 D278,921 S \* 5/1985 Nagode ..... D15/9.1  
 D334,199 S \* 3/1993 Ballew ..... D15/9.1  
 5,490,612 A \* 2/1996 Coquerel ..... B67D 7/38  
 222/25

D429,740 S \* 8/2000 Wilson ..... D15/9.2  
 D440,579 S \* 4/2001 Wilson ..... D15/9.2  
 6,446,049 B1 \* 9/2002 Janning ..... A01K 15/023  
 141/94

D557,289 S \* 12/2007 Stewart ..... D15/9.1  
 D570,376 S \* 6/2008 Friend, Jr. .... D15/9.1  
 D809,568 S \* 2/2018 Ozeki ..... D15/9.1  
 D813,913 S \* 3/2018 Ozeki ..... D15/9.1

\* cited by examiner

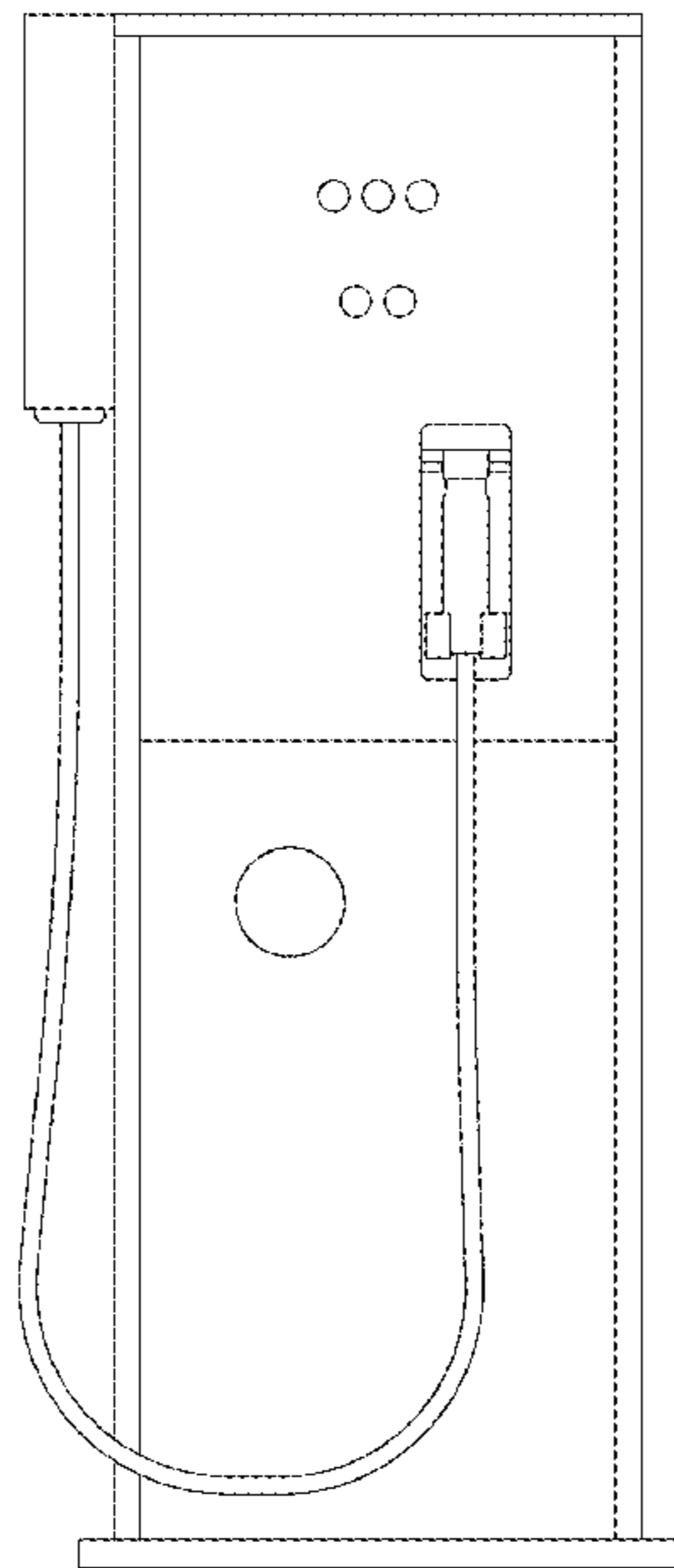
*Primary Examiner* — Khawaja Anwar  
 (74) *Attorney, Agent, or Firm* — Stetina Brunda Garred and Brucker; Mark B. Garred

(57) **CLAIM**  
 The ornamental design for a gas filling apparatus, as shown and described.

**DESCRIPTION**

FIG. 1 is a front elevational view of the gas filling apparatus of the present invention showing our new design;  
 FIG. 2 is a right side elevational view thereof;  
 FIG. 3 is a left side elevational view thereof;  
 FIG. 4 is a rear elevational view thereof;  
 FIG. 5 is a top plan view thereof;  
 FIG. 6 is a bottom plan view thereof; and,  
 FIG. 7 is a top, front perspective view thereof.

**1 Claim, 6 Drawing Sheets**



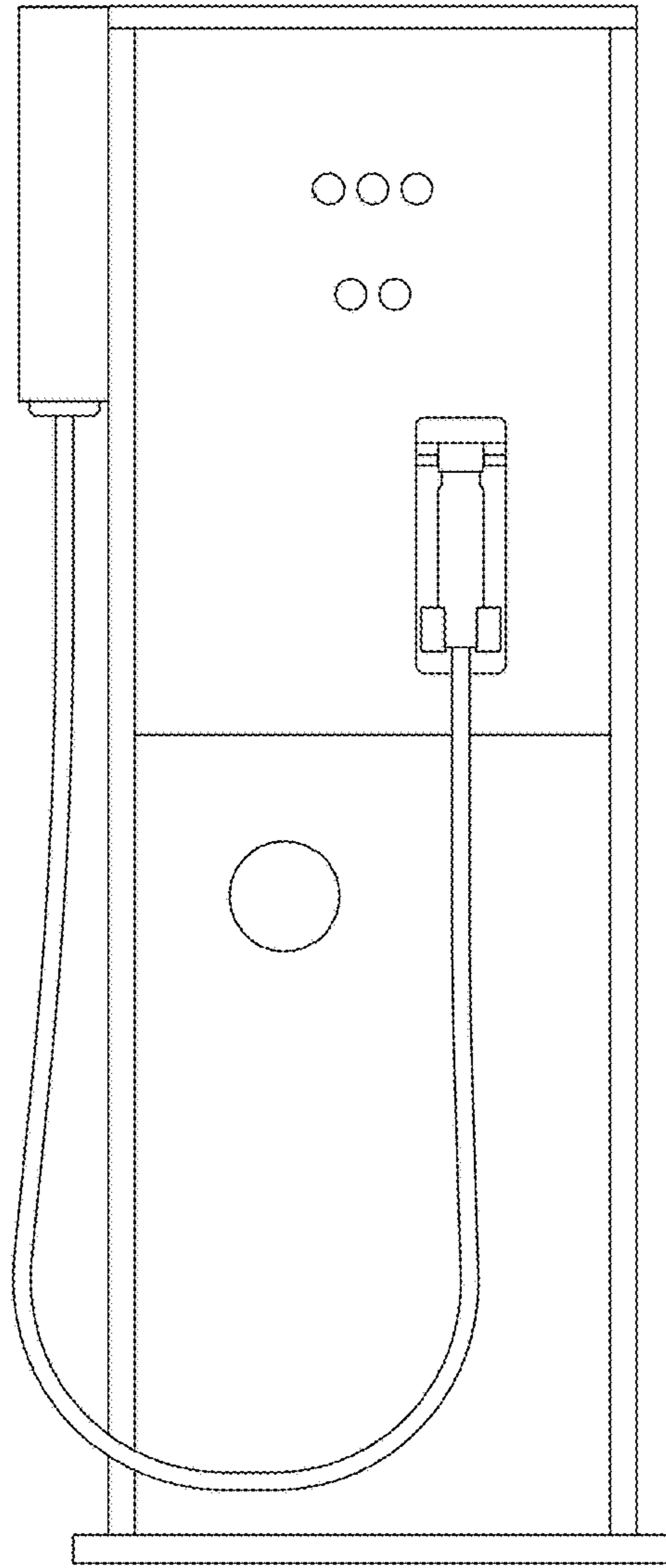


Figure 1

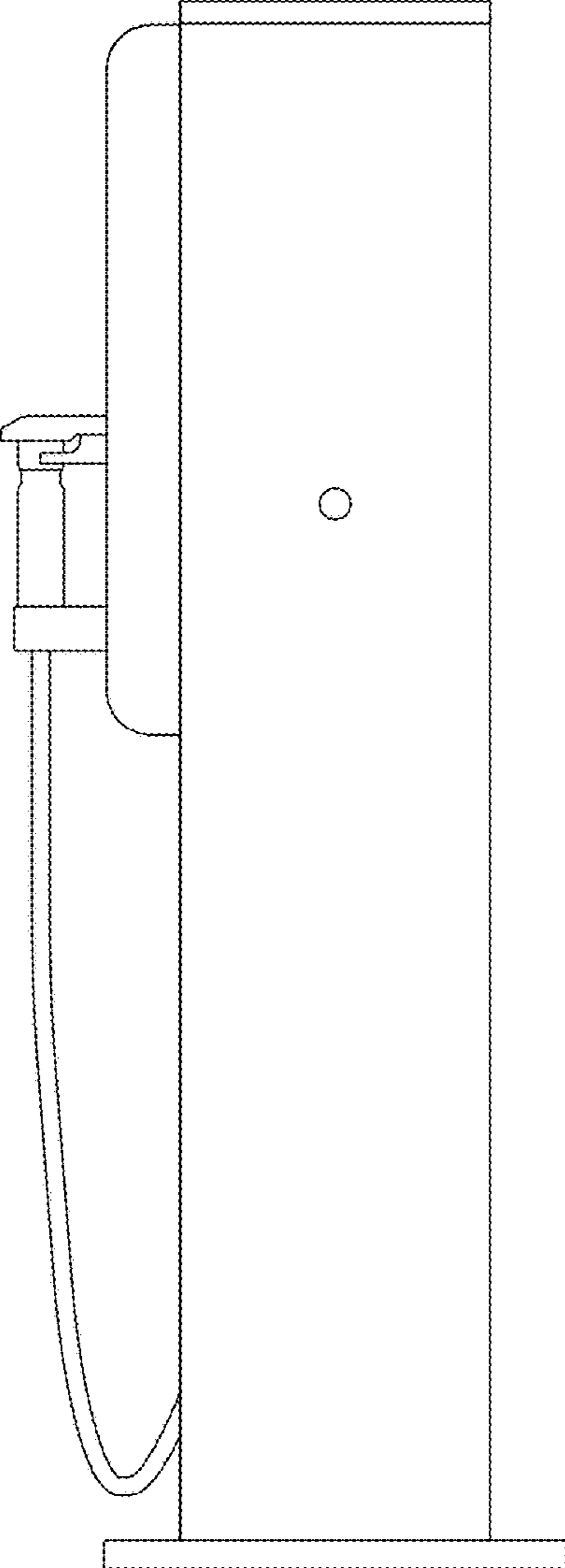


Figure 2

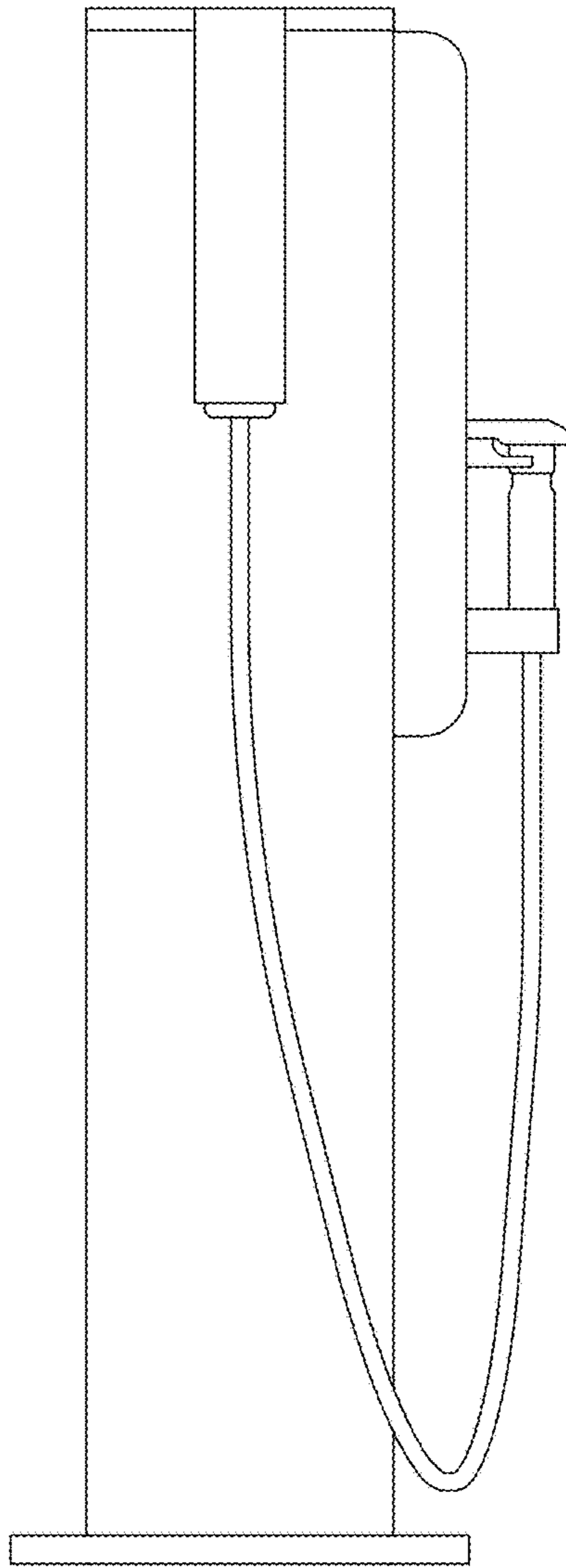


Figure 3

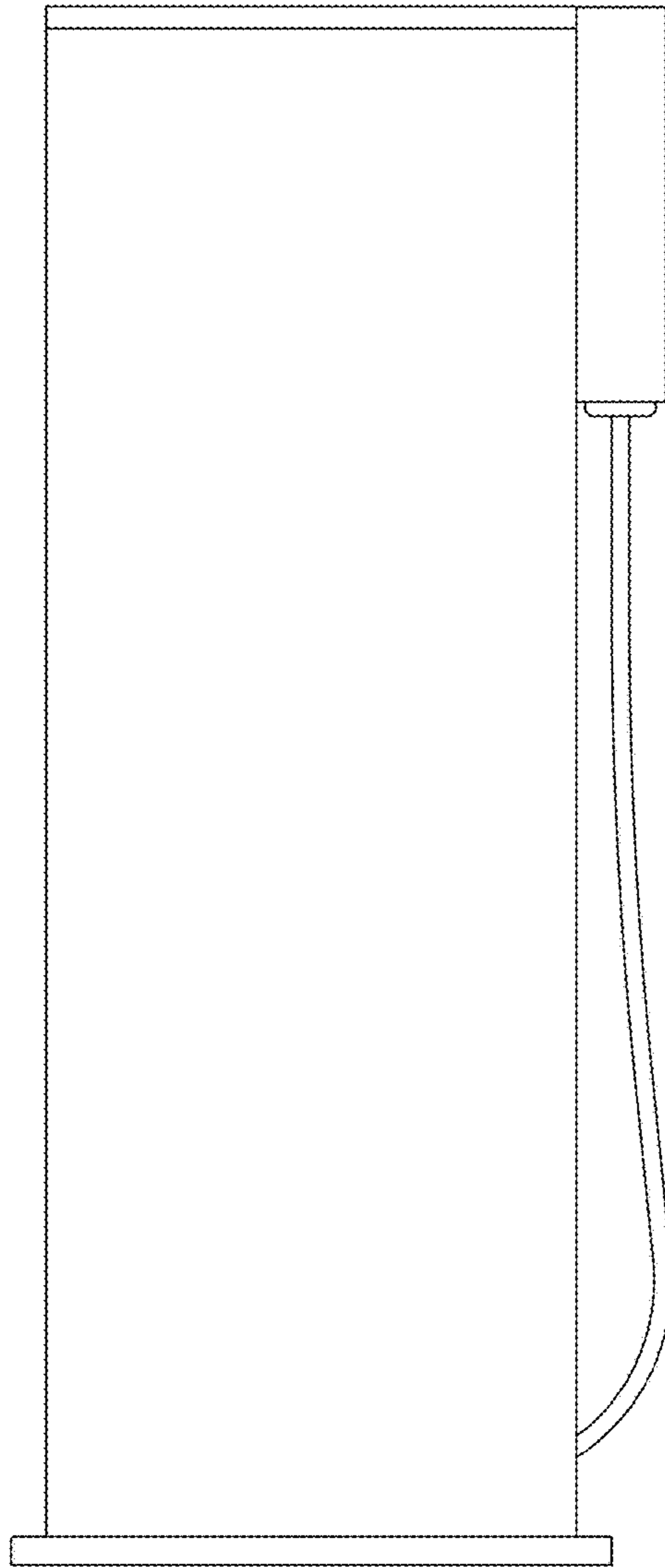


Figure 4

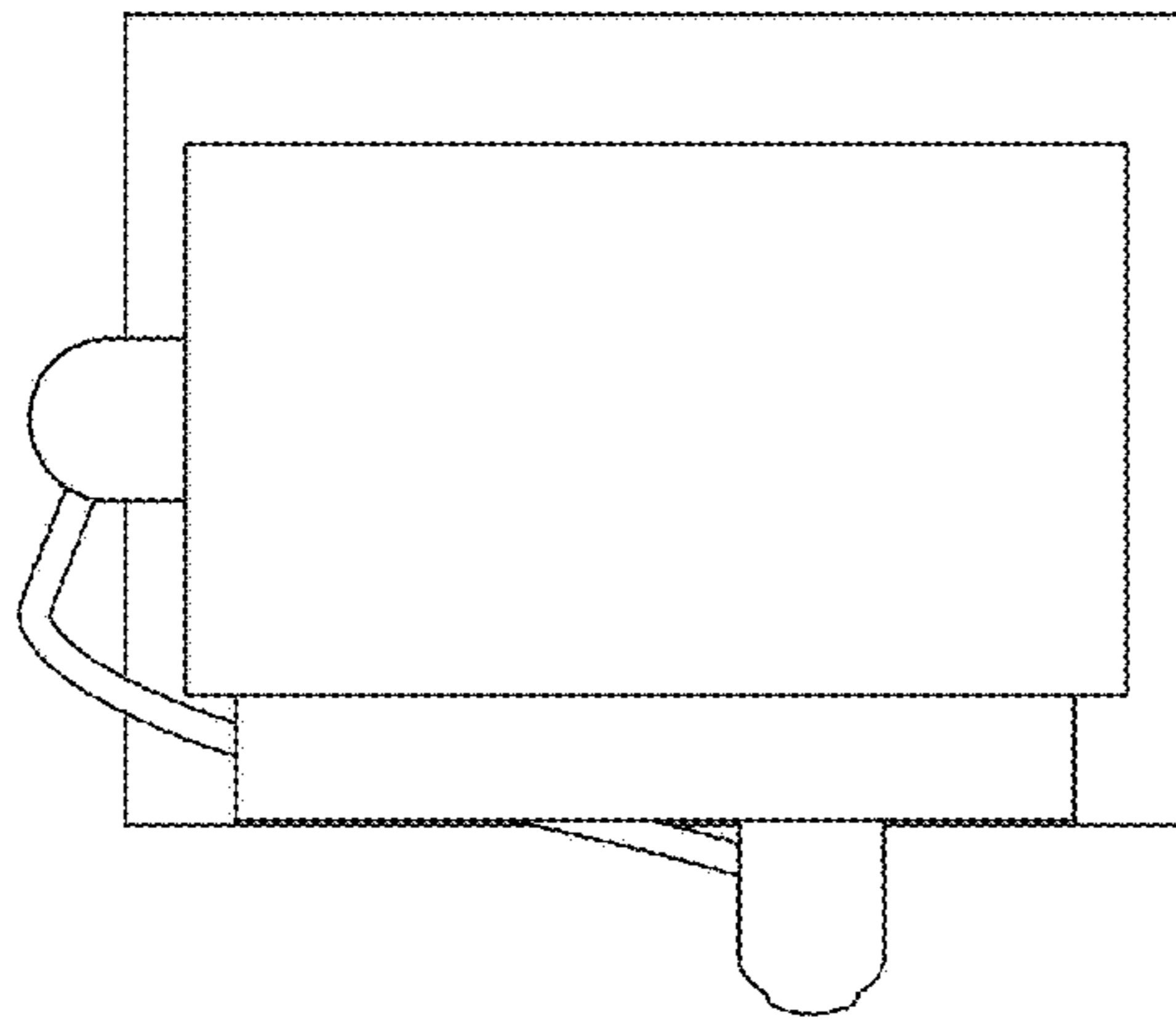


Figure 5

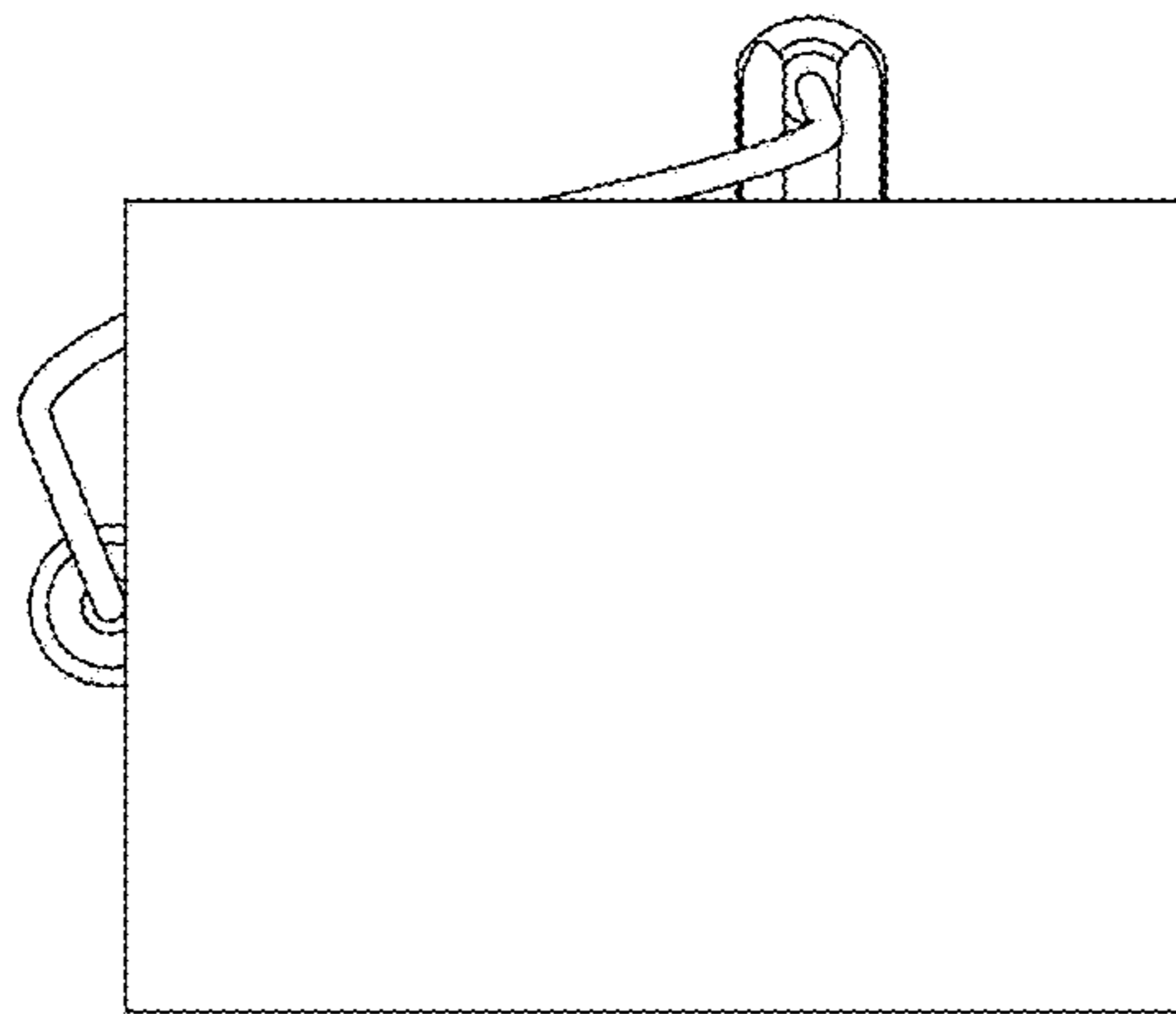


Figure 6

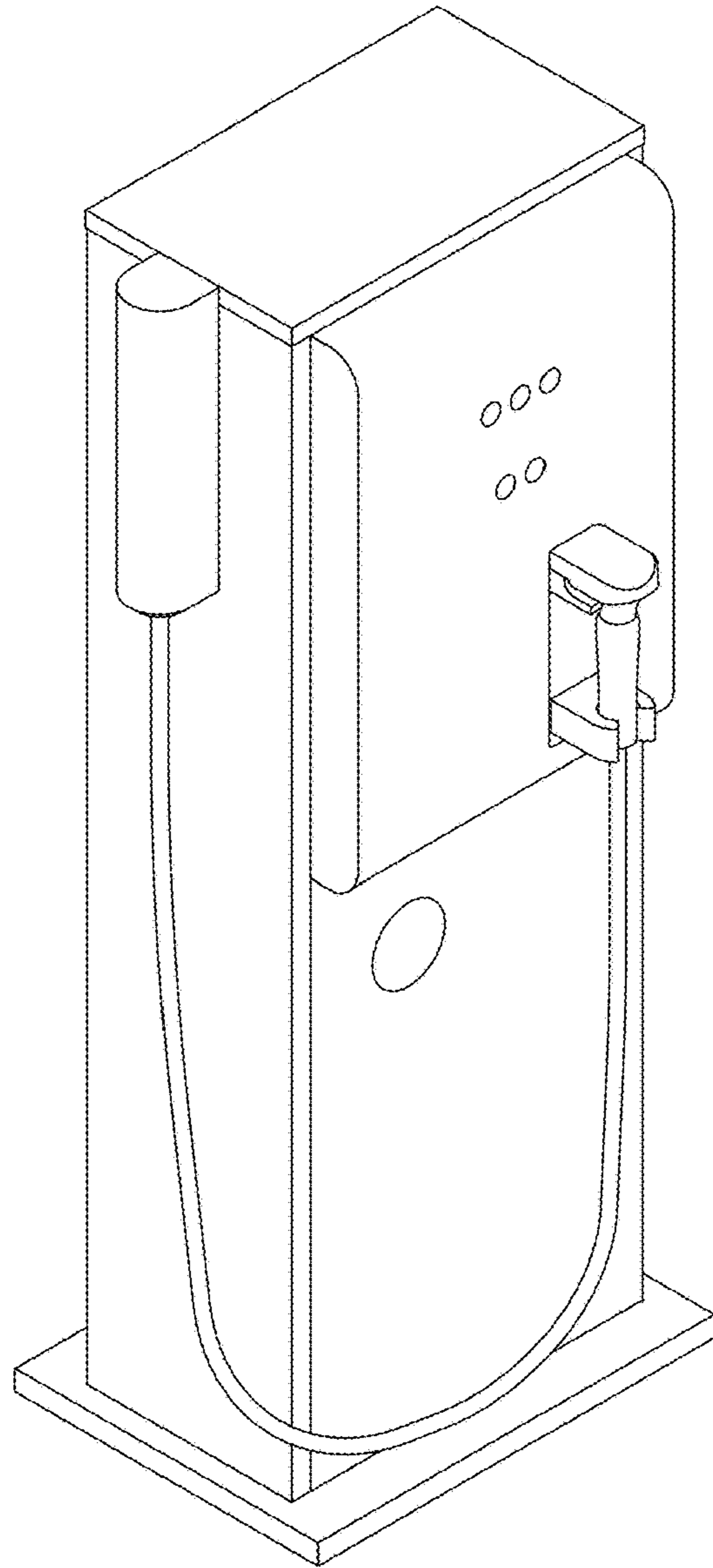


Figure 7