



US00D860258S

(12) **United States Design Patent**
Ihns et al.

(10) **Patent No.:** **US D860,258 S**

(45) **Date of Patent:** **** Sep. 17, 2019**

(54) **ENGINE WINDAGE TRAY WITH
CRANKSHAFT SCRAPER**

2004/0055545 A1* 3/2004 Baldwin F01M 1/08
123/41.35

2004/0177826 A1* 9/2004 Duwel F01M 11/0004
123/196 R

(71) Applicant: **Improved Racing Products, LLC,**
Orlando, FL (US)

* cited by examiner

(72) Inventors: **Richard Michael Ihns,** Orlando, FL
(US); **Jarott Edward Nelson,** Orlando,
FL (US)

Primary Examiner — T Chase Nelson

Assistant Examiner — Ania Aman

(73) Assignee: **IMPROVED RACING PRODUCTS,
LLC,** Orlando, FL (US)

(57) **CLAIM**

(**) Term: **15 Years**

The ornamental design for an engine windage tray with
crankshaft scraper, as shown and described.

(21) Appl. No.: **29/611,305**

(22) Filed: **Jul. 20, 2017**

(51) **LOC (12) Cl.** **15-01**

(52) **U.S. Cl.**

USPC **D15/5**

(58) **Field of Classification Search**

USPC D15/5, 199

CPC F01M 11/0004; F01M 2011/0033; F01M
2011/005; F01M 11/00

See application file for complete search history.

DESCRIPTION

FIG. 1 is a top perspective view of an engine windage tray
with crankshaft scraper showing the claimed design.

FIG. 2 is a bottom perspective view thereof.

FIG. 3 is a front view thereof.

FIG. 4 is a rear view thereof.

FIG. 5 is a left side view thereof.

FIG. 6 is a right side view thereof.

FIG. 7 is a top view thereof.

FIG. 8 is a bottom view thereof; and,

FIG. 9 is an exploded bottom perspective view thereof. The
dashed lines indicate the alignment of components and
forms no part of the claimed design.

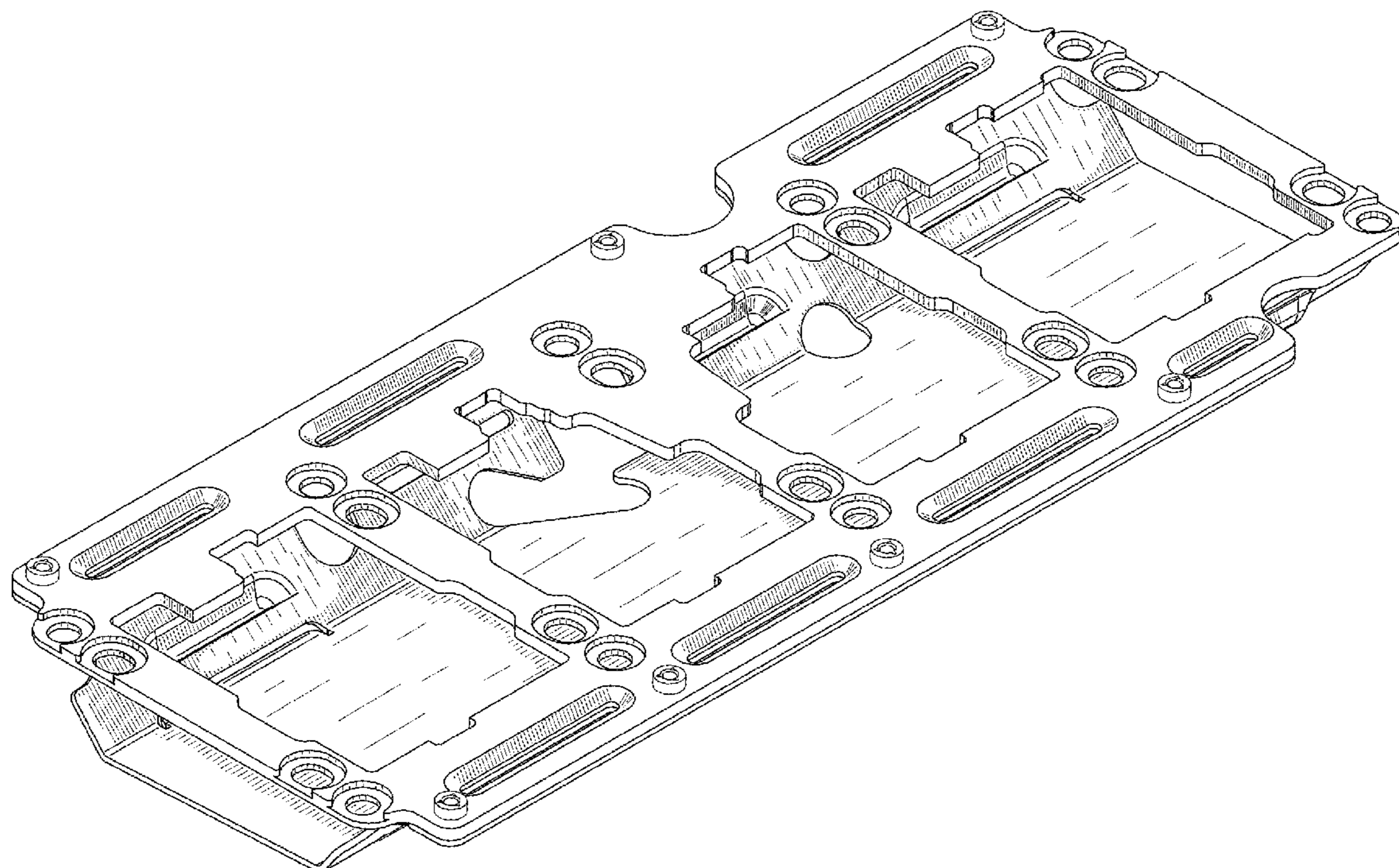
(56) **References Cited**

U.S. PATENT DOCUMENTS

6,019,071 A * 2/2000 Maciejka, Jr. F01M 11/0004
123/195 H

7,516,728 B1 * 4/2009 Staley F01M 11/0004
123/195 C

1 Claim, 7 Drawing Sheets



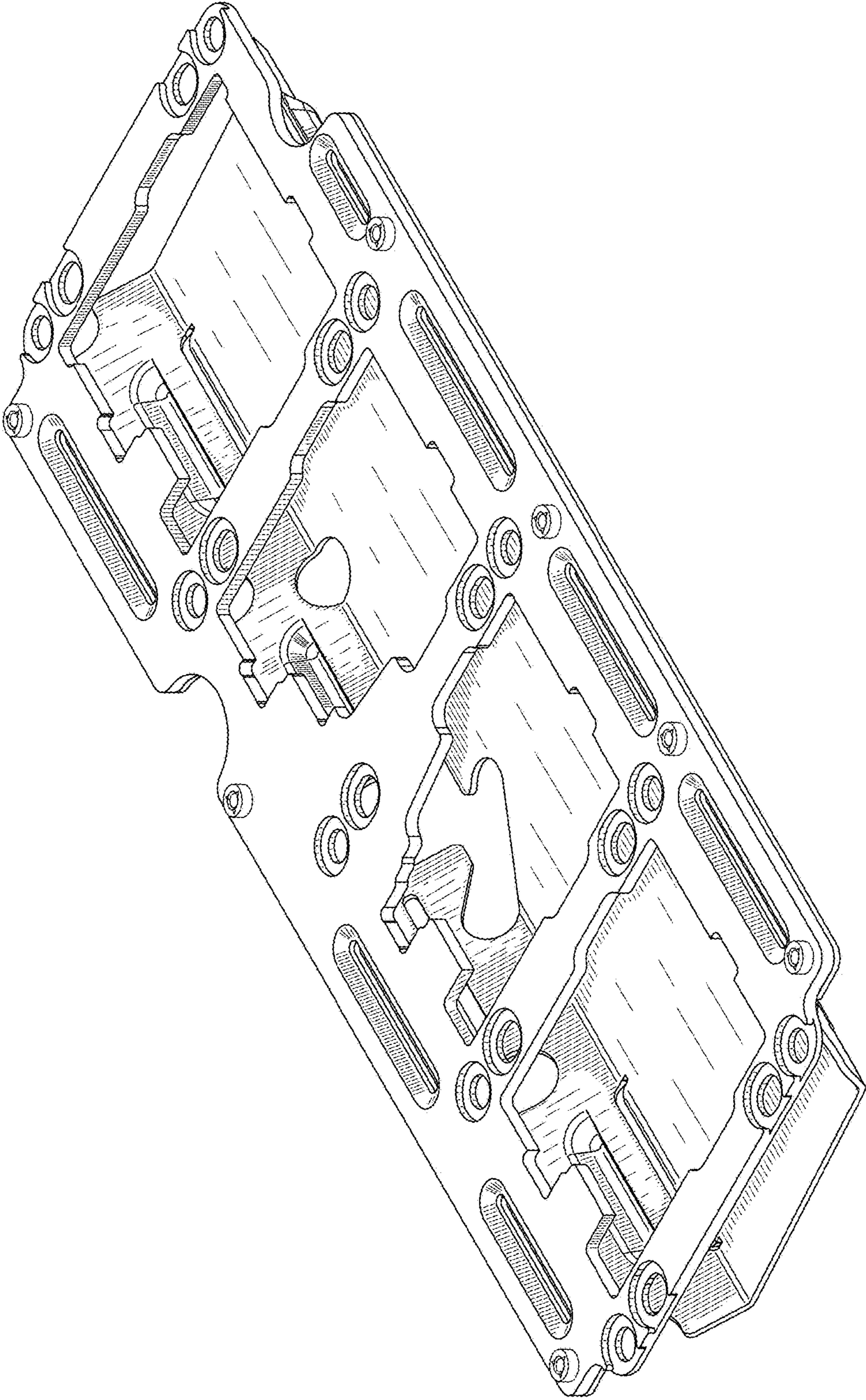


Fig. 1

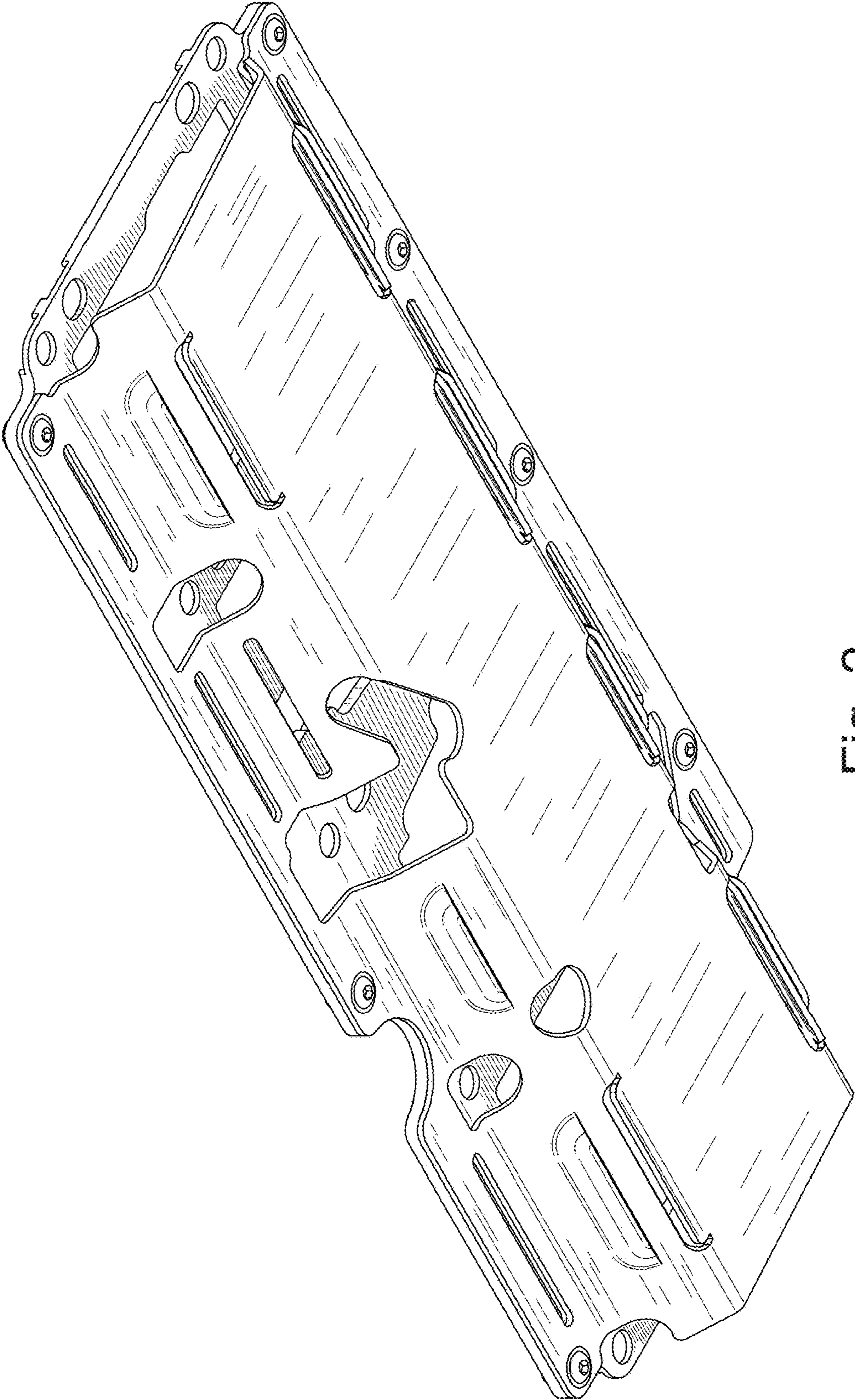


Fig. 2

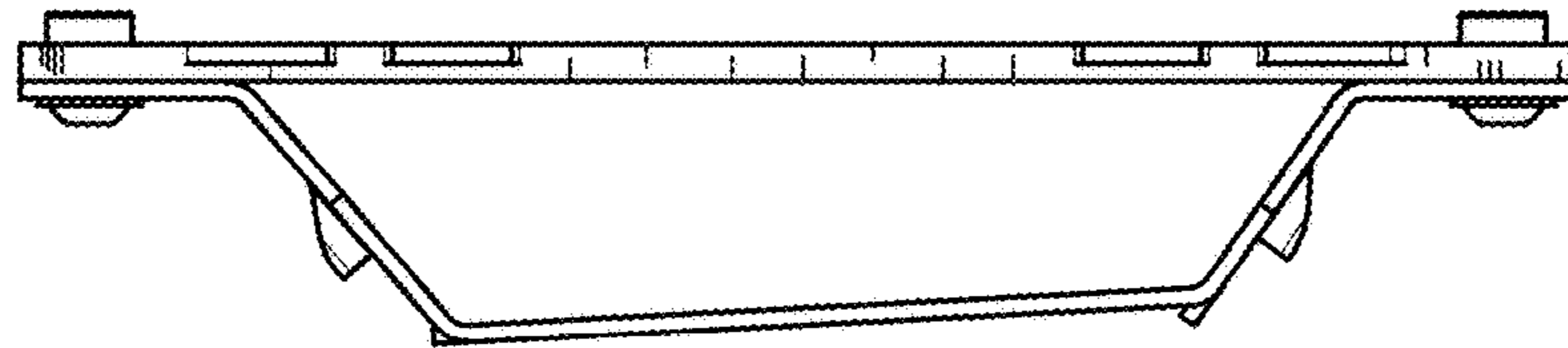


Fig. 3

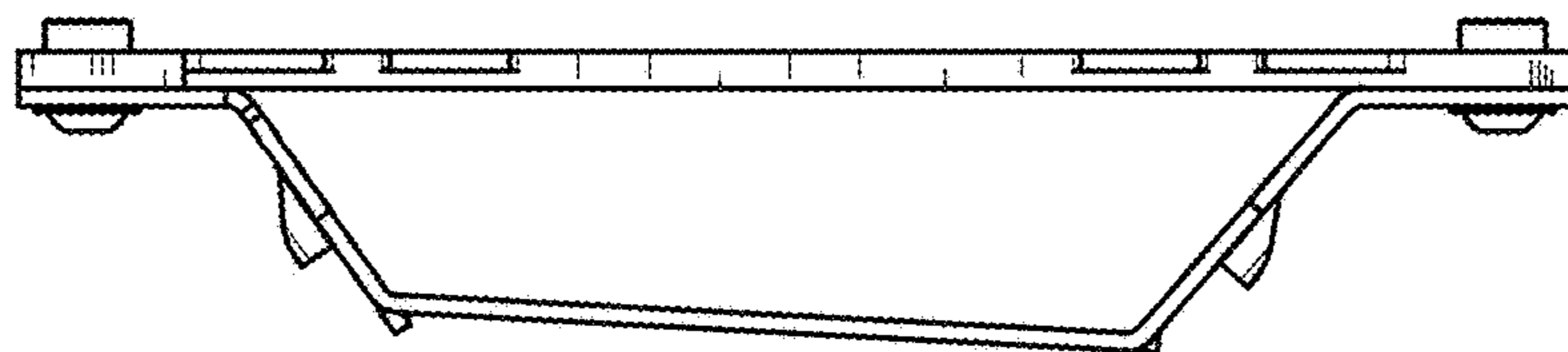


Fig. 4

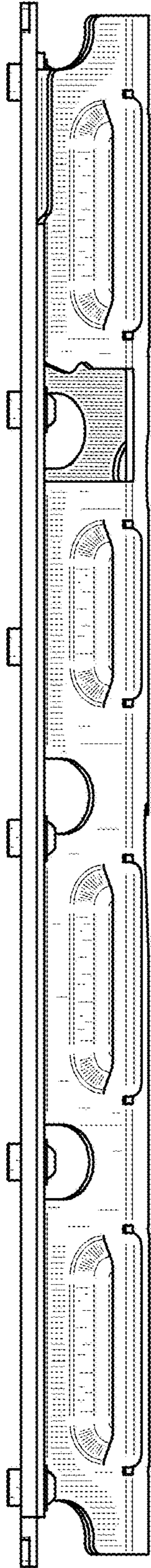


Fig. 5

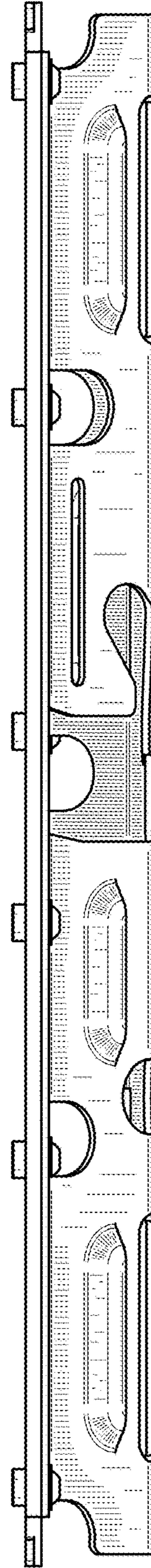


Fig. 6

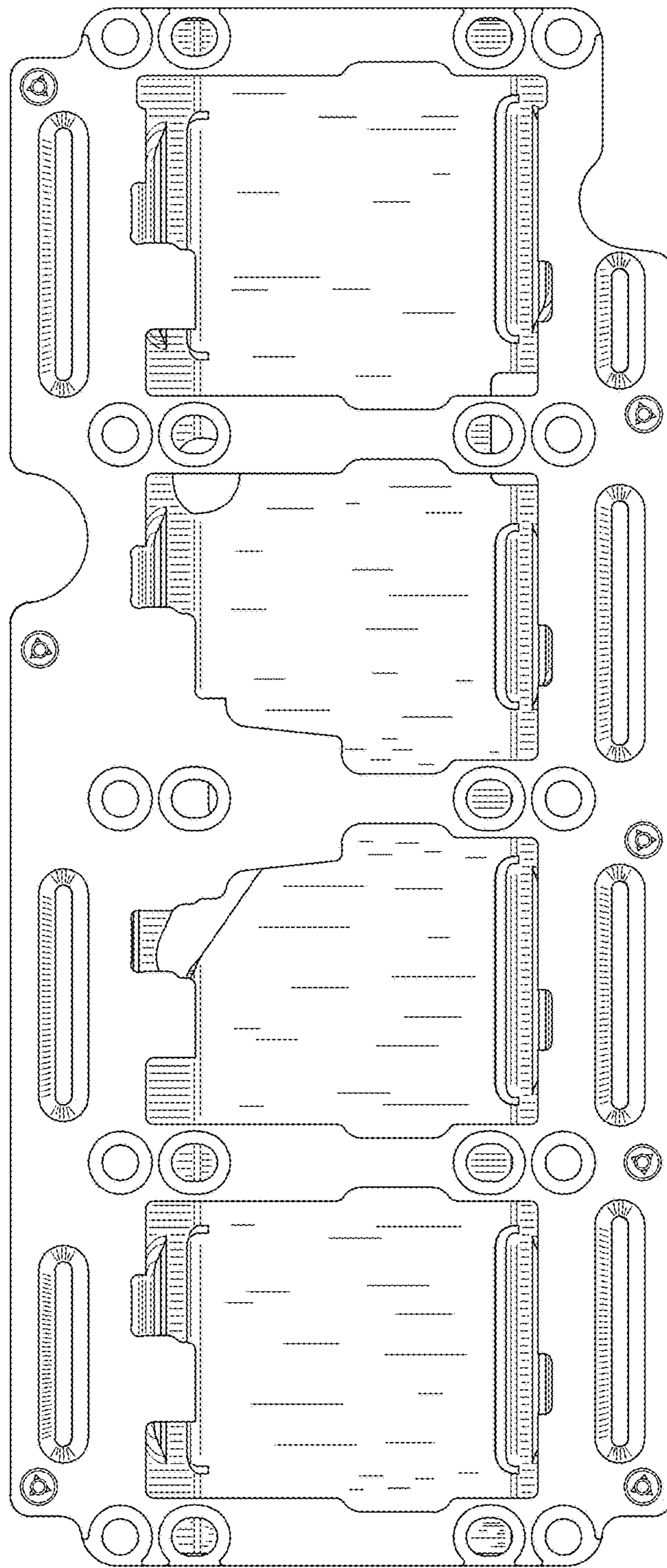


Fig. 7

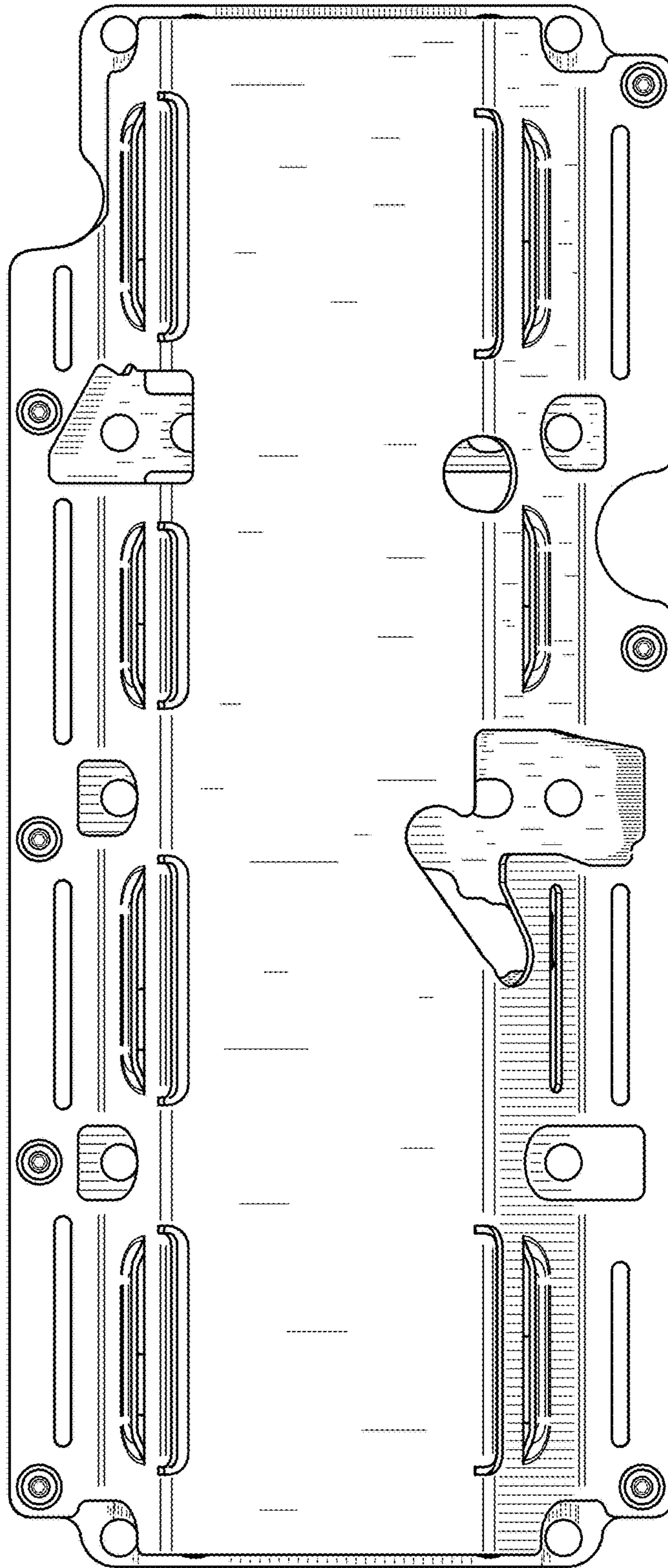


Fig. 8

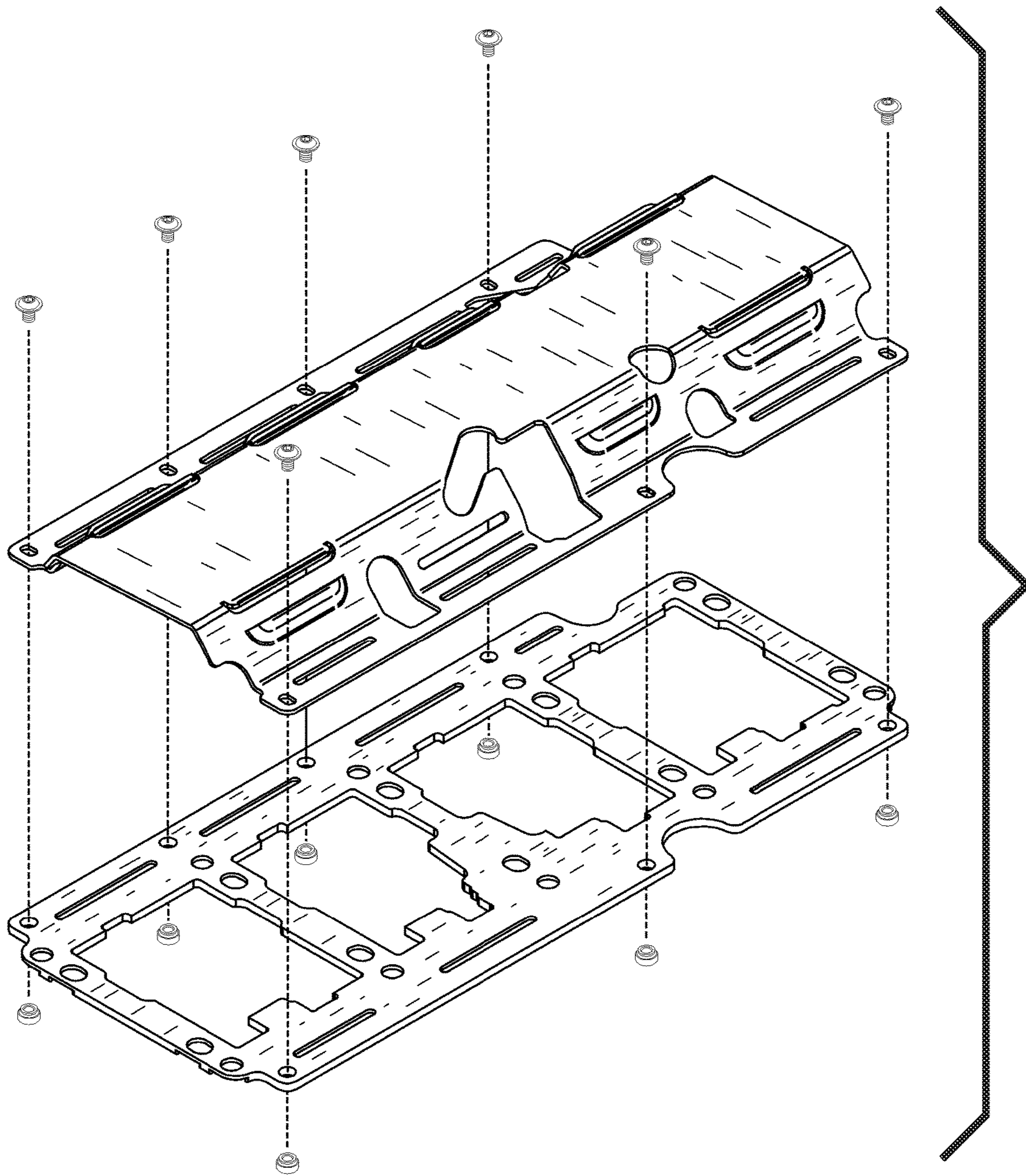


Fig. 9