

US00D860231S

(12) **United States Design Patent**
Hussain

(10) **Patent No.:** **US D860,231 S**

(45) **Date of Patent:** **** Sep. 17, 2019**

(54) **MEDICAL MONITOR DISPLAY SCREEN OR PORTION THEREOF WITH GRAPHICAL USER INTERFACE**

D832,292 S *	10/2018	Hu	D14/486
D835,142 S *	12/2018	Li	D14/486
D840,423 S *	2/2019	Narinedhat	D14/486
D840,428 S *	2/2019	Narinedhat	D14/488
2013/0176116 A1 *	7/2013	Jung	G08C 17/02
				340/12.5
2014/0082563 A1 *	3/2014	Kim	G06F 3/0482
				715/835
2016/0349942 A1 *	12/2016	Ericsson	G06F 3/04817

(71) Applicant: **M3dicine, LLC**

(72) Inventor: **Arsil Nayyar Hussain**, Eight Mile Plains (AU)

(73) Assignee: **M3dicine IP Pty Ltd**, Brisbane (AU)

(**) Term: **15 Years**

(21) Appl. No.: **29/627,499**

(22) Filed: **Nov. 28, 2017**

(51) **LOC (12) Cl.** **14-04**

(52) **U.S. Cl.**
USPC **D14/486**

(58) **Field of Classification Search**
USPC D14/485–495
CPC A61B 5/02; A61B 8/46; G06T 2207/30004
See application file for complete search history.

(56) **References Cited**

U.S. PATENT DOCUMENTS

5,392,388 A *	2/1995	Gibson	G06F 3/04845
				345/684
6,747,678 B1 *	6/2004	Katayama	H04S 1/007
				345/440
D732,560 S *	6/2015	Capela	D14/486
D745,884 S *	12/2015	Shardlow	D14/487
D778,301 S *	2/2017	Toda	D14/486
D781,877 S *	3/2017	Ko	D14/485
D783,667 S *	4/2017	Jung	D14/487
D826,957 S *	8/2018	Pillalamarri	D14/485
D830,384 S *	10/2018	Lepine	D14/486
D831,035 S *	10/2018	McGlasson	D14/485

* cited by examiner

Primary Examiner — Darlington Ly

Assistant Examiner — Katherine A Holbrow

(74) *Attorney, Agent, or Firm* — Saul Ewing Arnstein & Lehr LLP

(57) **CLAIM**

The ornamental design for a medical monitor display screen or portion thereof with graphical user interface, as shown and described.

DESCRIPTION

FIG. 1 is a front view of a first embodiment of a medical monitor display screen or portion thereof with graphical user interface showing our new design;

FIG. 2 is a front view of a second embodiment thereof;

FIG. 3 is a front view of a third embodiment thereof;

FIG. 4 is a front view of a fourth embodiment thereof;

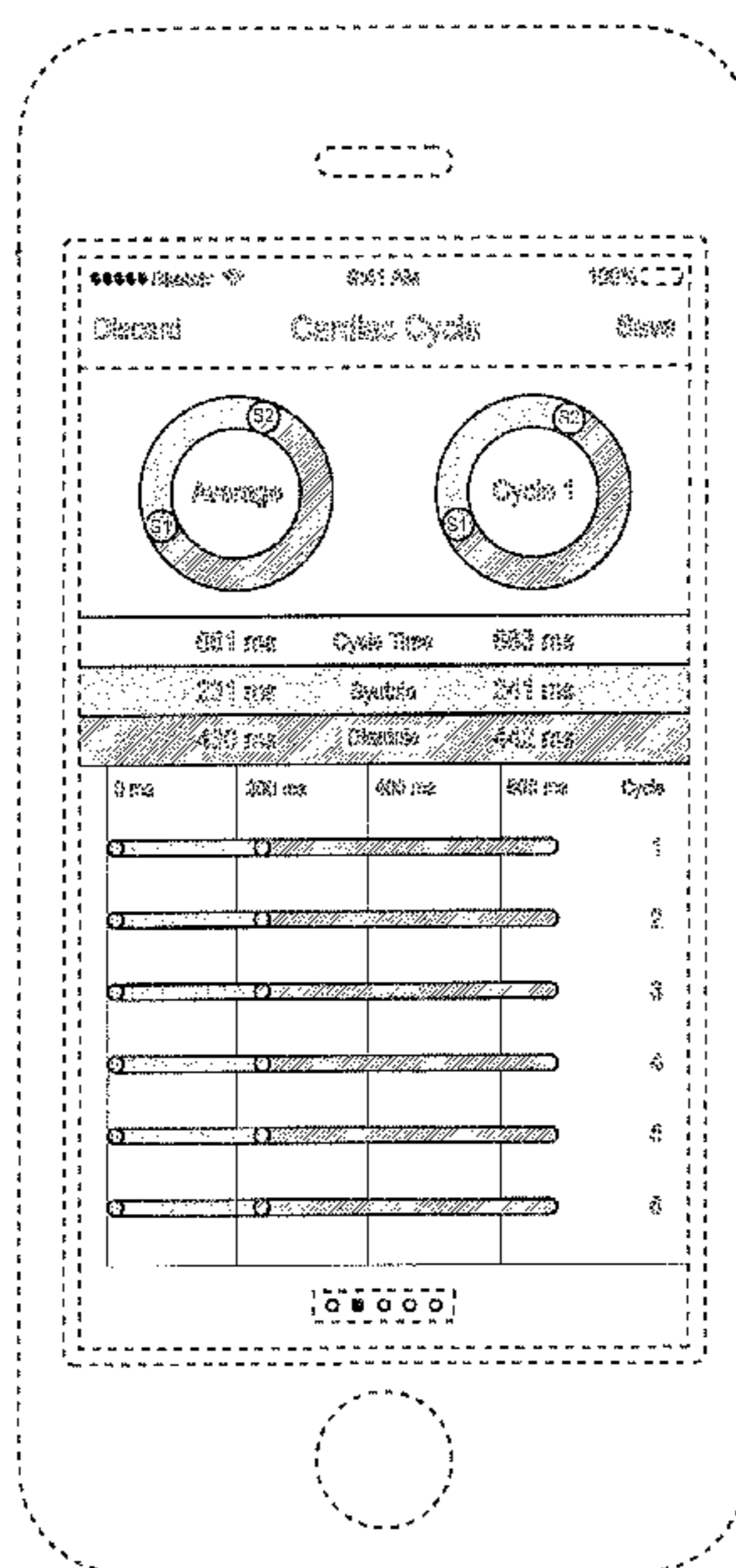
FIG. 5 is a front view of a fifth embodiment thereof;

FIG. 6 is a front view of a sixth embodiment thereof; and,

FIG. 7 is a front view of a seventh embodiment thereof.

The broken line showing of an electronic device illustrates environmental subject matter and forms no part of the claimed design. All other broken lines showing the display screen and portions of the graphical user interface illustrate portions of the article and form no part of the claimed design. Shaded areas form part of the claimed design.

1 Claim, 7 Drawing Sheets



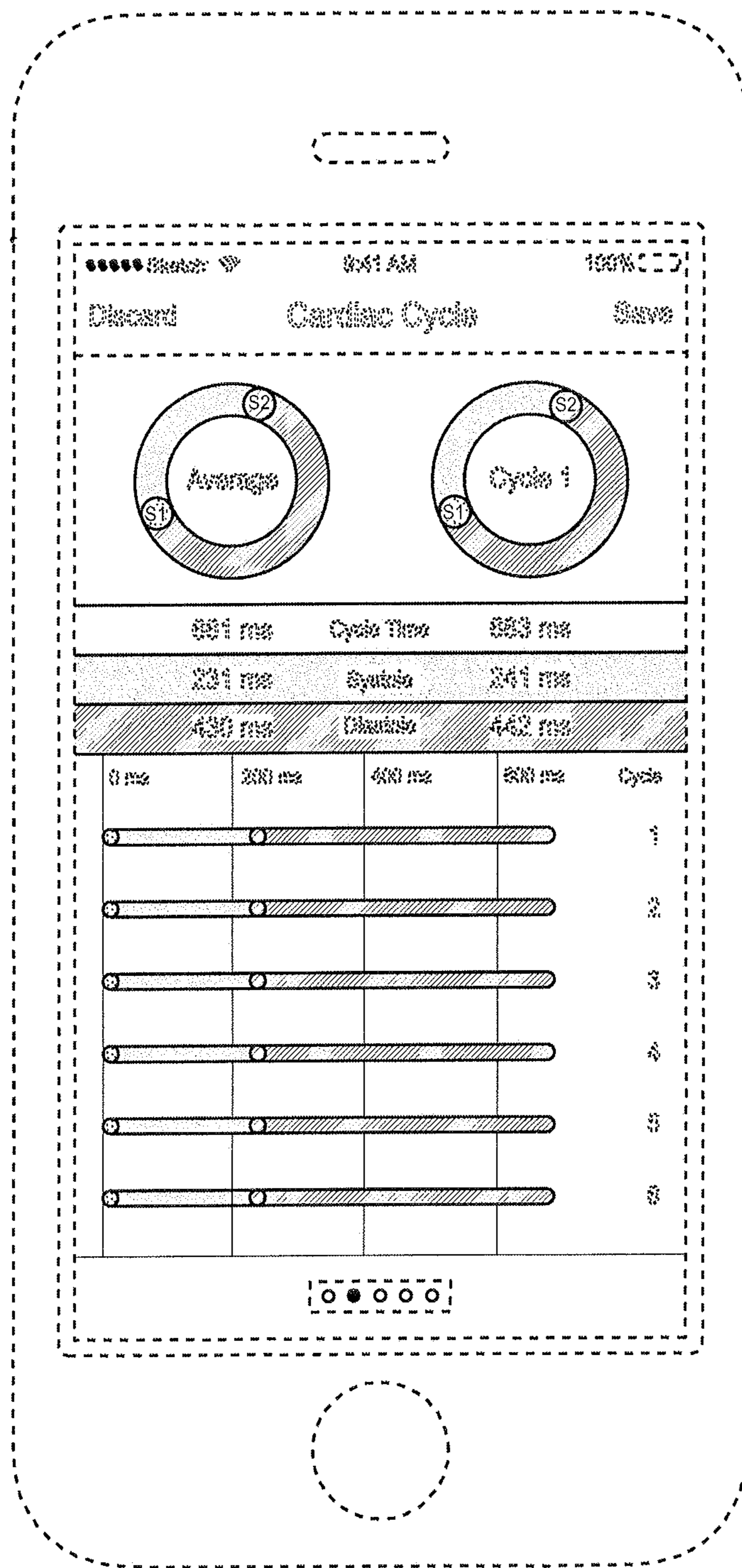


FIG. 1

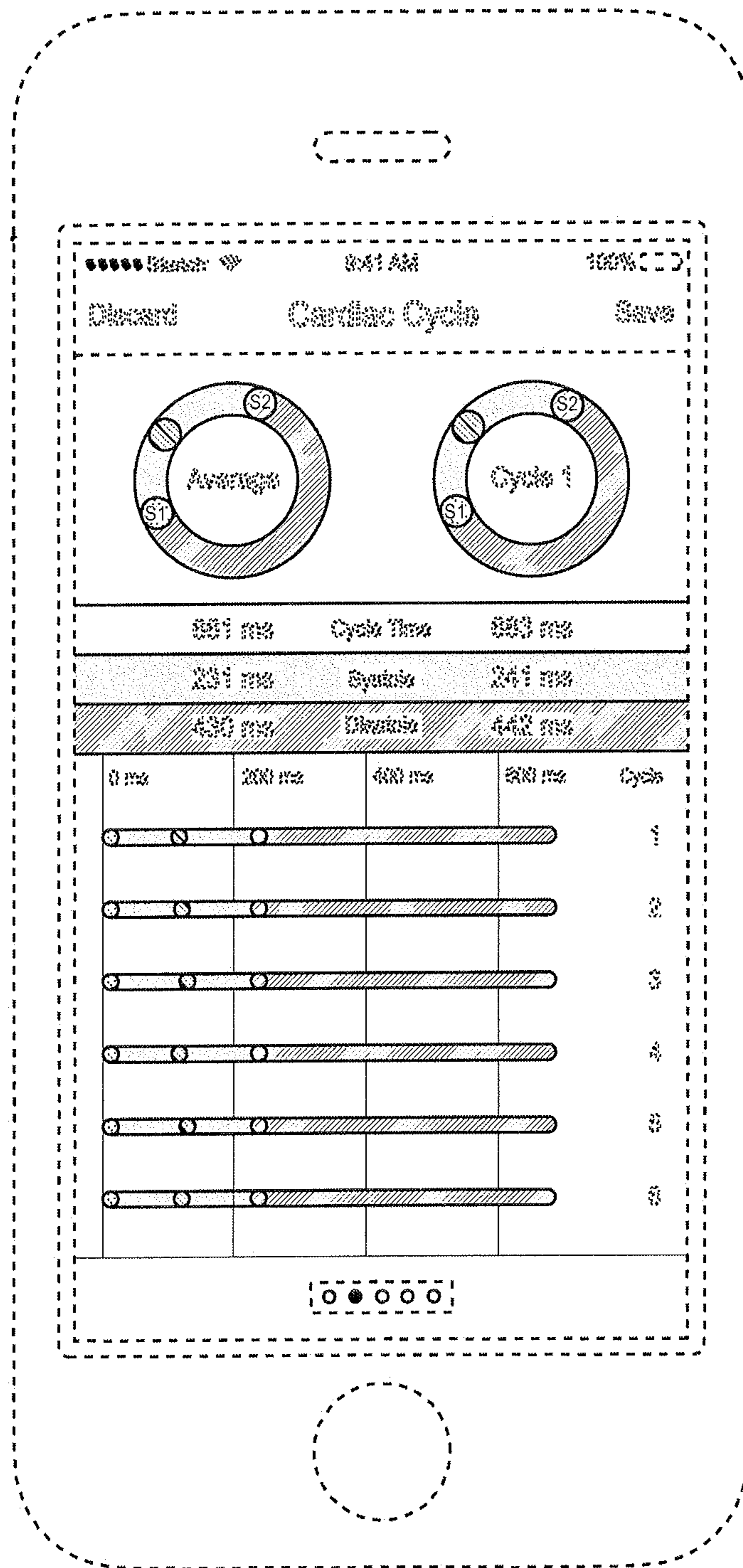


FIG. 2

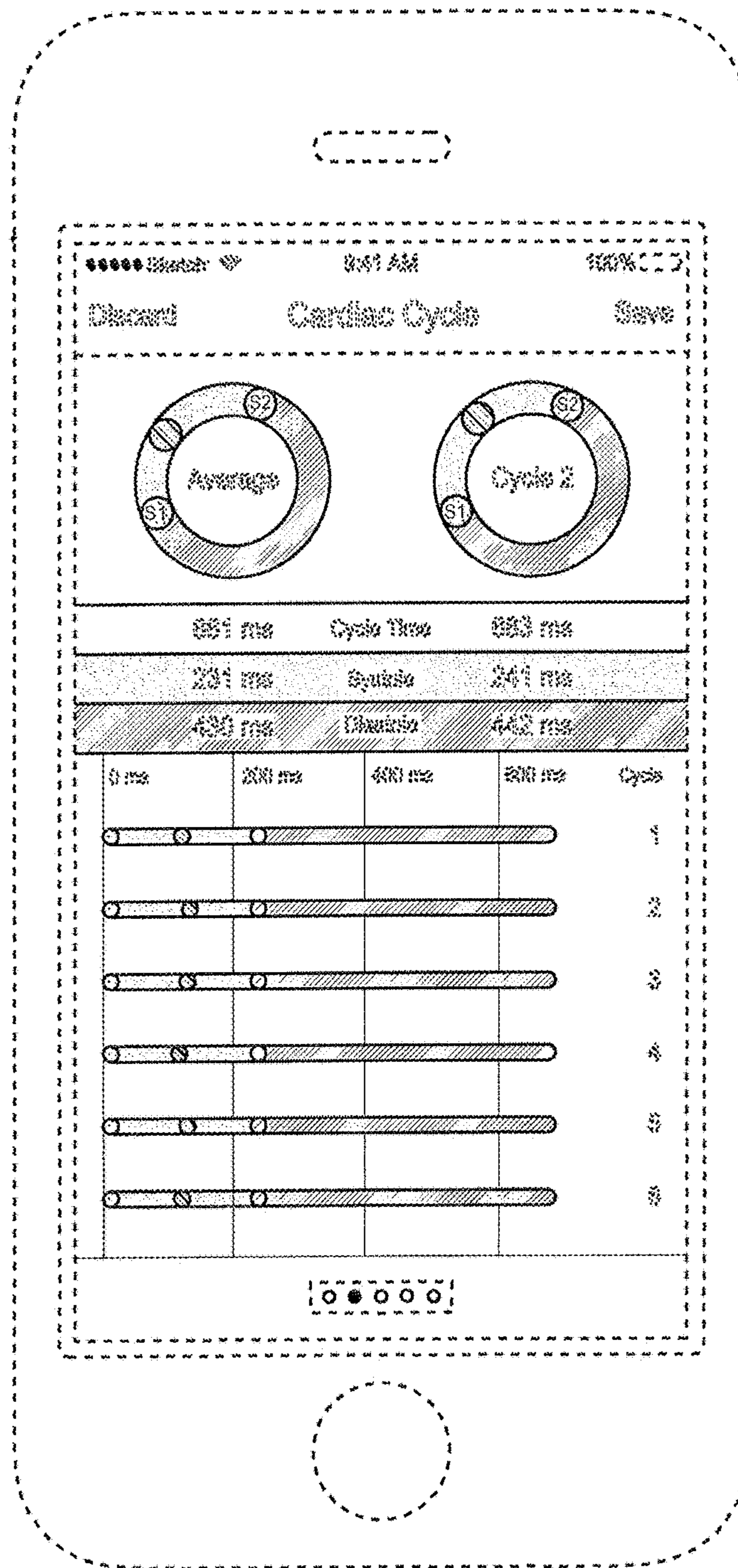


FIG. 3

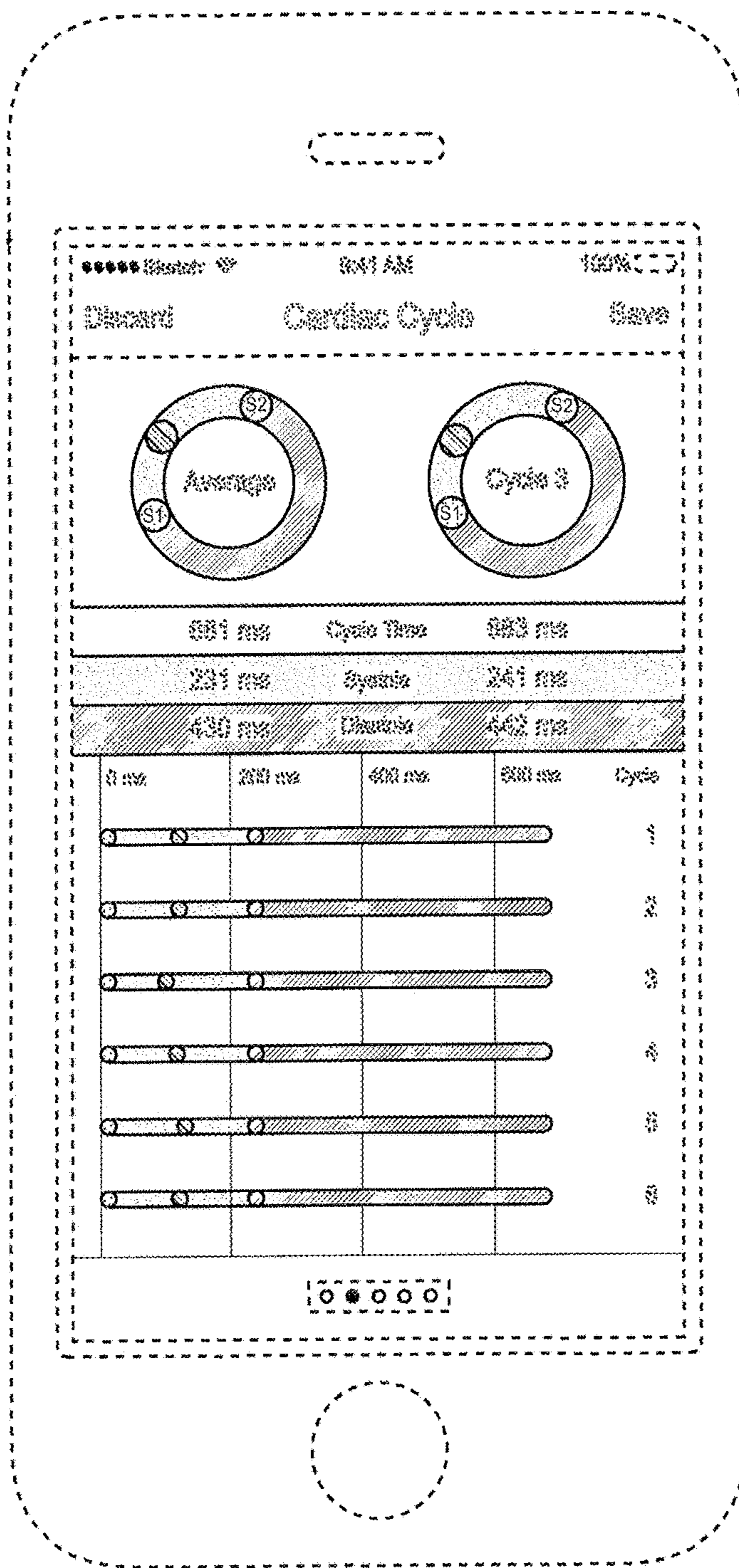


FIG. 4

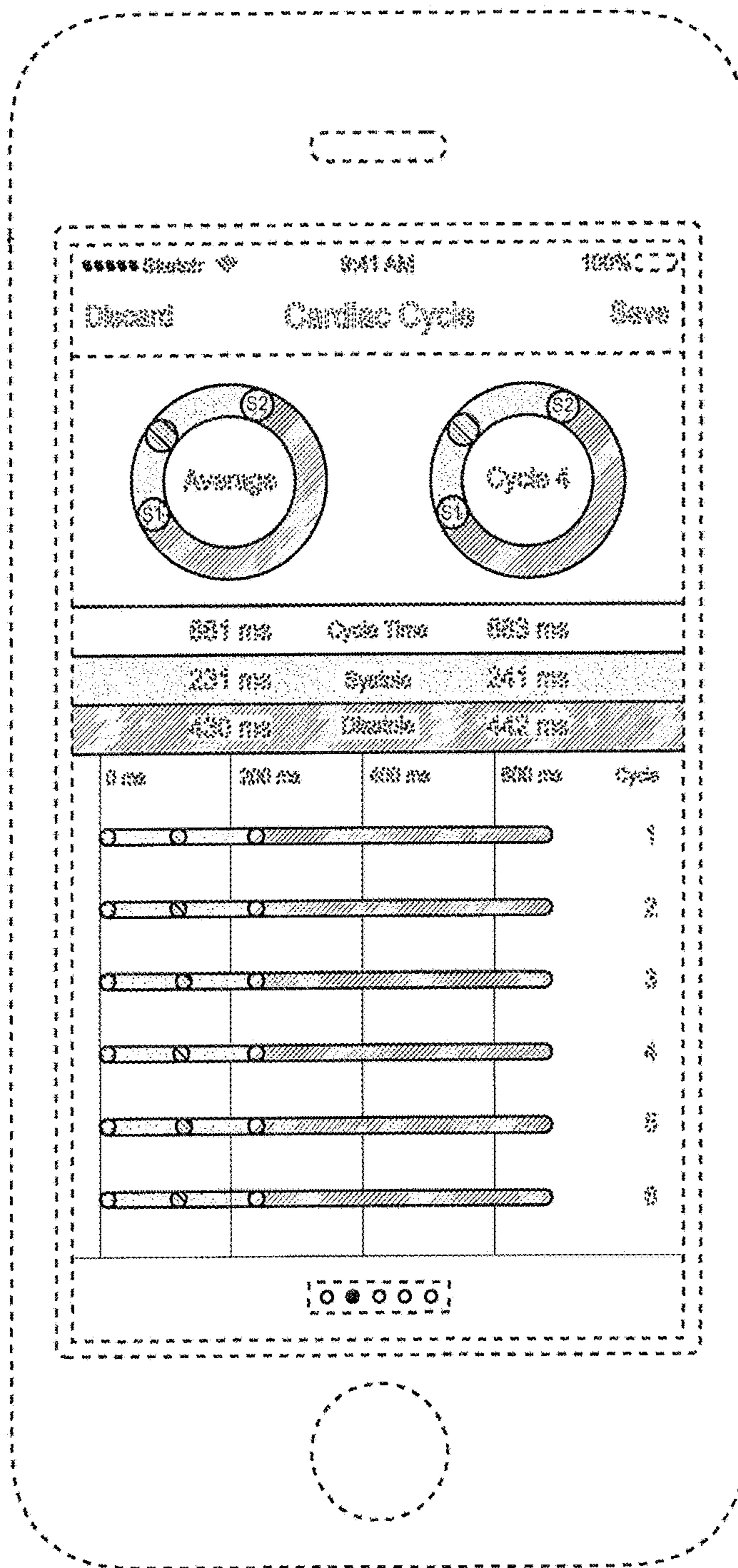


FIG. 5

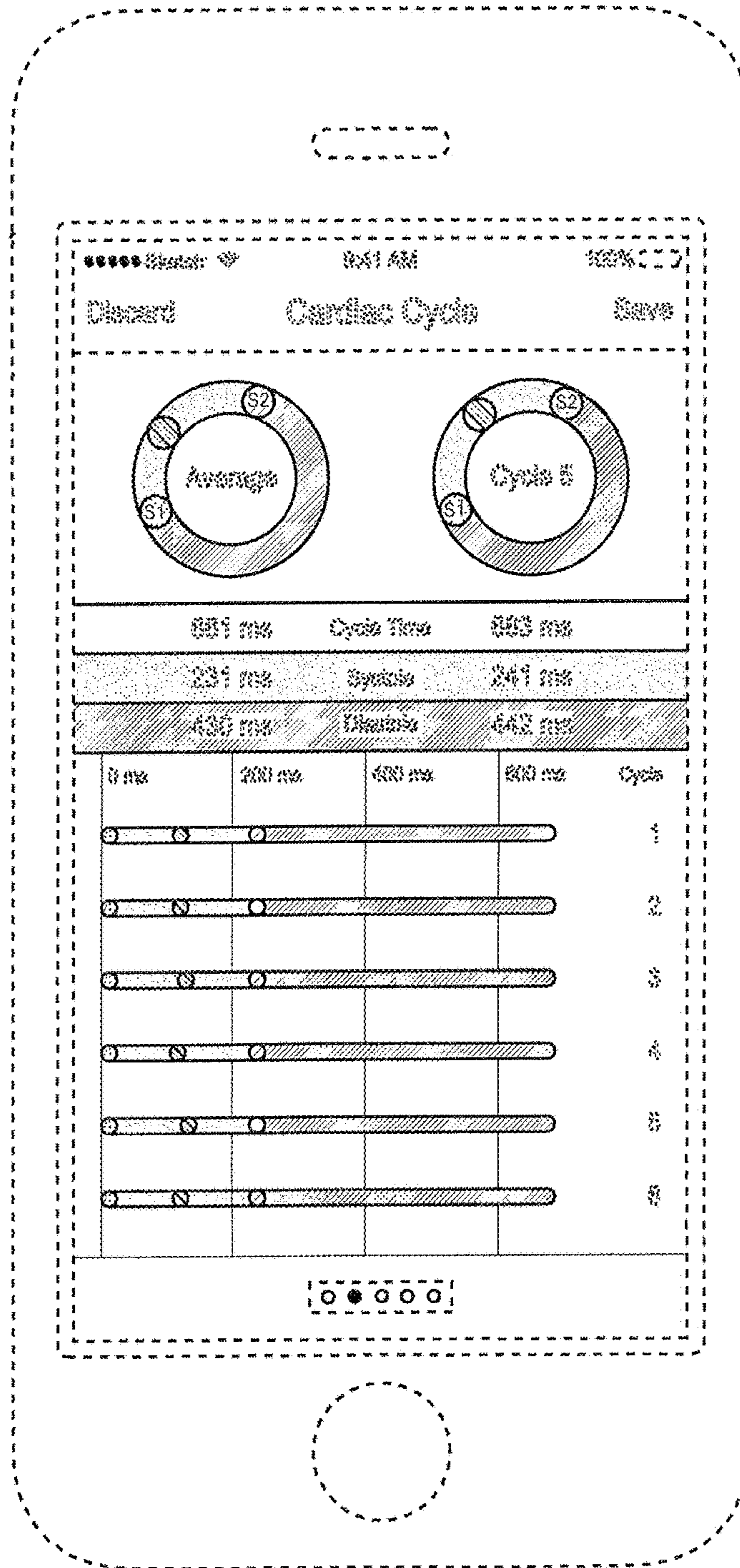


FIG. 6

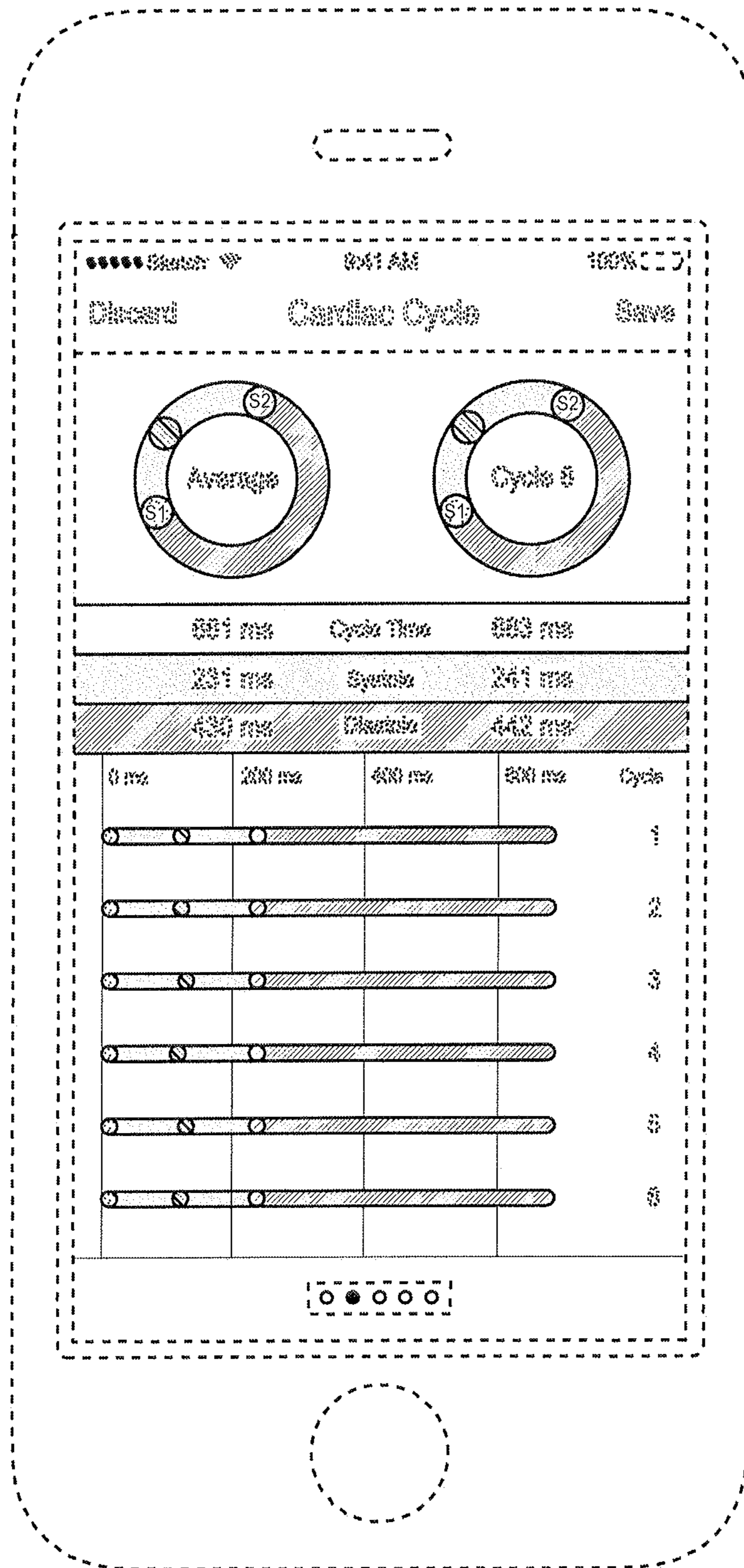


FIG. 7