



US00D860217S

(12) **United States Design Patent** (10) **Patent No.:** **US D860,217 S**
Khubani et al. (45) **Date of Patent:** **** Sep. 17, 2019**

(54) **MOBILE DEVICE MOUNT**
(71) Applicant: **DaVinci II CSJ, LLC**, Fairfield, NJ (US)

D749,080 S * 2/2016 Su D14/447
D824,913 S * 8/2018 Bidwell D14/447
D832,273 S * 10/2018 Burmester D14/447
(Continued)

(72) Inventors: **Ajit Khubani**, Saddle River, NJ (US);
Damian Mucaro, Hackensack, NJ (US)

FOREIGN PATENT DOCUMENTS

(73) Assignee: **DaVinci II CSJ, LLC**, Fairfield, NJ (US)

CN 301410442 12/2010
CN 302133833 10/2012
CN 302341289 3/2013
(Continued)

(**) Term: **15 Years**

OTHER PUBLICATIONS

(21) Appl. No.: **29/682,088**

Nite Ize Original Steelie Tabletop Stand—Additional Pedestal Stand for Steelie Magnetic Phone + Tablet Mounting Systems, found at <https://www.amazon.com/Nite-Ize-Original-Steelie-Tabletop/dp/B0142LUE4U>, accessed on Feb. 2, 2019.

(22) Filed: **Mar. 1, 2019**

(51) **LOC (12) Cl.** **08-07**

(52) **U.S. Cl.**
USPC **D14/447**

(58) **Field of Classification Search**
USPC D14/447, 432, 434, 439, 440, 451, 452, D14/457, 239, 250, 253, 203.7, 336, 337; D8/363, 373, 380; D6/406.3, 406.4, D6/406.5, 406.6; D12/415; D21/330, D21/331; D3/218
CPC A47B 21/04; A47B 2097/006; A47B 2097/005; A47B 2023/049; A45C 2011/002; A45C 2011/003; F16M 2200/00; F16M 13/00

See application file for complete search history.

(Continued)

Primary Examiner — Angela J Lee

(74) *Attorney, Agent, or Firm* — Cooper & Dunham LLP

(57) **CLAIM**

The ornamental design for a mobile device mount, as shown and described.

DESCRIPTION

FIG. 1 is a top perspective view of a mobile device mount in accordance with the present design; FIG. 2 is a bottom perspective view thereof; FIG. 3 is a back side view thereof; FIG. 4 is a front side view thereof; FIG. 5 is a right side view thereof; FIG. 6 is a left side view thereof; FIG. 7 is top view thereof; and, FIG. 8 is a bottom view thereof.

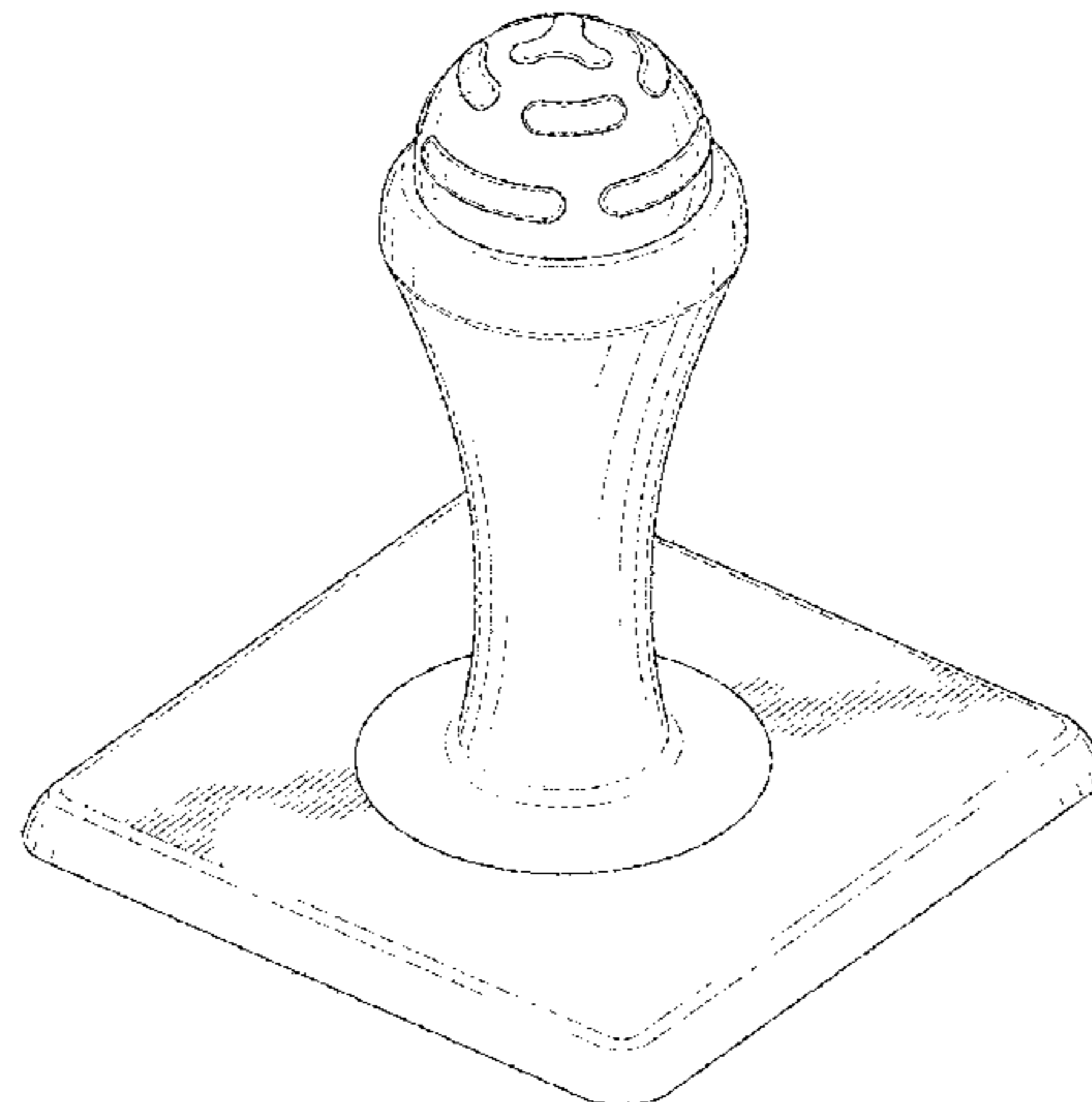
The broken lines are included for illustrative purposes only and form no part of the claimed design. The shading represents contour of the claimed design.

(56) **References Cited**

U.S. PATENT DOCUMENTS

D588,602 S * 3/2009 Chao D14/451
D629,405 S * 12/2010 Crysell D14/447
D696,673 S * 12/2013 Vogel D14/447
D696,674 S 12/2013 Vogel
8,602,376 B2 12/2013 Turner et al.
D702,244 S * 4/2014 Seo D14/451
D704,713 S * 5/2014 Liniger D14/447
D723,573 S * 3/2015 Padro D14/447

1 Claim, 8 Drawing Sheets



(56)

References Cited

U.S. PATENT DOCUMENTS

D833,449 S * 11/2018 Khubani D14/447
 2012/0305733 A1* 12/2012 Vogel F16M 11/14
 248/371

FOREIGN PATENT DOCUMENTS

CN 202889438 U 4/2013
 CN 302551518 8/2013
 CN 302594341 10/2013
 CN 302661341 11/2013
 CN 302753258 3/2014
 CN 302909821 8/2014
 CN 303596873 7/2015
 CN 303428875 11/2015
 CN 303467001 11/2015
 CN 303579345 2/2016
 CN 303596869 2/2016
 CN 303596871 2/2016
 CN 303596873 2/2016
 CN 303617949 3/2016
 CN 303635032 4/2016
 CN 303749590 7/2016
 CN 303775031 8/2016
 CN 303793208 8/2016
 CN 303793218 8/2016
 CN 303826325 8/2016
 CN 303863179 9/2016
 CN 205681499 U 11/2016
 CN 303912443 11/2016
 CN 303932613 11/2016
 CN 303932624 11/2016
 CN 303932630 11/2016
 CN 303932757 11/2016
 CN 303949390 11/2016
 CN 303949448 11/2016
 CN 205819090 U 12/2016
 CN 206686237 U 11/2017
 CN 304400555 12/2017
 CN 304438123 1/2018
 CN 304461671 1/2018
 CN 304477298 1/2018
 CN 207053593 U 2/2018
 CN 304494167 2/2018
 CN 304494202 2/2018
 CN 304572284 4/2018
 CN 304596816 4/2018
 CN 304624924 5/2018
 CN 304635291 5/2018
 CN 304678465 6/2018
 CN 304711329 7/2018
 CN 304732045 7/2018
 CN 304772529 8/2018
 CN 304788689 8/2018
 CN 304829814 9/2018
 CN 304913118 11/2018
 CN 304919604 11/2018
 CN 304919608 11/2018
 CN 304933754 12/2018
 EP 000569231-0001 9/2006

EP 002290049-0001 8/2013
 EP 002493759-0001 11/2014
 EP 002736652-0001 7/2015
 EP 002804278-0002 10/2015
 KR 300723176.0000 12/2013
 KR 300734102.0000 3/2014
 KR 300798659.0000 5/2015
 KR 300819981.0000 10/2015
 KR 300948674.0000 3/2018

OTHER PUBLICATIONS

Steele Industrial Strength Magnetic Car Dash Mount Ball for Phones, found at <https://www.gadgets4geeks.com.au/stealie-strong-magnetic-car-dashboard-mount-ball-for-moblie-phones>, accessed on Feb. 4, 2019.

Car Dashboard Holder Phone Stand Bracket for Suzuki Jimny The Kizashi Grand Vitara SX4 VITARA Works Baleno Celerio Accessories, found at <https://www.aliexpress.com/item/Car-Dashboard-Holder-Phone-Stand-Bracket-for-Suzuki-Jimny-The-Kizashi-Grand-Vitara-SX4-VITARA-Works/32822330988.html>, accessed on Feb. 4, 2019.

Remax RM-C09 Car Phone Stand Holder, found at <https://www.imediastores.com/product/remax-rm-c09-car-phone-stand-holder/>, accessed on Feb. 4, 2019.

Vehicle Mobile Phone Holder Car Stents GPS Navigation Stand(Black) found at <https://www.newfrog.com/product/vehicle-mobile-phone-holder-car-stents-gps-navigation-standblack-170112.01>, accessed on Feb. 4, 2019.

Rock RPH0832 Car Magnetic Phone Holder Stand 360 Degree Rotatable Car Center Console Mounted Phone Bracket-silver, found at <http://www.geekbuying.com/item/Rock-RPH0832-Car-Magnetic-Phone-Holder-360-Degree-Rotatable-387590.html>, accessed on Feb. 4, 2019.

Nite Ize Original Stealie HobKnob for Smartphones—Additional HobKnob Handle and Stand for Stealie Magnetic Phone Holding System, found at https://www.amazon.com/Nite-Ize-Original-Stealie-Smartphones/dp/B0142LUIM2/ref=pd_sim_107_6?encoding=UTF8&pd_rd_i=B0142LUIM2&pd_rd_r=714b54-26b9-11e9-be65-17f4f8daa818&pd_rd_r=1ASW7G5QBGKV6SXAS7G&pvc=1&refRID=1A8SW8G5QBGKV6SXAS7G, accessed on Feb. 4, 2019.

Xiaomi ROIDMI Car Holder Magnetic Air Outlet Mount Bracket Phone Holder Stand, found at <https://www.ebay.com/itm/Xiaomi-ROIDMI-Car-Holder-Magnetic-Air-Outlet-Mount-Bracket-Phone-Holder-Stand-/222544615735>, accessed on Feb. 4, 2019.

Xmxczkj Car Magnetic Holder Magnet Phone Stand 360 Degree Retation Mobile Phone Holder Magnet Stand For Smart Phone Gps Holder, found at <https://www.solidrop.net/product/xmxczkj-car-magnetic-holder-magnet-phone-stand-360-degree-retation-mobile-phone-holder-magnet-stand-for-smart-phone-gps-holder.html>, accessed on Feb. 4, 2019.

Vehicle-mounted Car Magnetic Phone Holder Stand 360 Degrees Rotation for Ipad All Brand Phones, found at <http://www.teknistore.com/en/mount-and-holders/25149-vehicle-mounted-car-magnetic-phone-holder-stand-360-degrees-rotation-for-ipad-all-brand-phones.html?moblie-theme-ok>, accessed on Feb. 4, 2019.

* cited by examiner

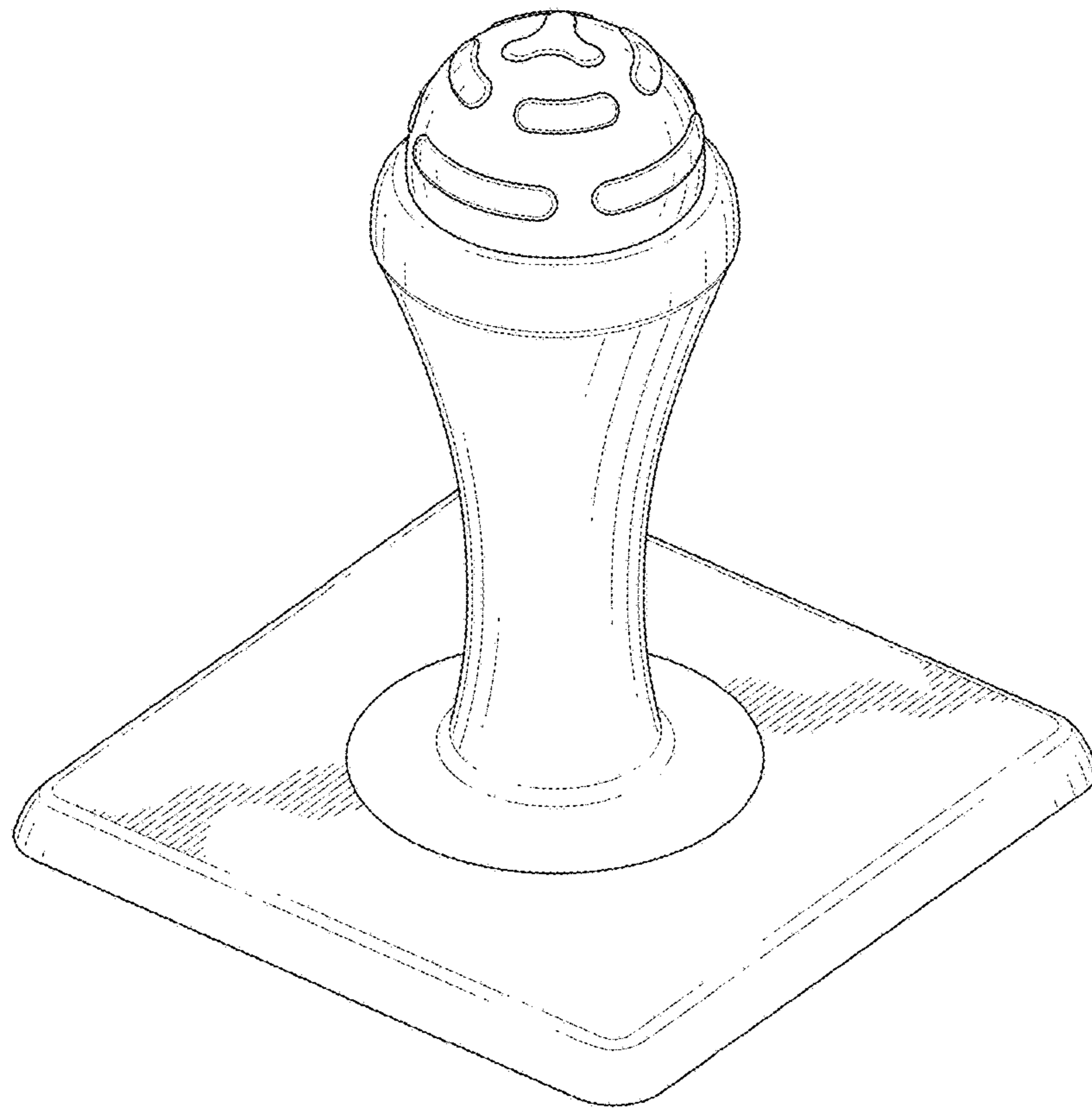


FIG. 1

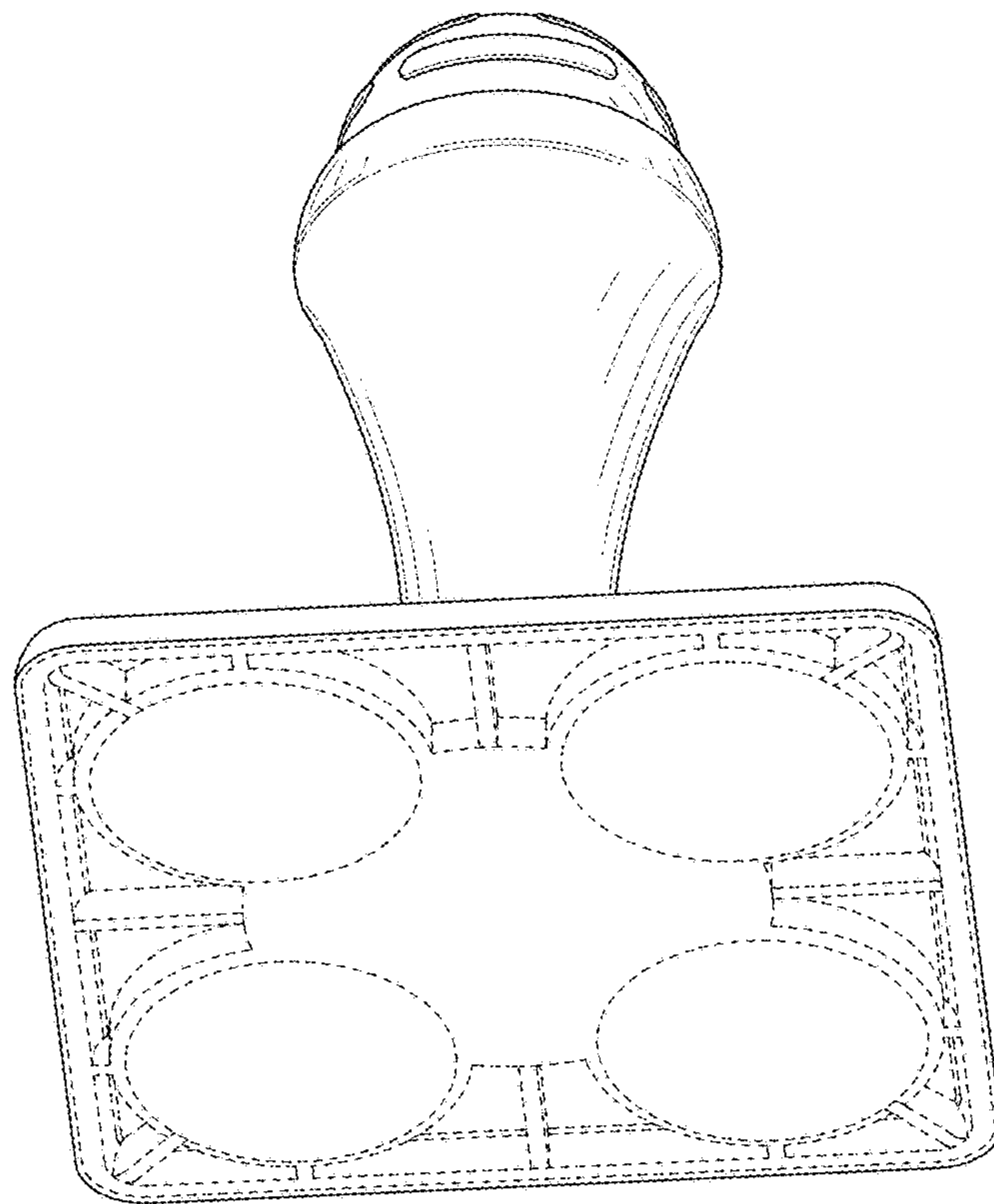


FIG.2

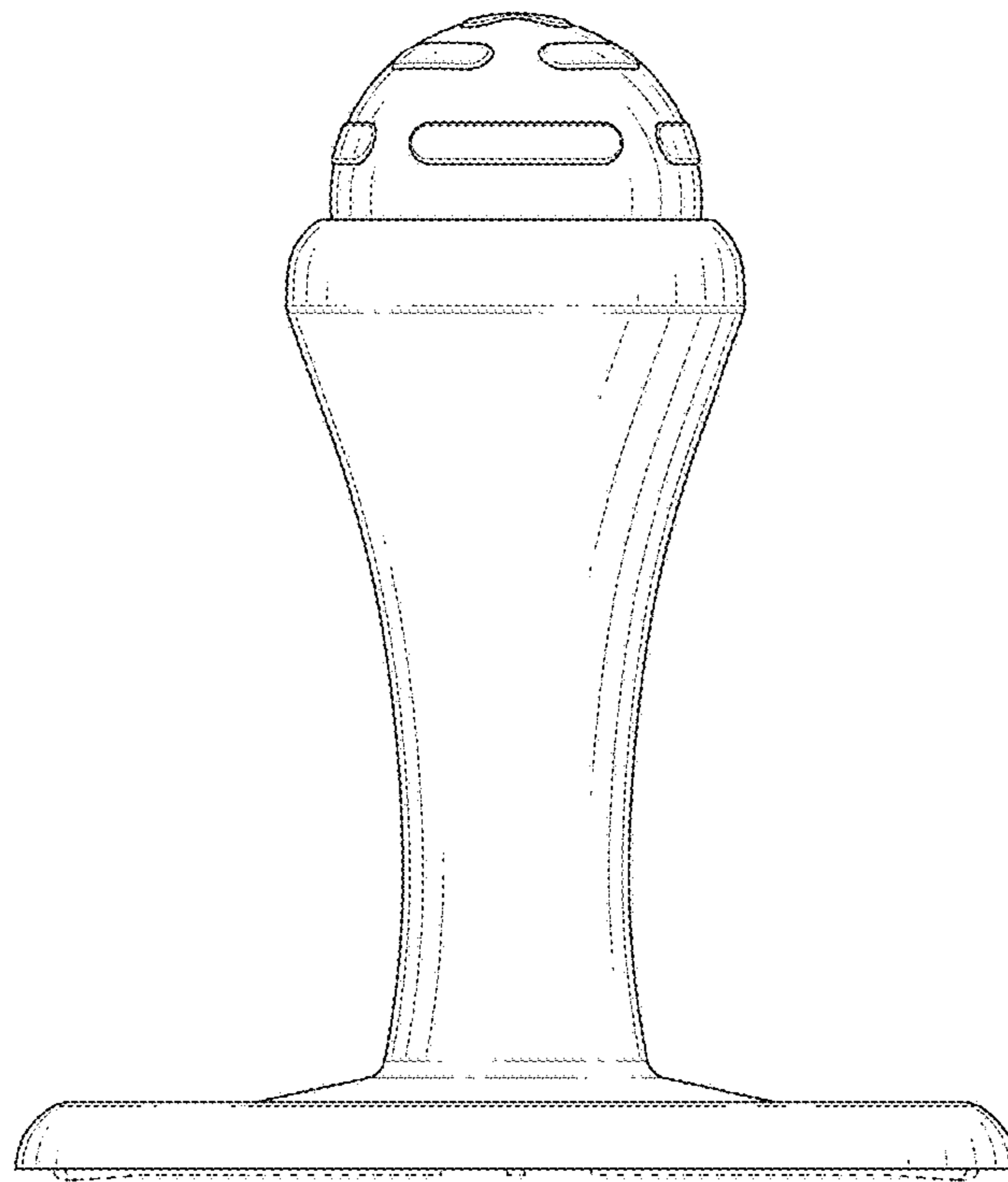


FIG.3

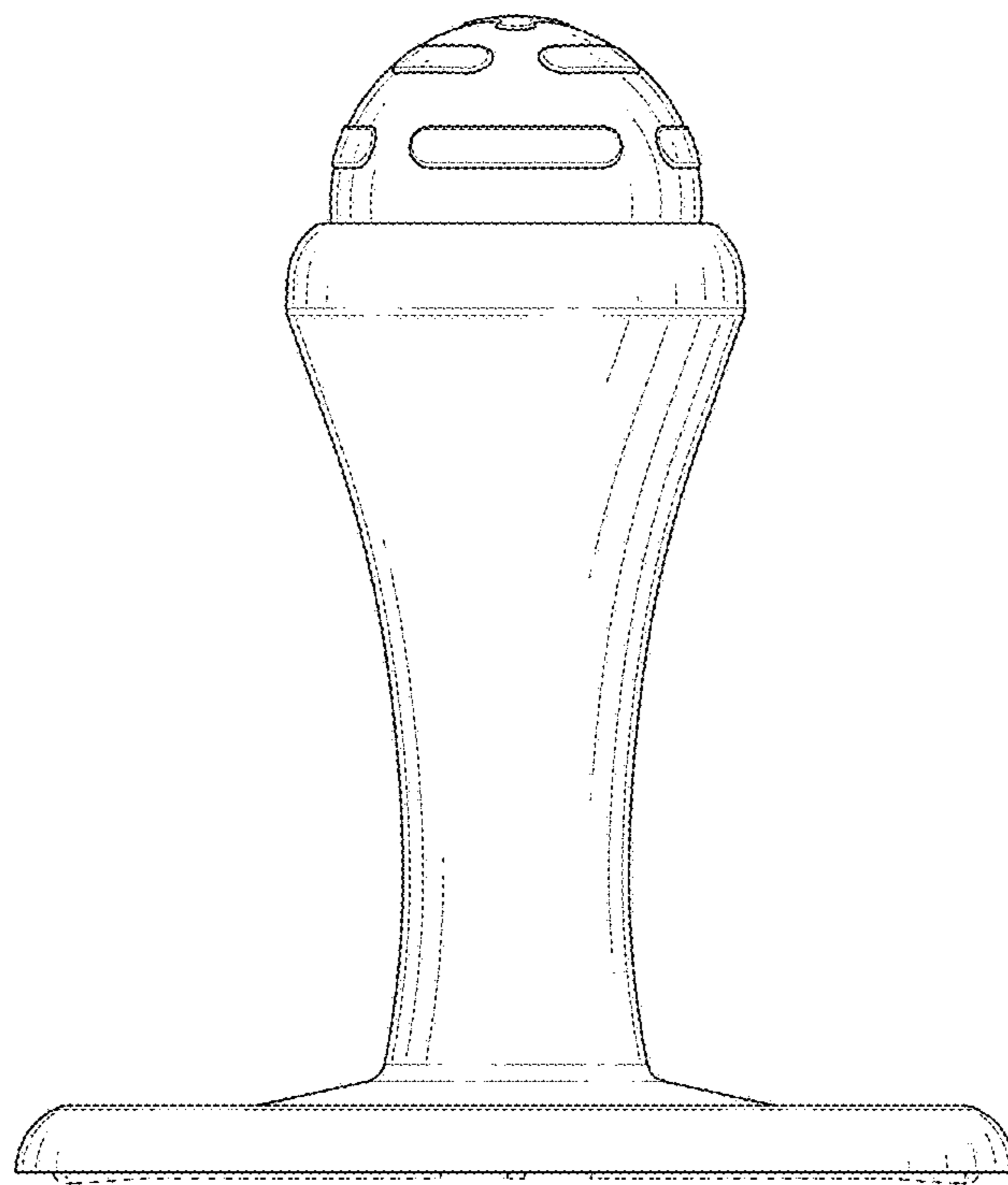


FIG.4

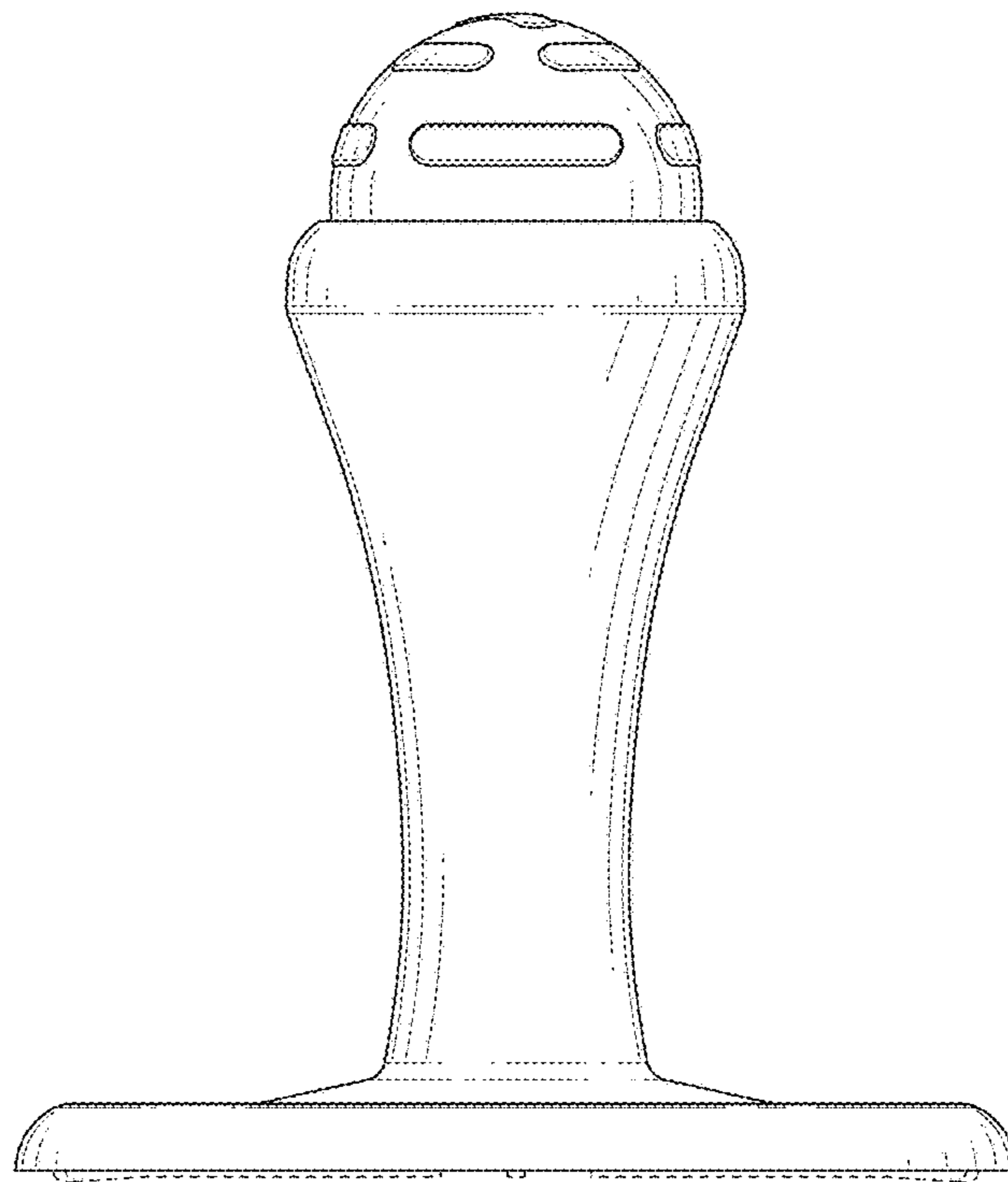


FIG.5

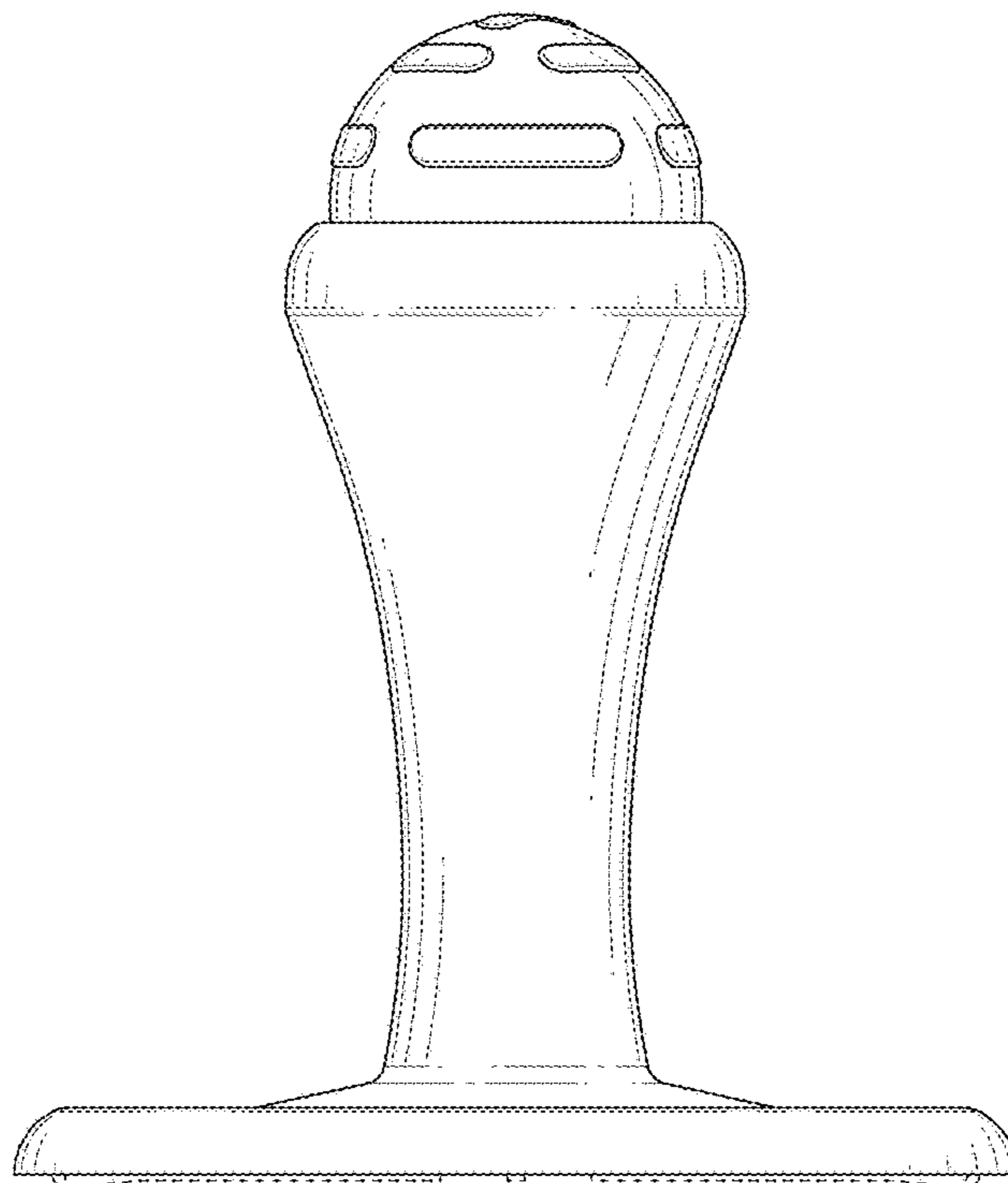


FIG.6

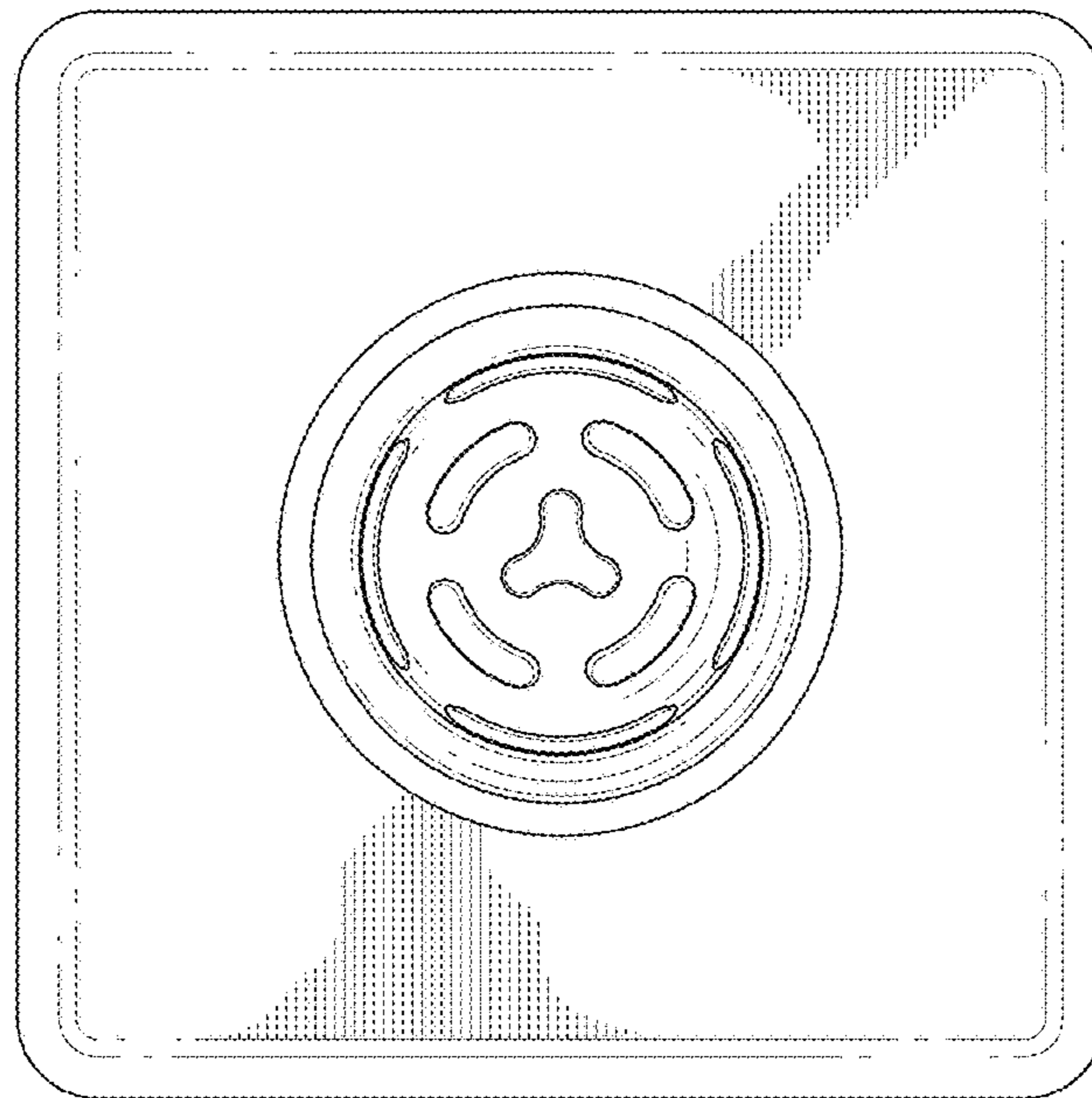


FIG. 7

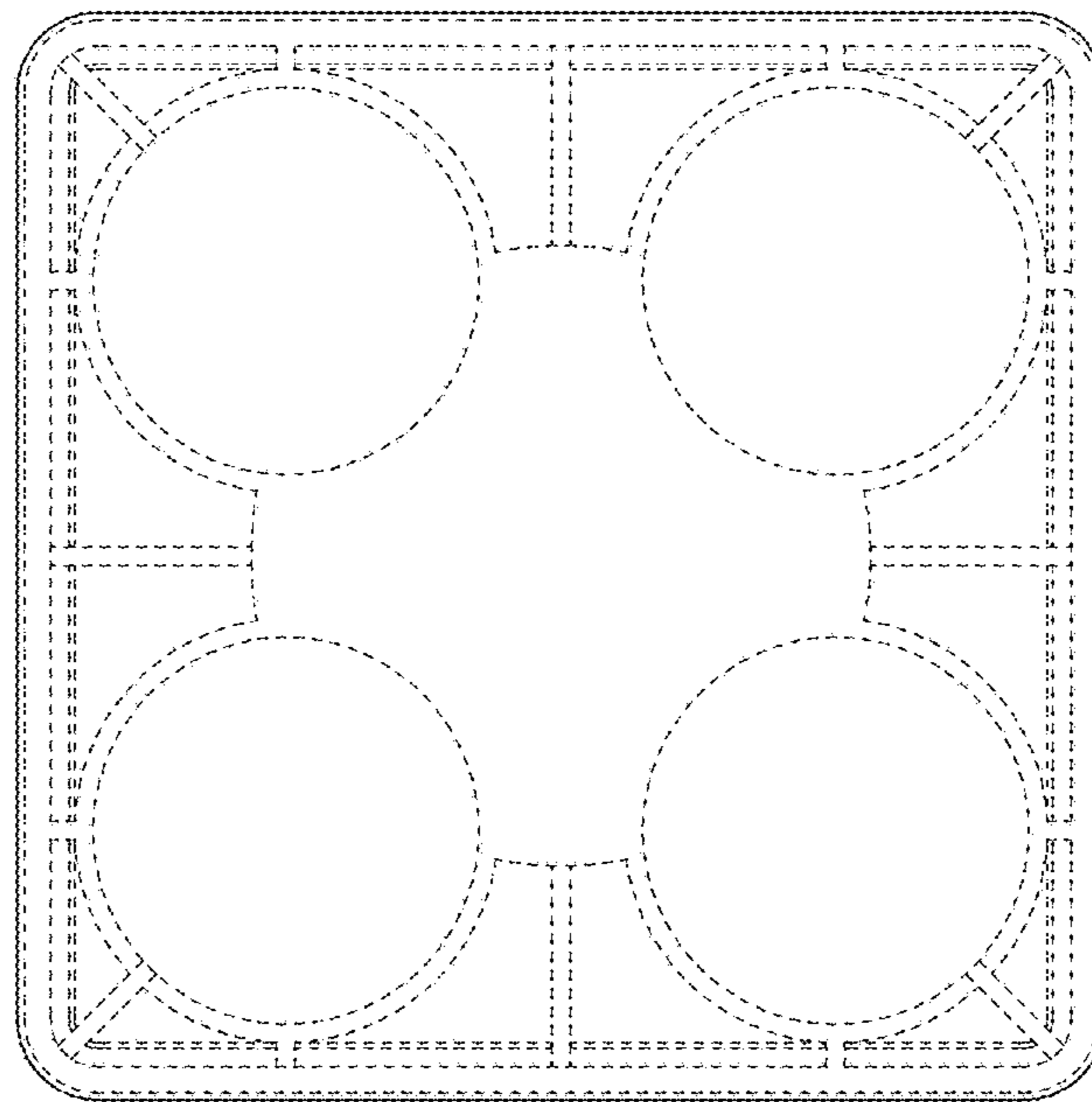


FIG. 8