



US00D860216S

(12) **United States Design Patent**  
**Olander**

(10) **Patent No.:** **US D860,216 S**

(45) **Date of Patent:** **\*\* Sep. 17, 2019**

(54) **STAND FOR SUPPORTING A COMPUTING DEVICE**

(71) Applicant: **James D. Olander**, Denver, CO (US)

(72) Inventor: **James D. Olander**, Denver, CO (US)

(\*\*) Term: **15 Years**

(21) Appl. No.: **29/670,106**

(22) Filed: **Nov. 13, 2018**

**Related U.S. Application Data**

(60) Division of application No. 29/626,806, filed on Nov. 20, 2017, now Pat. No. Des. 838,724, which is a continuation of application No. 15/143,276, filed on Apr. 29, 2016, now Pat. No. 9,894,988.

(51) **LOC (12) Cl.** ..... **08-07**

(52) **U.S. Cl.**  
USPC ..... **D14/447**

(58) **Field of Classification Search**

USPC ..... D14/447, 432, 434, 439, 440, 451, 452, D14/457, 239, 250, 253, 203.7, 336, 337; D8/363, 373, 380; D6/406.3, 406.4, D6/406.5, 406.6; D12/415; D21/330, D21/331; D3/218

CPC ..... A47B 21/04; A47B 2097/006; A47B 2097/005; A47B 2023/049; A45C 2011/002; A45C 2011/003; F16M 2200/00; F16M 13/00

See application file for complete search history.

(56) **References Cited**

**U.S. PATENT DOCUMENTS**

1,840,620 A 1/1932 Dennis  
2,373,617 A 4/1945 Tiryakian  
3,991,967 A 11/1976 Sack  
5,149,046 A 9/1992 Kerley et al.  
5,492,299 A 2/1996 Thermos et al.

5,651,525 A 7/1997 Yang  
5,797,578 A 8/1998 Graffeo et al.  
5,833,178 A 11/1998 Plasse et al.  
5,845,889 A 12/1998 Suzuki  
6,676,100 B2 1/2004 Hsu  
D562,572 S \* 2/2008 Nothel ..... D6/310  
D634,311 S \* 3/2011 Stifal ..... D14/239

(Continued)

*Primary Examiner* — Angela J Lee

(74) *Attorney, Agent, or Firm* — Grumbles Law PLLC; Brittany Nanzig

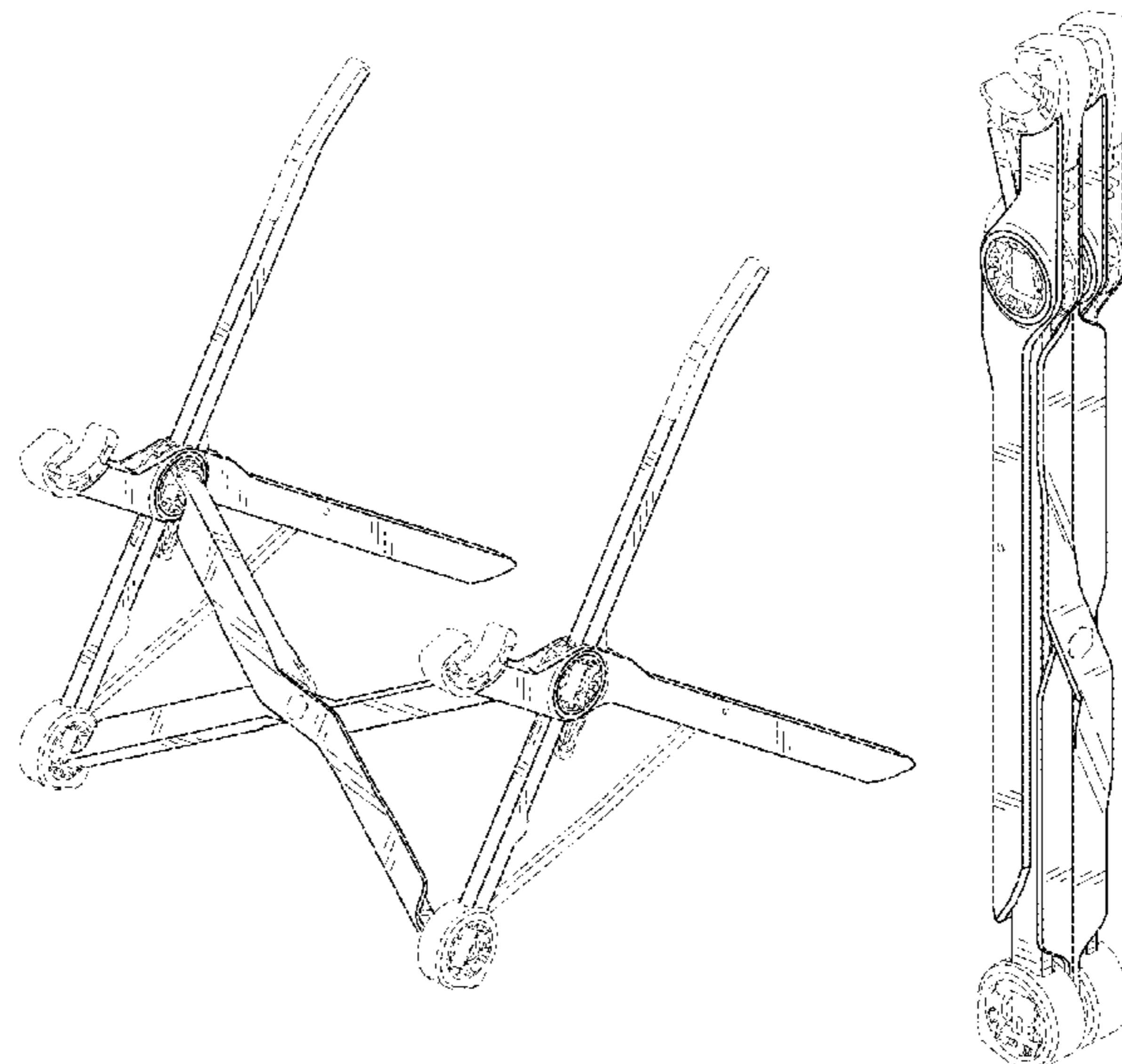
(57) **CLAIM**

I claim the ornamental design for a stand for supporting a computing device, as shown and described.

**DESCRIPTION**

FIG. 1 is a top front isometric view of a stand for supporting a computing device in accordance with the present design. FIG. 2 is a top rear isometric view thereof. FIG. 3 is a front elevation view thereof. FIG. 4 is a rear elevation view thereof. FIG. 5 is a right side elevation view thereof. FIG. 6 is a left side elevation view thereof. FIG. 7 is a top plan view thereof. FIG. 8 is a bottom plan view thereof. FIG. 9 is a top front isometric view of the stand for supporting a computing device of FIG. 1 in an alternate, collapsed position in accordance with the present design. FIG. 10 is a front elevation view thereof. FIG. 11 is a rear elevation view thereof. FIG. 12 is a left side elevation view thereof. FIG. 13 is a right side elevation view thereof. FIG. 14 is a top plan view thereof; and, FIG. 15 is a bottom plan view thereof. The broken lines illustrate portions of the stand for supporting a computing device that form no part of the claimed design.

**1 Claim, 11 Drawing Sheets**



(56)

References Cited

U.S. PATENT DOCUMENTS

8,020,818 B2	9/2011	Chou et al.	
D668,256 S *	10/2012	Matteo .....	D14/447
D669,482 S *	10/2012	Hu .....	D14/447
D672,782 S *	12/2012	Gross .....	D14/447
D677,262 S	3/2013	Lewis	
D689,500 S	9/2013	Faulk	
8,534,619 B2	9/2013	Du et al.	
D694,761 S	12/2013	Zoll	
D696,261 S	12/2013	Weldon	
D701,212 S	3/2014	Blevins	
8,708,298 B2	4/2014	Hu et al.	
D704,195 S	5/2014	Marquette	
D704,714 S	5/2014	Christiano	
D714,281 S *	9/2014	Reznik .....	D14/251
8,899,543 B2	12/2014	Liang et al.	
9,104,372 B2	8/2015	Frenzel	
9,211,001 B2	12/2015	Negretti	
D750,088 S *	2/2016	Reznik .....	D14/447
D757,019 S	5/2016	Pitteri	
D764,478 S	8/2016	Radmard	
D770,460 S	11/2016	Won et al.	
9,482,383 B1	11/2016	Wei	
D783,628 S	4/2017	Pitteri	
D792,417 S *	7/2017	Xiang .....	D14/447
D827,652 S *	9/2018	Jacques .....	D14/447
D829,216 S *	9/2018	Belitz .....	D14/447
10,070,719 B2	9/2018	Olander	
10,098,452 B2	10/2018	Ko	
D832,726 S *	11/2018	Kim .....	D10/103
2005/0103969 A1	5/2005	Gaines	
2006/0108494 A1	5/2006	Lancet	
2009/0179132 A1	7/2009	Qin et al.	
2010/0213330 A1	8/2010	Downing	
2011/0226916 A1	9/2011	Leung et al.	
2012/0145835 A1	6/2012	Zaharakis et al.	
2012/0210912 A1	8/2012	Florendo	
2013/0001379 A1	1/2013	Hobbs	
2013/0048801 A1	2/2013	Weinberg	
2013/0277529 A1	10/2013	Bolliger	
2014/0110556 A1	4/2014	Mao	
2014/0124631 A1	5/2014	Olander	
2016/0138753 A1	5/2016	Crossland	
2018/0125229 A1	5/2018	Olander	
2018/0192770 A1	7/2018	Lu	
2018/0252353 A1	9/2018	Hou	

\* cited by examiner

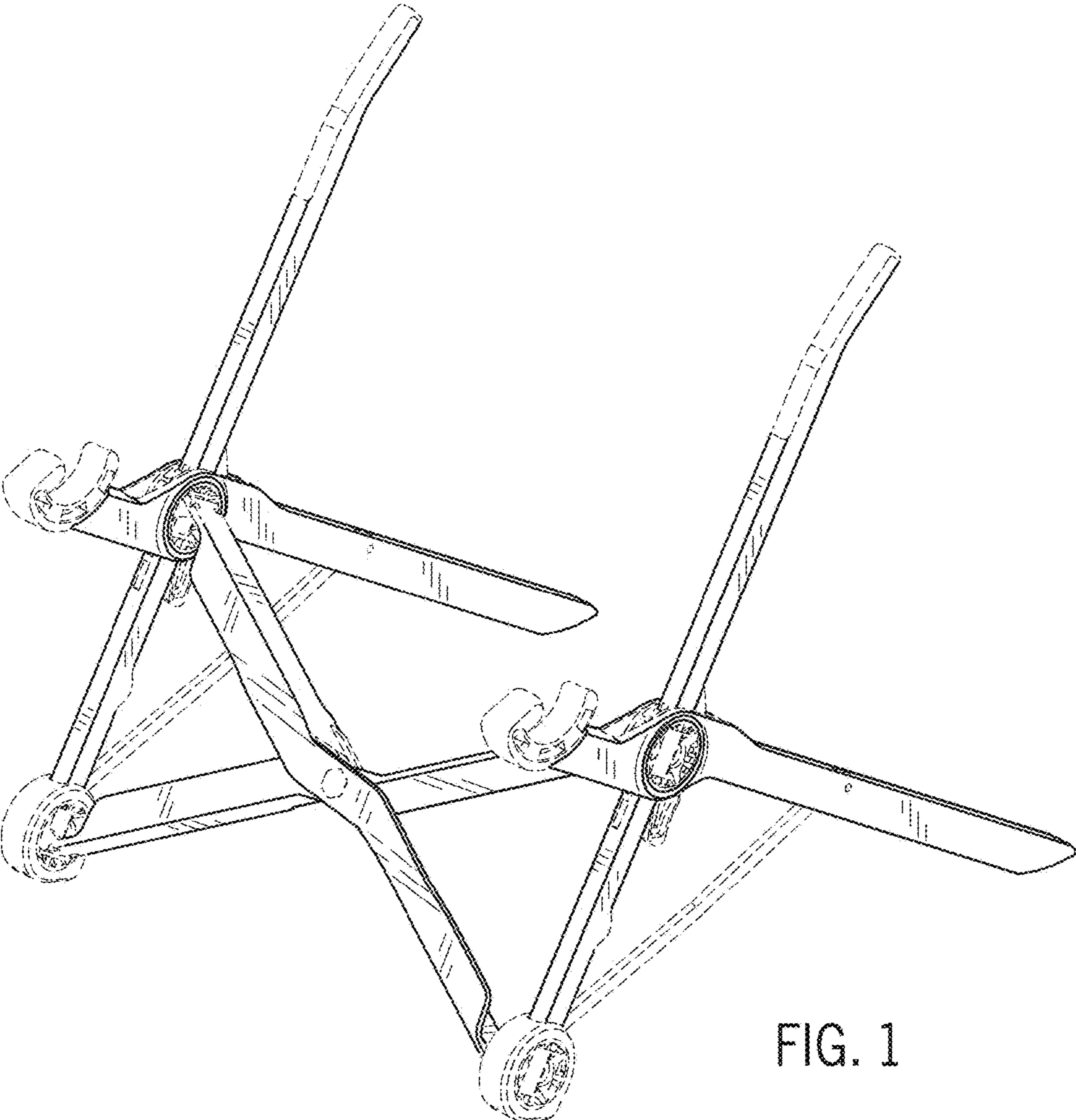


FIG. 1



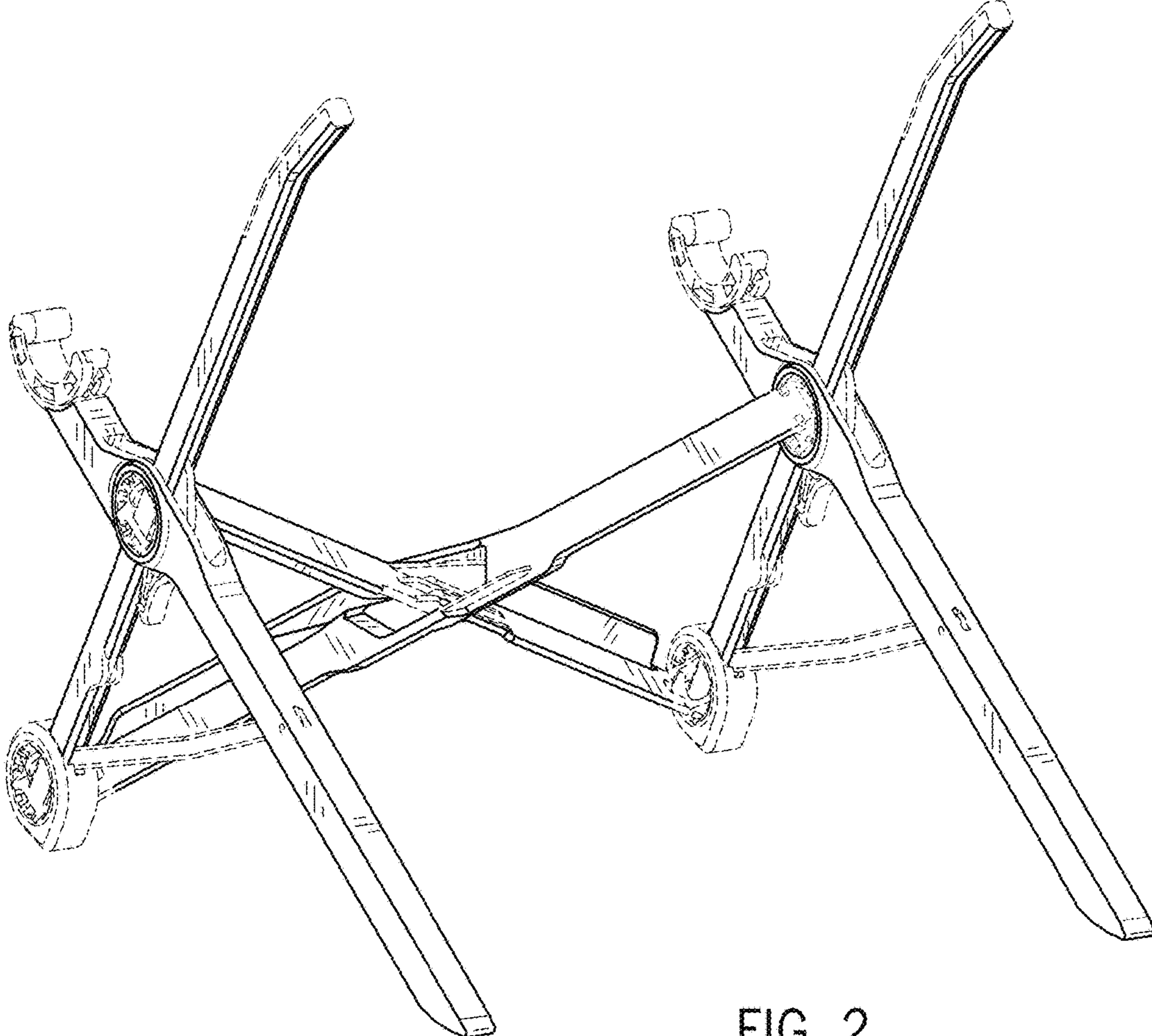


FIG. 2

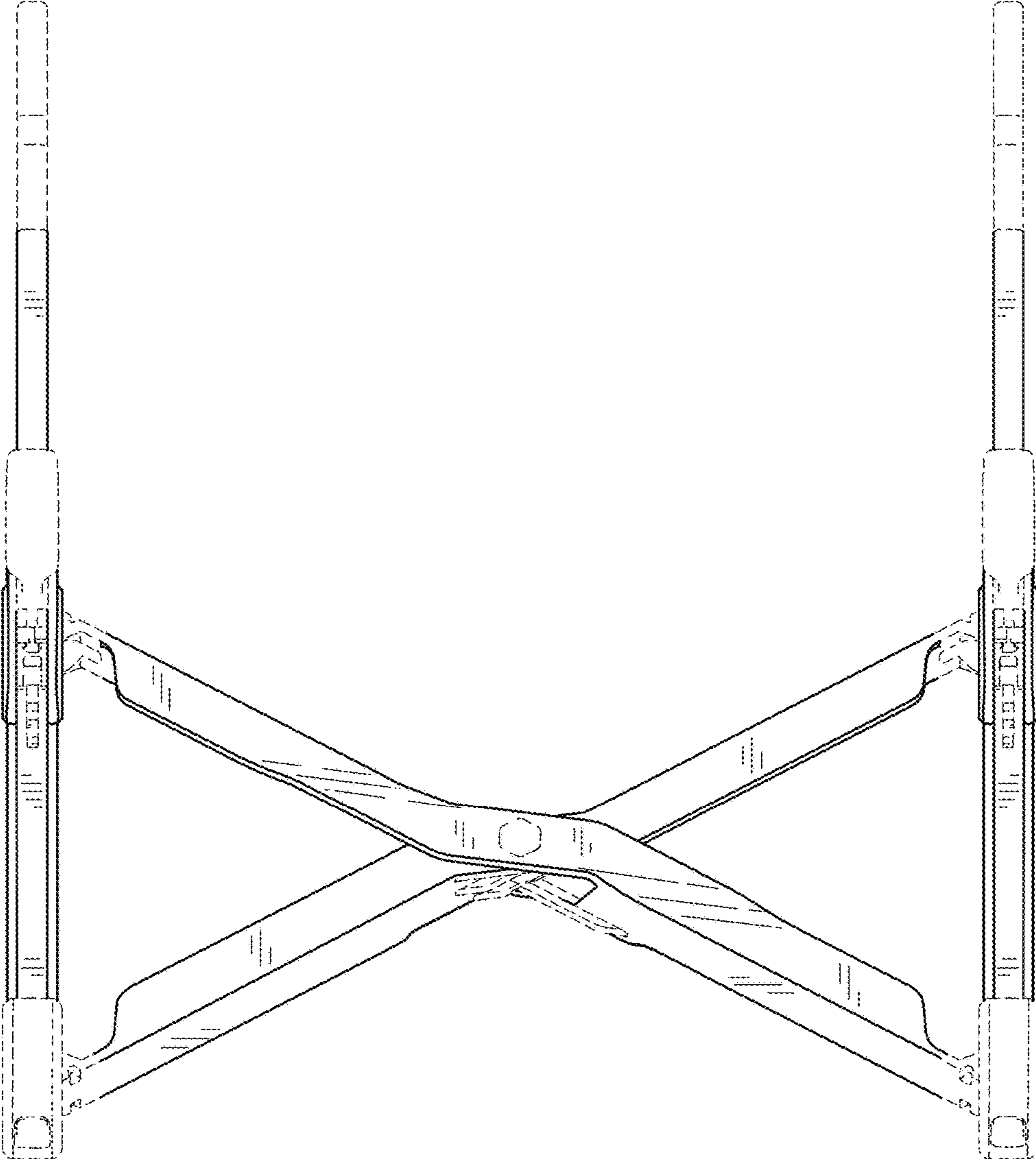


FIG. 3

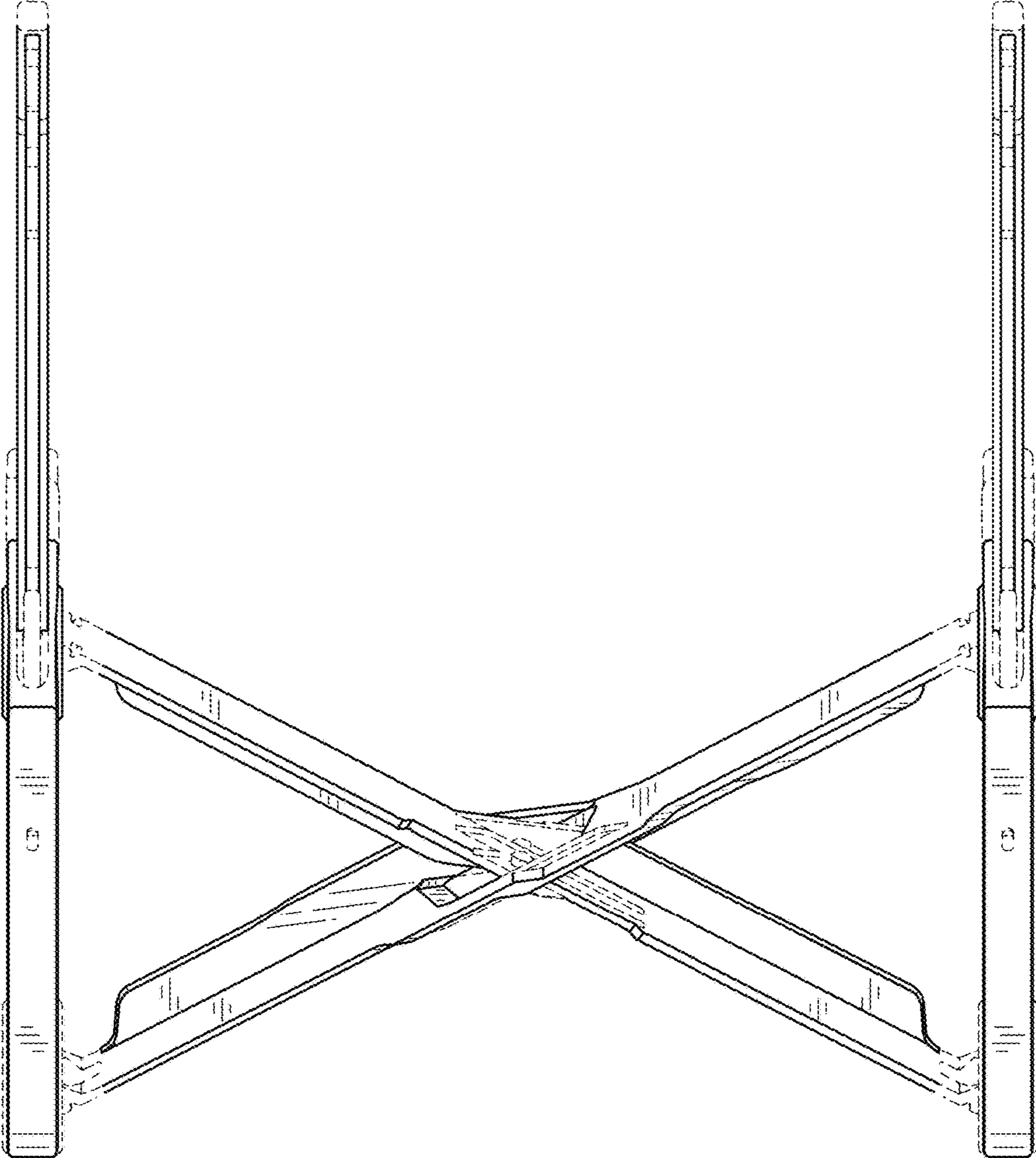


FIG. 4

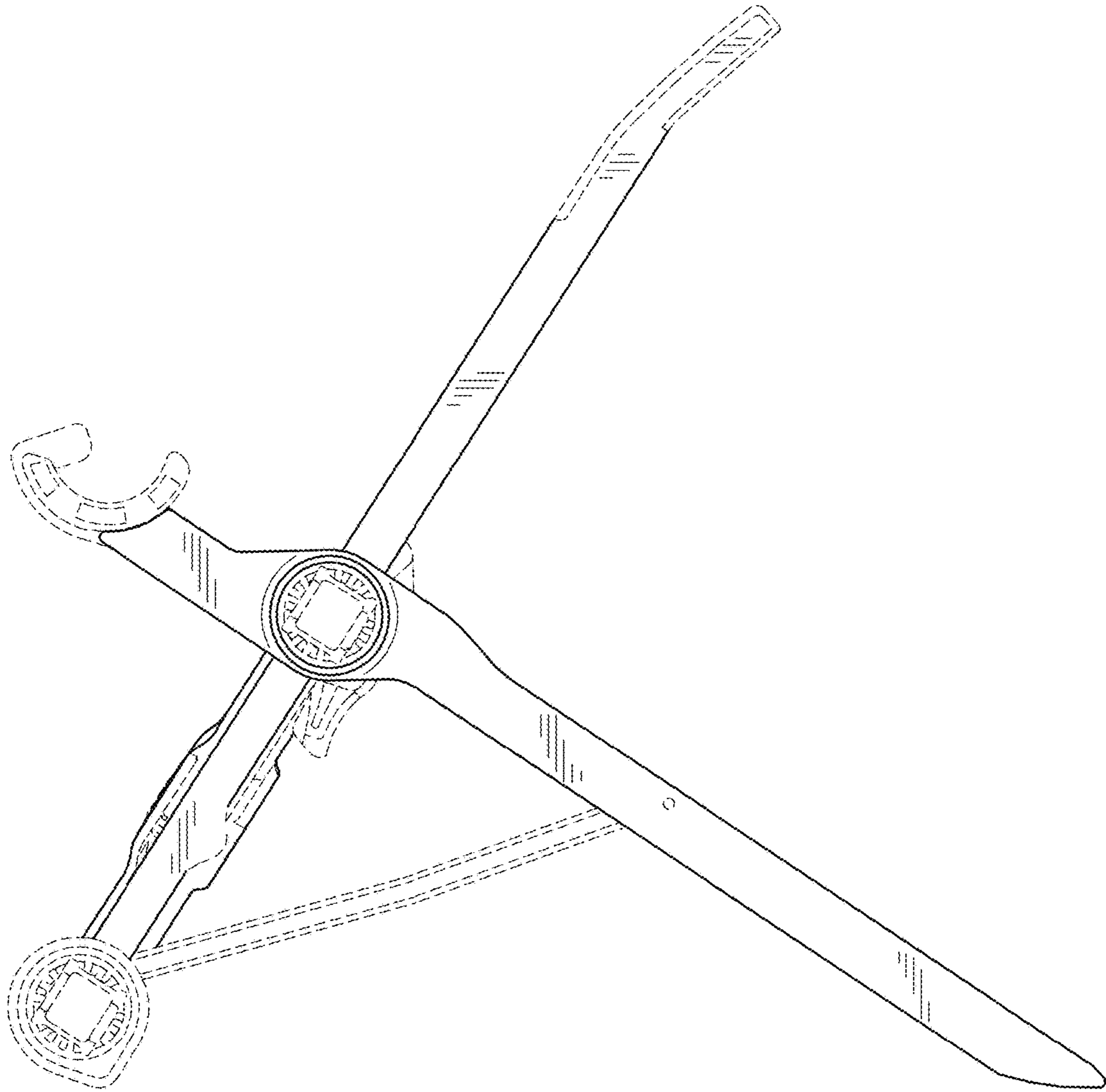


FIG. 5

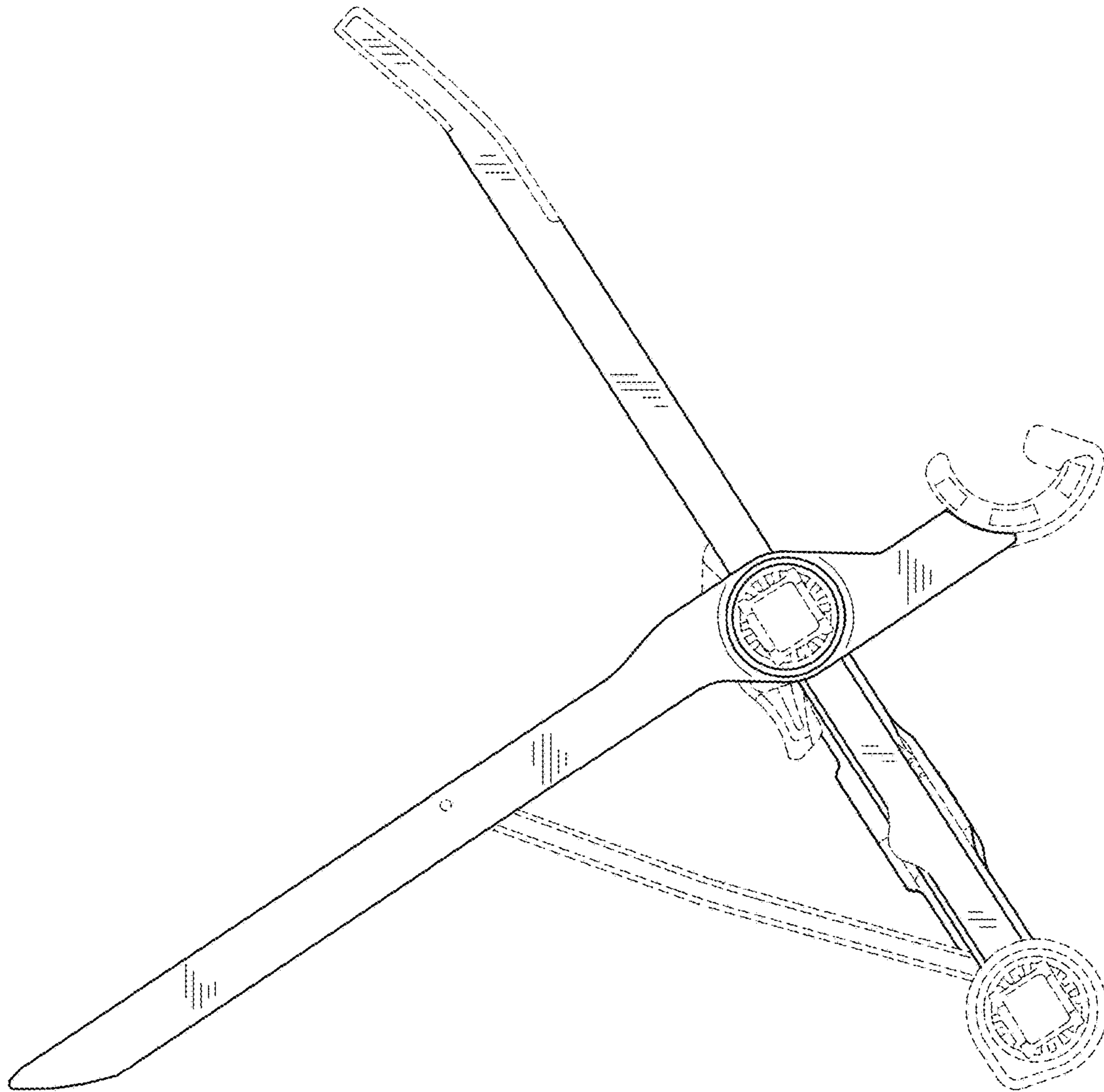


FIG. 6



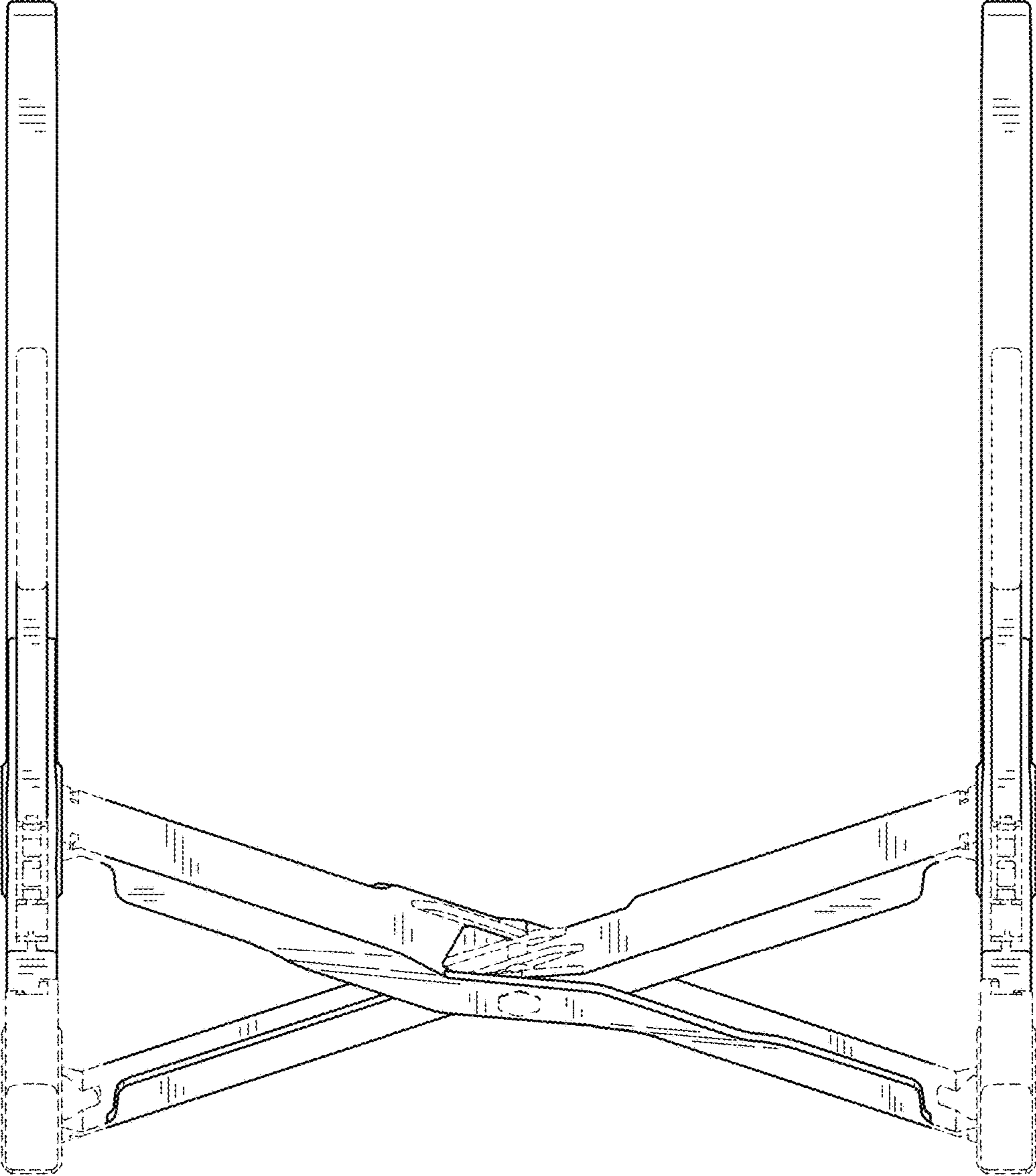


FIG. 7

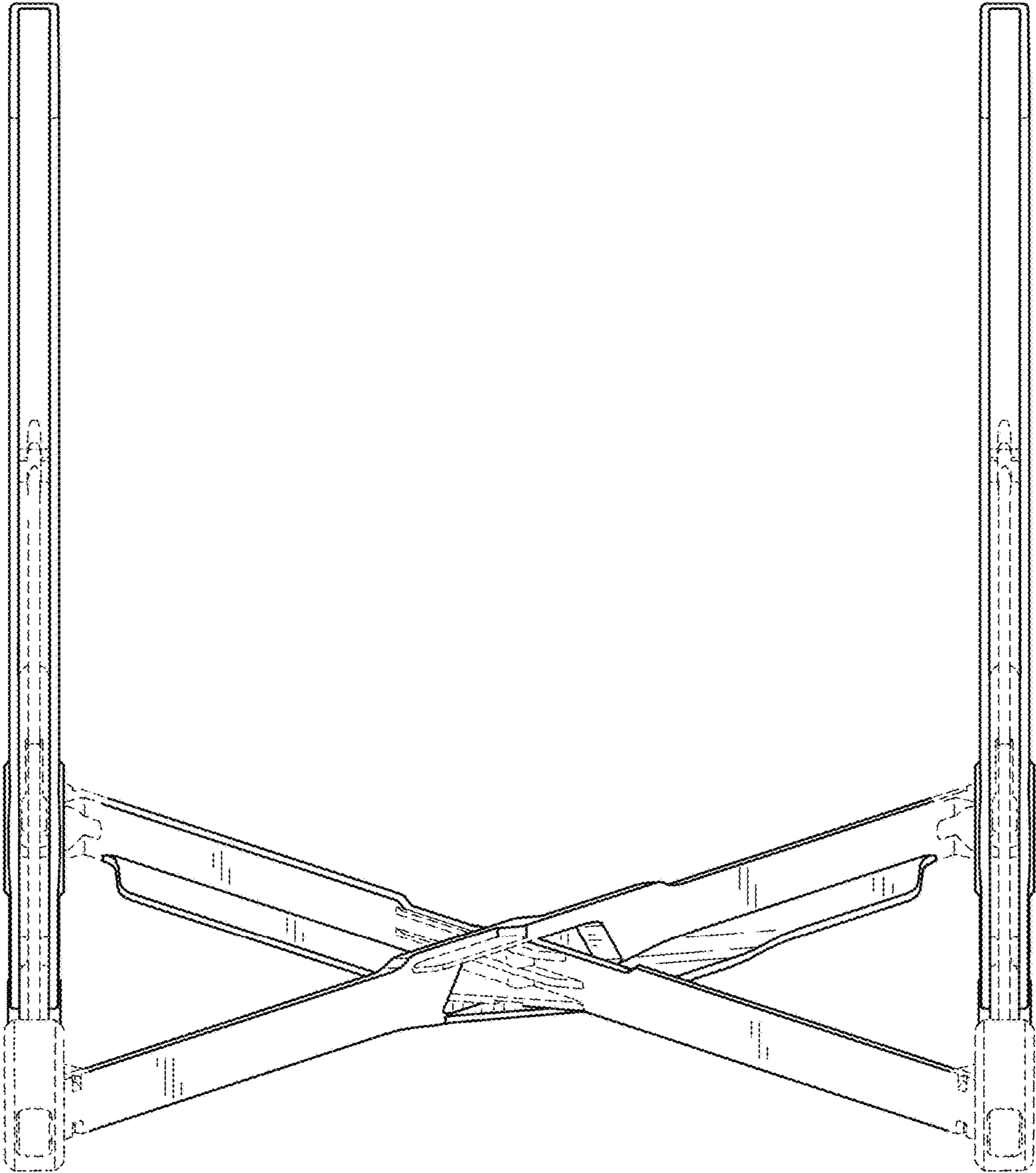


FIG. 8

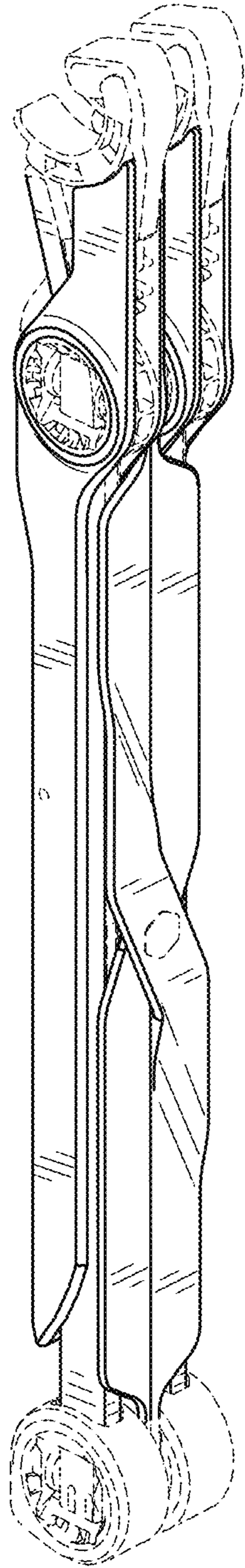


FIG. 9

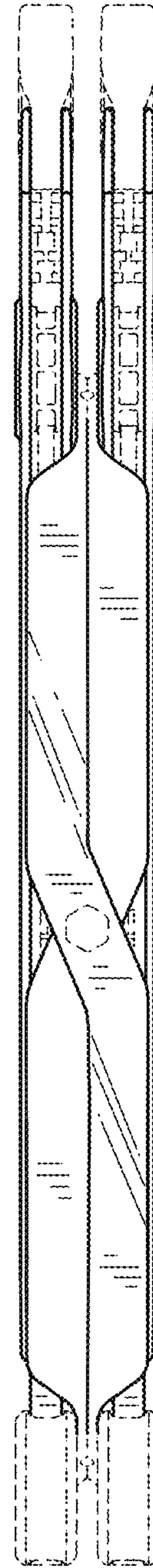


FIG. 10

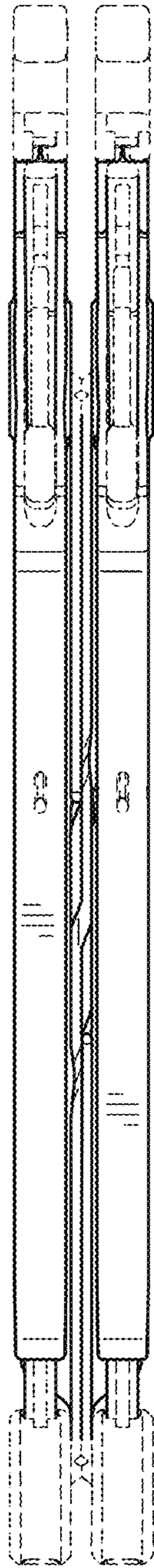


FIG. 11

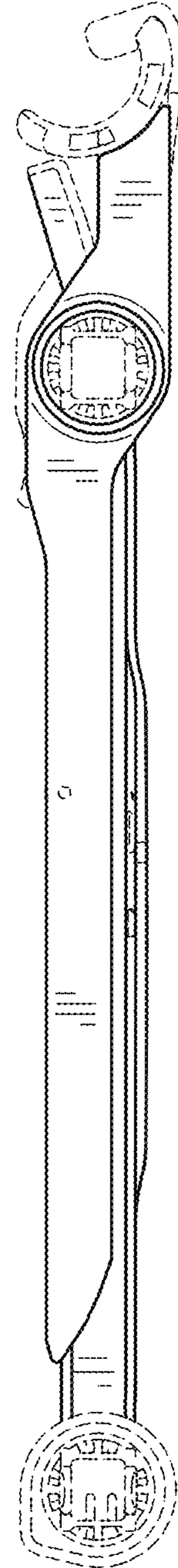


FIG. 12



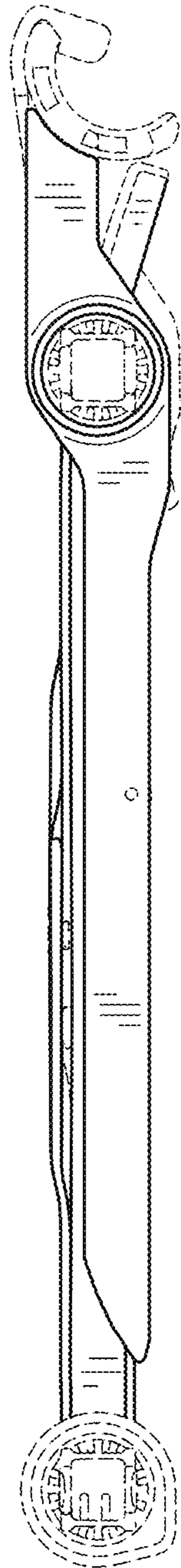


FIG. 13

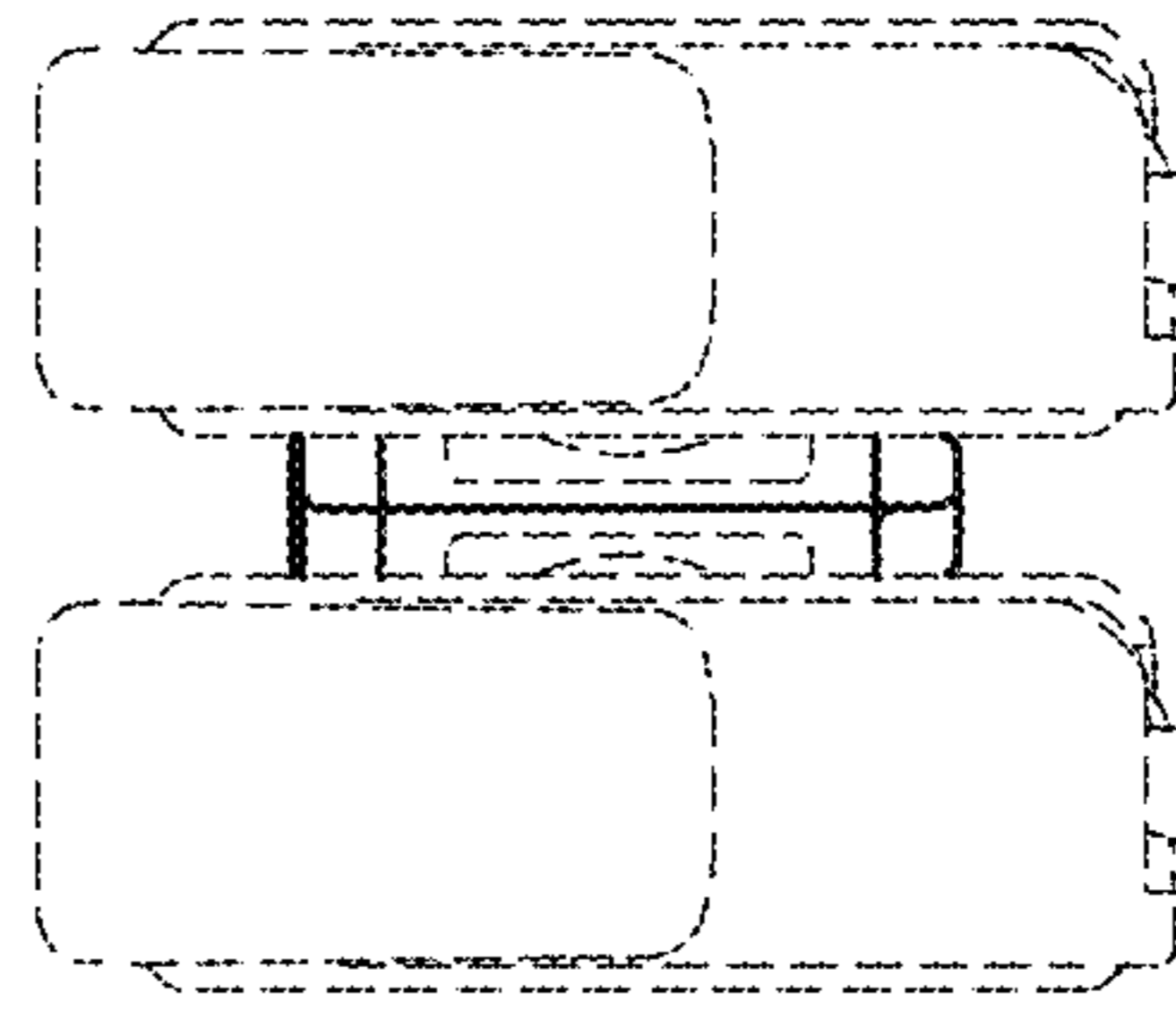


FIG. 14

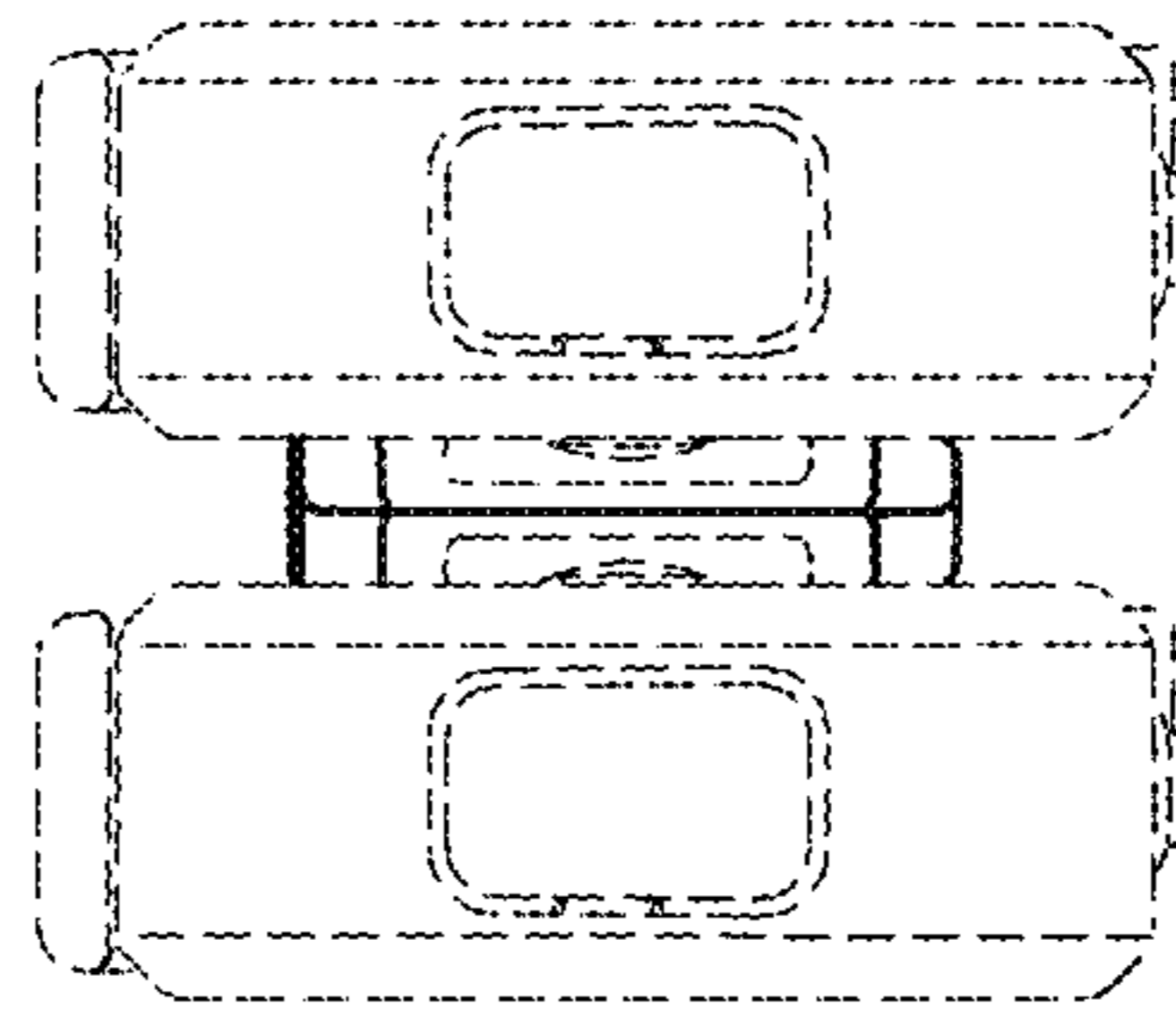


FIG. 15