

US00D860215S

(12) **United States Design Patent** (10) **Patent No.:** **US D860,215 S**
Olander (45) **Date of Patent:** **** Sep. 17, 2019**

(54) **STAND FOR SUPPORTING A COMPUTING DEVICE**

(71) Applicant: **James D. Olander**, Denver, CO (US)

(72) Inventor: **James D. Olander**, Denver, CO (US)

(**) Term: **15 Years**

(21) Appl. No.: **29/670,105**

(22) Filed: **Nov. 13, 2018**

Related U.S. Application Data

(60) Division of application No. 29/626,806, filed on Nov. 20, 2017, now Pat. No. Des. 838,724, which is a continuation of application No. 15/143,276, filed on Apr. 29, 2016, now Pat. No. 9,894,988.

(51) **LOC (12) Cl.** **08-07**

(52) **U.S. Cl.**
USPC **D14/447**

(58) **Field of Classification Search**
USPC D14/447, 432, 434, 439, 440, 451, 452, D14/457, 239, 250, 253, 203.7, 336, 337; D8/363, 373, 380; D6/406.3, 406.4, D6/406.5, 406.6; D12/415; D21/330, D21/331; D3/218
CPC A47B 21/04; A47B 2097/006; A47B 2097/005; A47B 2023/049; A45C 2011/002; A45C 2011/003; F16M 2200/00; F16M 13/00
See application file for complete search history.

(56) **References Cited**

U.S. PATENT DOCUMENTS

1,840,620	A	1/1932	Dennis
2,373,617	A	4/1945	Tiryakian
3,991,967	A	11/1976	Sack
5,149,046	A	9/1992	Kerley et al.

5,492,299	A	2/1996	Thermos et al.
5,651,525	A	7/1997	Yang
5,797,578	A	8/1998	Graffeo et al.
5,833,178	A	11/1998	Plasse et al.
5,845,889	A	12/1998	Suzuki
6,676,100	B2	1/2004	Hsu
D574,386	S *	8/2008	Bailo D14/451
D608,771	S *	1/2010	Hsu D14/239
8,020,818	B2	9/2011	Chou et al.
D668,256	S *	10/2012	Matteo D14/447
D669,482	S *	10/2012	Hu D14/447
D672,782	S *	12/2012	Gross D14/447
D677,262	S	3/2013	Lewis
D689,500	S	9/2013	Faulk
8,534,619	B2	9/2013	Du et al.
D694,761	S	12/2013	Zoll
D696,261	S	12/2013	Weldon
D701,212	S	3/2014	Blevins
8,708,298	B2	4/2014	Hu et al.
D704,195	S	5/2014	Marquette
D704,714	S	5/2014	Christiano
8,899,543	B2	12/2014	Liang et al.

(Continued)

Primary Examiner — Angela J Lee
(74) Attorney, Agent, or Firm — Grumbles Law PLLC; Brittany Nanzig

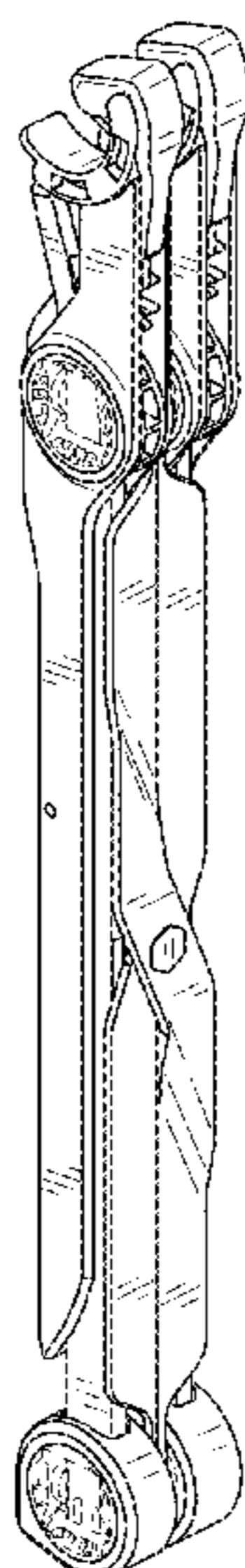
(57) **CLAIM**

I claim the ornamental design for a stand for supporting a computing device, as shown.

DESCRIPTION

FIG. 1 is a top front isometric view of a stand for supporting a computing device in a collapsed configuration in accordance with the present design.
FIG. 2 is a front elevation view thereof.
FIG. 3 is a rear elevation view thereof.
FIG. 4 is a left side elevation view thereof.
FIG. 5 is a right side elevation view thereof.
FIG. 6 is a top plan view thereof; and,
FIG. 7 is a bottom plan view thereof.

1 Claim, 3 Drawing Sheets



(56)

References Cited

U.S. PATENT DOCUMENTS

D723,311	S *	3/2015	Jiang	D14/253
9,104,372	B2	8/2015	Frenzel	
D742,386	S *	11/2015	Rost	D14/447
9,211,001	B2	12/2015	Negretti	
D757,019	S	5/2016	Pitteri	
D764,478	S	8/2016	Radmard	
D770,460	S	11/2016	Won et al.	
9,482,383	B1	11/2016	Wei	
D783,628	S	4/2017	Pitteri	
D792,417	S	7/2017	Xiang et al.	
D827,652	S *	9/2018	Jacques	D14/447
10,070,719	B2	9/2018	Olander	
10,098,452	B2	10/2018	Ko	
D838,724	S *	1/2019	Olander	A47B 23/04 D14/447
2005/0103969	A1	5/2005	Gaines	
2006/0108494	A1	5/2006	Lancet	
2009/0179132	A1	7/2009	Qin et al.	
2010/0213330	A1	8/2010	Downing	
2011/0226916	A1	9/2011	Leung et al.	
2012/0145835	A1	6/2012	Zaharakis et al.	
2012/0210912	A1	8/2012	Florendo	
2013/0001379	A1	1/2013	Hobbs	
2013/0048801	A1	2/2013	Weinberg	
2013/0277529	A1	10/2013	Bolliger	
2014/0110556	A1	4/2014	Mao	
2014/0124631	A1	5/2014	Olander	
2016/0138753	A1	5/2016	Crossland	
2018/0125229	A1	5/2018	Olander	
2018/0192770	A1	7/2018	Lu	
2018/0252353	A1	9/2018	Hou	

* cited by examiner

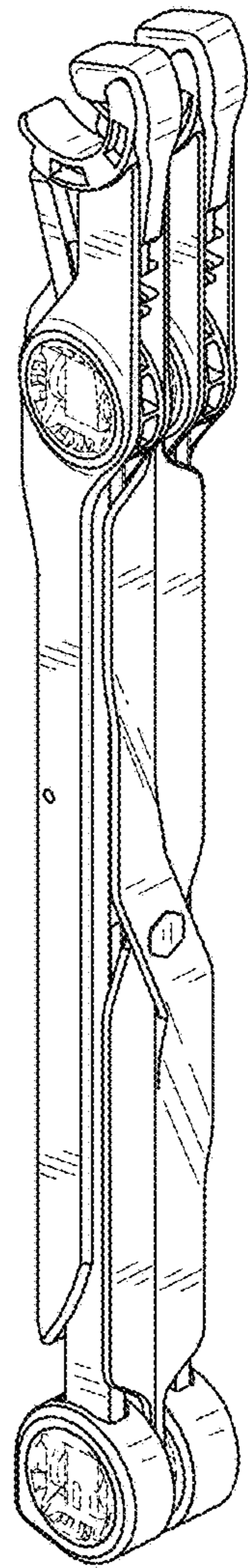


FIG. 1

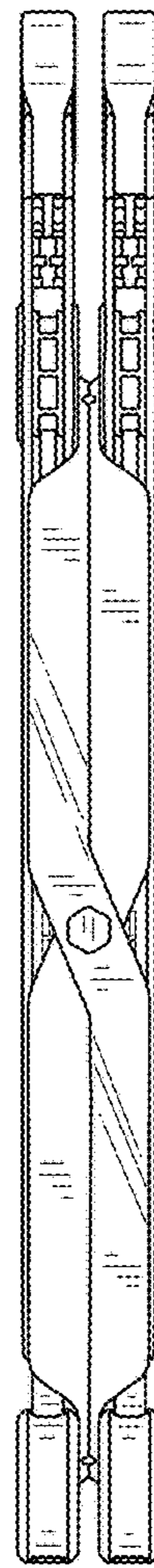


FIG. 2

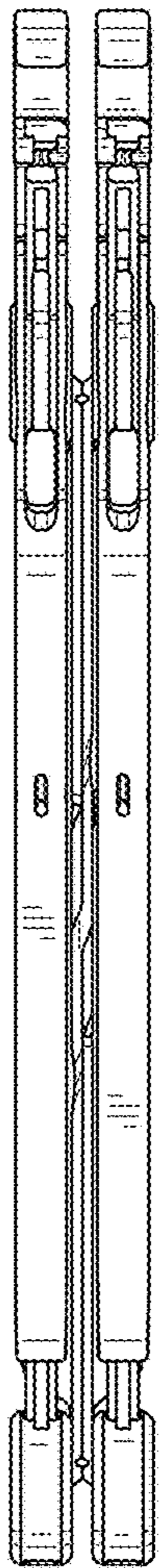


FIG. 3

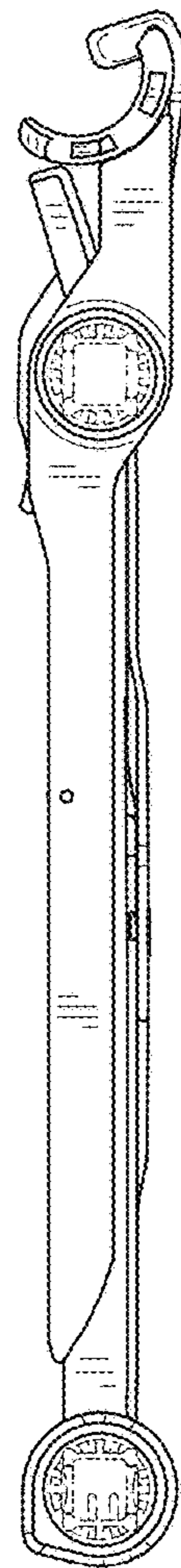


FIG. 4

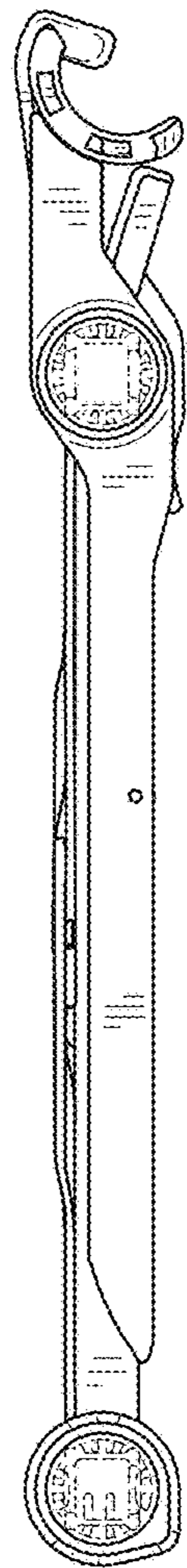


FIG. 5

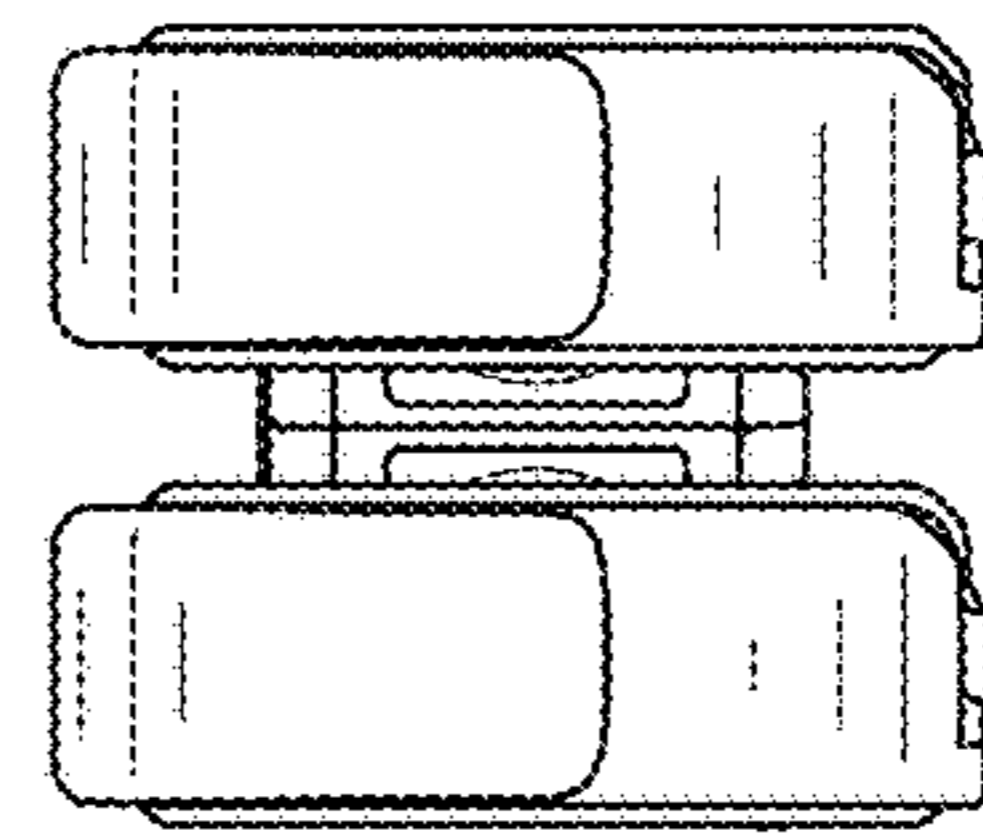


FIG. 6

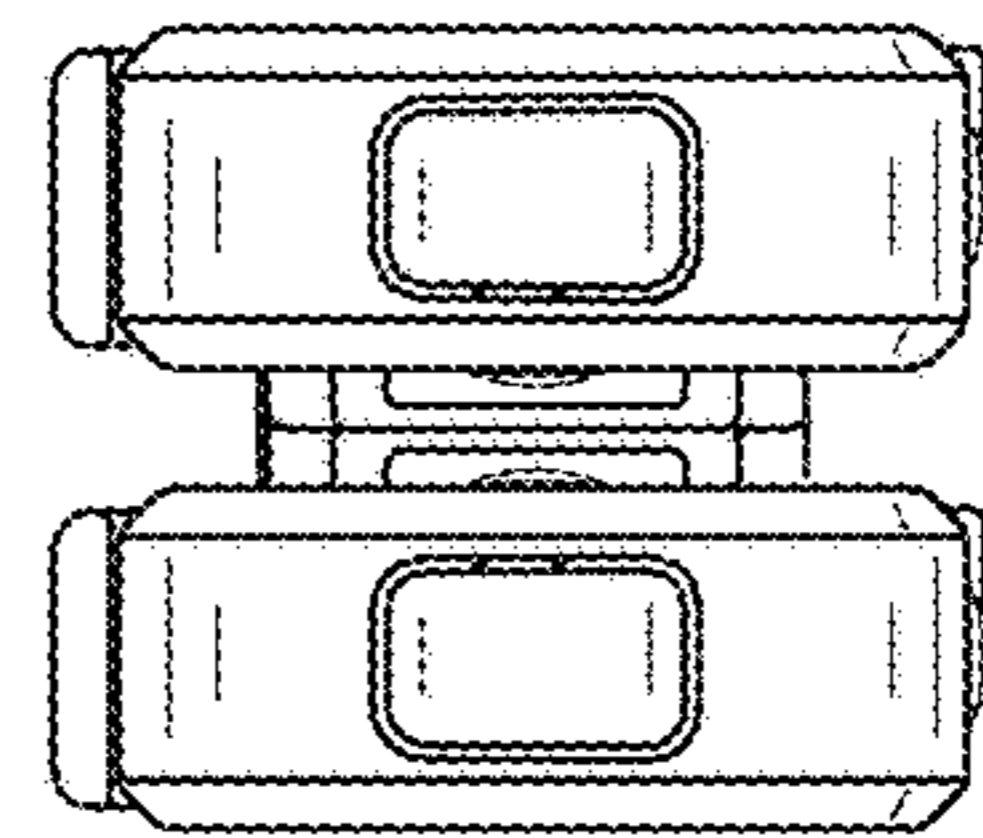


FIG. 7