

US00D860211S

(12) **United States Design Patent**  
**Xie**

(10) **Patent No.:** **US D860,211 S**

(45) **Date of Patent:** **\*\* Sep. 17, 2019**

(54) **VIDEO GAME CONSOLE GRIP CASE**

(71) Applicant: **Yun Xie**, Shenzhen (CN)

(72) Inventor: **Yun Xie**, Shenzhen (CN)

(\*\*) Term: **15 Years**

(21) Appl. No.: **29/626,442**

(22) Filed: **Nov. 17, 2017**

(30) **Foreign Application Priority Data**

May 19, 2017 (CN) ..... 2017 3 0189748

(51) **LOC (12) Cl.** ..... **14-02**

(52) **U.S. Cl.**  
USPC ..... **D14/440**

(58) **Field of Classification Search**  
USPC ..... D14/440; 206/45.23, 320, 45.2;  
361/679.55; 294/25; 224/218  
CPC ... G06F 1/1628; G06F 1/1626; A47B 23/044;  
H04B 1/3888; H05K 5/0217  
See application file for complete search history.

(56) **References Cited**

**U.S. PATENT DOCUMENTS**

6,726,070	B2 *	4/2004	Lautner	.....	A44C 5/0007
					224/221
D492,303	S *	6/2004	Schlieffers	.....	D14/341
D591,801	S *	5/2009	Mak	.....	D21/469
D594,004	S *	6/2009	Takemasa	.....	D14/341
D611,467	S *	3/2010	Gou	.....	D14/315
D613,285	S *	4/2010	Grant	.....	D14/341
D626,123	S *	10/2010	Peng	.....	D14/324
D676,449	S *	2/2013	Probst	.....	D14/440
D685,376	S *	7/2013	Kim	.....	D14/439
D689,056	S *	9/2013	Li	.....	D14/440
D690,704	S *	10/2013	Padilla	.....	D14/440
D691,144	S *	10/2013	Peters	.....	D14/440
D691,146	S *	10/2013	Perez	.....	D14/440

D694,246	S *	11/2013	Park	.....	D14/440
D703,672	S *	4/2014	Kim	.....	D14/440
8,690,210	B1 *	4/2014	May	.....	A45F 5/00
					224/217
D712,412	S *	9/2014	Bleau	.....	D14/440
D721,075	S *	1/2015	Toda	.....	D14/342
D721,376	S *	1/2015	Lee	.....	D14/440
D725,659	S *	3/2015	Tussy	.....	D14/440
D727,917	S *	4/2015	Yeo	.....	D14/440
D733,154	S *	6/2015	Armstrong	.....	D14/440
D741,335	S *	10/2015	Bastian	.....	D14/440
D747,321	S *	1/2016	London	.....	D14/440
D749,592	S *	2/2016	Huang	.....	D14/440
D752,052	S *	3/2016	Park	.....	D14/440
D754,666	S *	4/2016	Tiffen	.....	D14/440
D763,853	S *	8/2016	Pearce	.....	D14/440
D765,085	S *	8/2016	Moore	.....	D14/440

(Continued)

*Primary Examiner* — Cynthia R Underwood

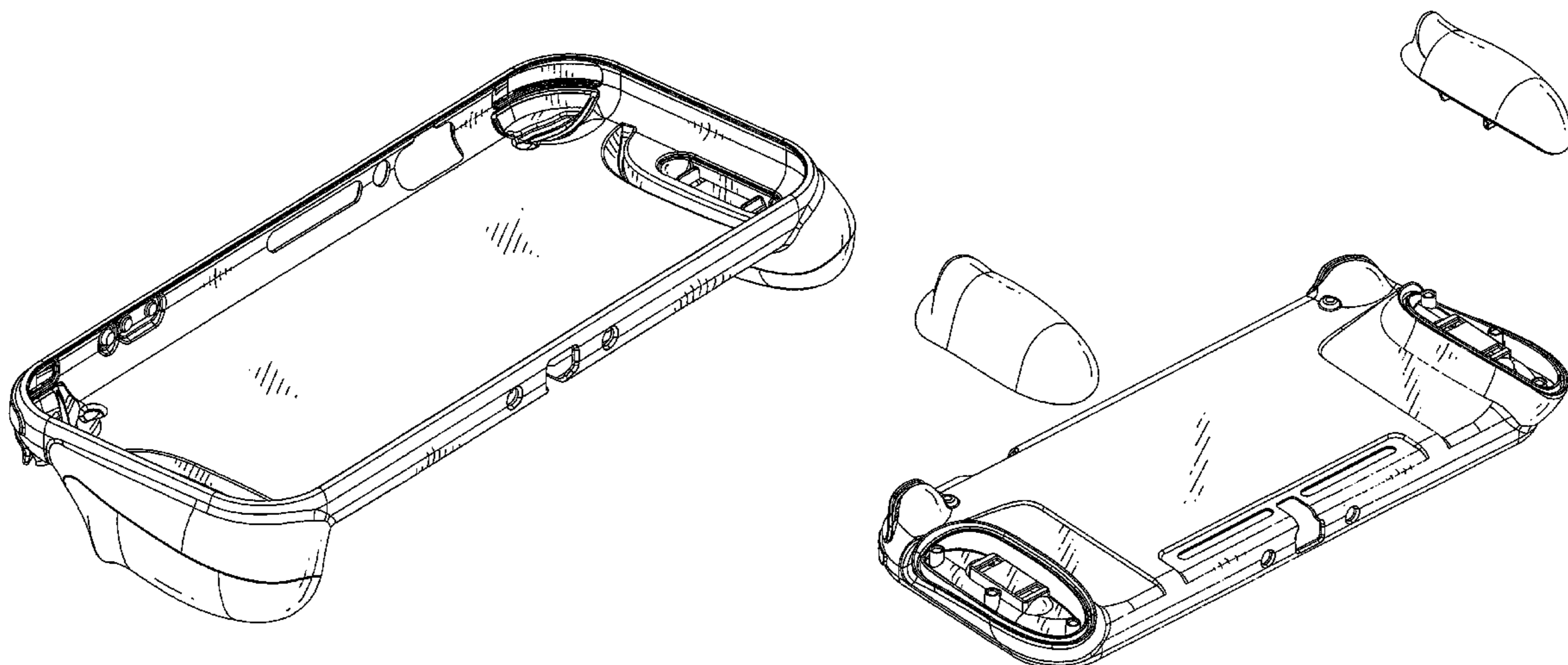
(57) **CLAIM**

The ornamental design for a video game console grip case, as shown and described.

**DESCRIPTION**

FIG. 1 is a front elevational view of a video game console grip case showing my new design;  
FIG. 2 is a rear elevational view thereof;  
FIG. 3 is a left side elevational view thereof;  
FIG. 4 is a right side elevational view thereof;  
FIG. 5 is a bottom plan view thereof;  
FIG. 6 is a top plan view thereof;  
FIG. 7 is a perspective view thereof;  
FIG. 8 is another perspective view of the video game console grip case showing a video game being disposed therein; and,  
FIG. 9 is an exploded view showing grips being removed from the video game console grip case.  
The broken lines represent an environment of use and form no part of the claim.

**1 Claim, 9 Drawing Sheets**



(56)

References Cited

U.S. PATENT DOCUMENTS

9,407,743 B1 \* 8/2016 Hirshberg ..... H04M 1/04  
 D766,249 S \* 9/2016 Veltz ..... D14/440  
 D771,030 S \* 11/2016 Tussy ..... D14/250  
 D784,350 S \* 4/2017 Li ..... D14/440  
 D794,007 S \* 8/2017 Zhang ..... D14/250  
 D794,625 S \* 8/2017 Armstrong ..... D14/250  
 D797,106 S \* 9/2017 Paolizzi ..... D14/426  
 D803,222 S \* 11/2017 Cheng ..... D14/440  
 D806,080 S \* 12/2017 Chen ..... D14/440  
 D806,083 S \* 12/2017 Armstrong ..... D14/440  
 D807,366 S \* 1/2018 Chen ..... D14/440  
 D810,065 S \* 2/2018 Tien ..... D14/250  
 D810,066 S \* 2/2018 Tien ..... D14/250  
 D811,386 S \* 2/2018 Oakley ..... D14/341  
 D817,316 S \* 5/2018 Srouf ..... D14/251  
 D821,405 S \* 6/2018 Chen ..... D14/440  
 2004/0226973 A1 \* 11/2004 Kao ..... F16M 11/041  
 2007/0215512 A1 \* 9/2007 Bellissimo ..... A47G 23/0625  
 206/557

2009/0219677 A1 \* 9/2009 Mori ..... A45F 3/14  
 361/679.03  
 2011/0267748 A1 \* 11/2011 Lane ..... A45F 5/00  
 361/679.01  
 2011/0309117 A1 \* 12/2011 Roberts ..... A45F 5/00  
 224/217  
 2012/0075799 A1 \* 3/2012 Pollex ..... F16M 11/041  
 361/679.56  
 2012/0091312 A1 \* 4/2012 Baker ..... F16M 13/00  
 248/682  
 2014/0054910 A1 \* 2/2014 Kim ..... H04B 1/385  
 294/158  
 2014/0152034 A1 \* 6/2014 Tussy ..... F16M 13/04  
 294/142  
 2015/0009610 A1 \* 1/2015 London ..... G06F 1/163  
 361/679.03  
 2015/0068934 A1 \* 3/2015 Armstrong ..... A45C 11/00  
 206/320  
 2015/0201743 A1 \* 7/2015 Erickson-Davis ..... A45F 5/00  
 224/218  
 2017/0045920 A1 \* 2/2017 Armstrong ..... G06F 1/1669

\* cited by examiner

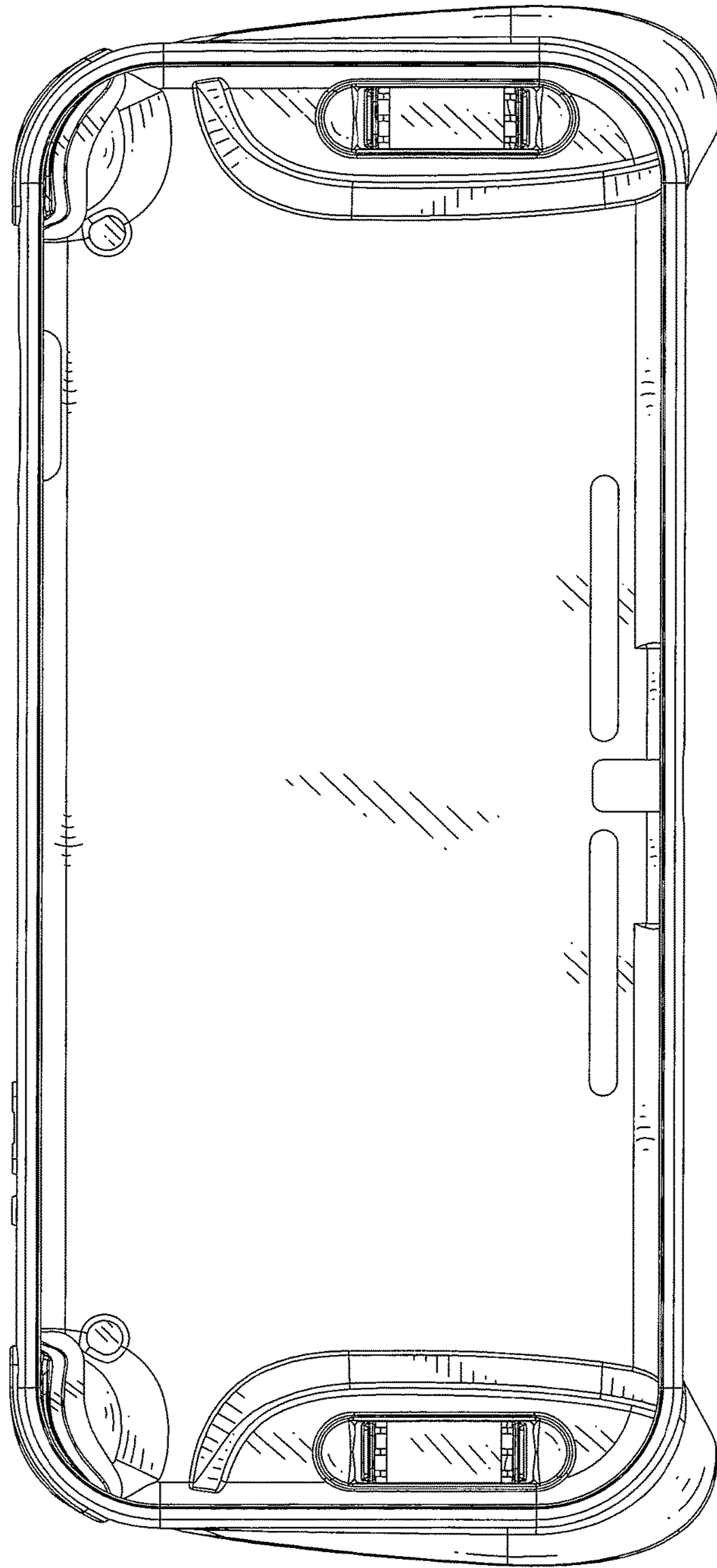


Fig.1



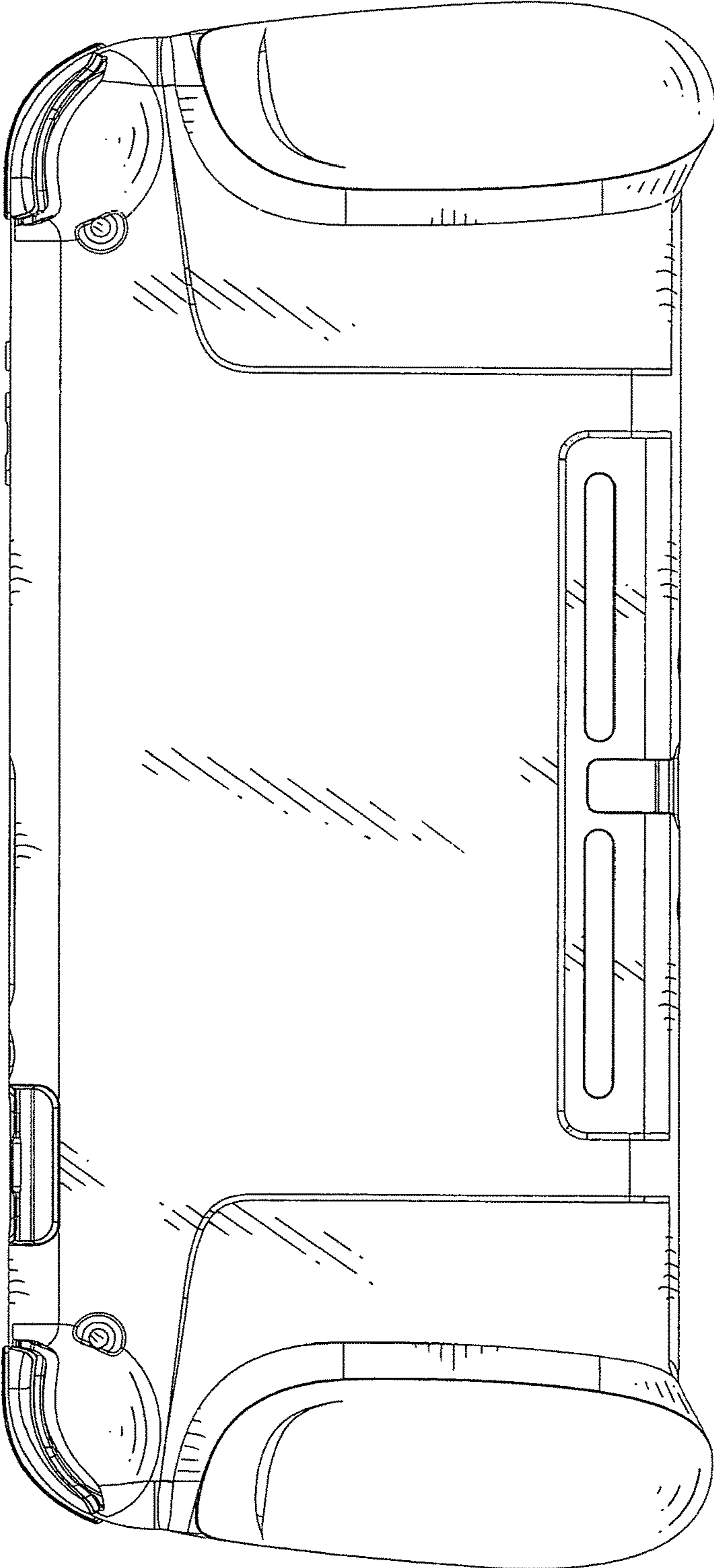


Fig.2

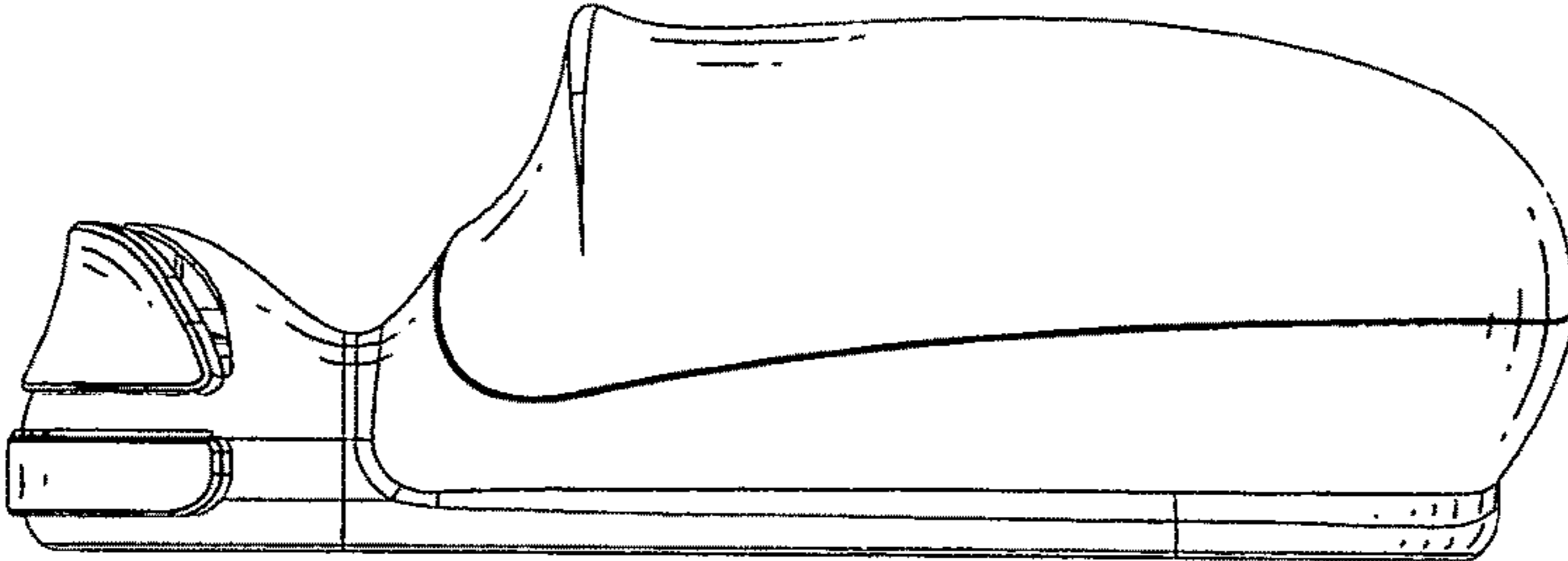


Fig.3

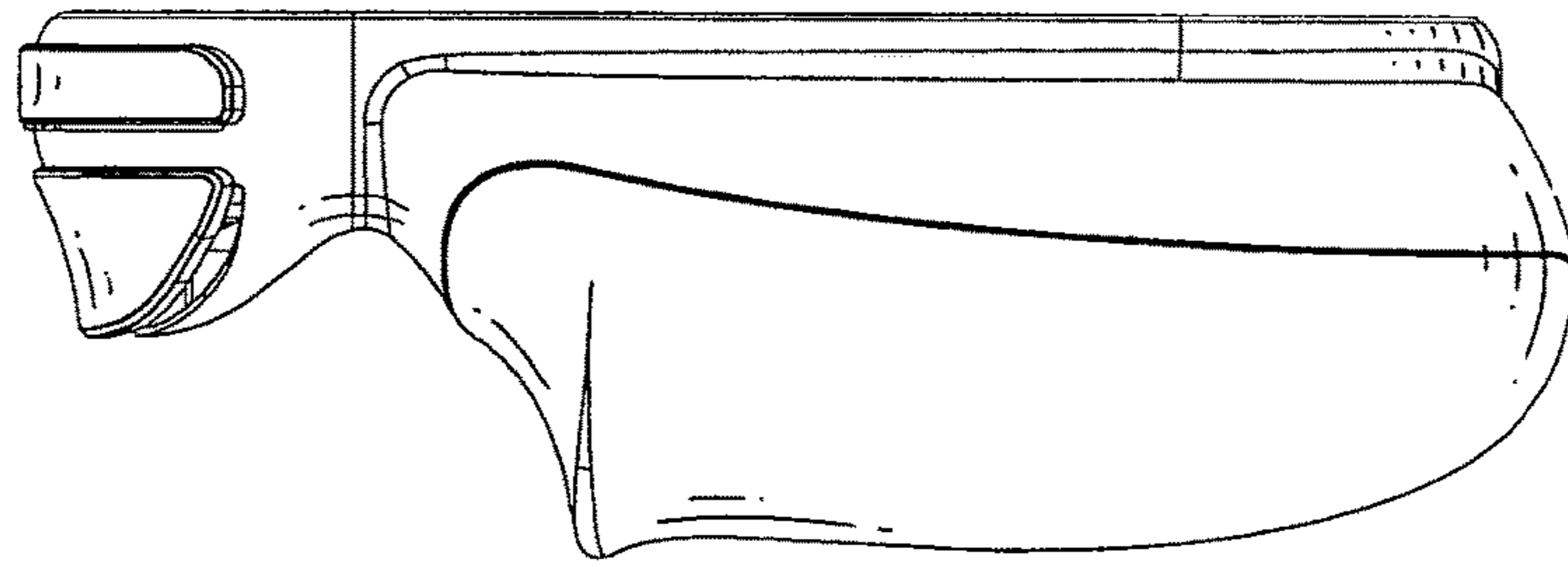


Fig.4

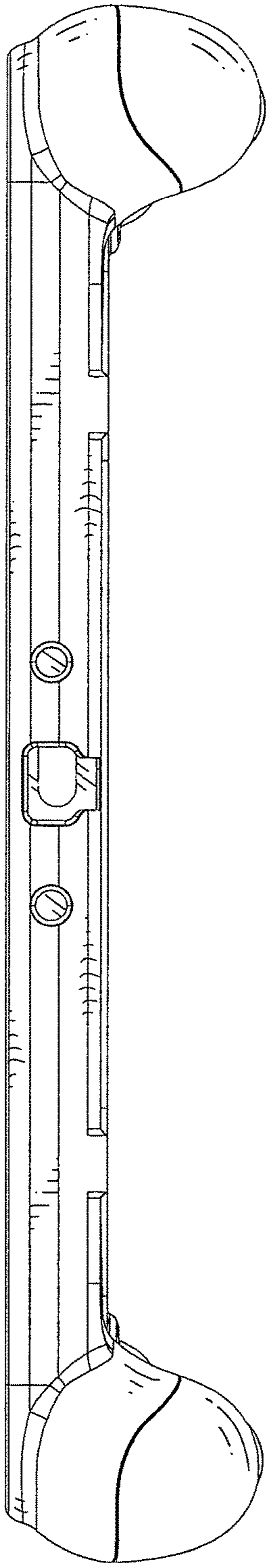


Fig.5

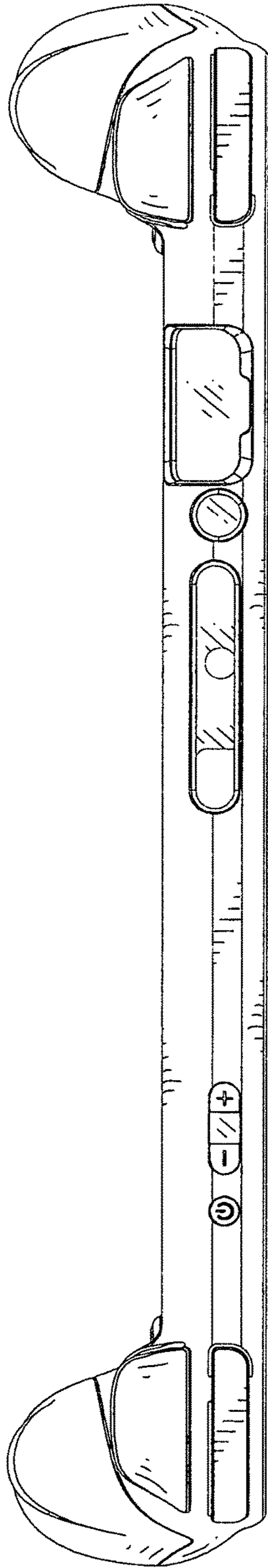


Fig.6



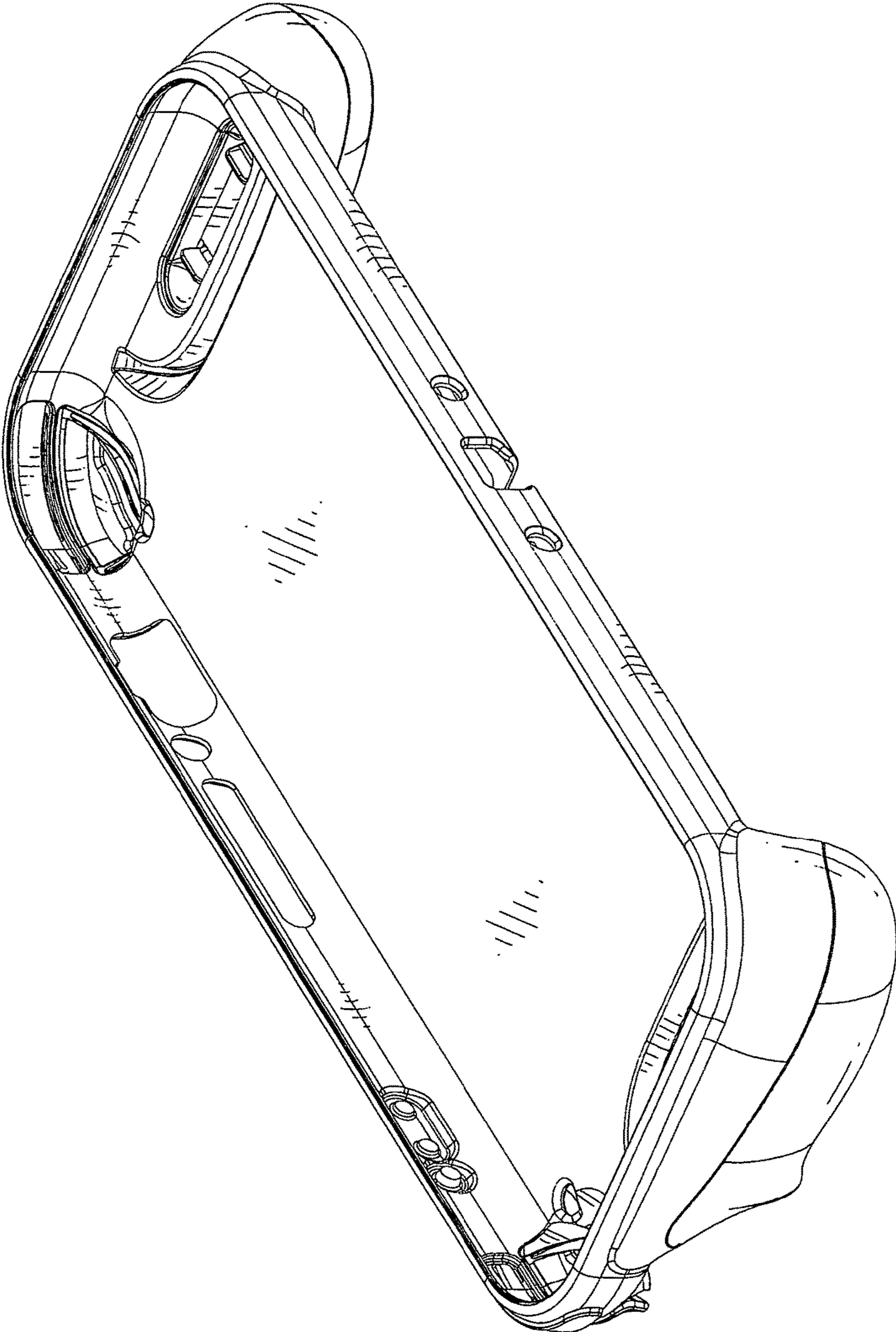


Fig.7

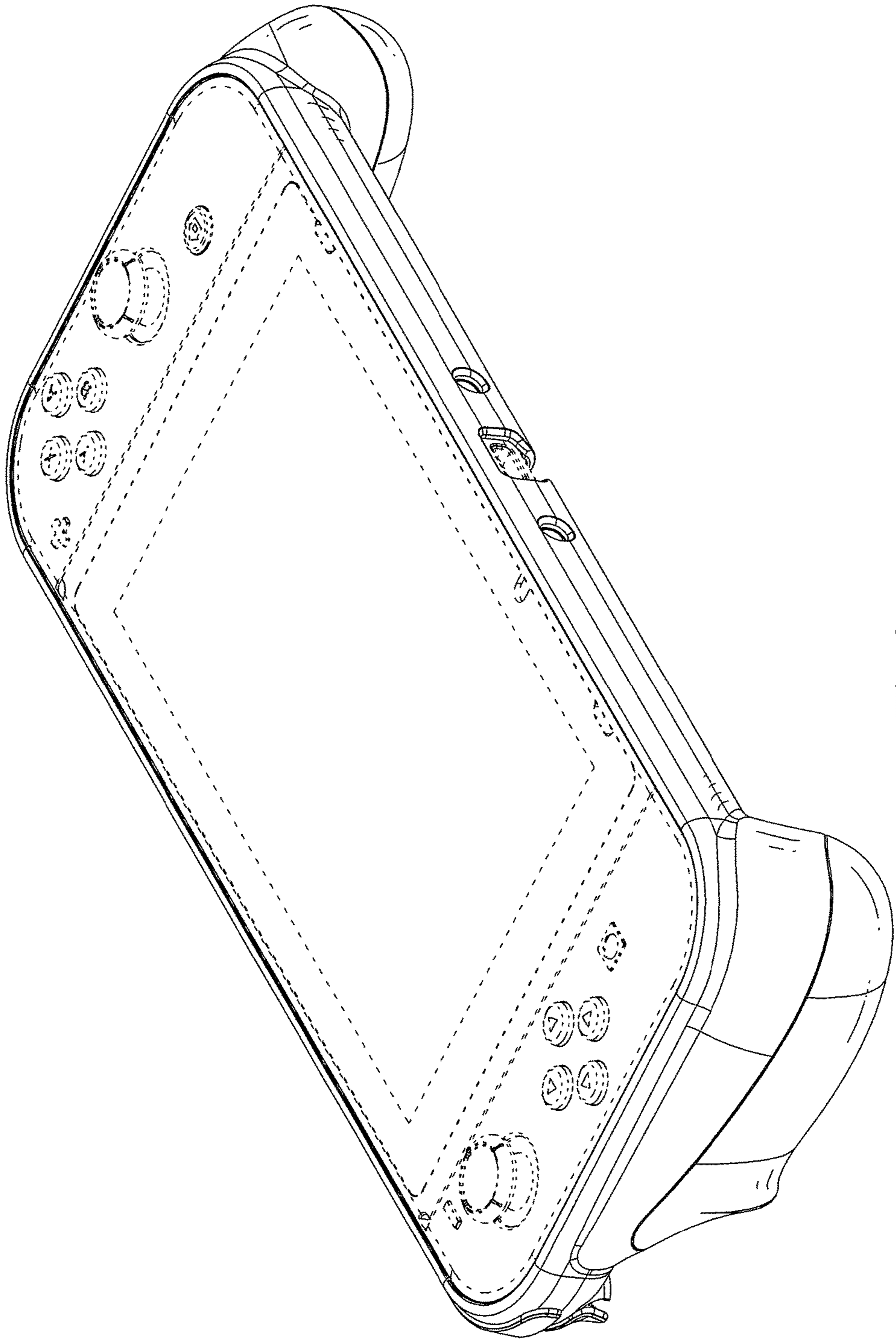


Fig.8

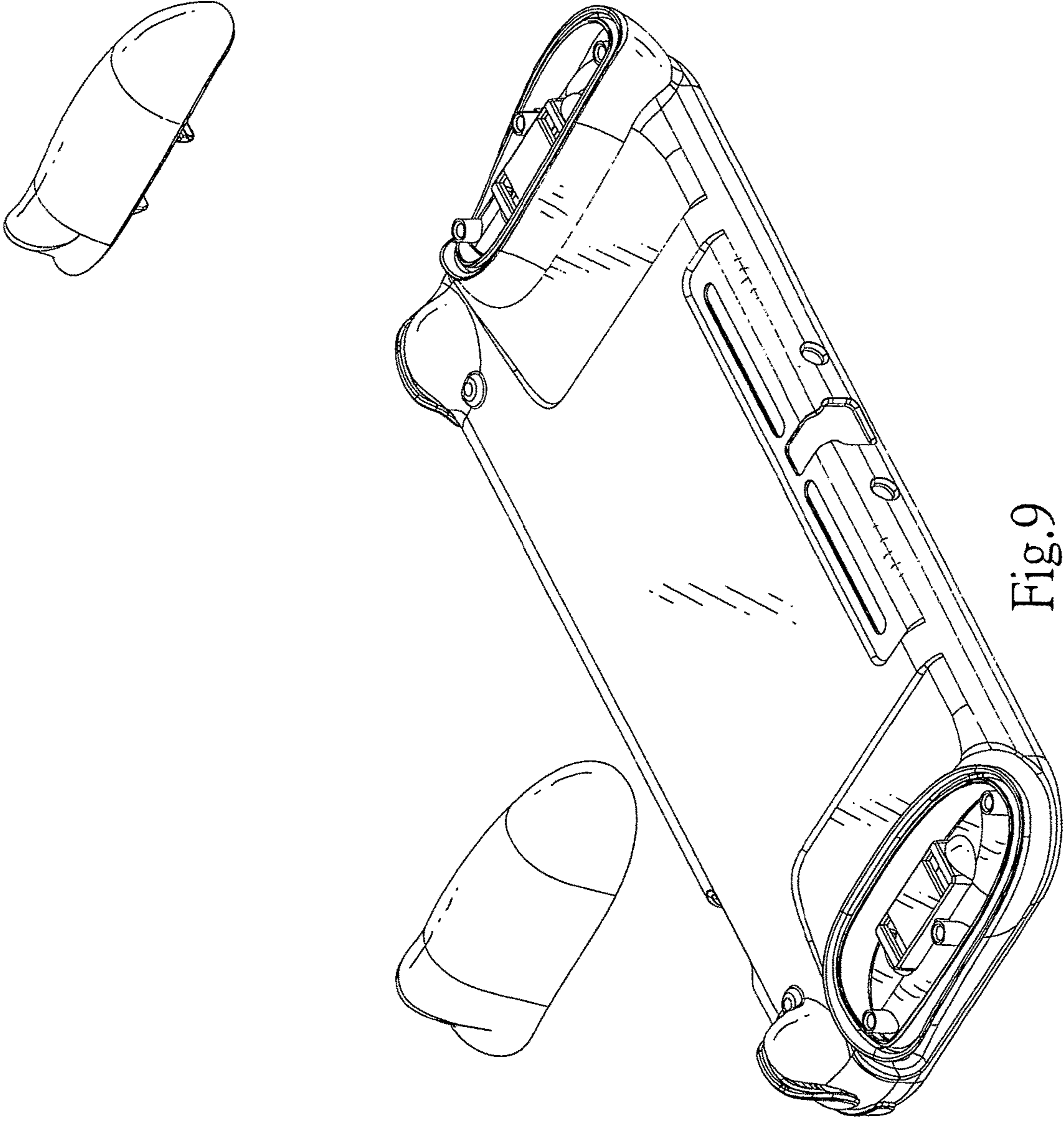


Fig.9