



US00D860209S

(12) **United States Design Patent**
Collins et al.

(10) **Patent No.:** **US D860,209 S**
(45) **Date of Patent:** **** Sep. 17, 2019**

- (54) **COMPUTER DOCK FOR A BACKPACK**
- (71) Applicant: **Intel Corporation**, Santa Clara, CA (US)
- (72) Inventors: **David Collins**, Portland, OR (US);
Stephen Berry, Bastrop, TX (US)
- (73) Assignee: **Intel Corporation**, Santa Clara, CA (US)

(**) Term: **15 Years**

(21) Appl. No.: **29/641,716**

(22) Filed: **Mar. 23, 2018**

(51) **LOC (12) Cl.** **14-02**

(52) **U.S. Cl.**
USPC **D14/434; D3/215**

(58) **Field of Classification Search**
USPC D14/434, 432, 433, 440, 447, 251–253,
D14/451, 452, 454, 140, 142, 149, 217,
D14/240, 299, 496, 314, 356, 357, 358,
D14/209.1, 171; D21/333; D13/103,
D13/107, 108, 133, 135, 184; D3/201,
D3/215, 216, 218, 227; D29/101.1
CPC G06F 1/16; G06F 1/162; G06F 1/1626;
G06F 1/163; G06F 1/1632; G06F 1/1688;
G06F 13/00; H01M 10/44; F16M 11/10;
F16M 11/20

See application file for complete search history.

(56) **References Cited**

U.S. PATENT DOCUMENTS

- D381,664 S * 7/1997 Williams D14/251
- D385,530 S * 10/1997 Hames D13/107
- D395,279 S * 6/1998 Peress D13/107
- D417,189 S * 11/1999 Amero, Jr. D13/107
- D427,145 S * 6/2000 Singh D13/107
- 6,135,408 A * 10/2000 Richter B60R 11/00
224/183
- D476,292 S * 6/2003 Lee D13/103

- D525,422 S * 7/2006 Williams D3/218
- D558,974 S * 1/2008 Denzer D3/215
- D613,497 S * 4/2010 Pho D3/216
- D620,054 S * 7/2010 Yano D14/345
- D620,055 S * 7/2010 Yano D14/345
- D620,056 S * 7/2010 Yano D14/345
- D660,584 S * 5/2012 Cross D3/216

(Continued)

OTHER PUBLICATIONS

Alienware has an interesting idea for a tether-free VR backpack. thetechaltar.com (Online) posted Jun. 17, 2016. [Retrieved on Oct. 4, 2019] <https://thetechaltar.com/alienware-interesting-vr-backpack/>.*

(Continued)

Primary Examiner — Marie D. Fast Horse
(74) *Attorney, Agent, or Firm* — Hanley, Flight & Zimmerman, LLC

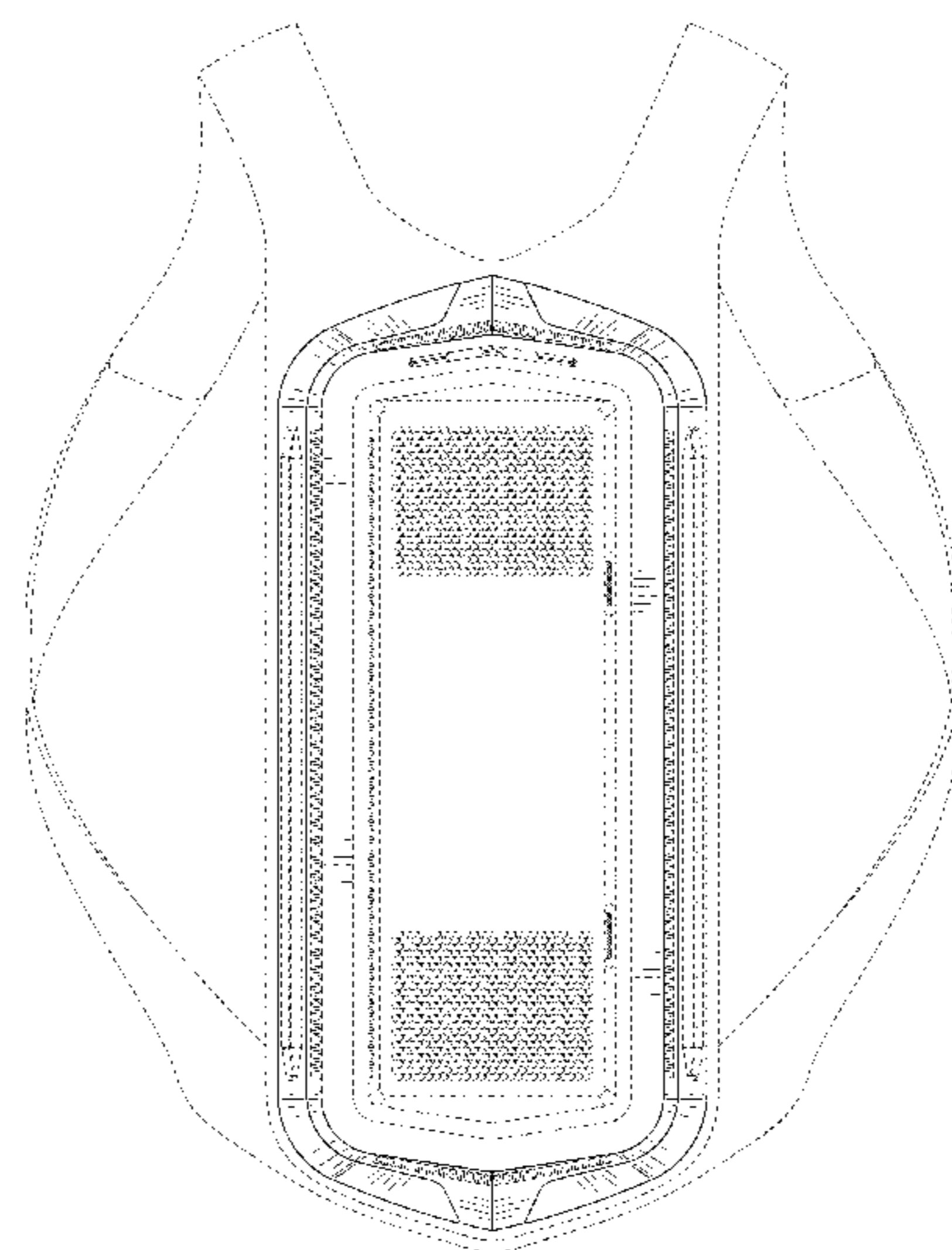
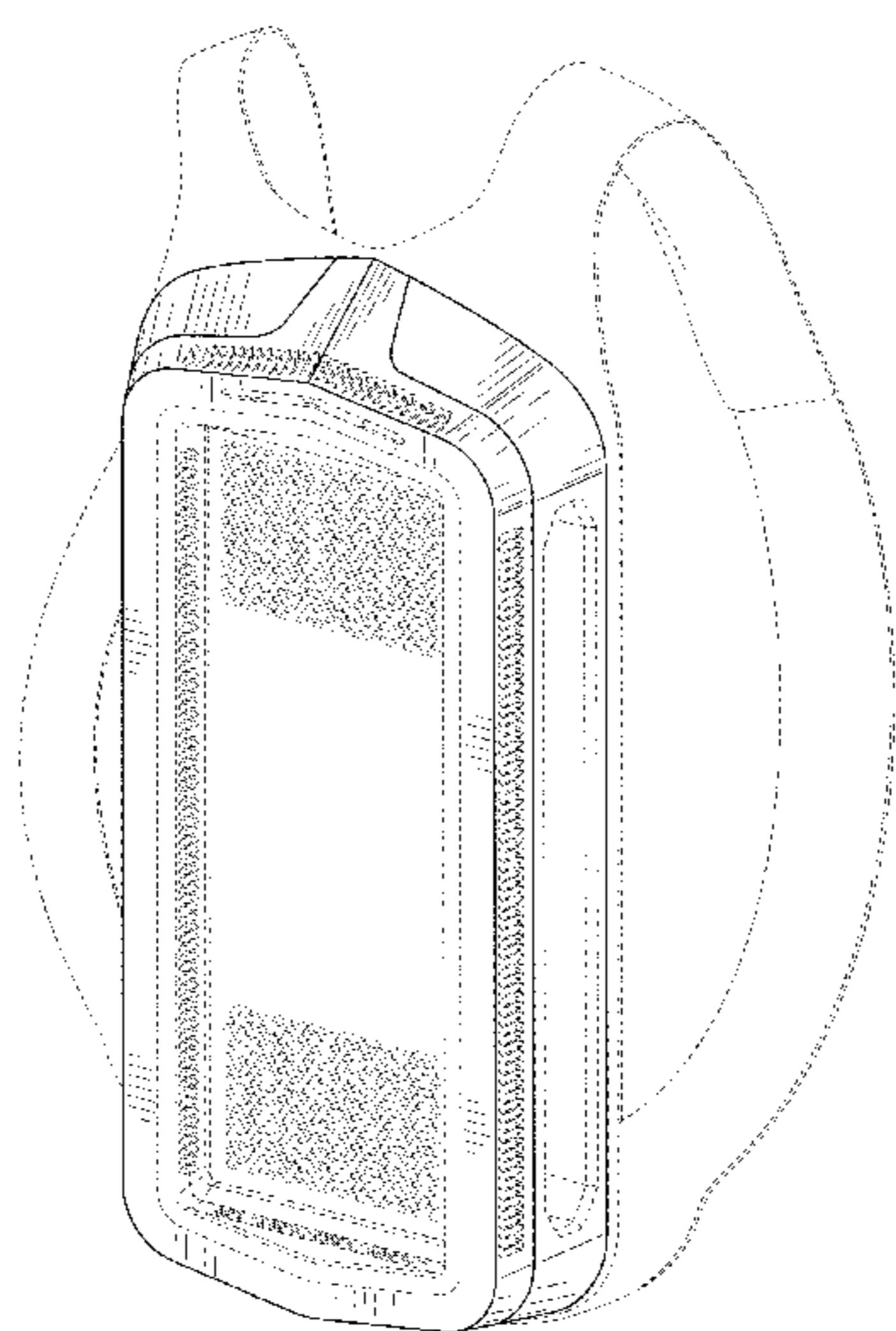
(57) **CLAIM**

The ornamental design for a “computer dock for a backpack”, as shown and described in FIGS. 1-8.

DESCRIPTION

FIG. 1 is a top, right perspective view of a computer dock for use with a backpack.
FIG. 2 is a bottom, left perspective view of the computer dock of FIG. 1.
FIG. 3 is a front view of the computer dock of FIG. 1.
FIG. 4 is a rear view of the computer dock of FIG. 1.
FIG. 5 is a right side view of the computer dock of FIG. 1.
FIG. 6 is a left side view of the computer dock of FIG. 1.
FIG. 7 is a top view of the computer dock of FIG. 1; and, FIG. 8 is a bottom view of the computer dock of FIG. 1.
The features shown in broken lines form no part of the claimed design.

1 Claim, 7 Drawing Sheets



(56)

References Cited

U.S. PATENT DOCUMENTS

D673,362 S * 1/2013 Presman D3/216
 D690,415 S * 9/2013 Mittelstadt D24/110.1
 D697,708 S * 1/2014 Denzer D3/215
 D723,572 S * 3/2015 Akana D14/447
 D727,917 S * 4/2015 Yeo D14/440
 D731,493 S * 6/2015 Mills D14/440
 D731,495 S * 6/2015 Hassett D14/440
 D732,241 S * 6/2015 Couzyn D29/101.1
 D732,287 S * 6/2015 Clark D14/129
 D732,541 S * 6/2015 Bates D14/440
 D737,277 S * 8/2015 Song D14/450
 D739,708 S * 9/2015 McSweyn D8/349
 D741,335 S * 10/2015 Bastian D14/440
 D749,592 S * 2/2016 Huang D14/440
 D751,079 S * 3/2016 Skjoldborg D14/434
 D753,910 S * 4/2016 Shahroudi D3/215
 D758,064 S * 6/2016 Zwetzig D3/201
 D759,018 S * 6/2016 Subramaniam D14/434
 D771,590 S * 11/2016 Carbone D14/496
 D776,119 S * 1/2017 Plante G06F 1/1632
 D785,637 S * 5/2017 Hennings D14/440
 D790,960 S * 7/2017 Mcsweyn D12/415
 D805,081 S * 12/2017 Mittelstadt D14/440
 D807,364 S * 1/2018 Cadalora D14/440

D810,088 S * 2/2018 Moore D14/440
 D810,750 S * 2/2018 Chang D14/434
 D826,237 S * 8/2018 Cadalora B62D 1/105
 D828,996 S * 9/2018 Molnar D3/218
 D830,368 S * 10/2018 Zhang D14/440
 D831,276 S * 10/2018 Pennington, Jr. D29/101.1
 D831,334 S * 10/2018 Alexiou D3/218
 D831,462 S * 10/2018 McSweyn D14/253
 D833,737 S * 11/2018 Ooi D3/218
 D840,929 S * 2/2019 Pennington, Jr. D13/108
 D842,297 S * 3/2019 Pennington, Jr. D14/434
 D843,713 S * 3/2019 Li D3/217
 D844,559 S * 4/2019 Mercer D13/107
 2017/0371374 A1 * 12/2017 Carnevali G06F 1/1632

OTHER PUBLICATIONS

The best 4 Backpack PCs on the market VR ready. twittertechnews.com. twittertechnews.com. (Online) posted Sep. 15, 2017. [Retrieved on Apr. 10, 2019] <http://twittertechnews.com/virtualreality/the-best-4-backpack-pc-vr-ready-on-the-market/>. *
 United States Patent and Trademark Office, "Notice of Allowance and Fee(s) Due," issued in connection with U.S. Appl. No. 29/641,729 dated Apr. 17, 2019, 10 pages.

* cited by examiner

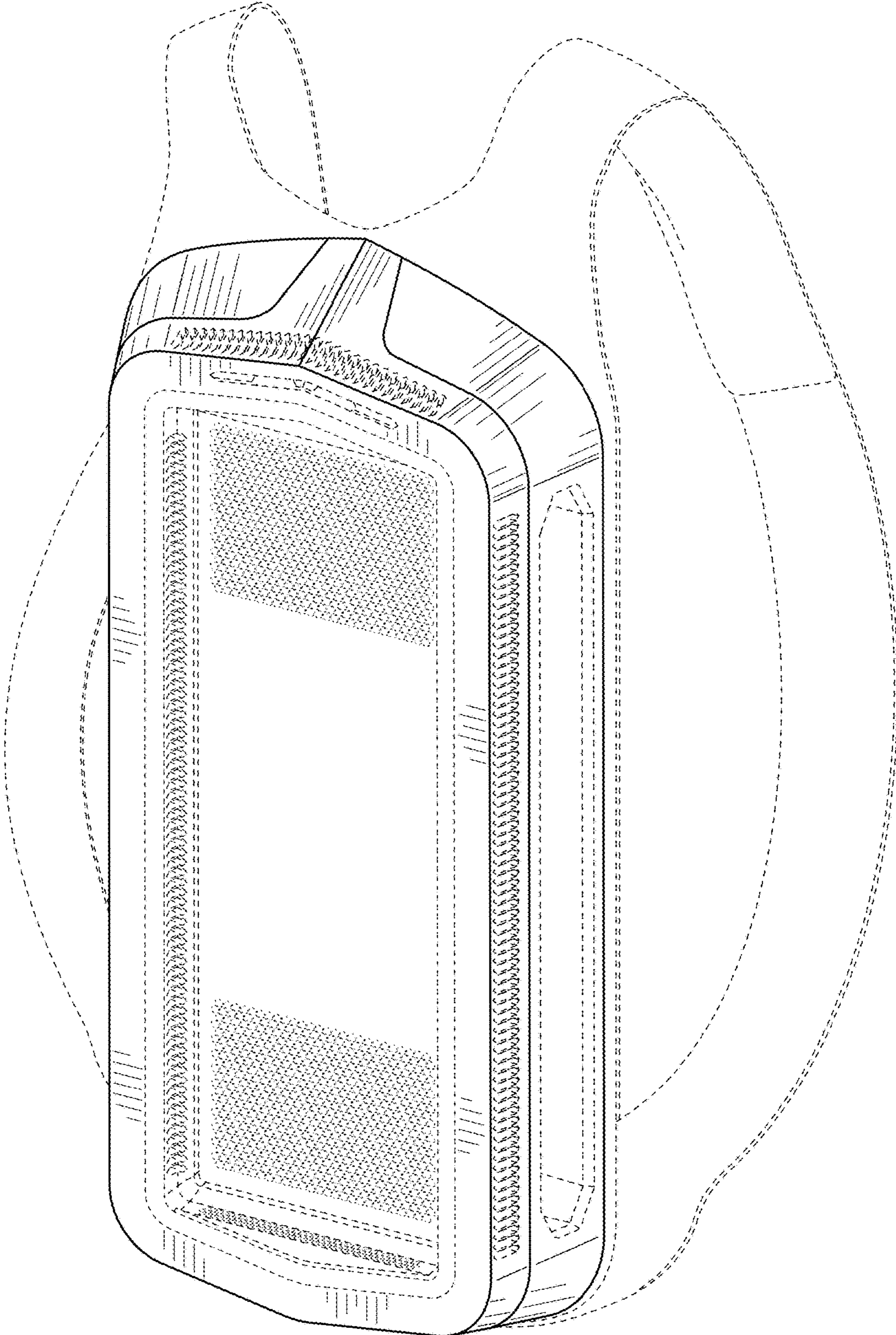


FIG. 1

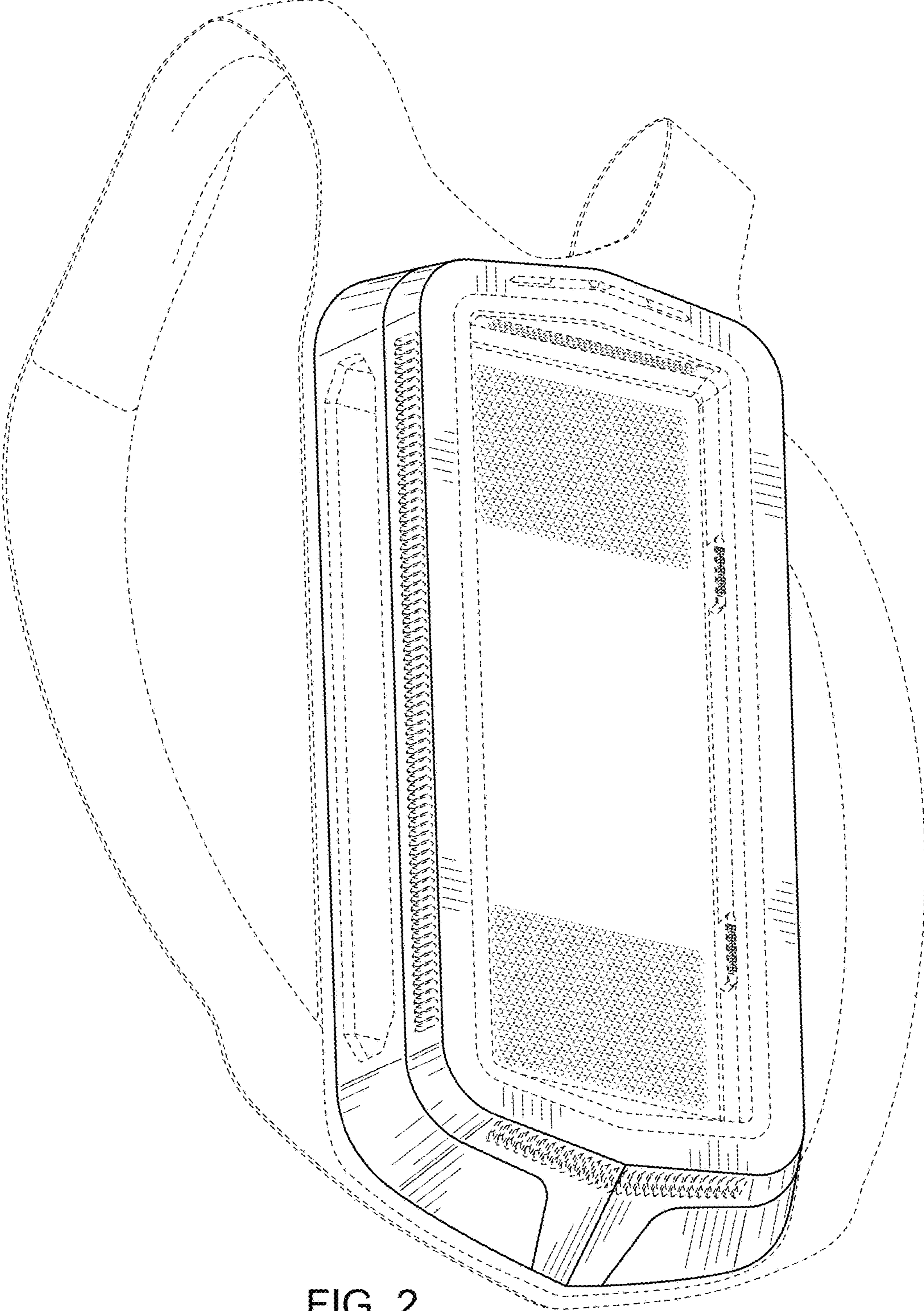


FIG. 2

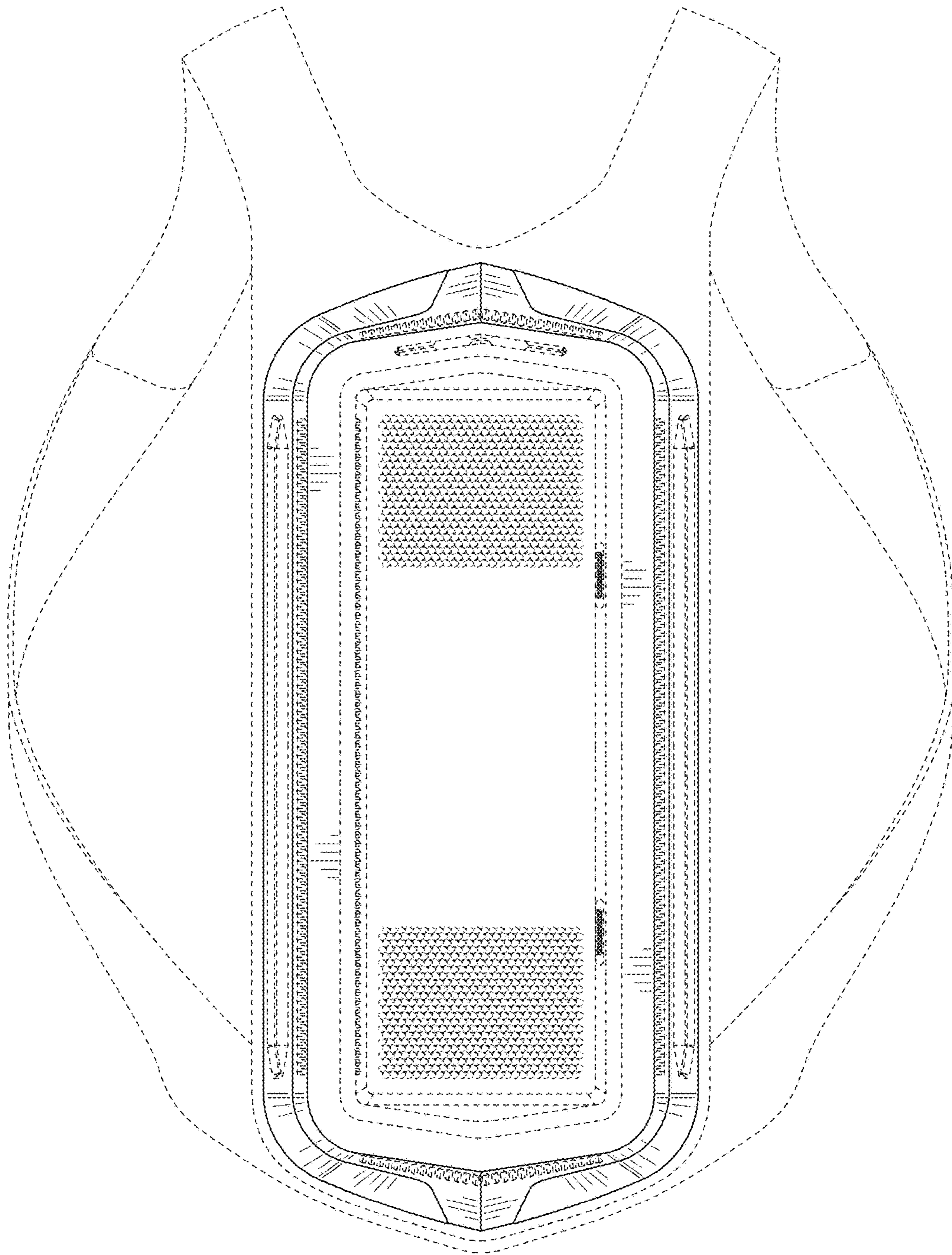


FIG. 3

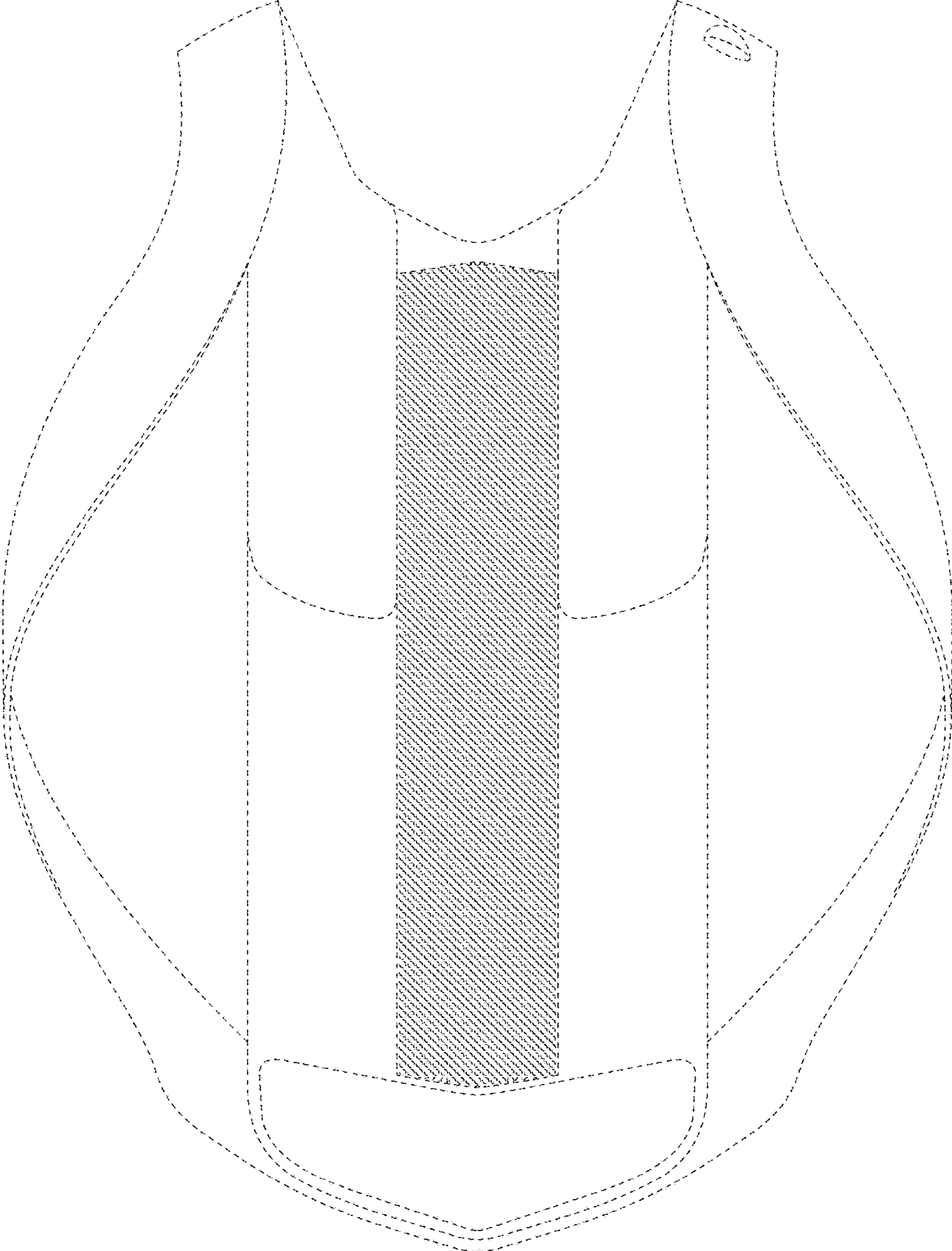


FIG. 4

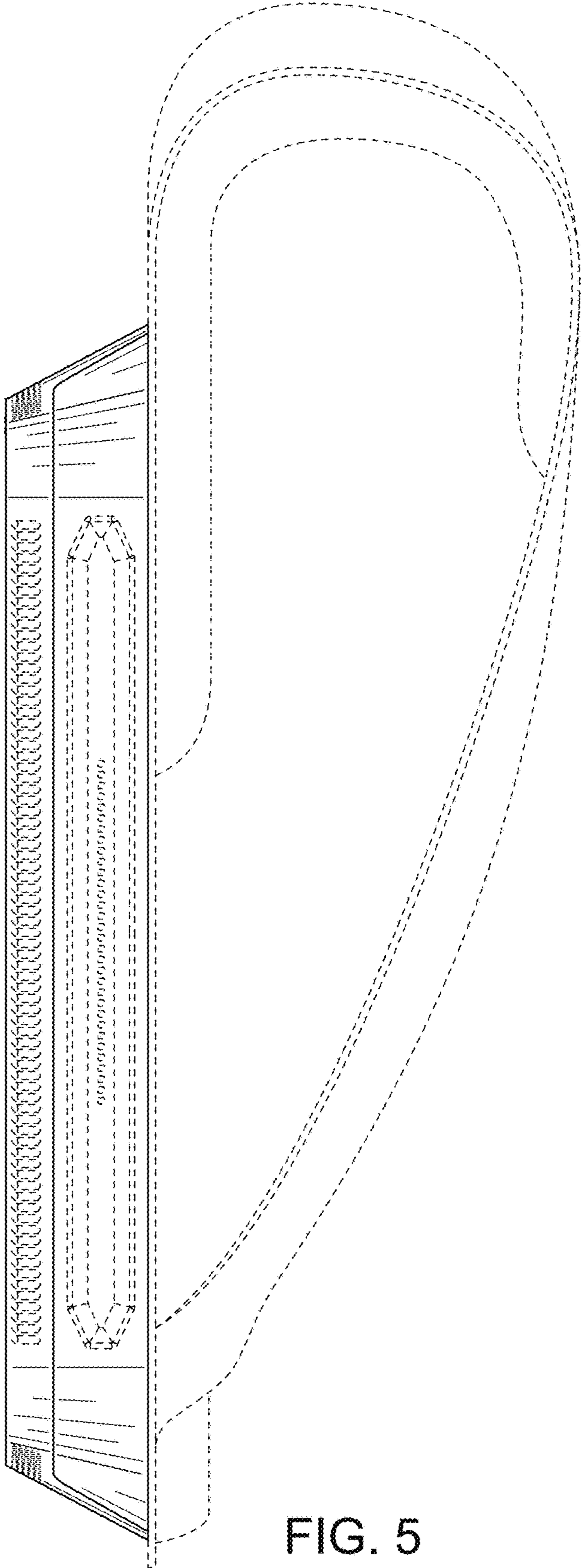


FIG. 5

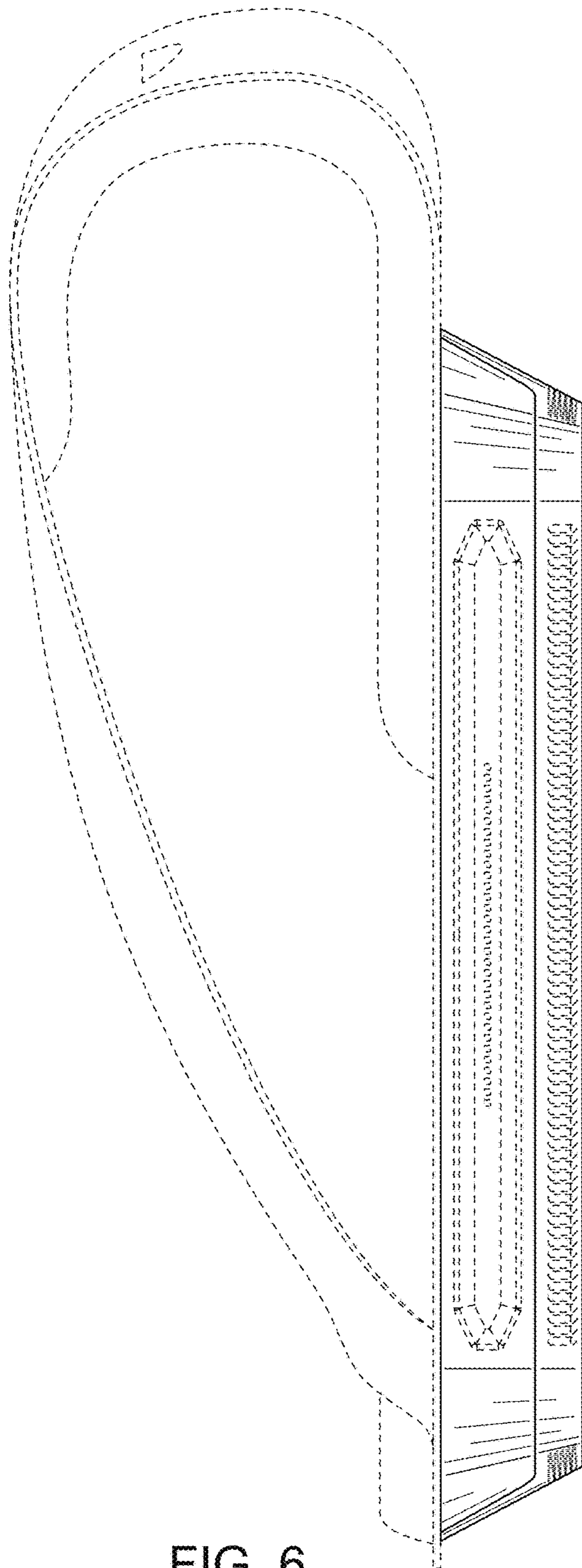


FIG. 6

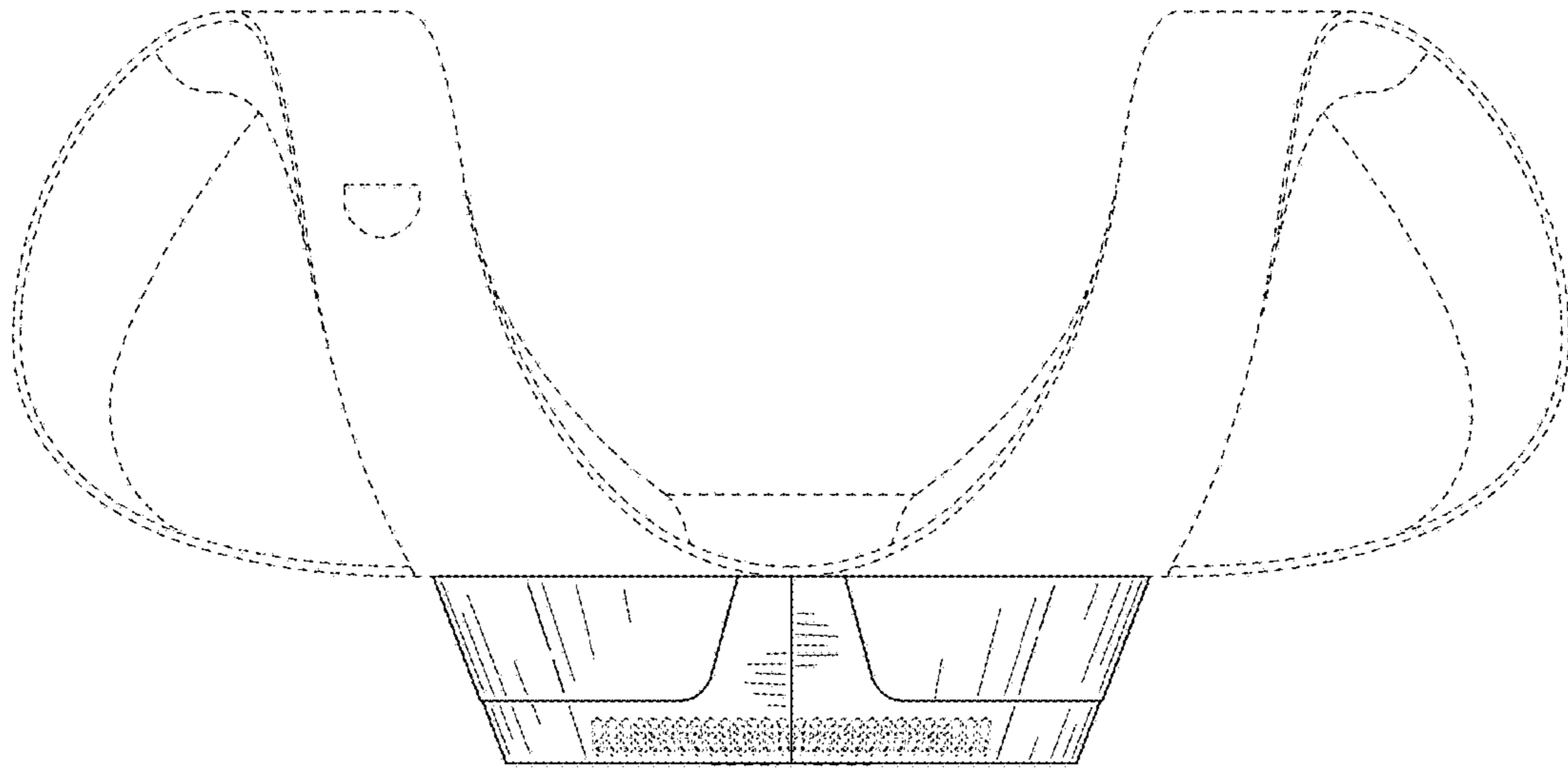


FIG. 7

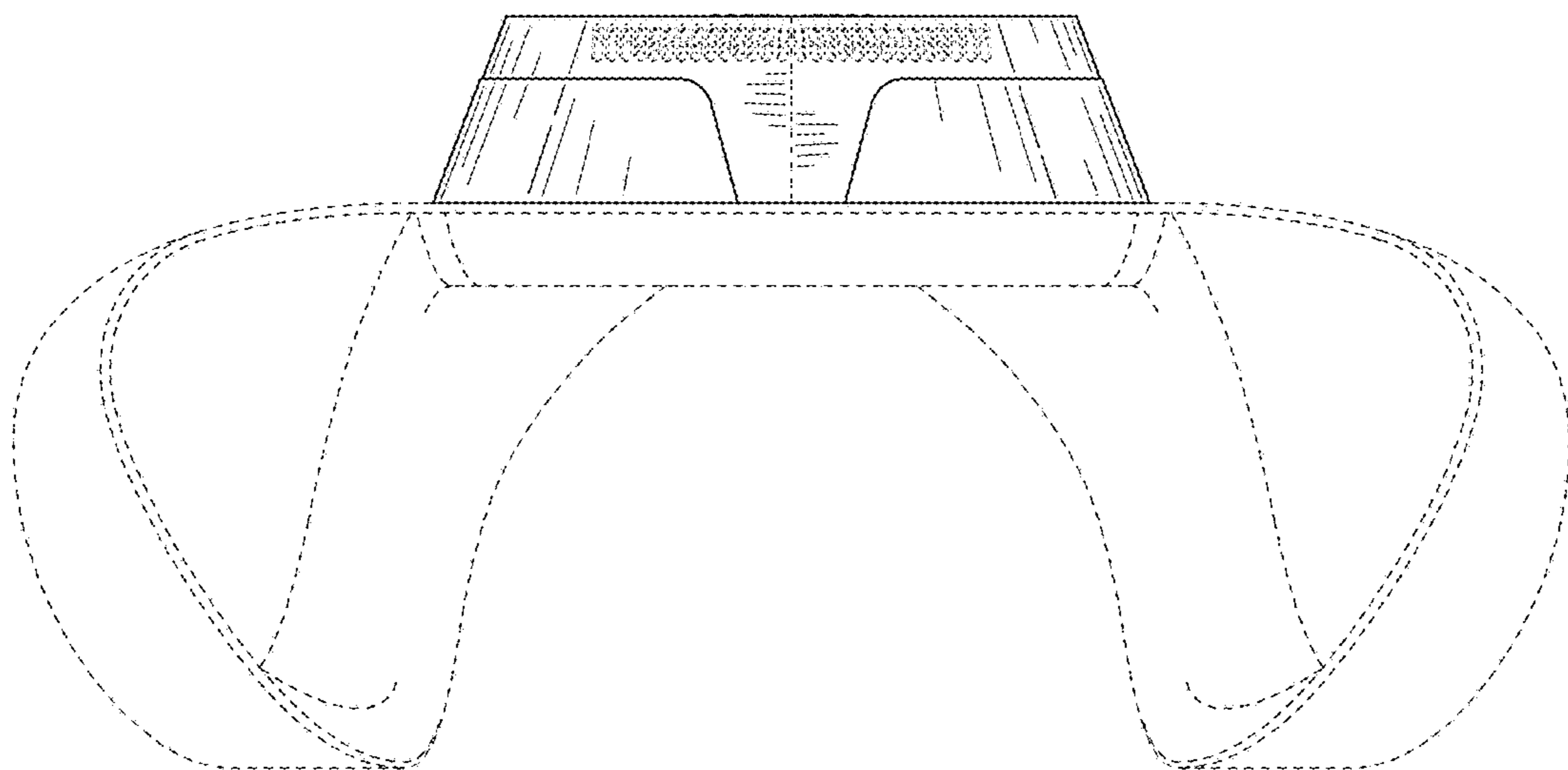


FIG. 8