



US00D860208S

(12) **United States Design Patent** (10) **Patent No.:** **US D860,208 S**
Okuley (45) **Date of Patent:** **** Sep. 17, 2019**

(54) **MONITOR DOCKING STATION HAVING MULTIPLE DOCKS FOR MULTIPLE TABLET DEVICES**

21/0314; A47B 88/044; A47B 2021/0335; F16B 47/00; F16B 47/006

See application file for complete search history.

(71) Applicant: **Intel Corporation**, Santa Clara, CA (US)

(56) **References Cited**

(72) Inventor: **James M. Okuley**, Portland, OR (US)

U.S. PATENT DOCUMENTS

(73) Assignee: **Intel Corporation**, Santa Clara, CA (US)

D247,748 S * 4/1978 Ebner D14/376
D254,613 S * 4/1980 Ault D13/162.1
D454,565 S * 3/2002 Harriman D14/374
D476,659 S * 7/2003 Ying D14/434

(Continued)

(**) Term: **14 Years**

Primary Examiner — Katie Jane Stofko

(21) Appl. No.: **29/512,962**

(74) *Attorney, Agent, or Firm* — International IP Law Group, P.L.L.C.

(22) Filed: **Dec. 23, 2014**

(51) **LOC (12) Cl.** **14-02**

(57) **CLAIM**

(52) **U.S. Cl.**
USPC **D14/434**

The ornamental design for a monitor docking station having multiple docks for multiple tablet devices, as shown and described.

(58) **Field of Classification Search**
USPC D14/371–382, 125–129, 335–337,
D14/447–452, 492, 239, 457, 439–441,
D14/432, 251–253, 434; D8/349, 354,
D8/363, 373, 376, 380; 348/180, 184,
348/325, 739, 825; D12/407, 415;
D3/218; 341/12; D13/102, 107, 108,
D13/139.1, 162

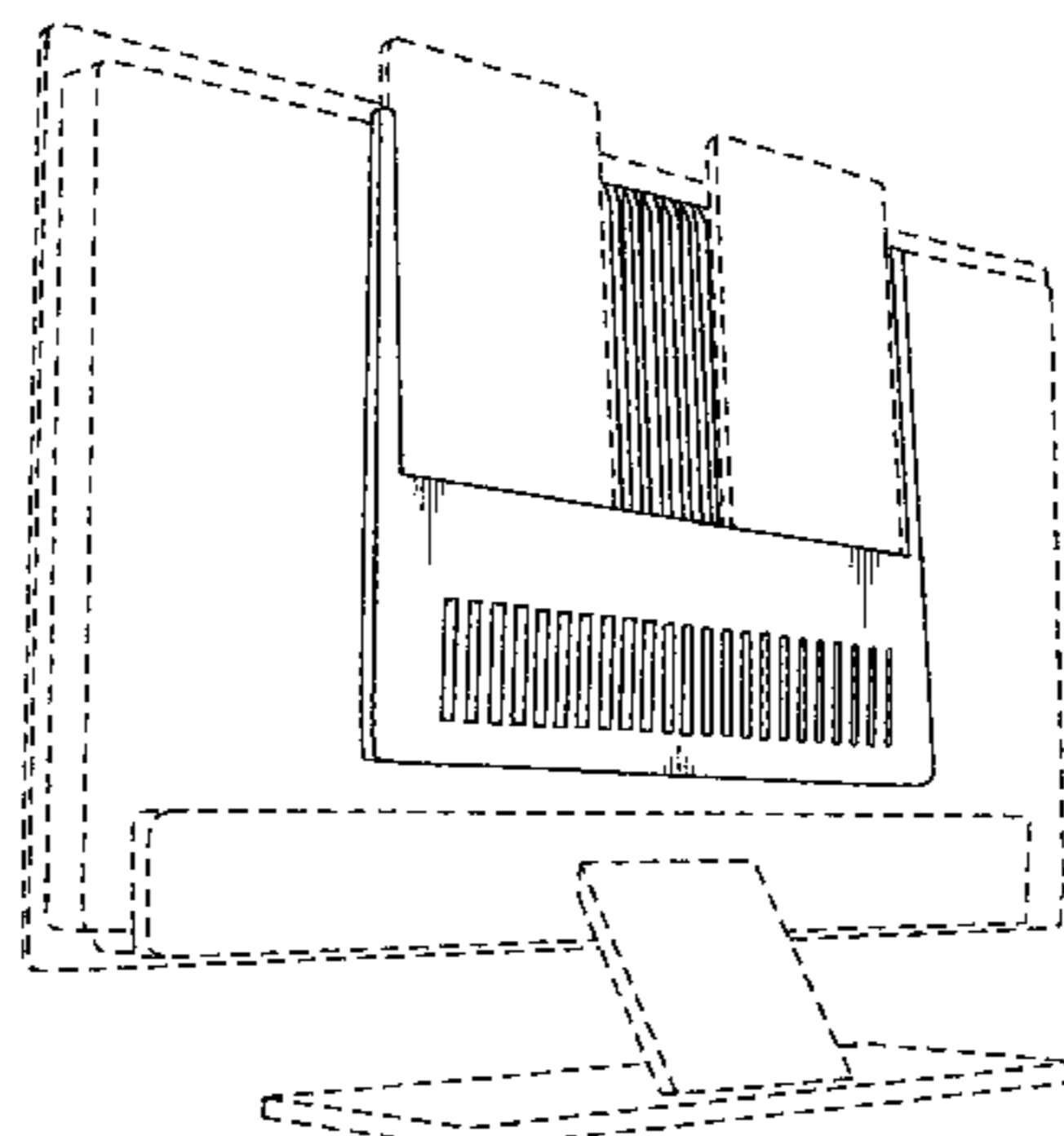
DESCRIPTION

CPC G06F 3/0412; G06F 3/016; G06F 3/0488;
G06F 3/011; G06F 3/038; G06F 3/03543;
G06F 3/0338; G06F 3/0202; G06F
3/0219; G06F 3/0213; G06F 1/1616;
G06F 3/023; G06F 3/04883; G02F
1/13338; G02F 1/1313; G02F 1/1333;
G02F 1/135; G02F 1/132; G02F
1/133308; G02F 1/134309; G02F
1/13718; G09G 3/3648; G06K 15/1252;
G03F 7/70291; F16M 13/02; F16M
13/00; F16M 11/10; F16M 11/04; F16M
2200/08; F16M 11/2021; H02G 3/126;
A47G 1/17; A47K 2201/00; B41J 2/465;
G02B 27/0172; G02B 5/30; G02B
2027/0118; G02B 27/0101; A47B

FIG. 1 is a rear perspective view of a monitor docking station having multiple docks for multiple tablet devices; FIG. 2 is a front perspective view thereof; FIG. 3 is a rear elevation view thereof; FIG. 4 is a right elevation view thereof; FIG. 5 is left elevation view thereof; FIG. 6 is a top plan view thereof; FIG. 7 is a bottom plan view thereof; FIG. 8 is an alternate rear perspective view in a tilted orientation; and, FIG. 9 is another alternate rear perspective view before the tablet is inserted into the docking station.

The broken lines showing tablets in the drawings illustrate environment that forms no part of the claimed design, while the remaining broken lines in the drawings illustrate portions of the monitor docking station having multiple docks for multiple tablet devices that form no part of the claimed design.

1 Claim, 9 Drawing Sheets



(56)

References Cited

U.S. PATENT DOCUMENTS

D571,815 S *	6/2008	Chung	D14/447
D645,401 S *	9/2011	Kurata	D13/102
D678,287 S *	3/2013	Hsu	D14/434
D687,037 S *	7/2013	Zhou	D14/434
D705,158 S *	5/2014	Gengler	D13/107
D705,722 S *	5/2014	Gengler	D13/107
D719,097 S *	12/2014	Lum	D13/139.1
D732,037 S *	6/2015	Wylie	D14/434
D755,175 S *	5/2016	Bajwa	D14/341

* cited by examiner

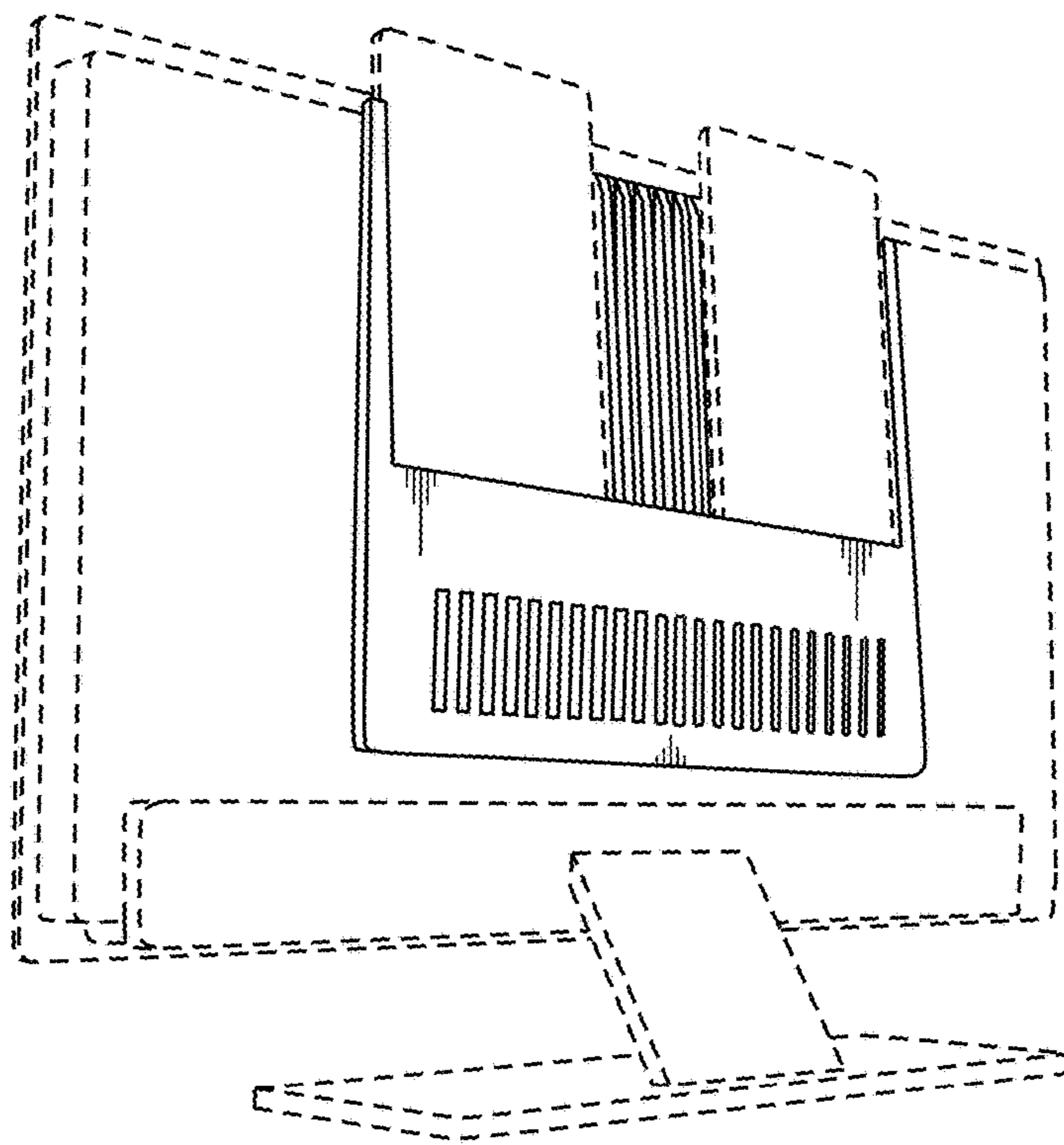


FIG. 1

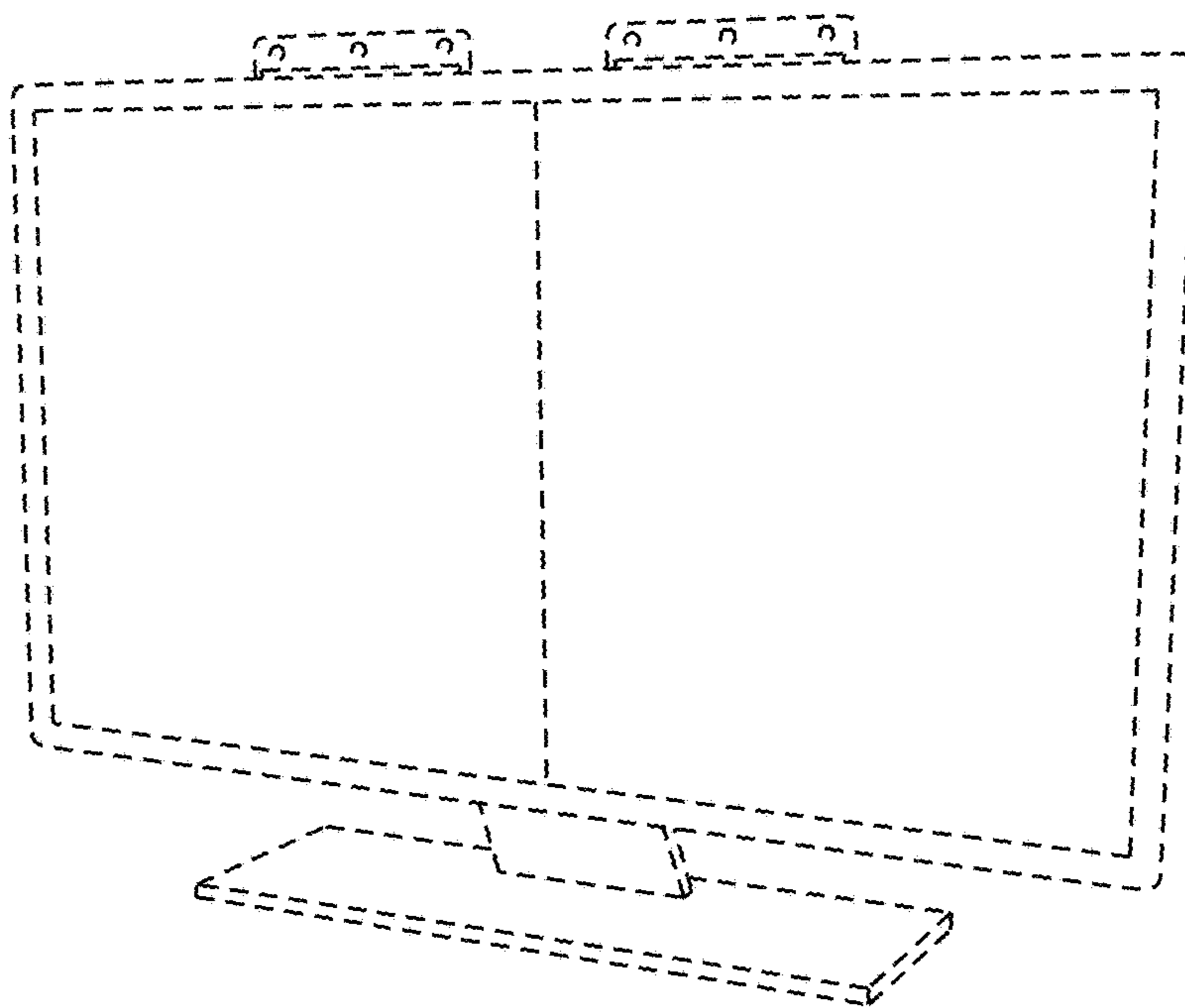


FIG. 2

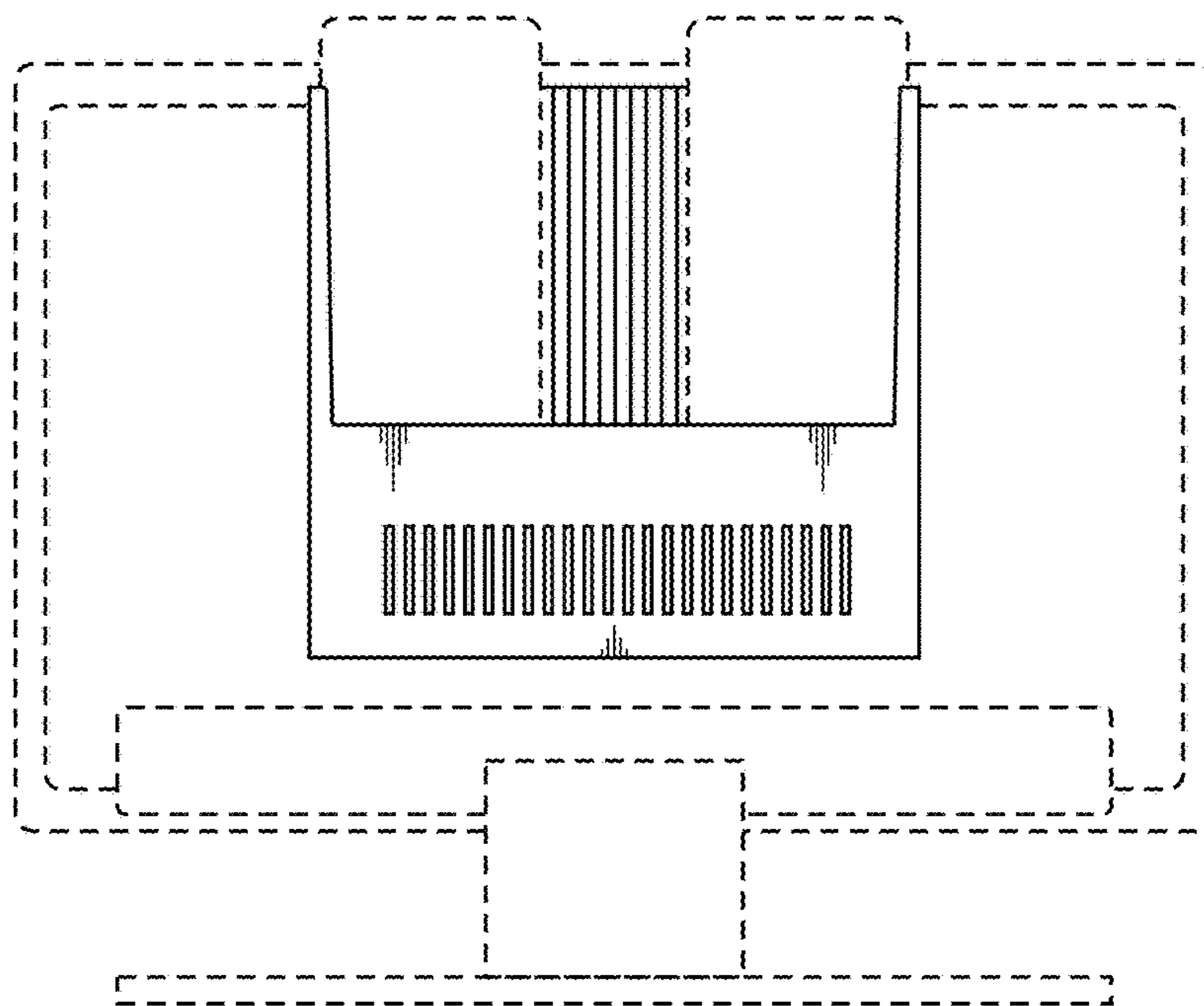


FIG. 3

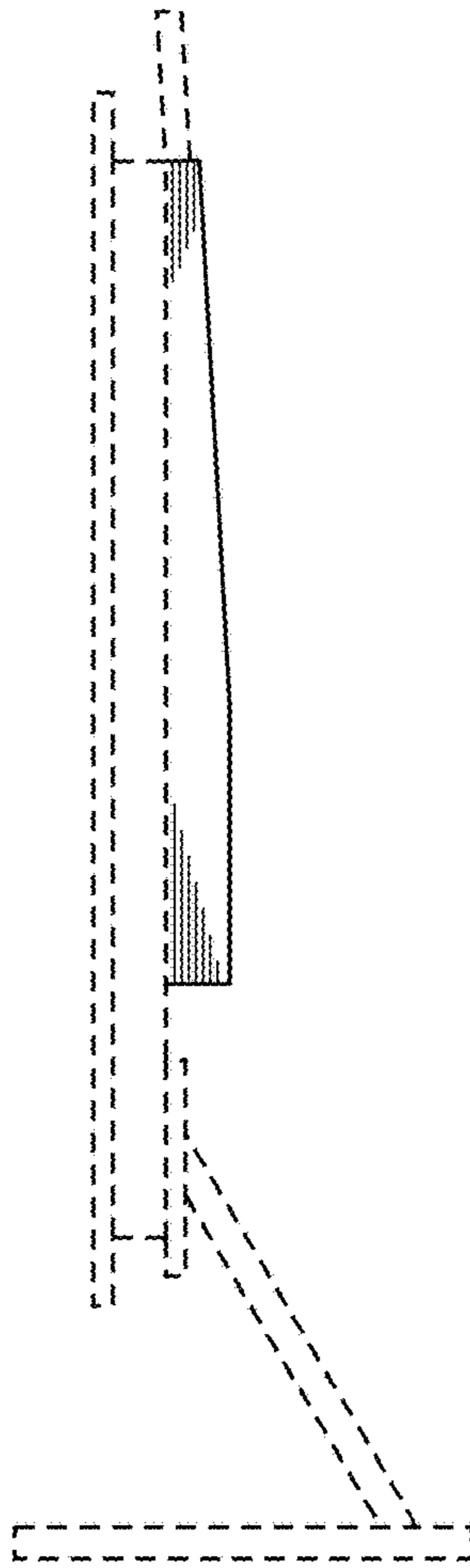


FIG. 4

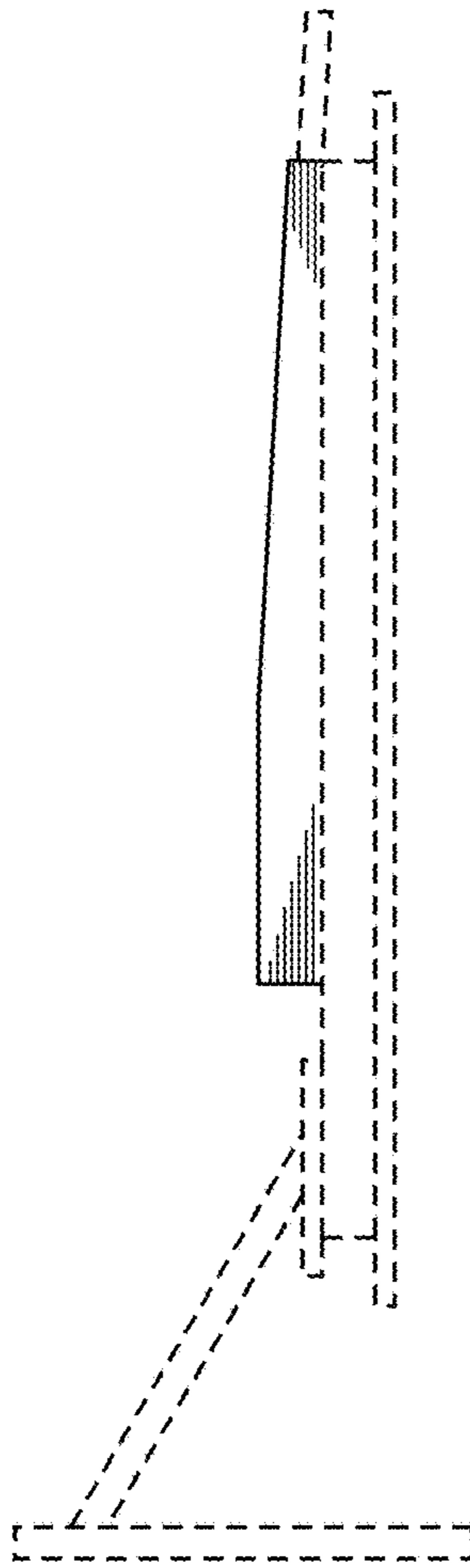


FIG. 5

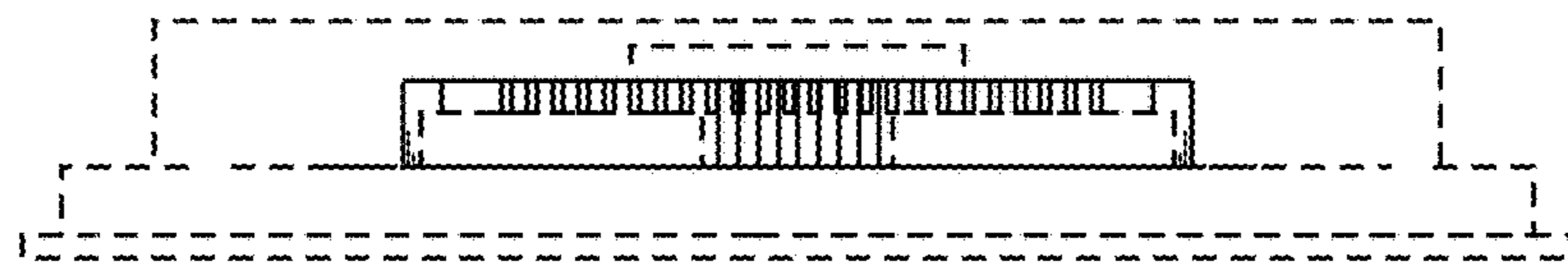


FIG. 6



FIG. 7

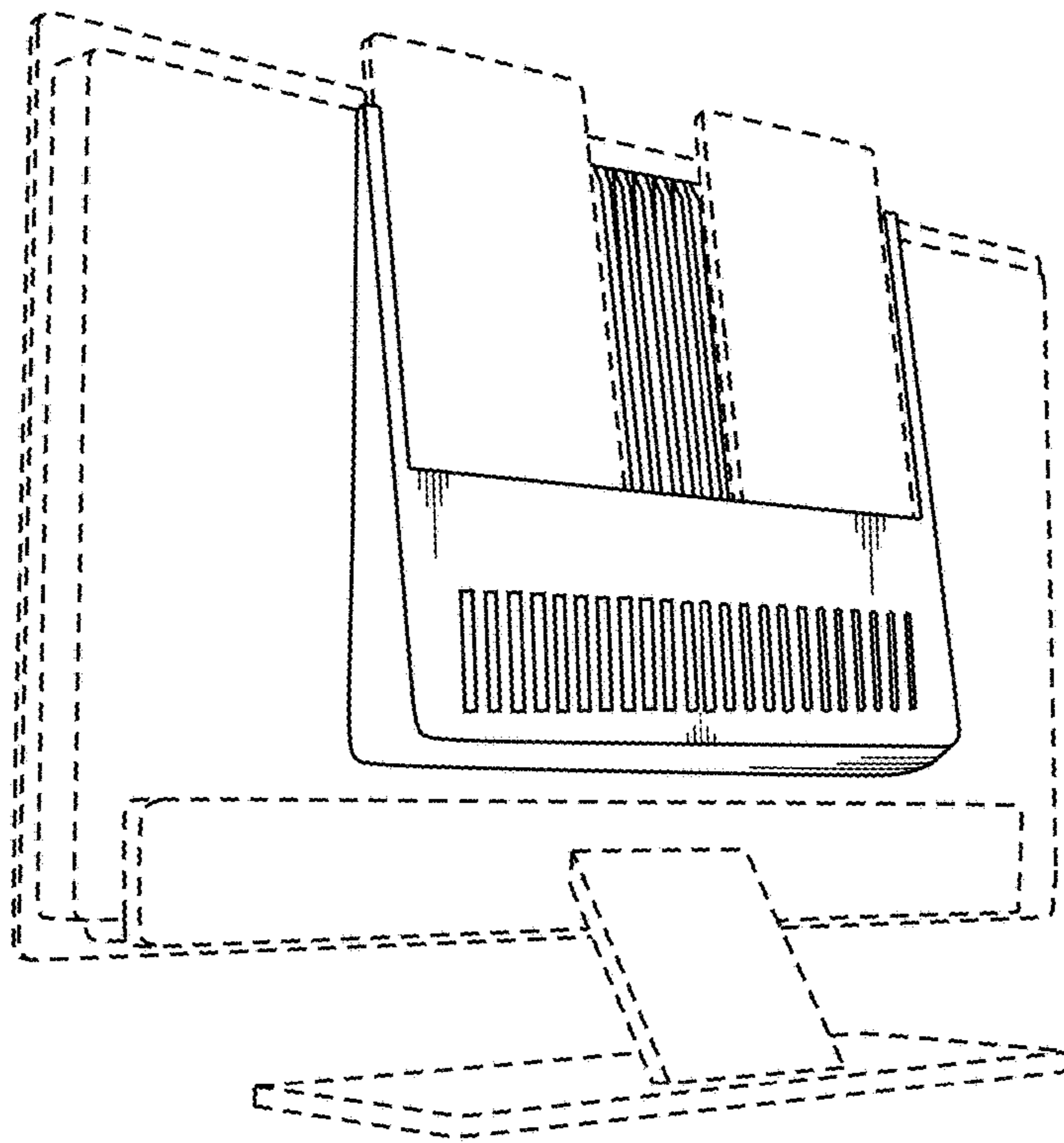


FIG. 8

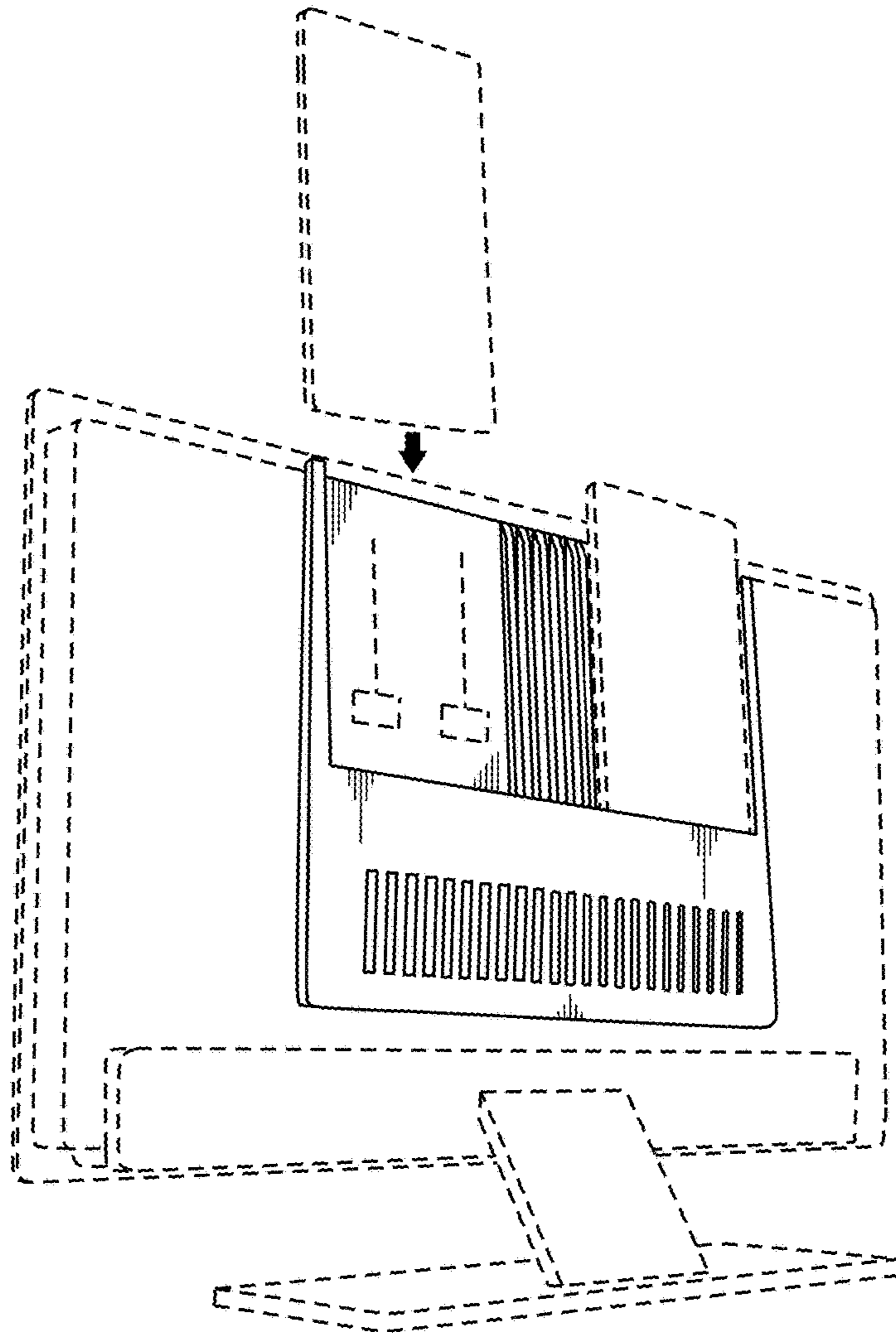


FIG. 9