

US00D860207S

(12) **United States Design Patent** (10) **Patent No.:** **US D860,207 S**  
**Peng** (45) **Date of Patent:** **\*\* Sep. 17, 2019**

(54) **SCANNER**

(71) Applicant: **AVISION INC.**, Hsinchu (TW)

(72) Inventor: **Chao-Yu Peng**, Hsinchu (TW)

(73) Assignee: **AVISION INC.**, Hsinchu (TW)

(\*\*) Term: **15 Years**

(21) Appl. No.: **29/627,300**

(22) Filed: **Nov. 25, 2017**

(30) **Foreign Application Priority Data**

May 26, 2017 (CN) ..... 2017 3 0204323  
May 26, 2017 (CN) ..... 2017 3 0205056

(51) **LOC (12) Cl.** ..... **14-02**

(52) **U.S. Cl.**  
USPC ..... **D14/422**; D14/421; D18/53; D18/55

(58) **Field of Classification Search**

USPC ..... D14/421-425; D18/55, 49, 46, 40,  
D18/36-39, 41, 44, 45, 47, 48, 50-54,  
D18/56; 235/462, 455, 470, 462.43, 482,  
235/483; 358/474, 486, 488, 496, 497,  
358/498, 452, 449, 451, 453, 1.13;  
318/685, 696; 355/81, 75; 399/405, 367,  
399/379, 380; 382/217; 715/209, 222,  
715/226, 274; 400/613, 613.1-613.4,  
400/690.1-690.4, 691-694  
CPC ..... H04N 1/00; H04N 1/12; H04N 1/00013;  
H04N 1/00015; H04N 1/00018; H04N  
1/0026; H04N 1/00557; H04N 1/00564;  
H04N 1/00567; H04N 1/0057; H04N  
1/00572; H04N 1/00586; H04N 1/00588;  
H04N 1/00591; H04N 1/00594; H04N  
1/00596; H04N 1/00604; H04N 1/00519;  
H04N 1/00559; H04N 1/1013; H04N  
1/10; H04N 1/00551; H04N 1/00278;  
H04N 2201/0456; H04N 2201/0446;  
H04N 2201/00; H04N 2201/0094; G03G  
15/0142; G03G 15/605; G03G 15/602;  
B65H 5/26; B65H 5/30; B65H 5/36;

B65H 7/00; B65H 2402/515; B65H  
2402/31; B65H 2511/20; B65H 2511/414;  
B65H 2513/42; B65H 2801/39; B65H  
2801/31; B65H 2215/00189; B65H  
2215/00194; B65H 2215/00198; B65H  
2215/00202; B65H 2215/00206; B65H  
2215/20; B65H 2301/00; B65H 2220/04;  
B65H 3/5261

See application file for complete search history.

(56) **References Cited**

U.S. PATENT DOCUMENTS

D697,967 S \* 1/2014 Fukasawa ..... D18/55  
D765,772 S \* 9/2016 Clark, III ..... D18/55

\* cited by examiner

*Primary Examiner* — Susan Moon Lee

(74) *Attorney, Agent, or Firm* — Maschoff Brennan

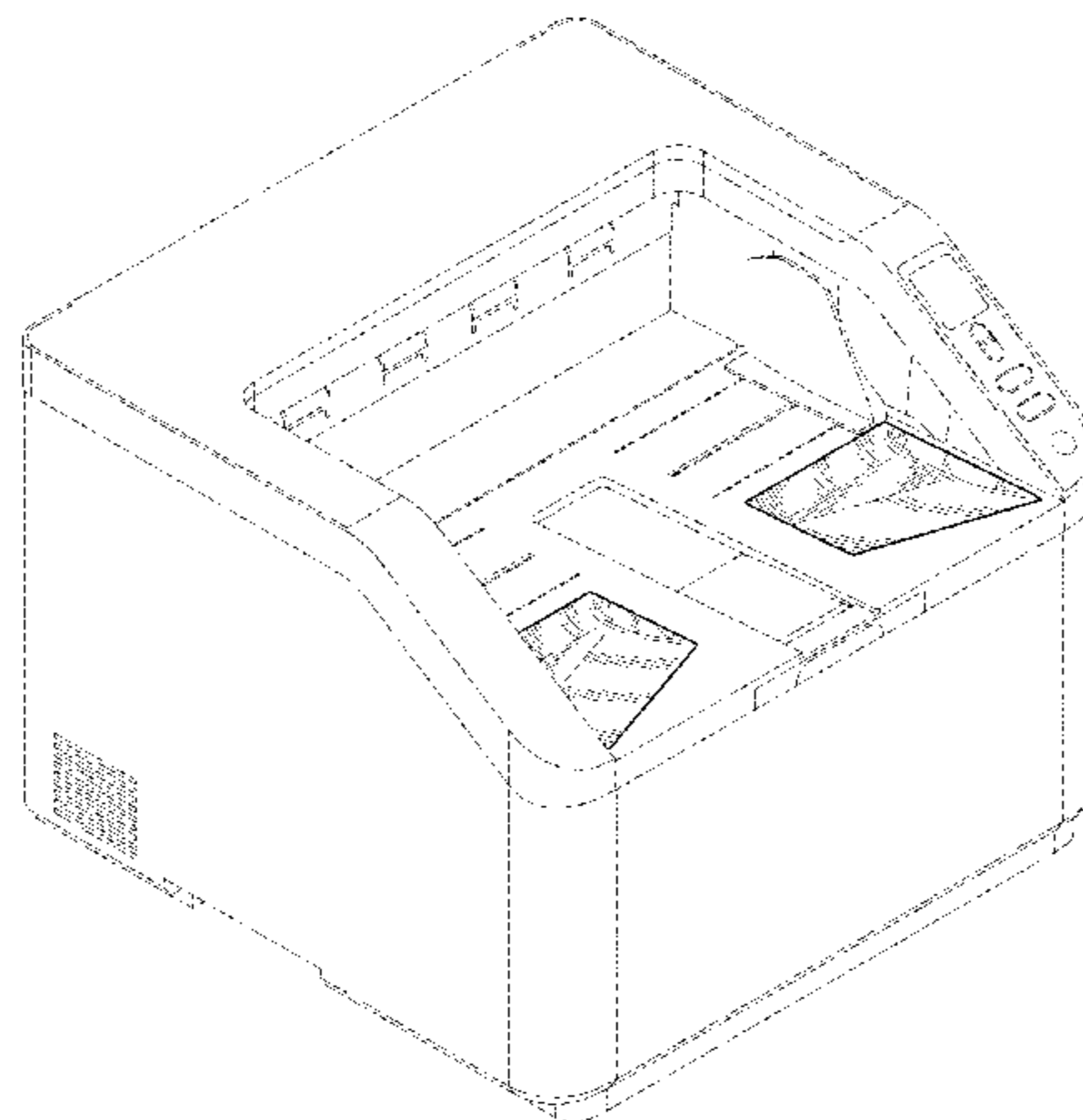
(57) **CLAIM**

The ornamental design for a “scanner”, as shown and described.

**DESCRIPTION**

FIG. 1 is a top, front and left side perspective view of a first embodiment of a scanner showing my new design;  
FIG. 2 is a front view thereof;  
FIG. 3 is a rear view thereof;  
FIG. 4 is a left side elevational view thereof;  
FIG. 5 is a right side elevational view thereof;  
FIG. 6 is a top view thereof;  
FIG. 7 is a top, front and left side perspective view of a second embodiment of a scanner showing my new design;  
FIG. 8 is a front view thereof;  
FIG. 9 is a rear view thereof;  
FIG. 10 is a left side elevational view thereof;  
FIG. 11 is a right side elevational view thereof; and,  
FIG. 12 is a top view thereof.

(Continued)



The broken lines illustrate an environmental structure and portions of the scanner which form no part of the claimed design.

**1 Claim, 12 Drawing Sheets**

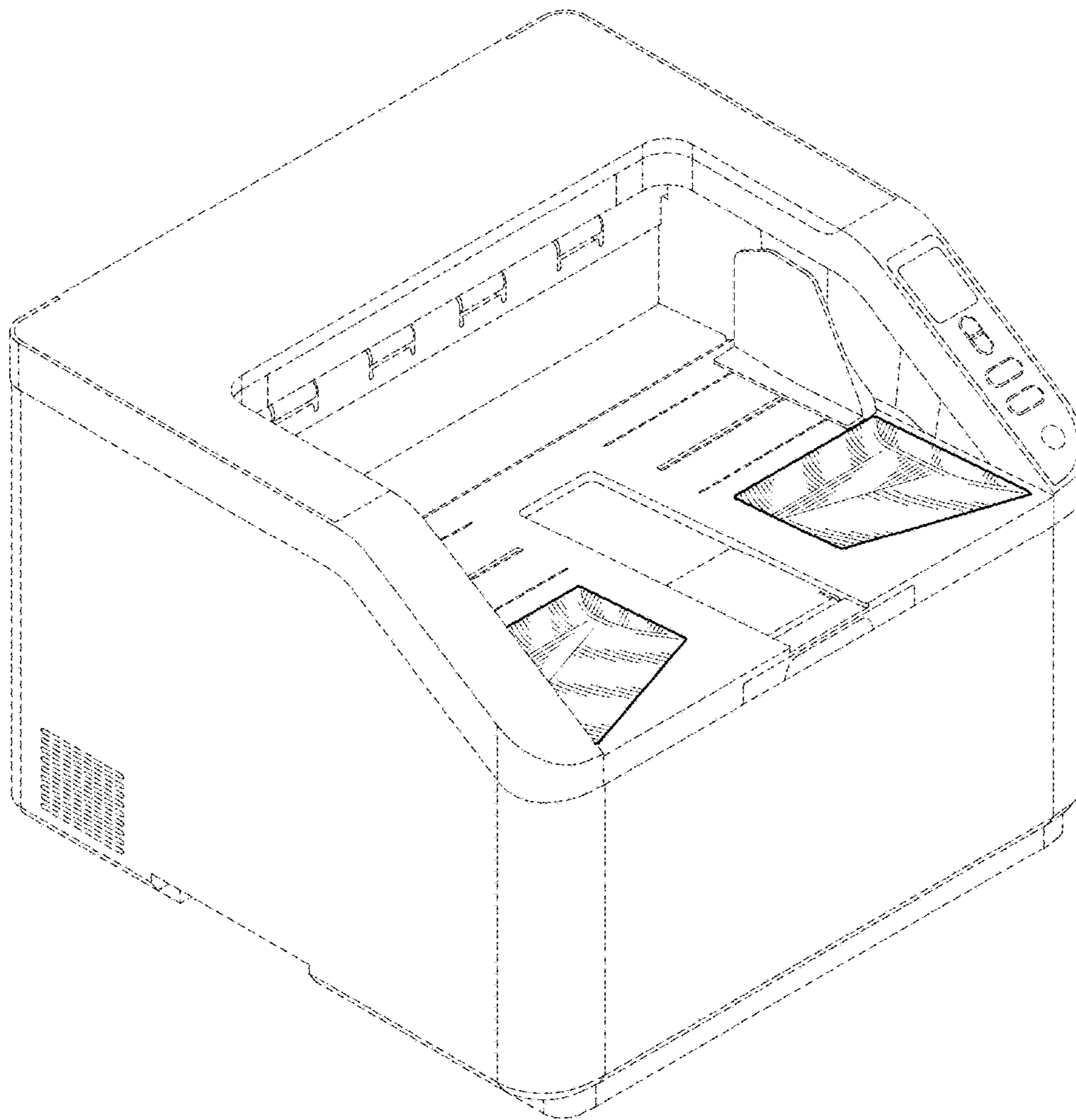


FIG. 1

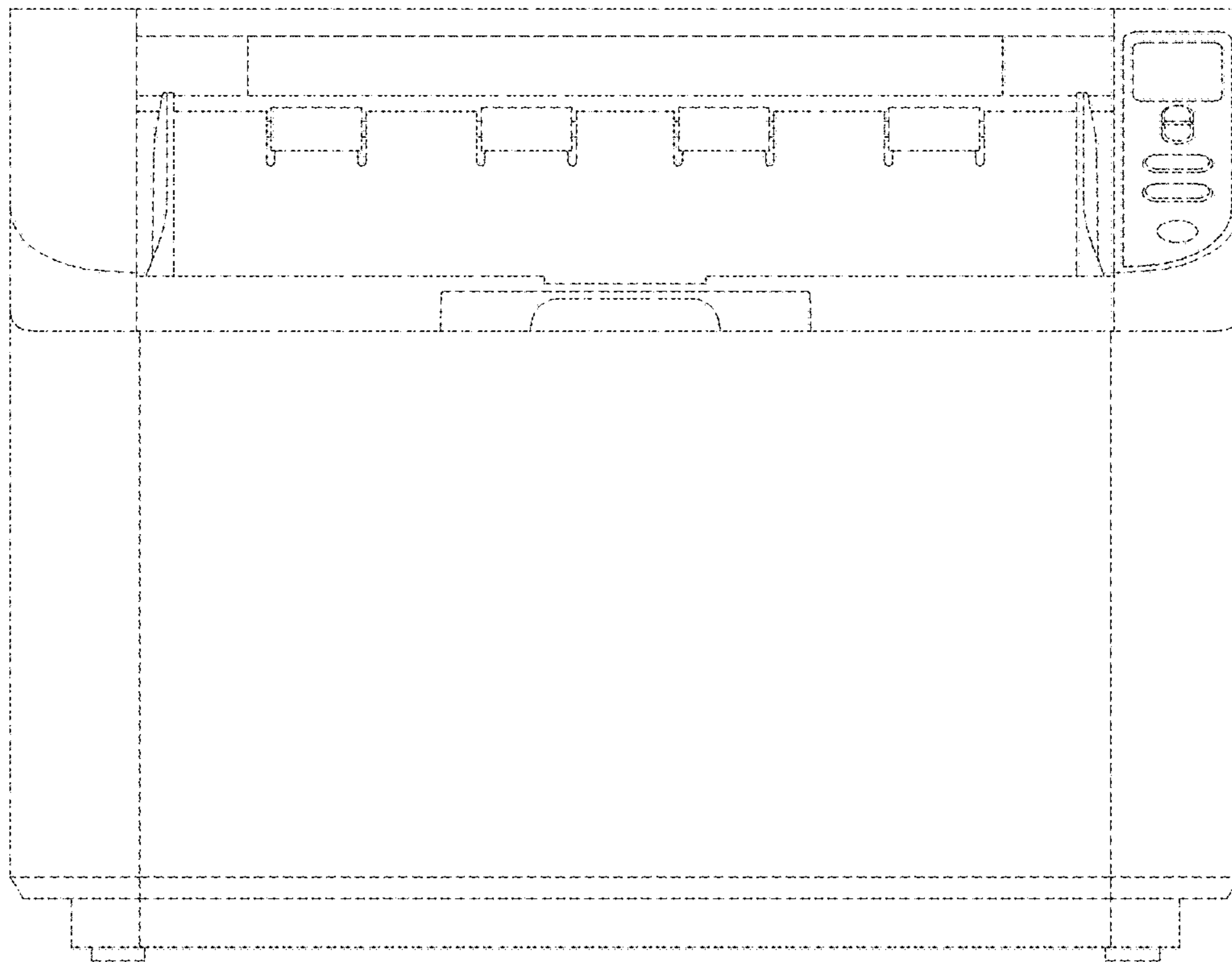


FIG. 2

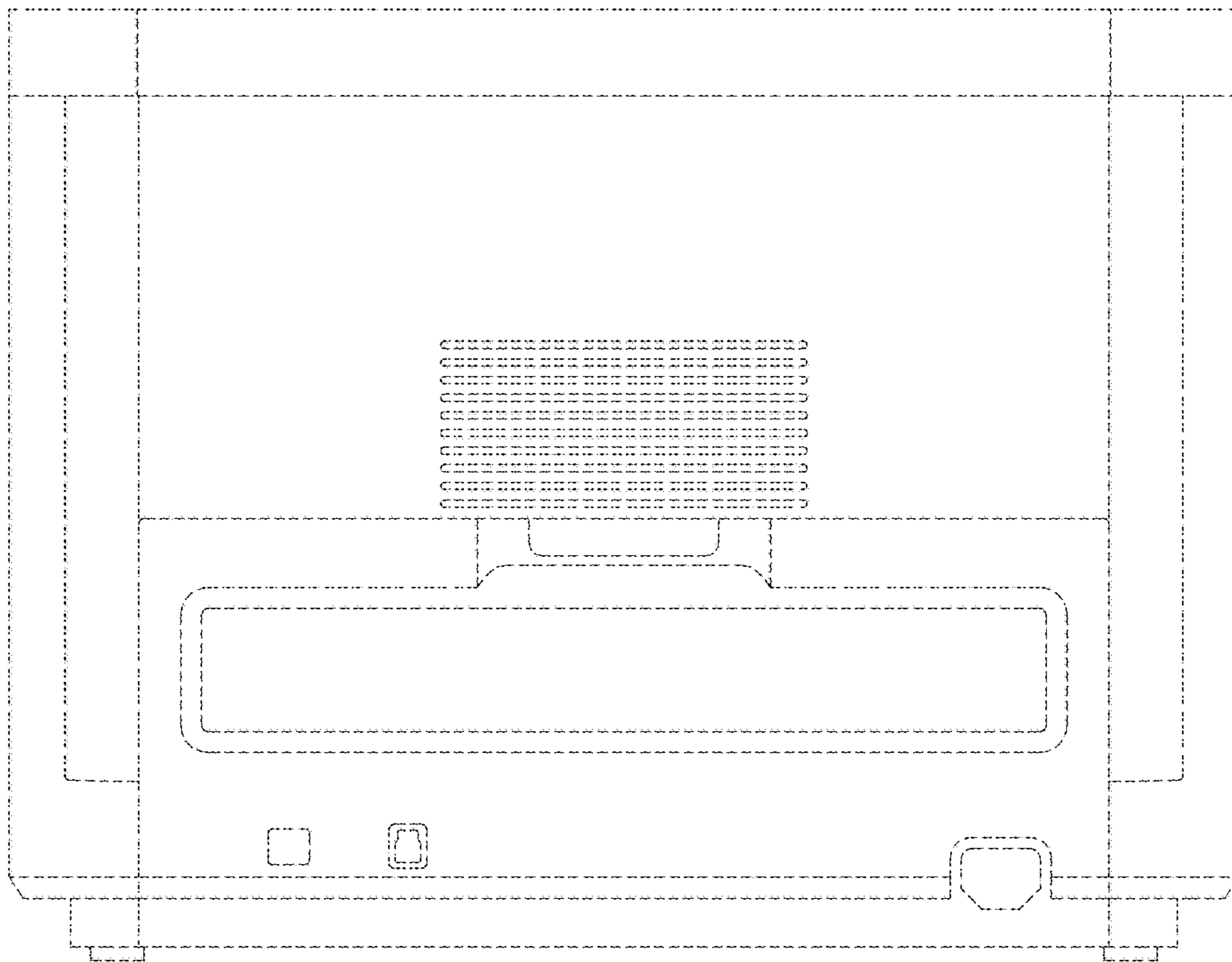


FIG. 3

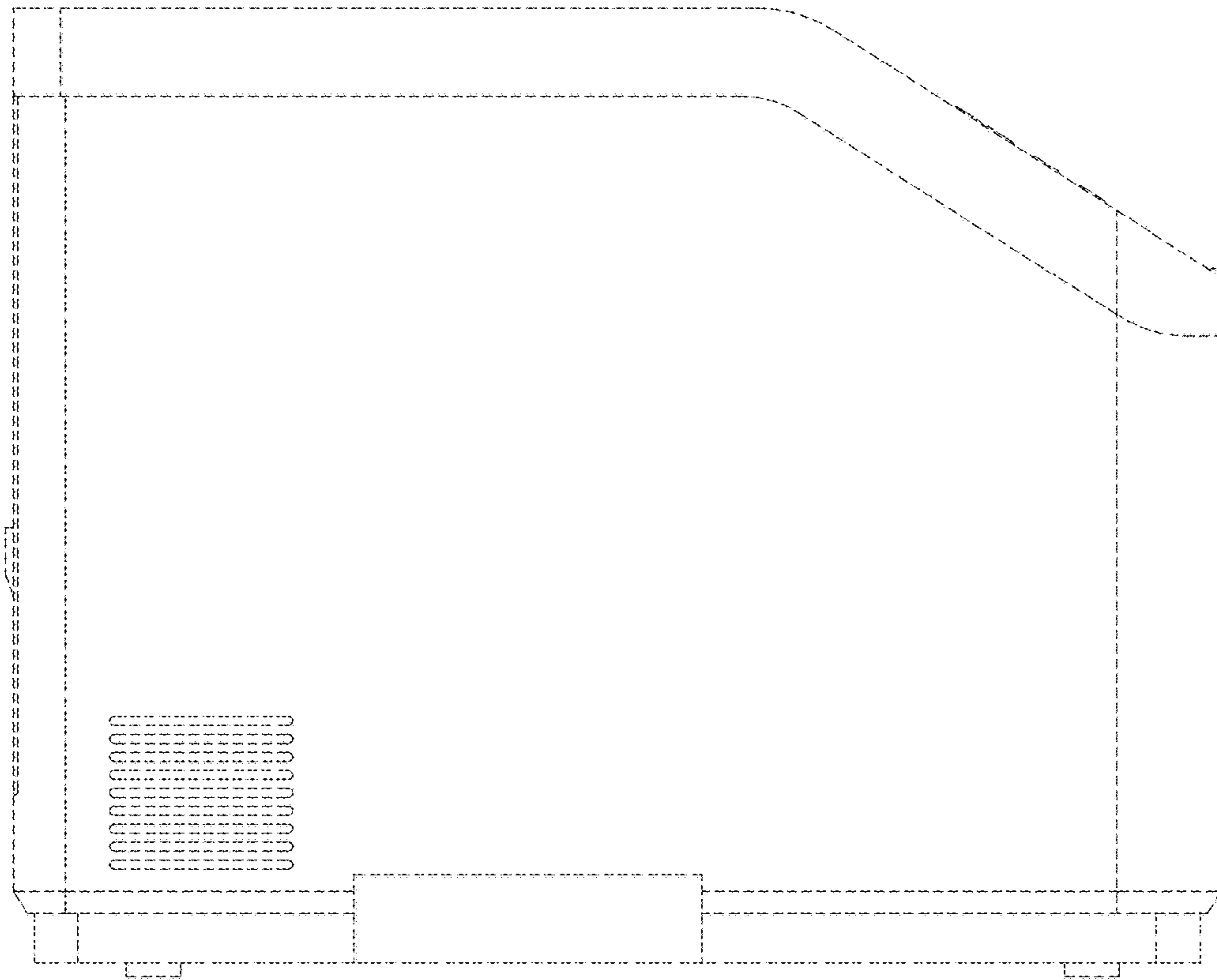


FIG. 4

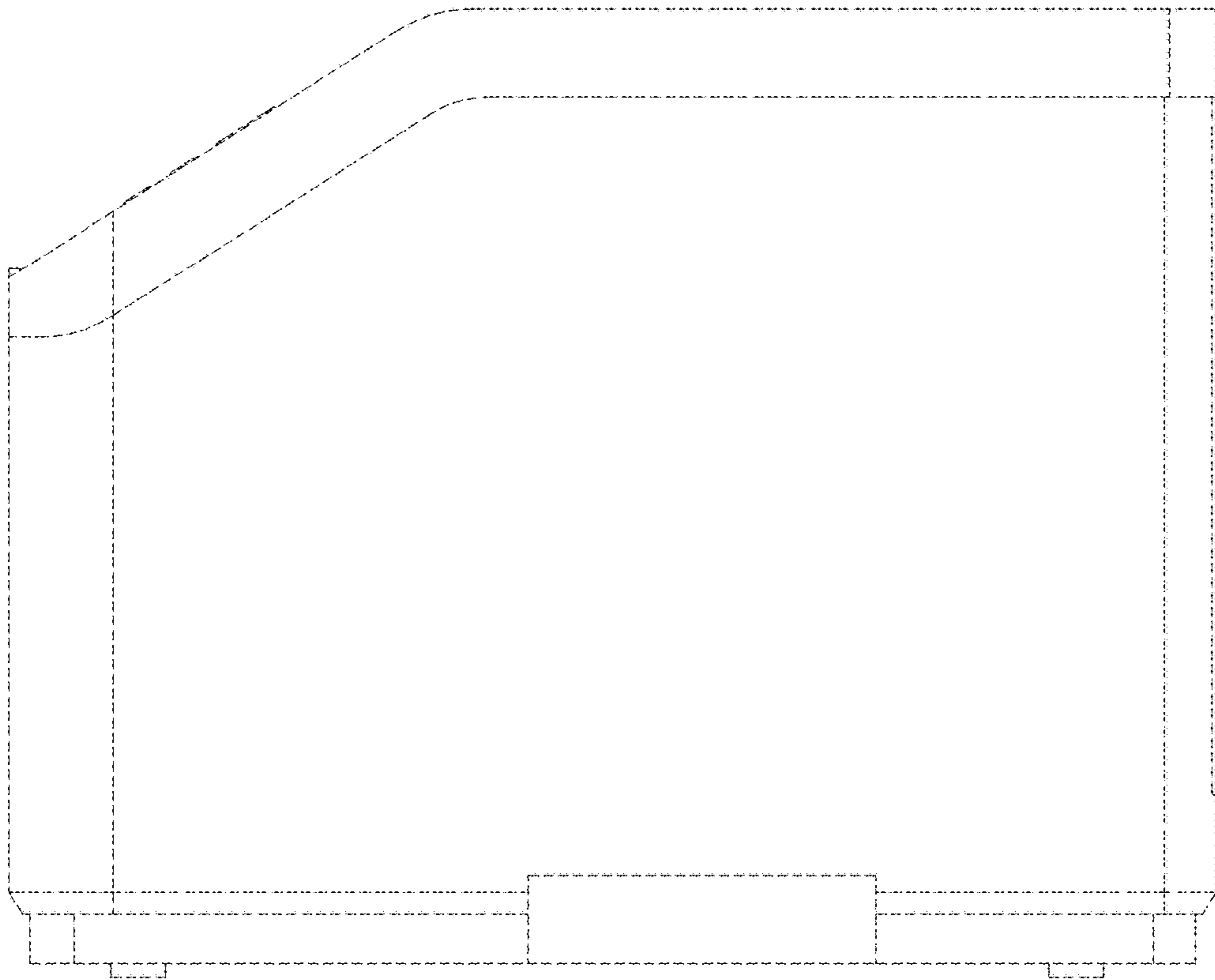


FIG. 5



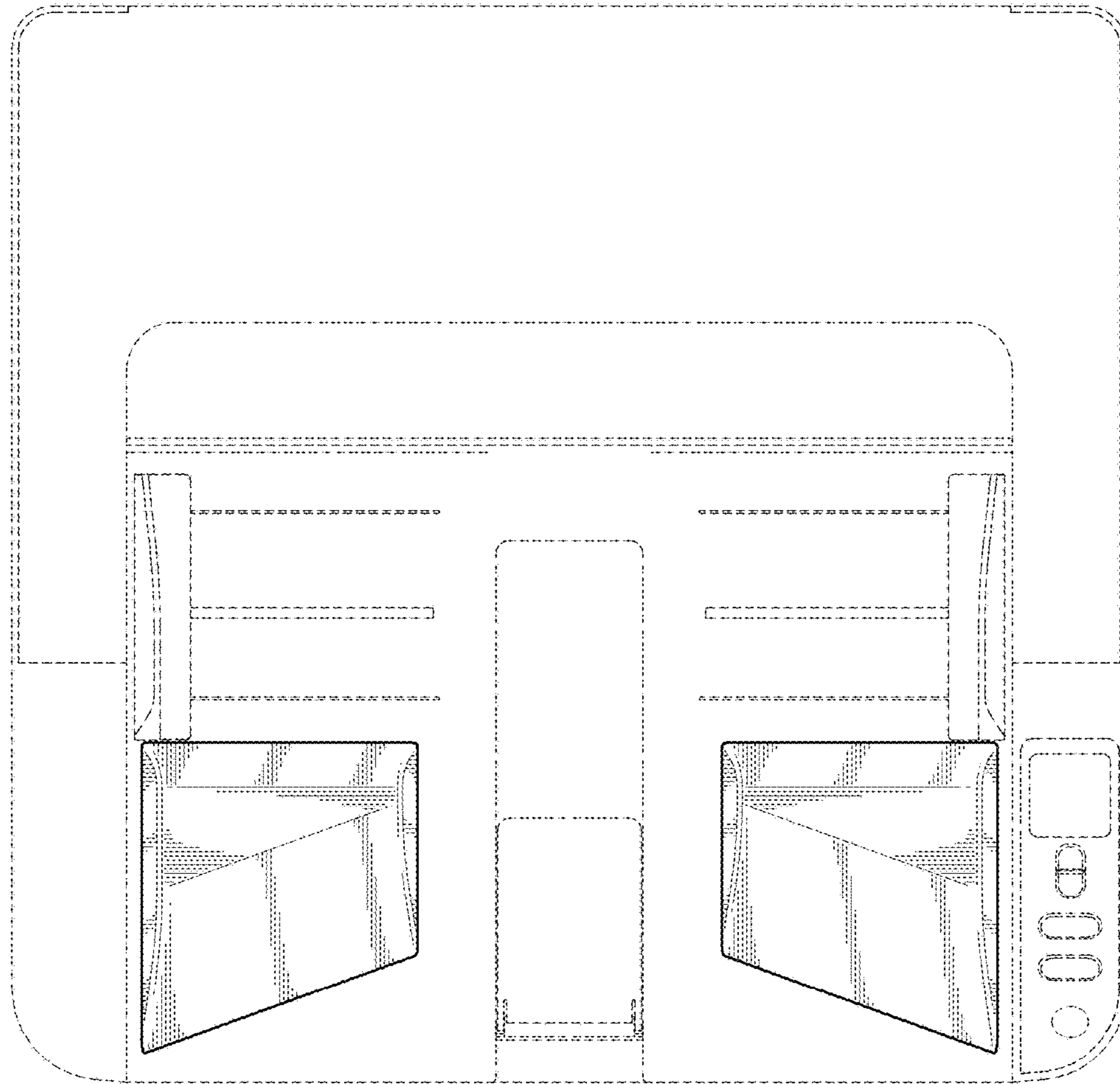


FIG. 6



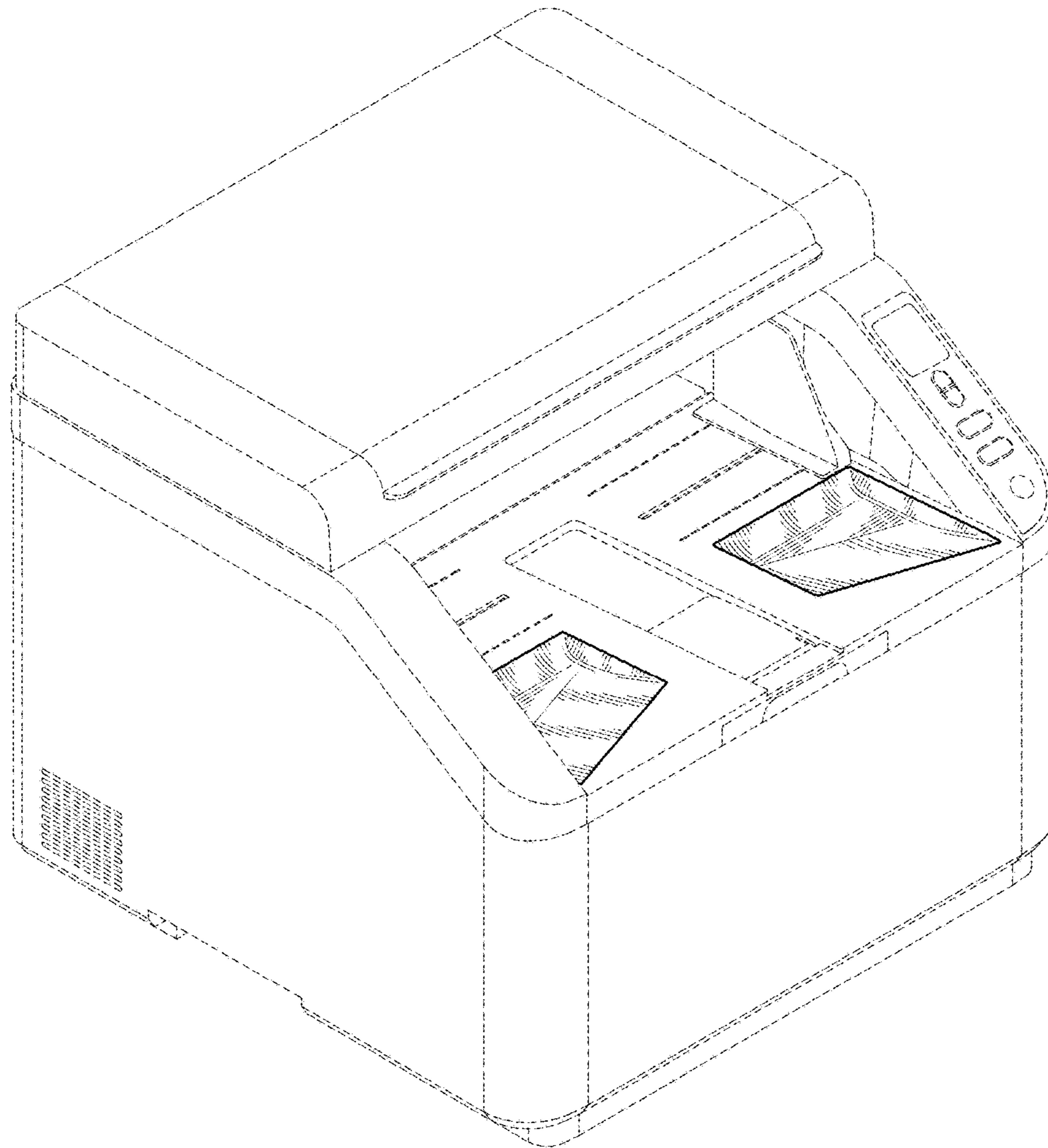


FIG. 7

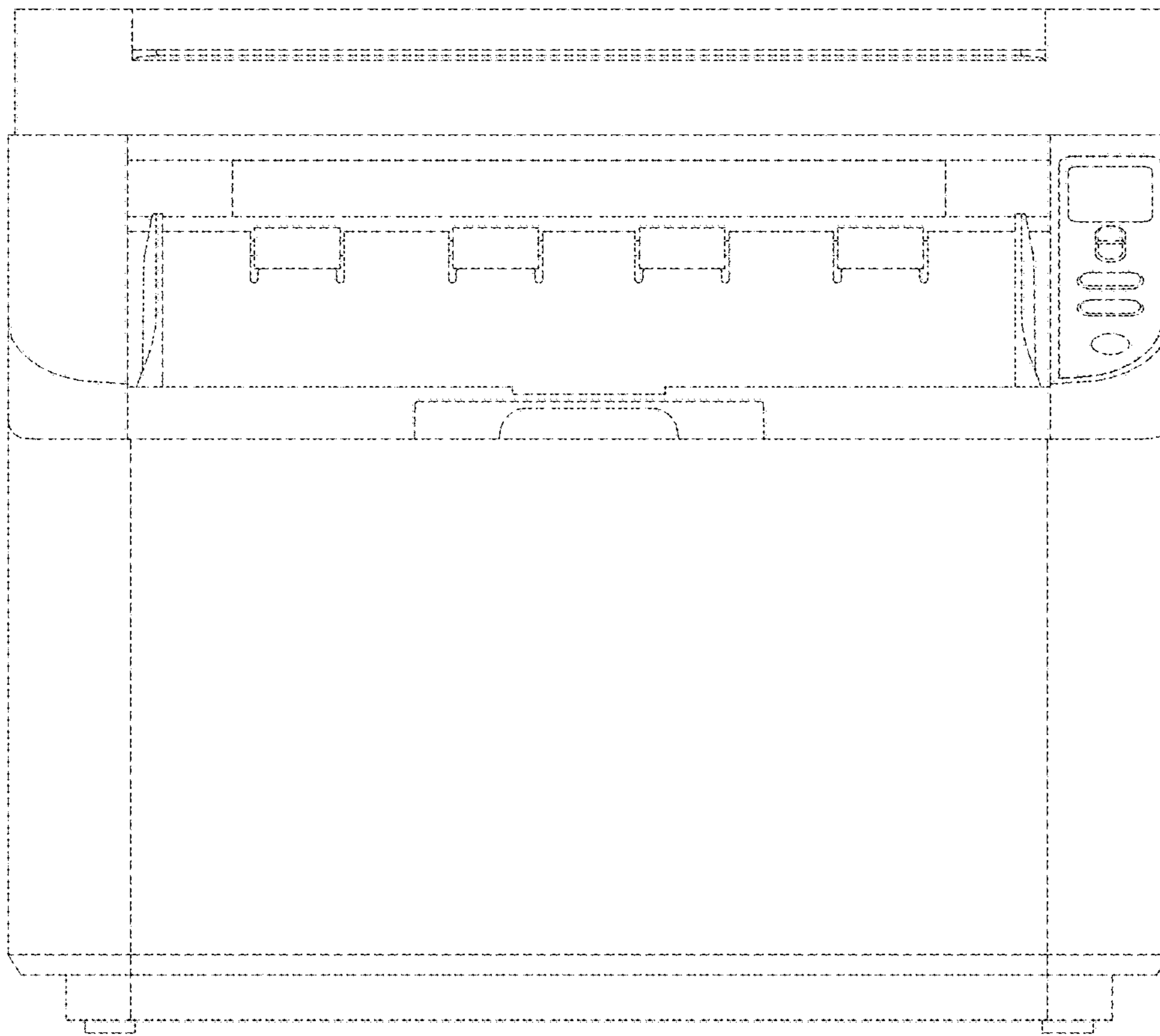


FIG. 8

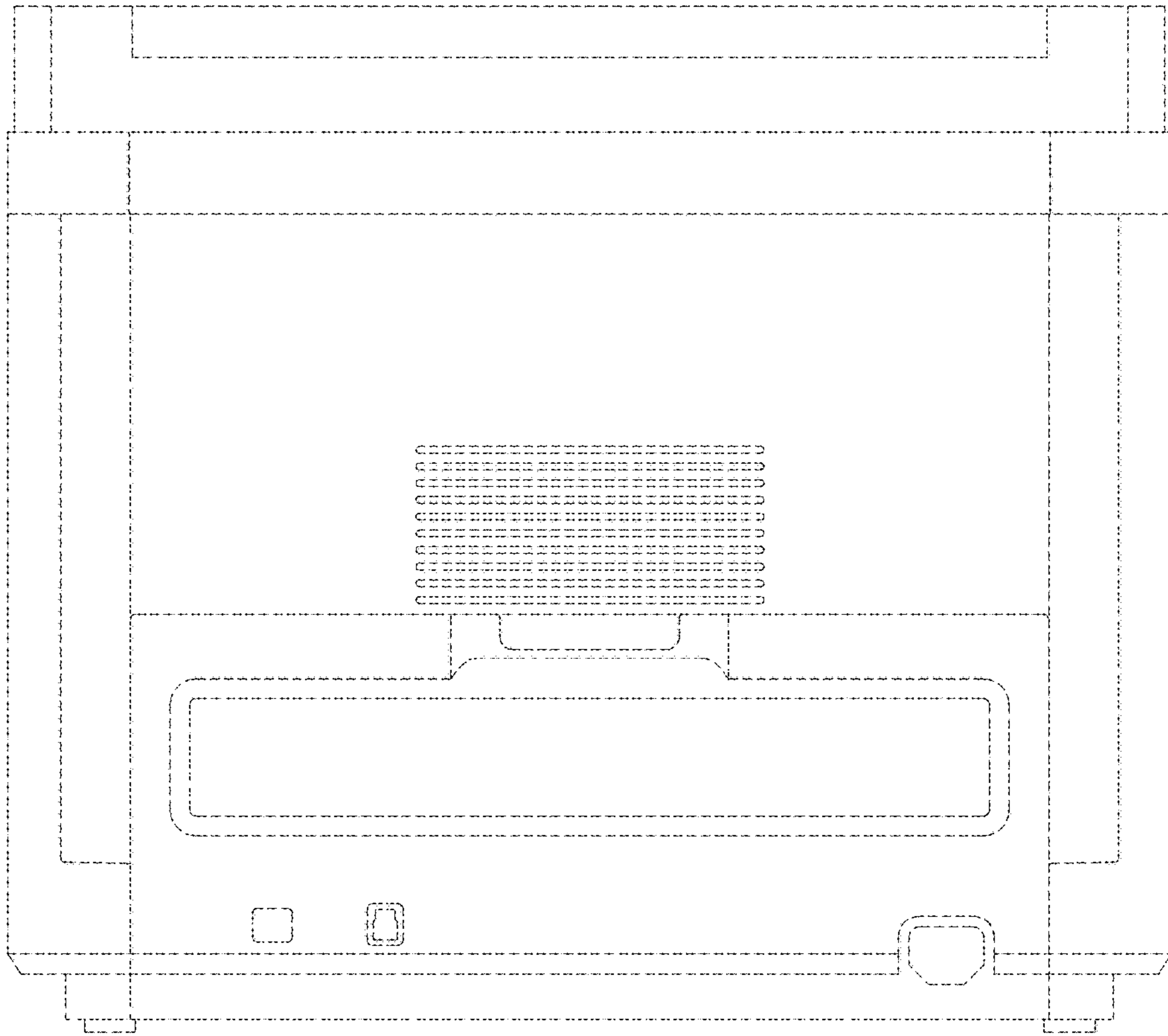


FIG. 9

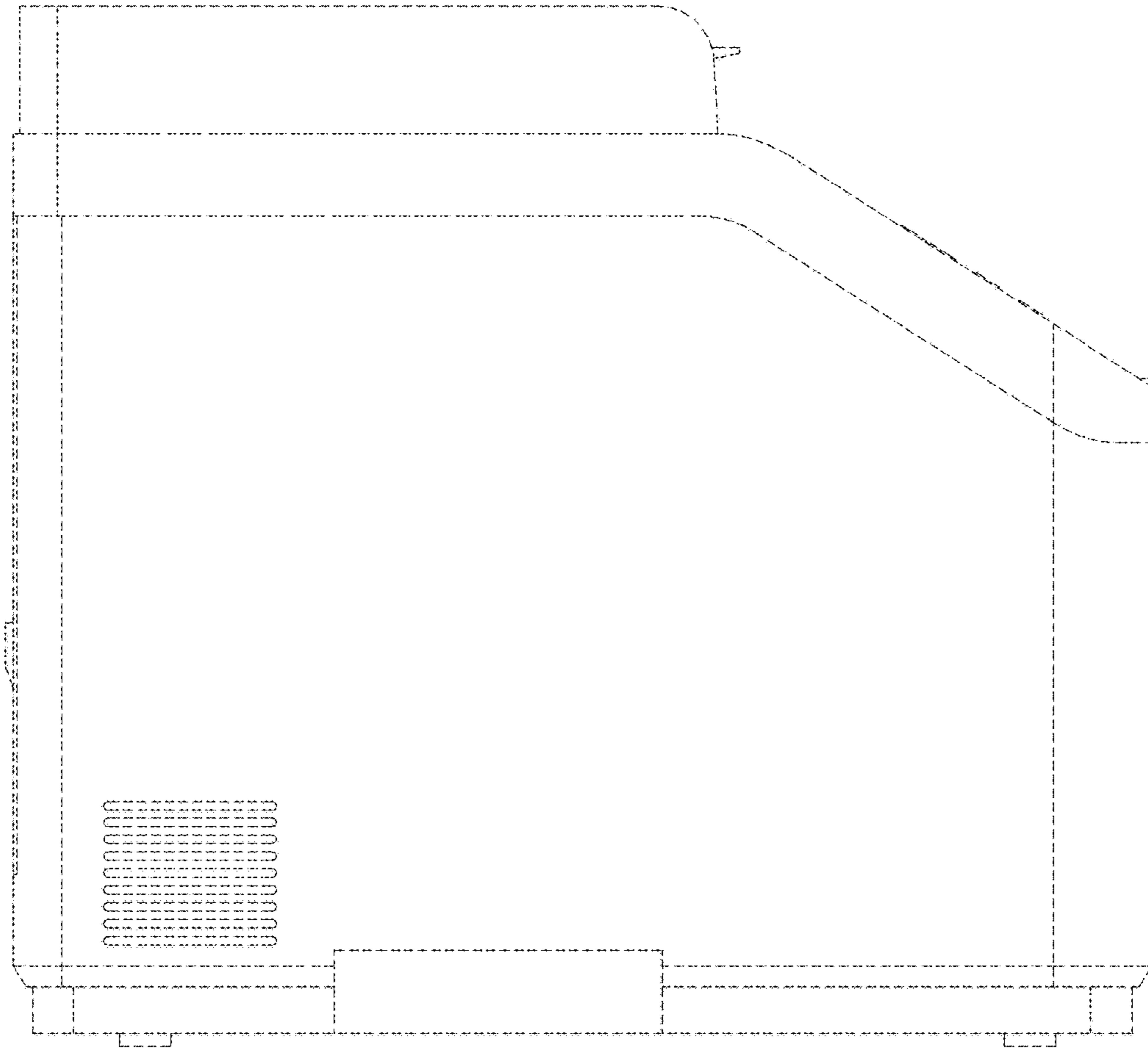


FIG. 10

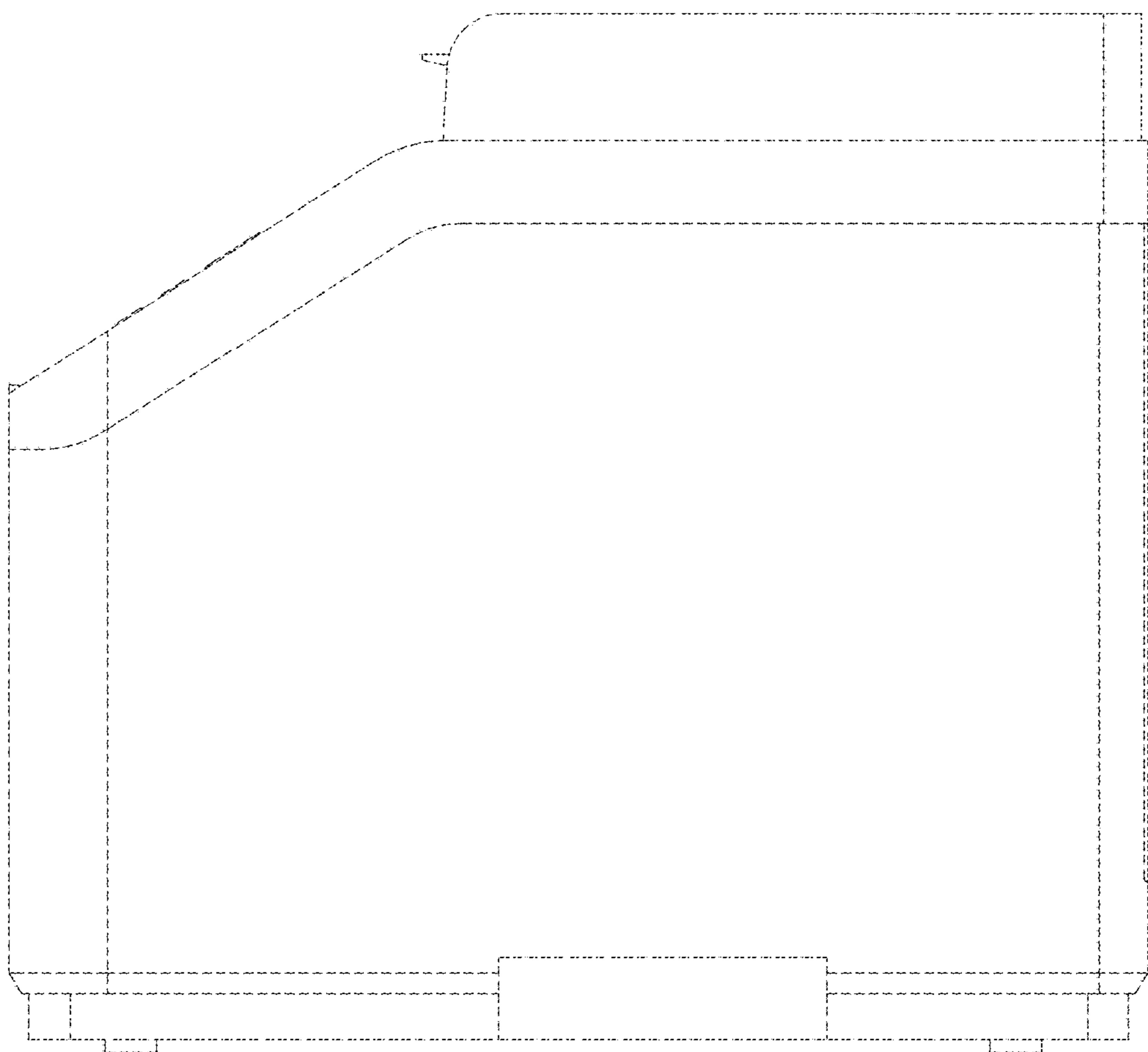


FIG. 11

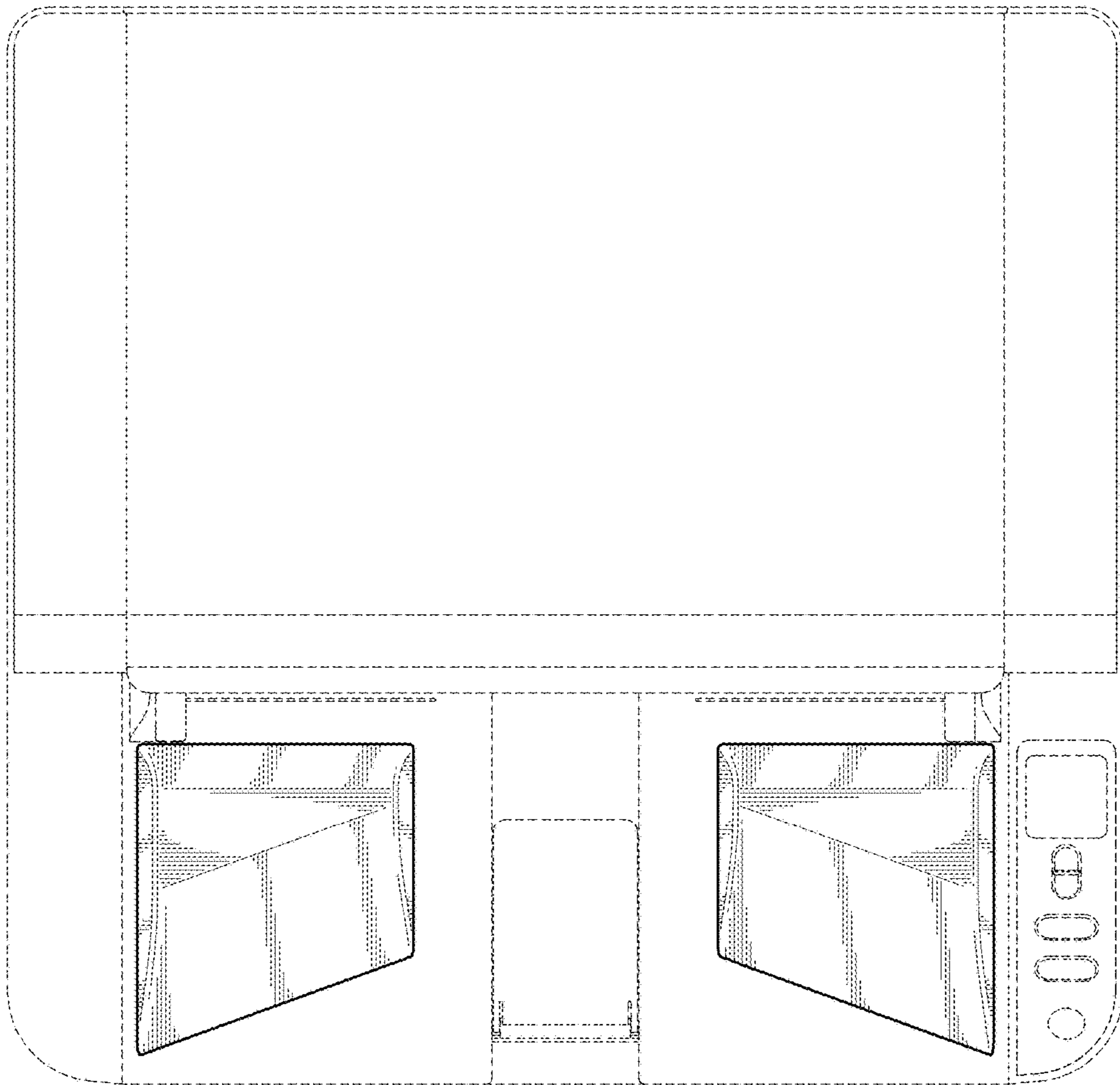


FIG. 12