



US00D860206S

(12) **United States Design Patent** (10) **Patent No.:** **US D860,206 S**
Peng (45) **Date of Patent:** **** Sep. 17, 2019**

(54) **SCANNER**

(71) Applicant: **AVISION INC.**, Hsinchu (TW)

(72) Inventor: **Chao-Yu Peng**, Hsinchu (TW)

(73) Assignee: **AVISION INC.**, Hsinchu (TW)

(**) Term: **15 Years**

(21) Appl. No.: **29/627,299**

(22) Filed: **Nov. 25, 2017**

(30) **Foreign Application Priority Data**

May 26, 2017 (CN) 2017 3 0204323

May 26, 2017 (CN) 2017 3 0205056

(51) **LOC (12) Cl.** **14-02**

(52) **U.S. Cl.**

USPC **D14/422**; D14/421; D18/53; D18/55

(58) **Field of Classification Search**

USPC D14/421-425; D18/55, 49, 46, 40,
D18/36-39, 41, 44, 45, 47, 48, 50-54,
D18/56; 235/462, 455, 470, 462.43, 482,
235/483; 358/474, 486, 488, 496, 497,
358/498, 452, 449, 451, 453, 1.13;
318/685, 696; 355/81, 75; 399/405, 367,
399/379, 380; 382/217; 715/209, 222,
715/226, 274; 400/613, 613.1-613.4,
400/690.1-690.4, 691-694

CPC H04N 1/00; H04N 1/12; H04N 1/00013;
H04N 1/00015; H04N 1/00018; H04N
1/00026; H04N 1/00557; H04N 1/00564;
H04N 1/00567; H04N 1/0057; H04N
1/00572; H04N 1/00586; H04N 1/00588;
H04N 1/00591; H04N 1/00594; H04N
1/00596; H04N 1/00604; H04N 1/00519;
H04N 1/00559; H04N 1/1013; H04N
1/10; H04N 1/00551; H04N 1/00278;
H04N 2201/0456; H04N 2201/0446;
H04N 2201/00; H04N 2201/0094; G03G
15/0142; G03G 15/605; G03G 15/602;
B65H 5/26; B65H 5/30; B65H 5/36;

B65H 7/00; B65H 2402/515; B65H
2402/31; B65H 2511/20; B65H 2511/414;
B65H 2513/42; B65H 2801/39; B65H
2801/31; B65H

(Continued)

(56) **References Cited**

U.S. PATENT DOCUMENTS

D370,471 S * 6/1996 Au D14/422
D516,623 S * 3/2006 Lee D18/55

(Continued)

Primary Examiner — Susan Moon Lee

(74) *Attorney, Agent, or Firm* — Maschoff Brennan

(57) **CLAIM**

The ornamental design for a “scanner”, as shown and described.

DESCRIPTION

FIG. 1 is a top, front and left side perspective view of a first embodiment of a scanner showing my new design;

FIG. 2 is a front view thereof;

FIG. 3 is a rear view thereof;

FIG. 4 is a left side elevational view thereof;

FIG. 5 is a right side elevational view thereof;

FIG. 6 is a top view thereof;

FIG. 7 is a bottom view thereof;

FIG. 8 is a top, front and left side perspective view of a second embodiment of a scanner showing my new design;

FIG. 9 is a front view thereof;

FIG. 10 is a rear view thereof;

FIG. 11 is a left side elevational view thereof;

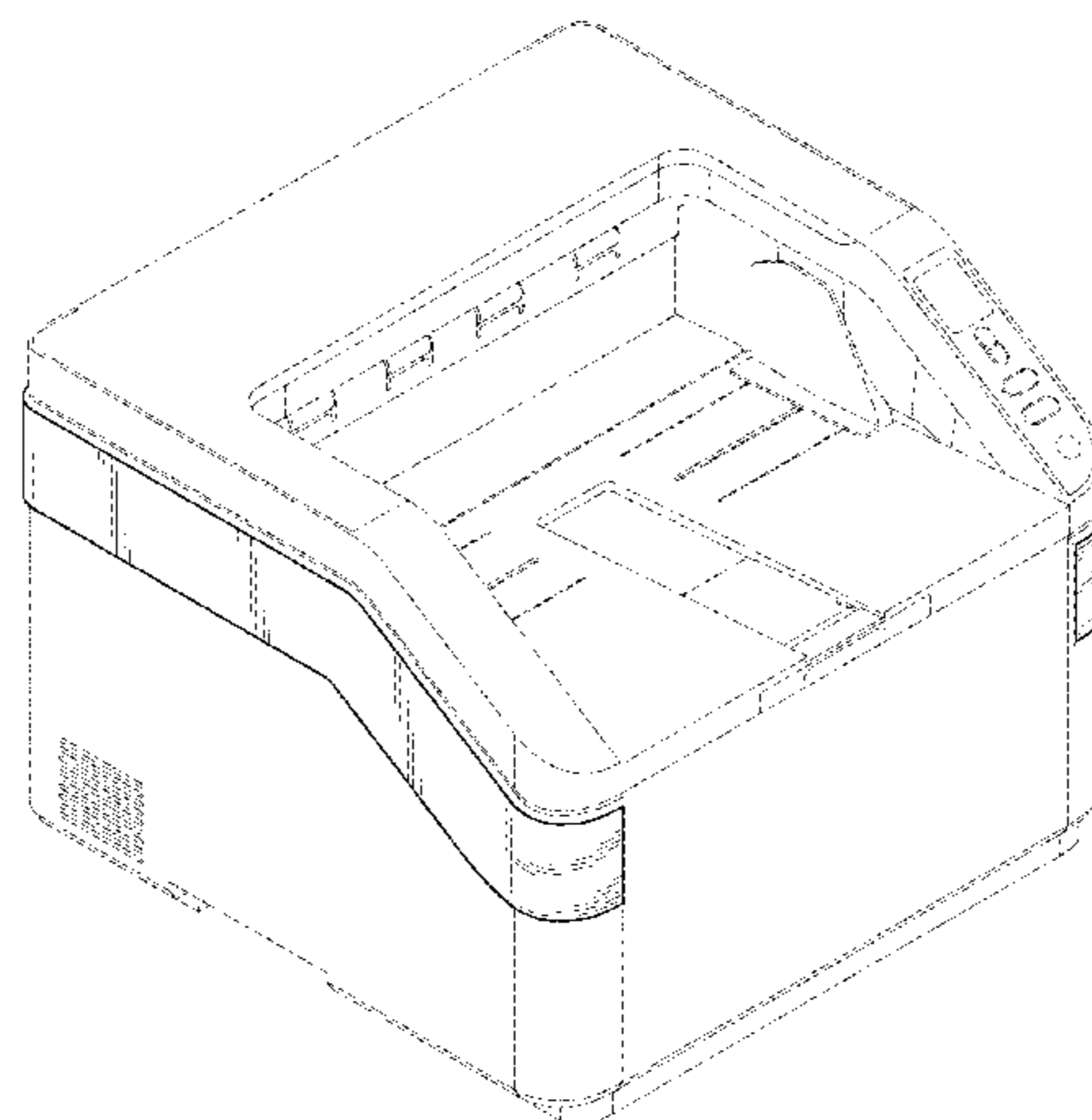
FIG. 12 is a right side elevational view thereof;

FIG. 13 is a top view thereof; and,

FIG. 14 is a bottom view thereof.

The broken lines illustrate an environmental structure and portions of the scanner which form no part of the claimed design.

1 Claim, 14 Drawing Sheets



(58) **Field of Classification Search**

CPC 2215/00189; B65H 2215/00194; B65H
2215/00198; B65H 2215/00202; B65H
2215/00206; B65H 2215/20; B65H
2301/00; B65H 2220/04; B65H 3/5261

See application file for complete search history.

(56) **References Cited**

U.S. PATENT DOCUMENTS

D528,594	S	*	9/2006	Terenzio	D18/50
D536,731	S	*	2/2007	Tate	D18/50
D554,697	S	*	11/2007	Leman	D18/50
D574,886	S	*	8/2008	Mase	D18/55
D599,848	S	*	9/2009	Suzuki	D18/55
D613,792	S	*	4/2010	Suzuki	D18/55
D622,762	S	*	8/2010	Egami	D18/55
D633,555	S	*	3/2011	Egami	D18/50
D643,875	S	*	8/2011	Suzuki	D18/55
D699,724	S	*	2/2014	Isozaki	D14/421
D701,561	S	*	3/2014	Jihoon	D18/50
D715,357	S	*	10/2014	Kim	D18/55
D746,907	S	*	1/2016	Kim	D18/50
D760,317	S	*	6/2016	Brighenti	D18/55
D794,707	S	*	8/2017	Nanno	D18/50
D811,403	S	*	2/2018	Katori	D14/422
D814,562	S	*	4/2018	Larson	D18/55
D815,195	S	*	4/2018	Chin	D18/50
D817,391	S	*	5/2018	Chin	D18/55

* cited by examiner

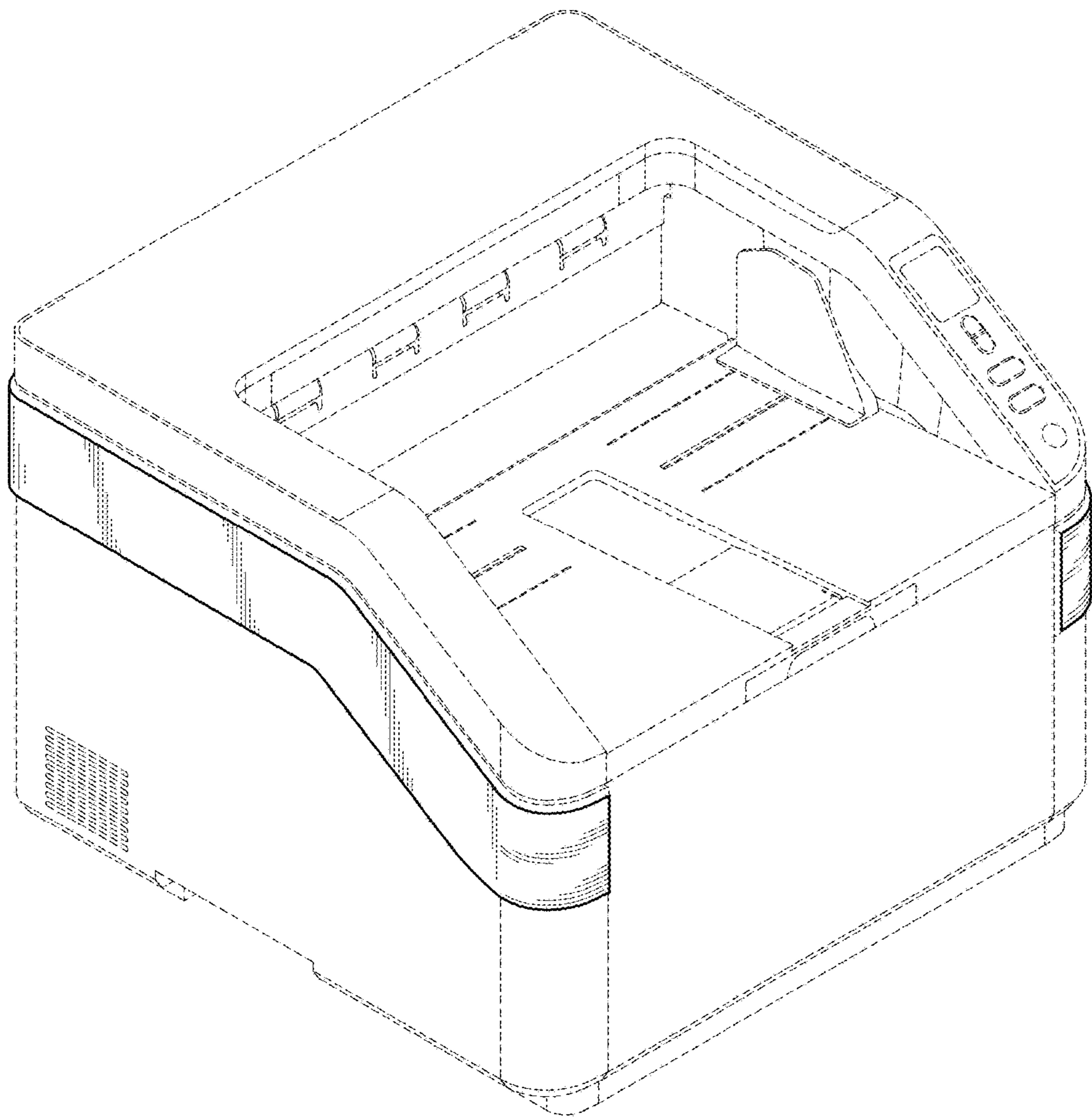


FIG. 1

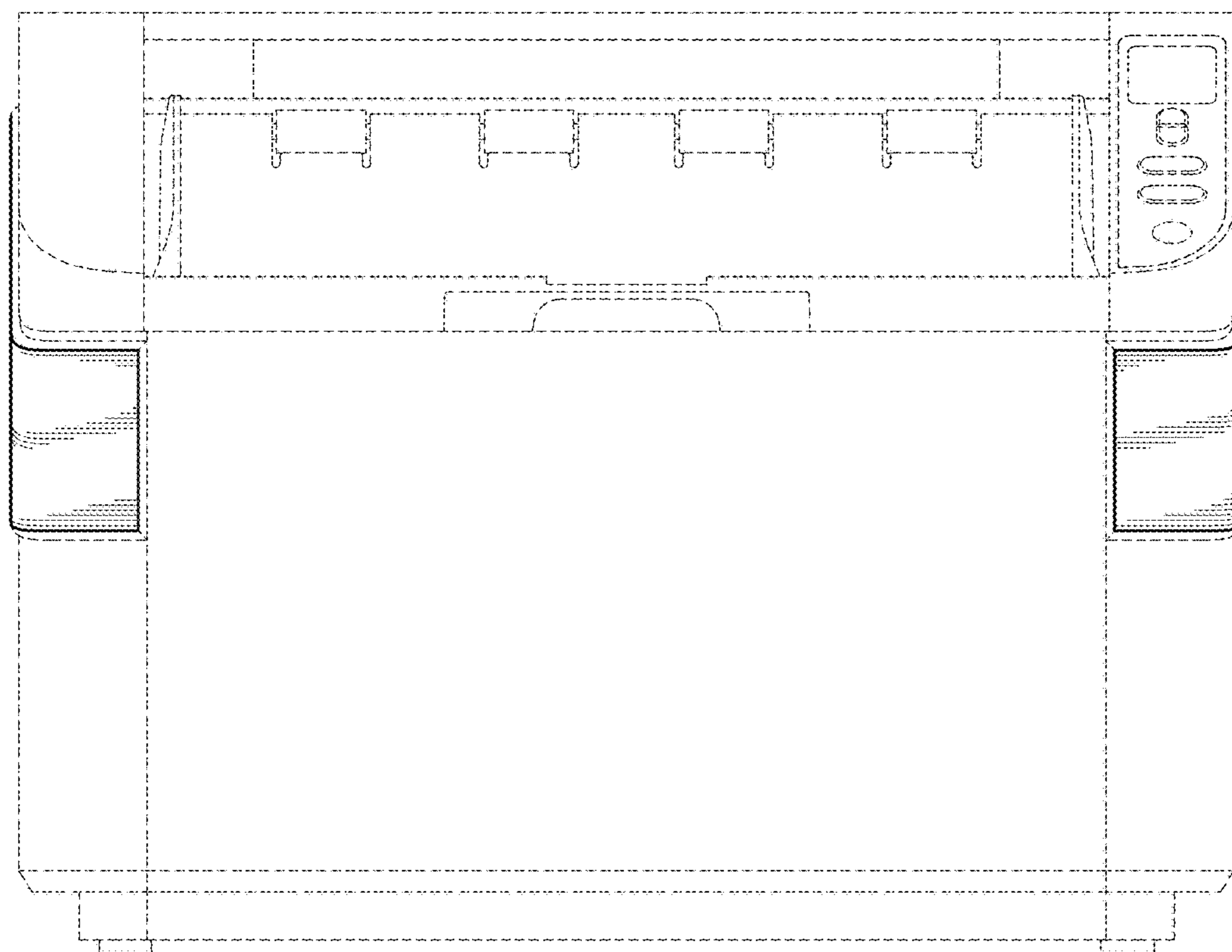


FIG. 2

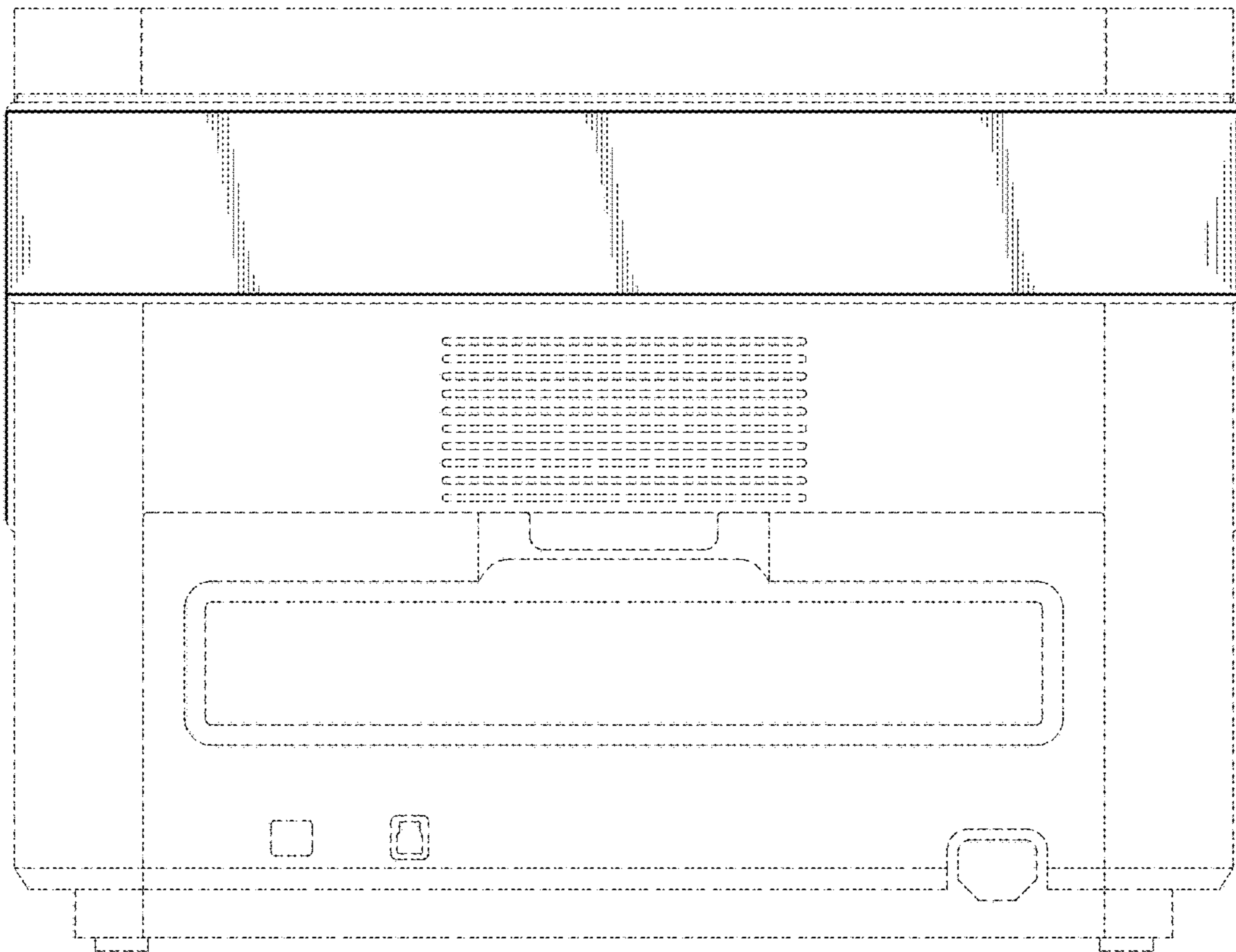


FIG. 3

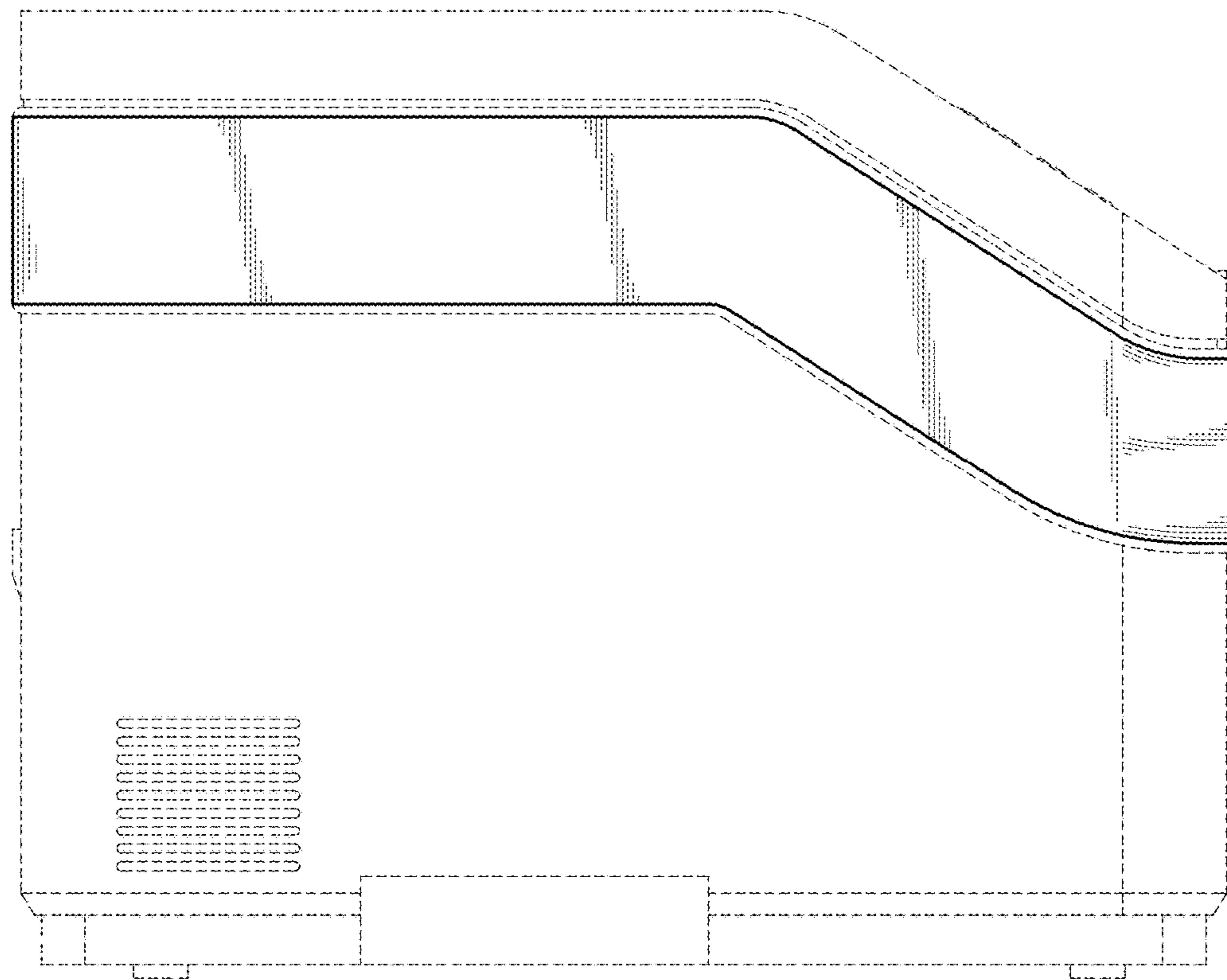


FIG. 4

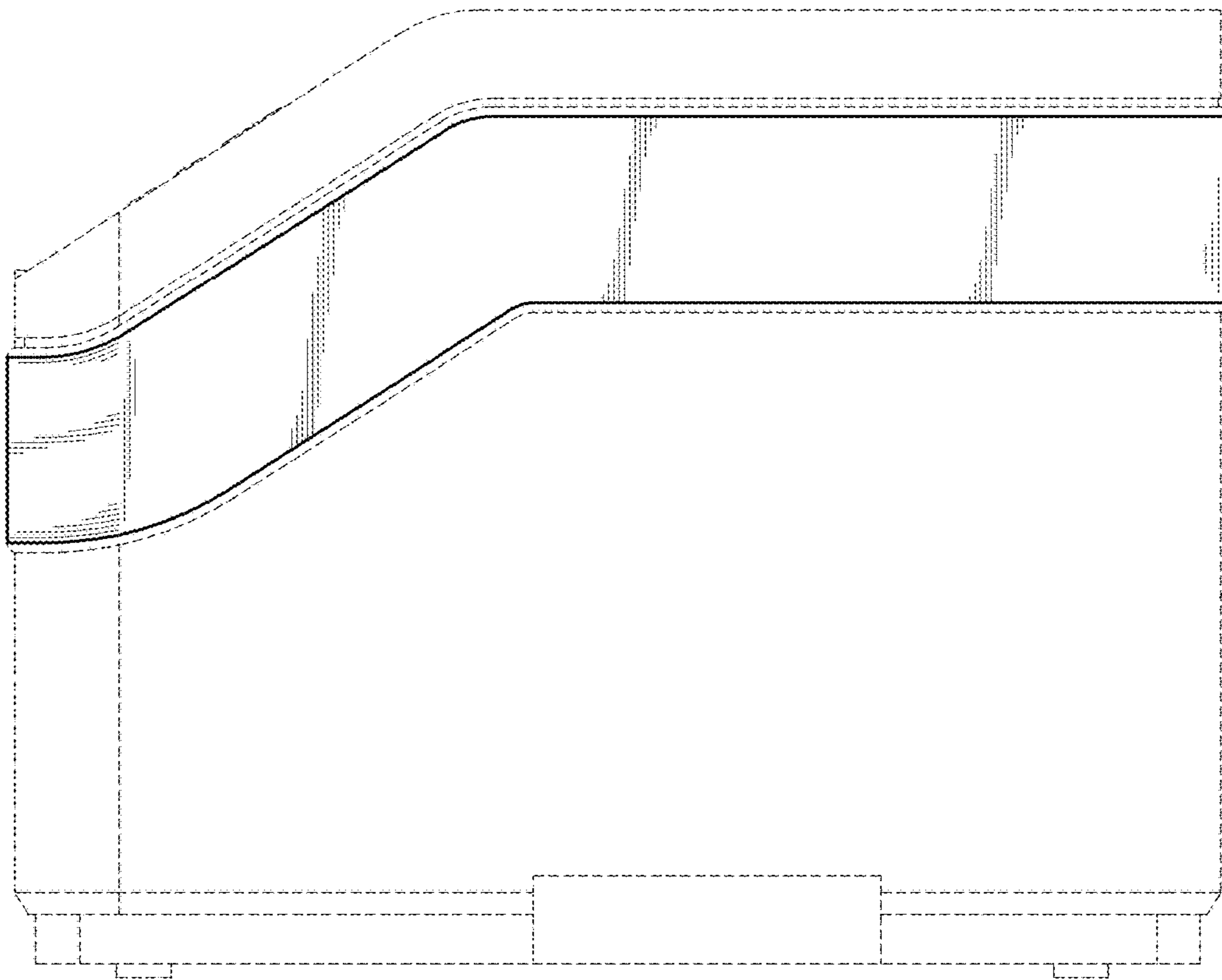


FIG. 5

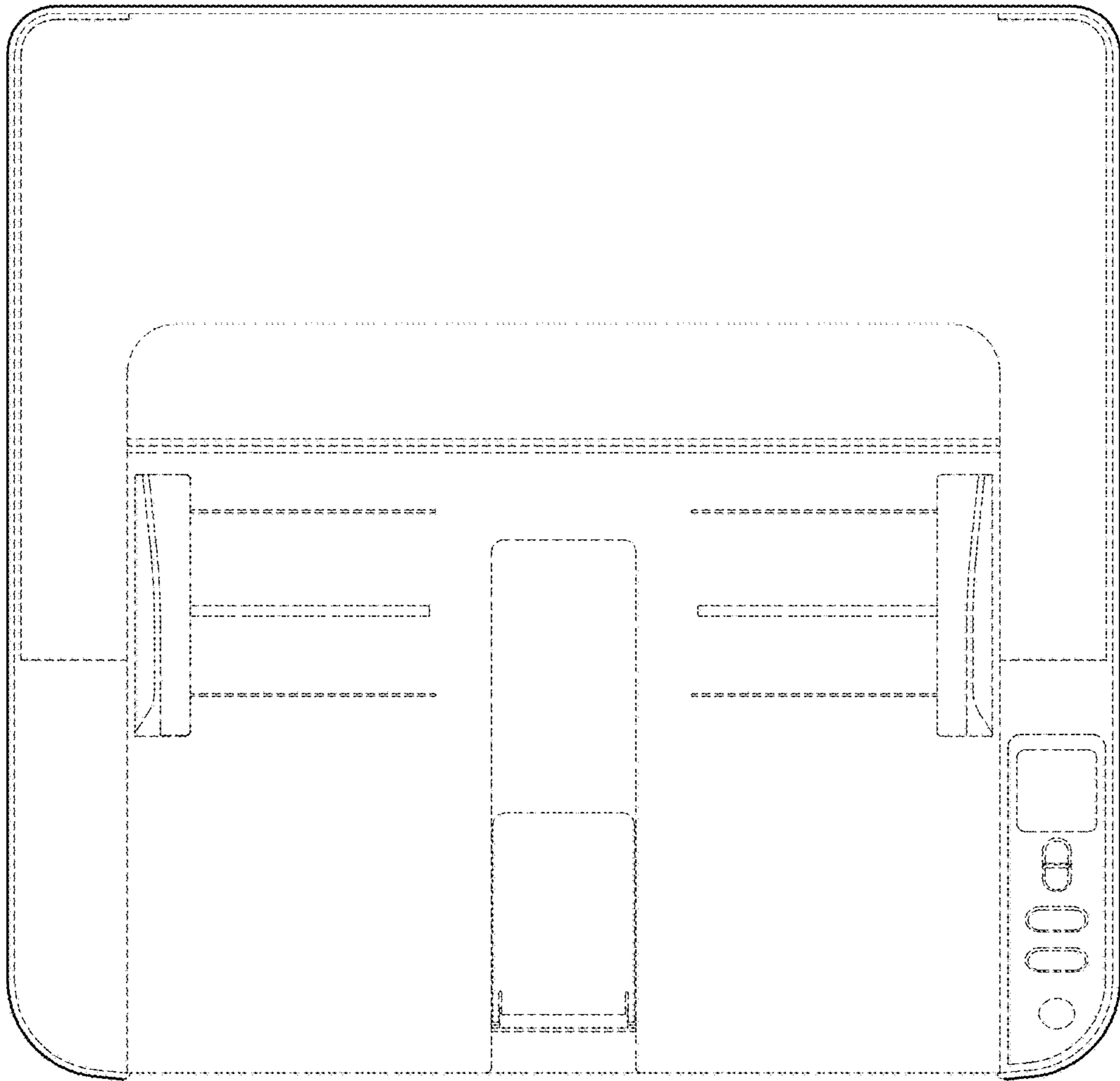


FIG. 6

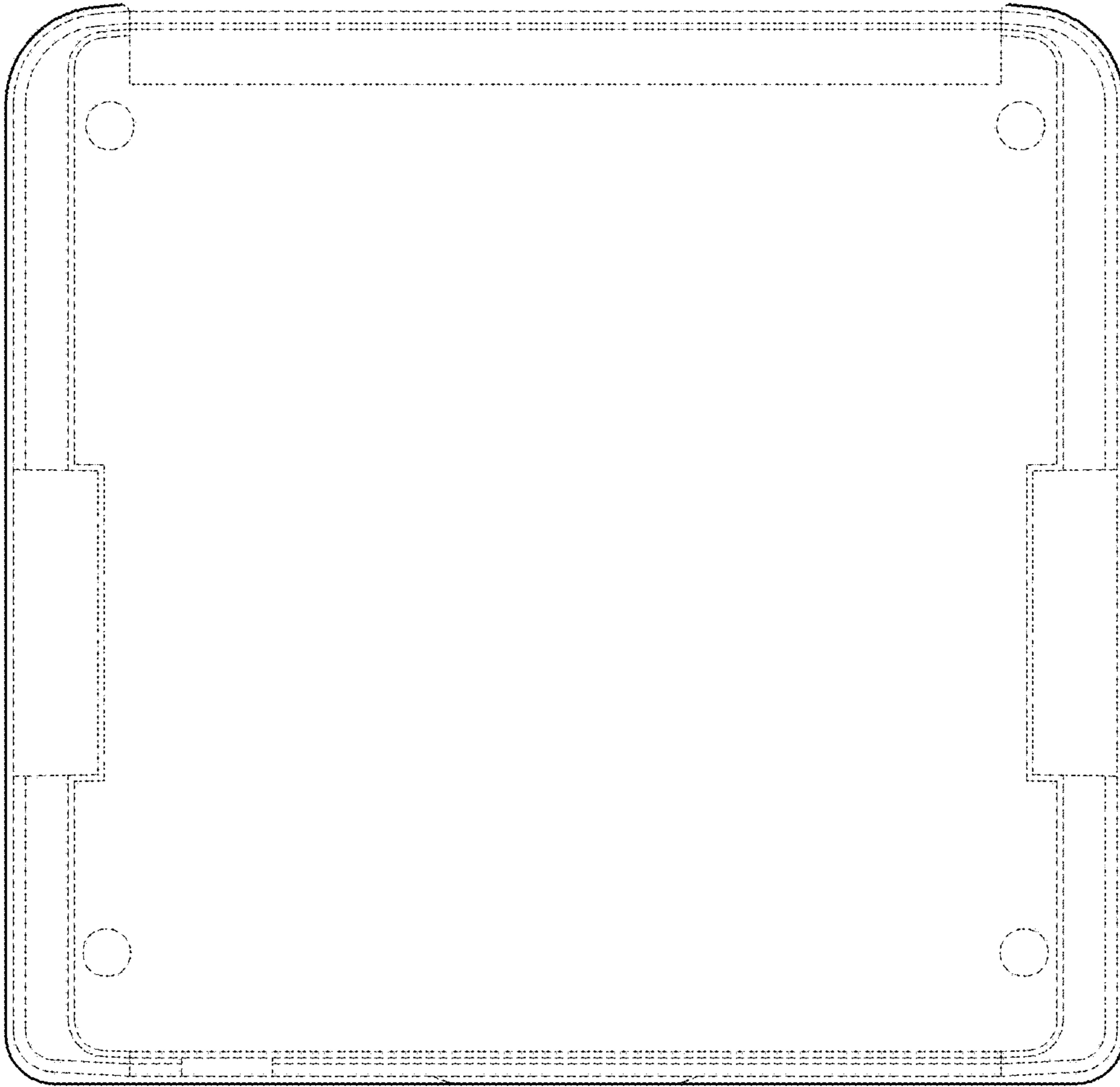


FIG. 7

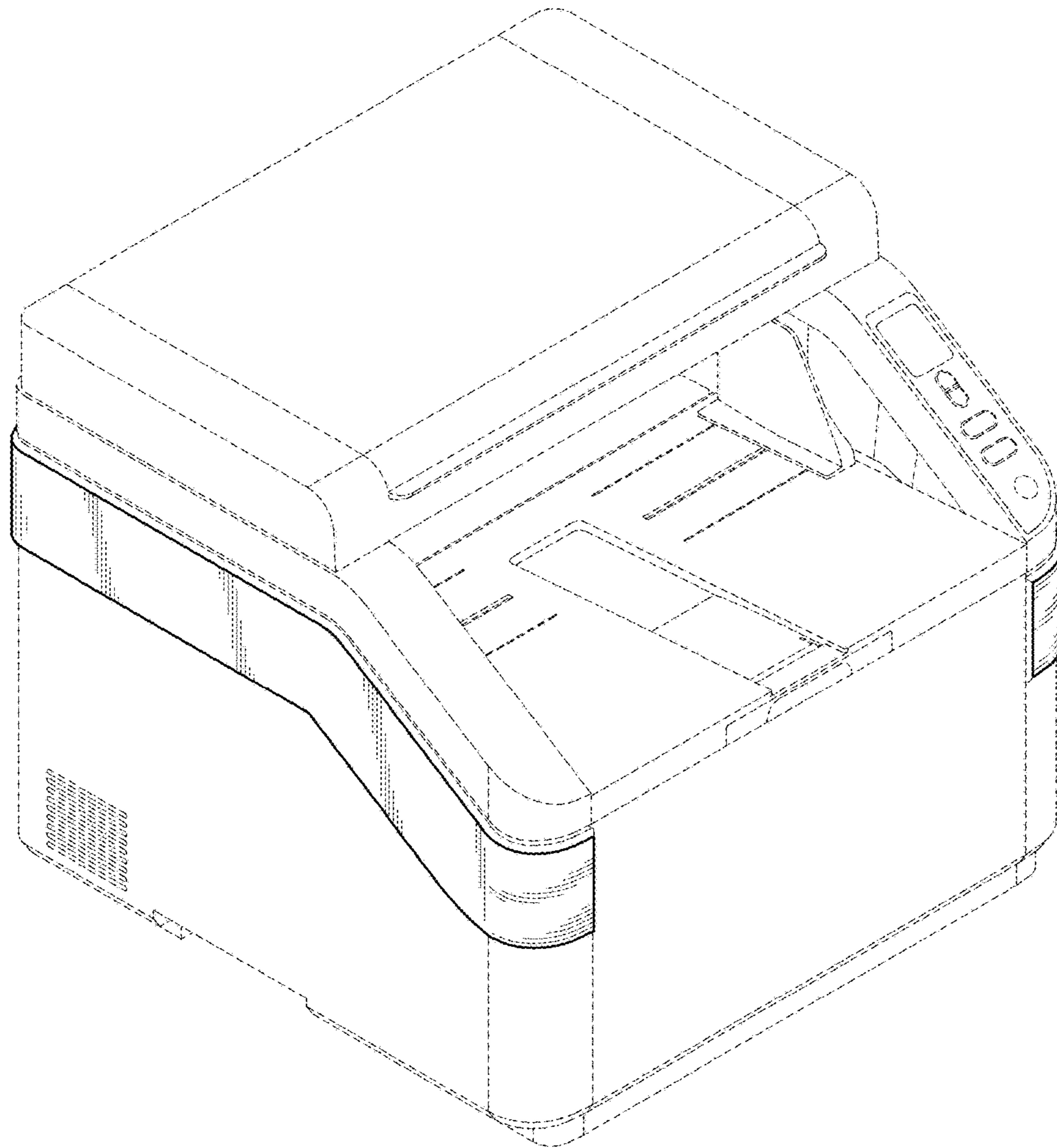


FIG. 8

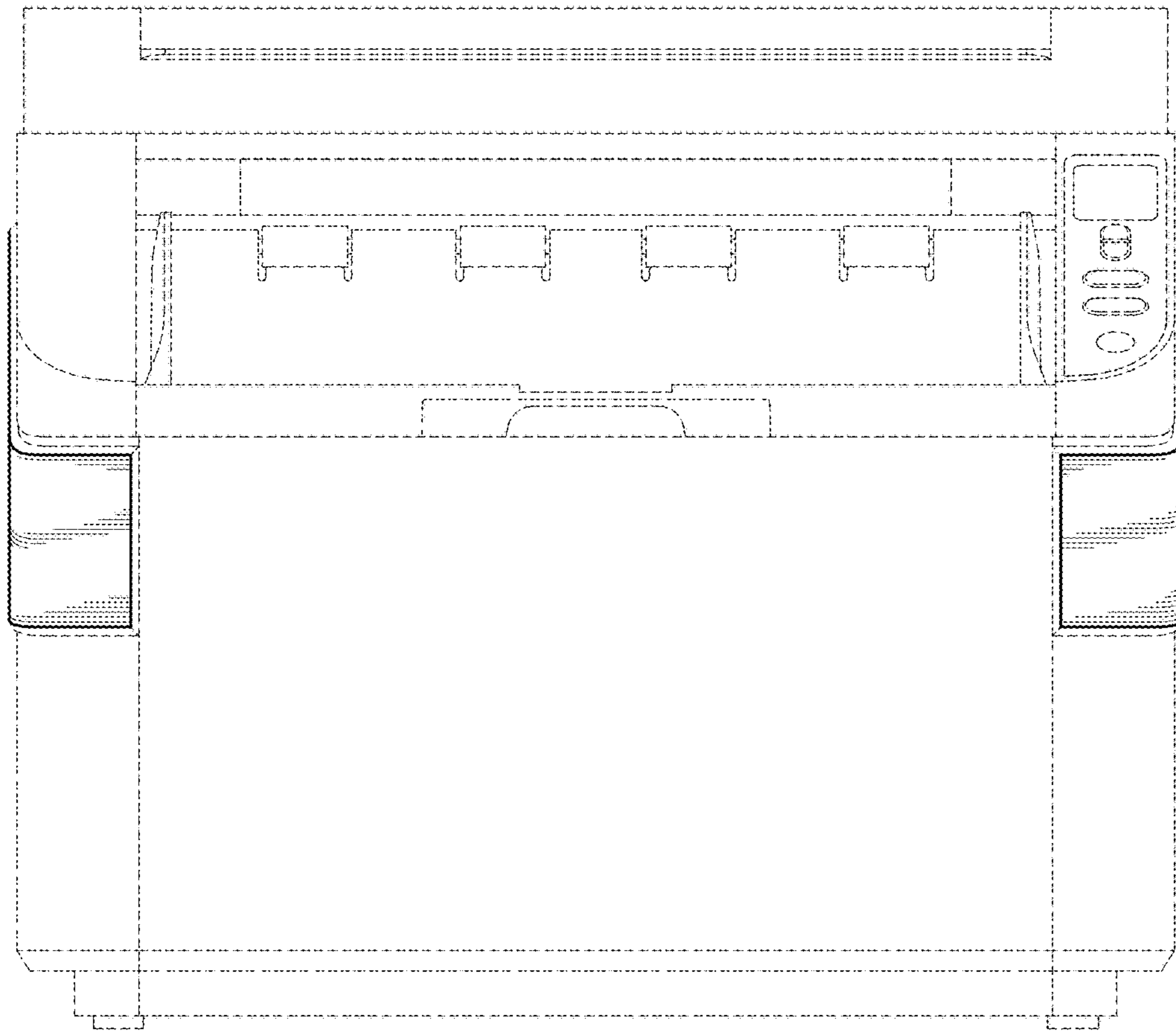


FIG. 9

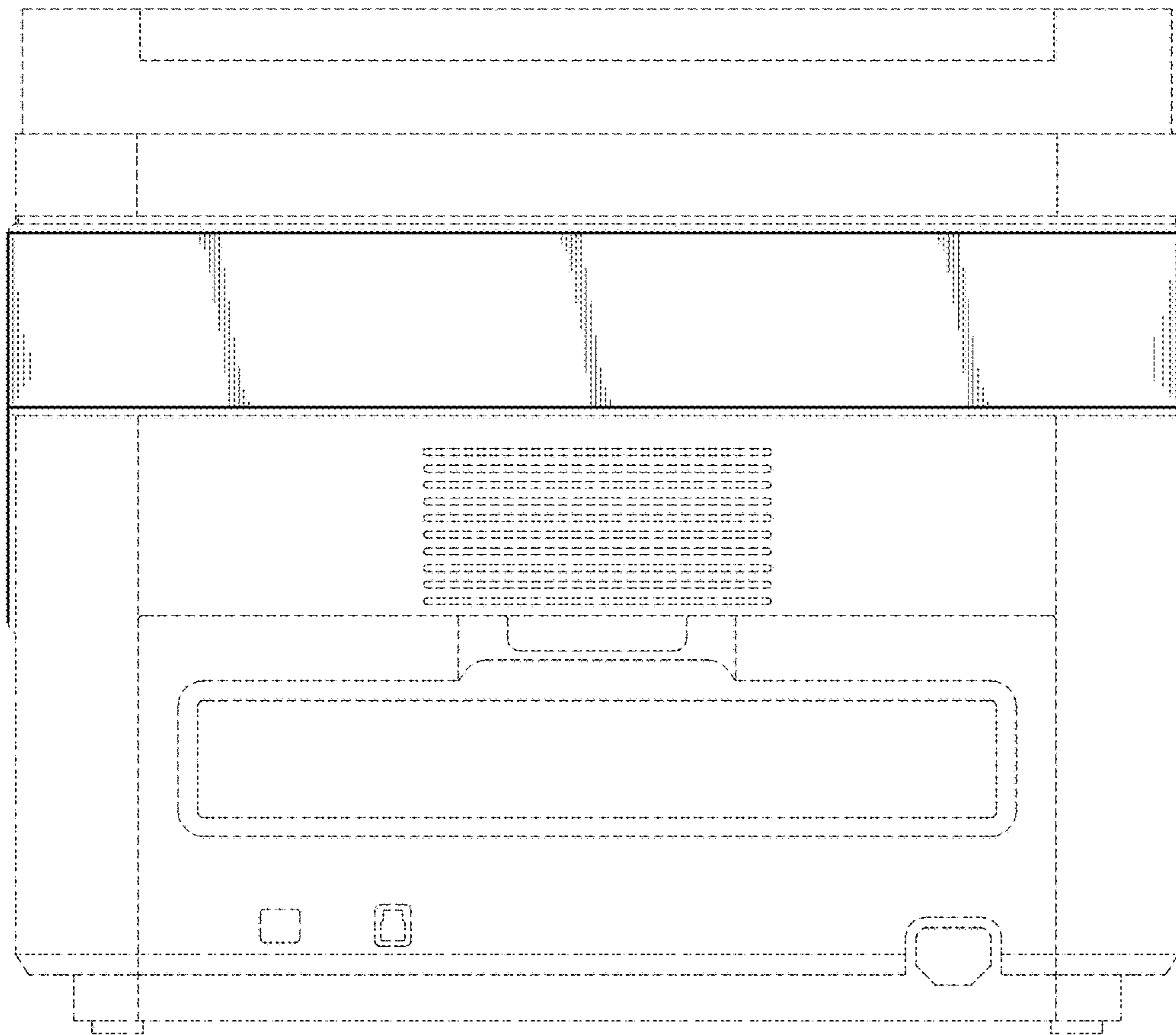


FIG. 10

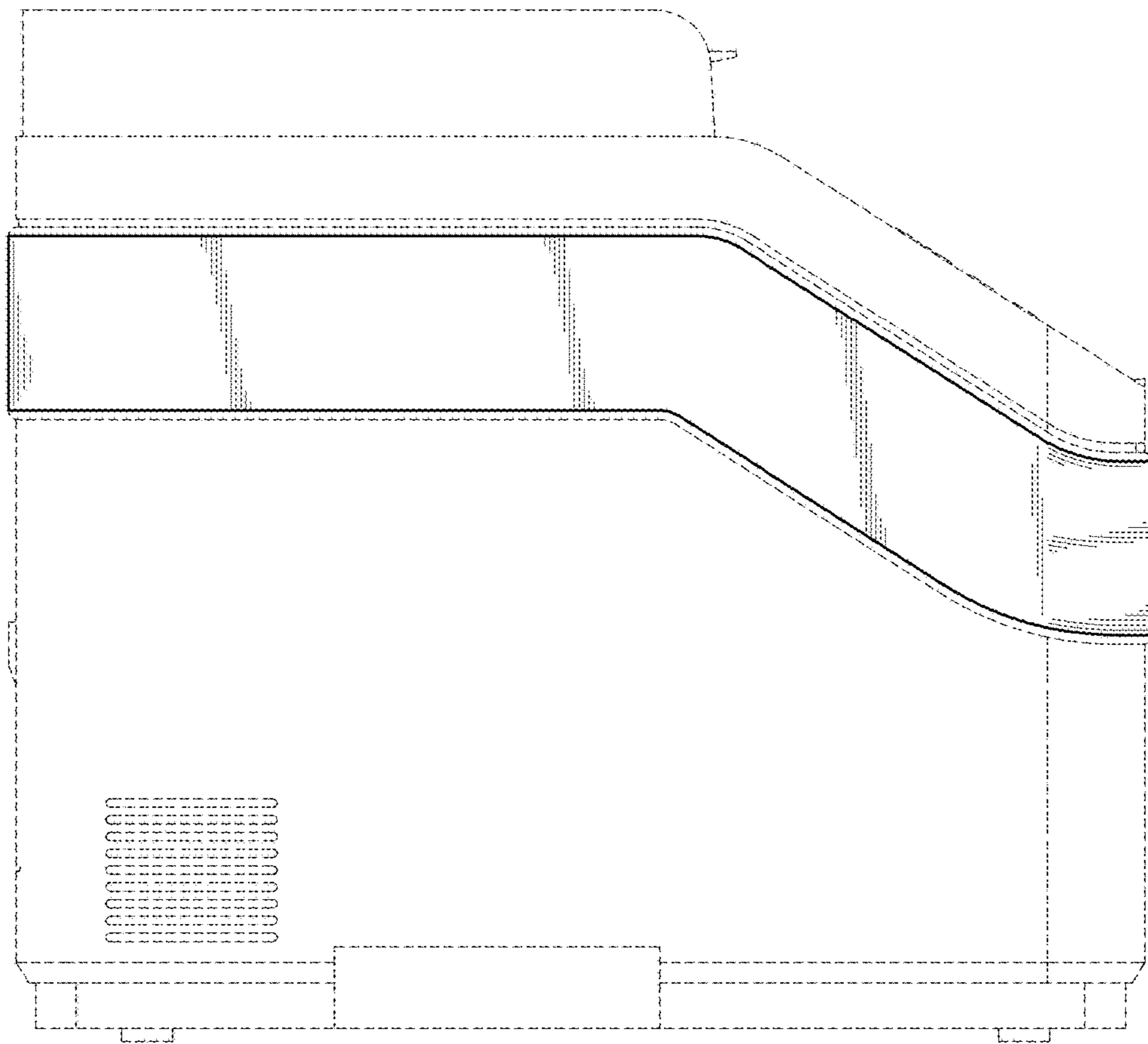


FIG. 11

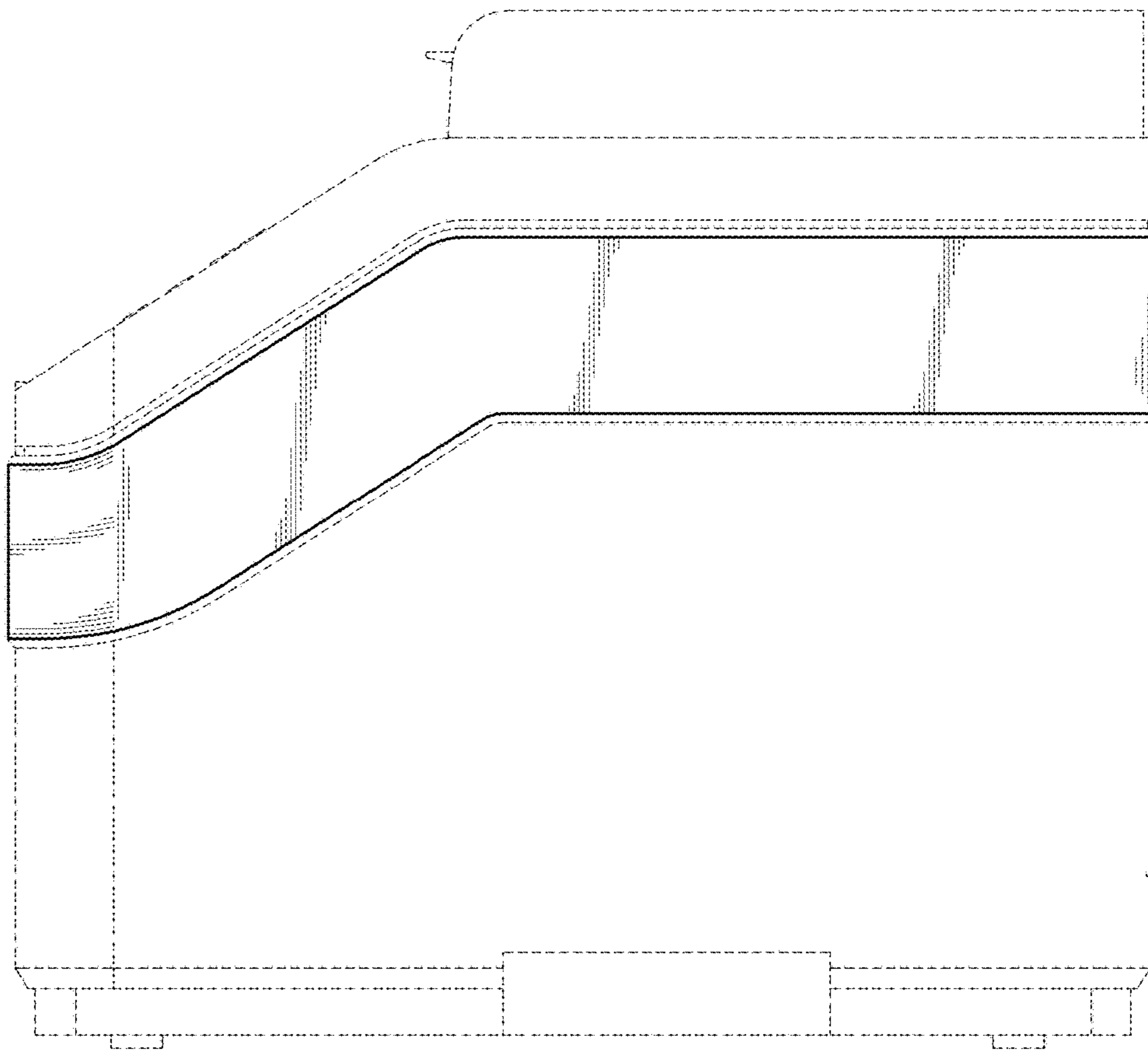


FIG. 12

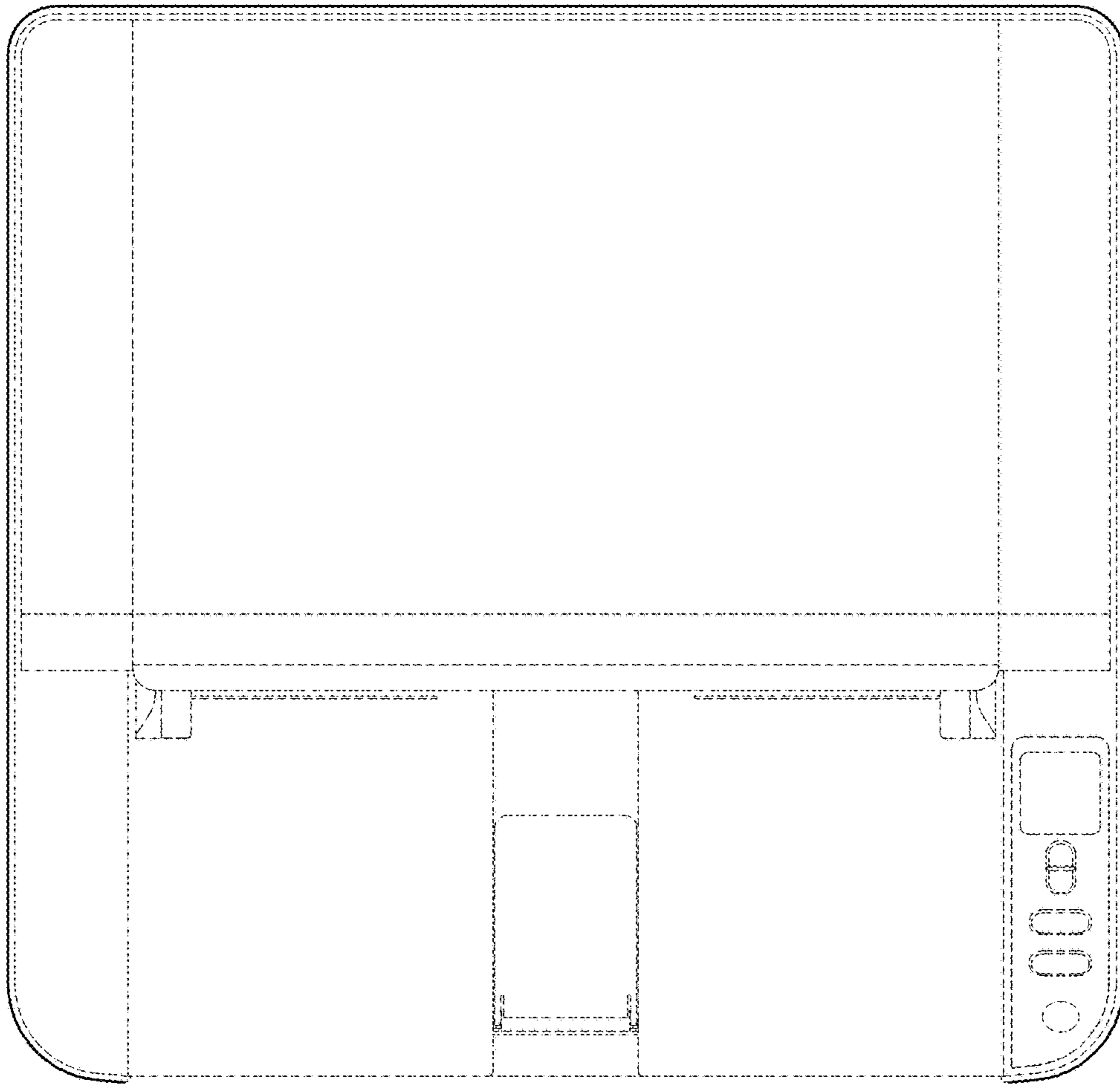


FIG. 13

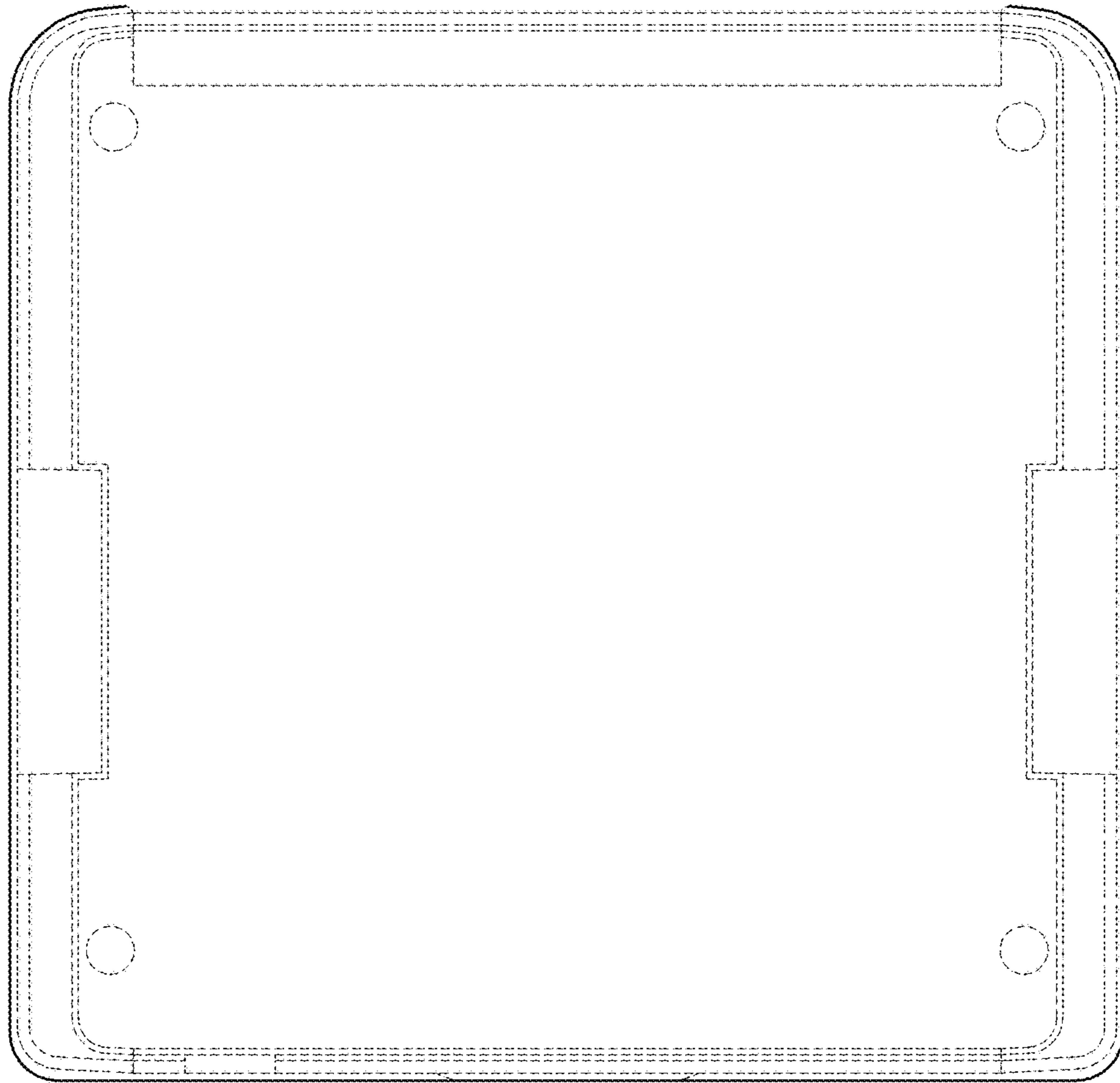


FIG. 14