



US00D860205S

(12) **United States Design Patent** (10) **Patent No.:** **US D860,205 S**  
**Akana et al.** (45) **Date of Patent:** **\*\* Sep. 17, 2019**

(54) **STYLUS**

(71) Applicant: **Apple Inc.**, Cupertino, CA (US)

(72) Inventors: **Jody Akana**, San Francisco, CA (US); **Molly Anderson**, San Francisco, CA (US); **Bartley K. Andre**, Palo Alto, CA (US); **Shota Aoyagi**, San Francisco, CA (US); **Anthony Michael Ashcroft**, San Francisco, CA (US); **Jeremy Bataillou**, San Francisco, CA (US); **Daniel J. Coster**, San Francisco, CA (US); **Daniele De Iuliis**, San Francisco, CA (US); **M. Evans Hankey**, San Francisco, CA (US); **Julian Hoenig**, San Francisco, CA (US); **Richard P. Howarth**, San Francisco, CA (US); **Jonathan P. Ive**, San Francisco, CA (US); **Duncan Robert Kerr**, San Francisco, CA (US); **Matthew Dean Rohrbach**, San Francisco, CA (US); **Peter Russell-Clarke**, San Francisco, CA (US); **Benjamin Andrew Shaffer**, San Jose, CA (US); **Mikael Silvano**, San Francisco, CA (US); **Christopher J. Stringer**, Woodside, CA (US); **Eugene Antony Whang**, San Francisco, CA (US); **Rico Zörkendörfer**, San Francisco, CA (US)

(73) Assignee: **Apple Inc.**, Cupertino, CA (US)

(\*\*) Term: **15 Years**

(21) Appl. No.: **29/656,741**

(22) Filed: **Jul. 16, 2018**

**Related U.S. Application Data**

(63) Continuation of application No. 29/609,756, filed on Jul. 5, 2017, now Pat. No. Des. 826,231, which is a (Continued)

(51) **LOC (12) Cl.** ..... **14-02**

(52) **U.S. Cl.**  
USPC ..... **D14/411**

(58) **Field of Classification Search**  
USPC ..... D14/372, 496, 432, 371, 125, 126, 129, D14/299, 411; D16/300-342; 351/158, (Continued)

(56) **References Cited**

U.S. PATENT DOCUMENTS

3,807,882 A 4/1974 Munz  
4,712,937 A 12/1987 Schmidt et al.  
(Continued)

OTHER PUBLICATIONS

Adonit Styluses, <<http://www.adonit.net/jot/>>, available at least as early as Sep. 4, 2015.

*Primary Examiner* — Austin Murphy  
(74) *Attorney, Agent, or Firm* — Saidman DesignLaw Group, LLC

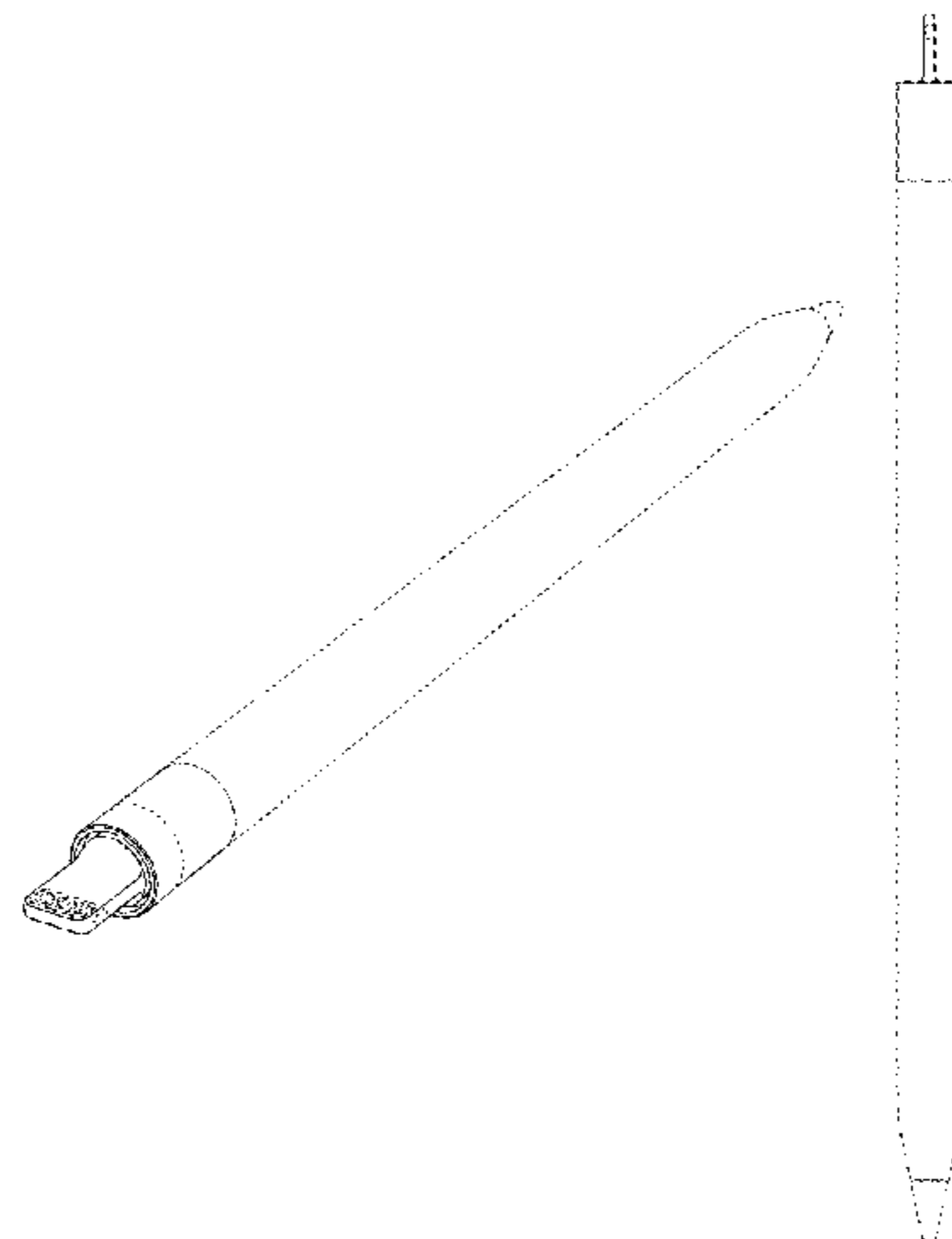
(57) **CLAIM**

The ornamental design for a stylus, as shown and described.

**DESCRIPTION**

FIG. 1 is a perspective view of a stylus showing our new design;  
FIG. 2 is another perspective view thereof;  
FIG. 3 is a top view thereof;  
FIG. 4 is another top view thereof, showing the design rotated 90° from FIG. 3;  
FIG. 5 is a rear view thereof; and,  
FIG. 6 is a front view thereof.  
The dashed broken lines represent structure or features which form no part of the claimed design.  
The dot-dash broken lines represent boundaries of the claimed design; the dot-dash broken lines themselves form no part of the claimed design.

**1 Claim, 2 Drawing Sheets**



**Related U.S. Application Data**

continuation of application No. 29/577,947, filed on Sep. 16, 2016, now Pat. No. Des. 796,511, which is a continuation of application No. 29/538,660, filed on Sep. 4, 2015, now Pat. No. Des. 771,049.

(58) **Field of Classification Search**

USPC ..... 351/153, 144; 345/7-9, 905; 455/344; 348/115, 53, 121, 739  
CPC ..... G02B 27/017; G06F 3/016; G06F 3/033; G06F 3/0317; G06F 3/03545; G06F 3/041; G06K 9/222

See application file for complete search history.

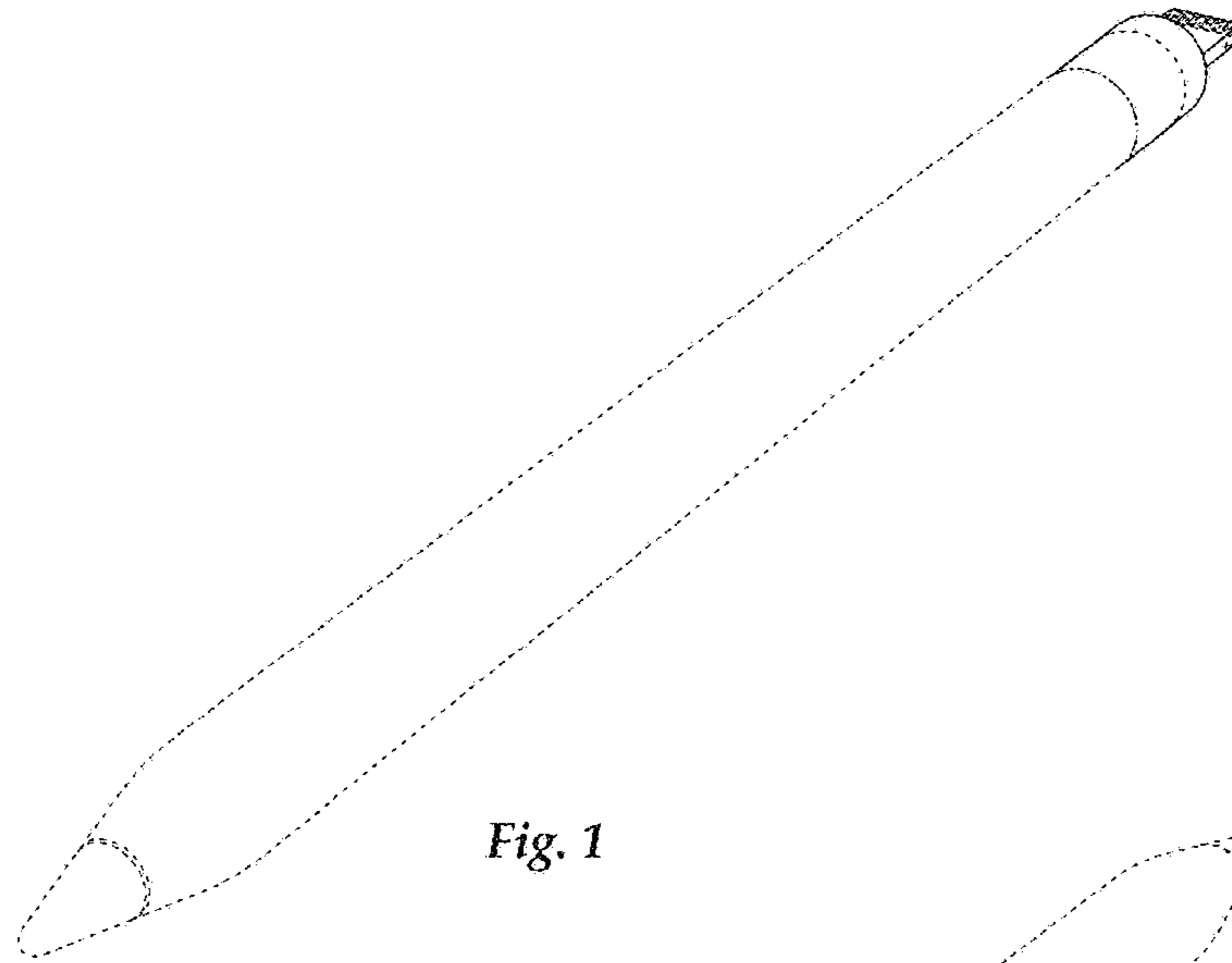
(56) **References Cited**

U.S. PATENT DOCUMENTS

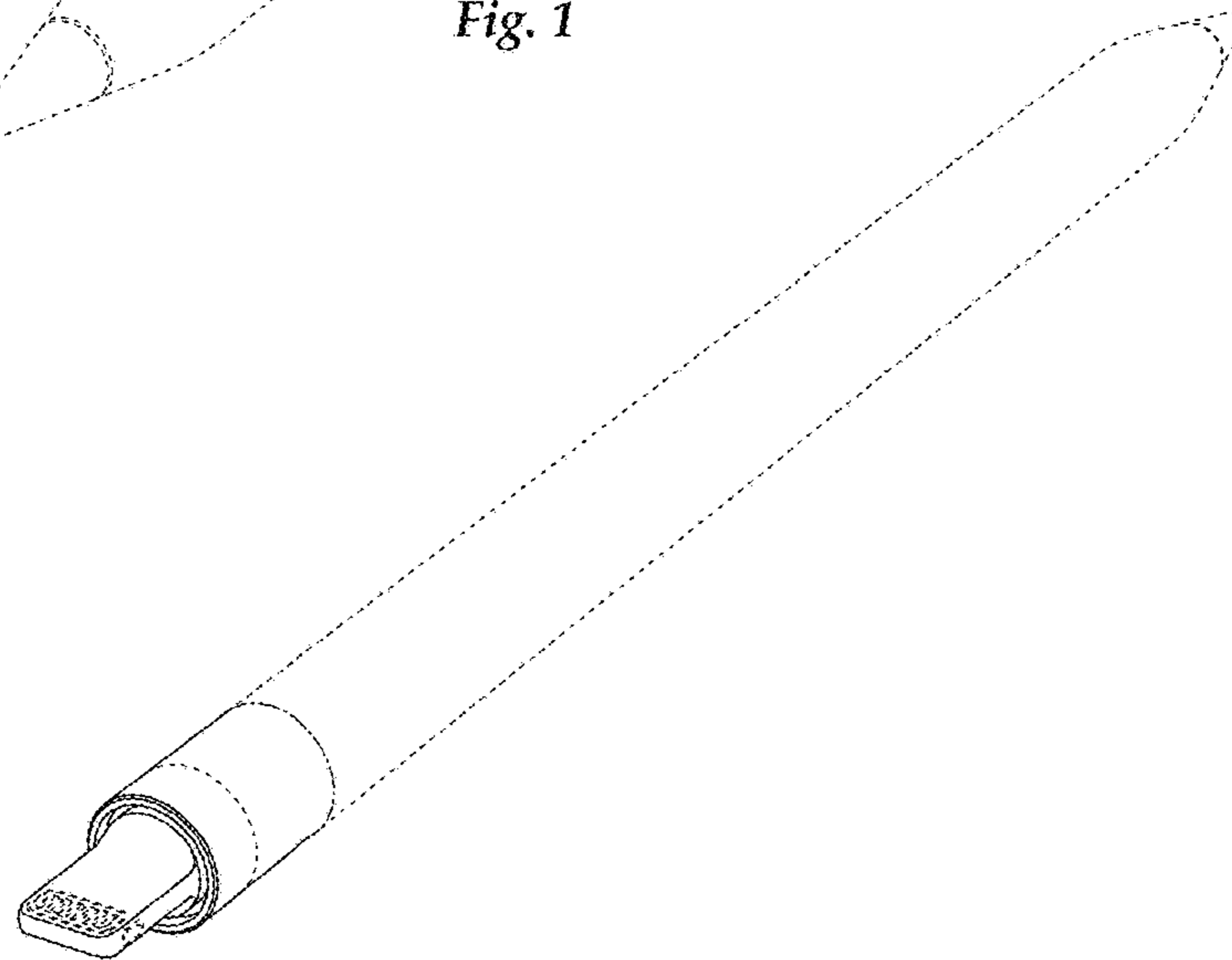
D310,684 S 9/1990 Itoh  
D317,625 S 6/1991 Itoh  
D340,069 S 10/1993 Garry  
D352,703 S 11/1994 Mitcham et al.  
5,747,748 A 5/1998 Zigler  
D487,746 S 3/2004 Fitch  
D487,896 S 3/2004 Tanner, Jr.  
D544,484 S 6/2007 Hussaini  
D573,644 S 7/2008 Bhavnani  
D610,145 S 2/2010 Smith  
D614,622 S 4/2010 Nakata  
D614,623 S 4/2010 Crisp et al.  
D617,328 S 6/2010 Nakata  
D669,898 S 10/2012 Nakata  
D670,700 S 11/2012 Halsinger et al.  
8,368,670 B2 2/2013 Liang  
D680,114 S 4/2013 Hashi  
D681,037 S 4/2013 Hashi  
D681,038 S 4/2013 Tomohiro

D682,833 S 5/2013 Paschke et al.  
D697,915 S 1/2014 Lien  
D699,722 S 2/2014 Sugino et al.  
D699,723 S 2/2014 Nishizawa  
D705,780 S 5/2014 Nishizawa  
D710,854 S 8/2014 Huang  
D717,301 S 11/2014 Groene et al.  
D717,302 S 11/2014 DeSerio  
D717,798 S 11/2014 Groene et al.  
D720,349 S 12/2014 Comerford  
D722,600 S 2/2015 Dowd et al.  
D724,086 S 3/2015 Schoenert et al.  
D724,087 S 3/2015 Sakatsume  
D727,325 S 4/2015 Spector  
D732,035 S 6/2015 Akana et al.  
D744,486 S 12/2015 Arai  
D750,630 S 3/2016 Nishizawa  
D751,560 S 3/2016 Akana et al.  
9,298,285 B2 3/2016 Mohindra et al.  
D754,661 S 4/2016 Nishizawa  
D770,454 S 11/2016 Lee et al.  
D770,456 S 11/2016 Akana et al.  
D771,049 S \* 11/2016 Akana ..... D14/411  
D771,630 S 11/2016 Akana et al.  
D772,230 S 11/2016 Lee et al.  
D772,876 S 11/2016 Akana et al.  
D773,462 S 12/2016 Mitchell  
9,575,573 B2 \* 2/2017 Chang ..... G06F 3/03545  
D783,022 S 4/2017 Sirota et al.  
D786,253 S \* 5/2017 Akana ..... D14/411  
D788,109 S 5/2017 Kuan-her et al.  
D789,370 S 6/2017 Akana et al.  
D791,770 S 7/2017 Akana et al.  
D796,511 S \* 9/2017 Akana ..... D14/411  
D796,512 S \* 9/2017 Akana ..... D14/411  
D799,488 S 10/2017 Nishizawa  
10,007,364 B2 \* 6/2018 Zimmerman ..... G06F 3/0383  
D826,231 S \* 8/2018 Akana ..... D14/411

\* cited by examiner



*Fig. 1*



*Fig. 2*

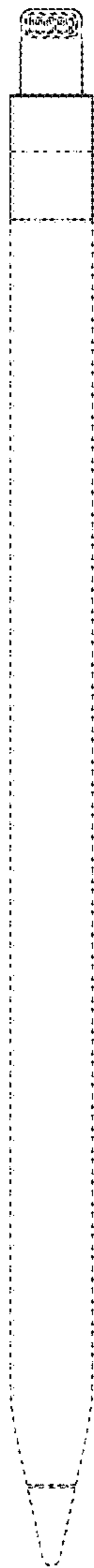


Fig. 3

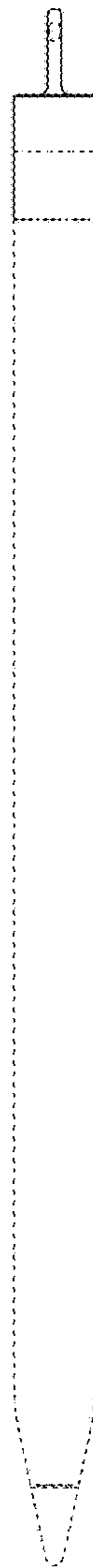


Fig. 4

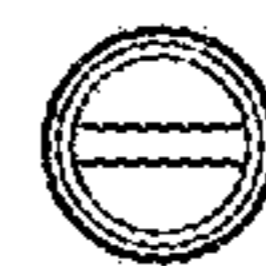


Fig. 5



Fig. 6