

US00D860199S

(12) **United States Design Patent**
McGinty, Jr. et al.

(10) **Patent No.:** **US D860,199 S**
(45) **Date of Patent:** **** Sep. 17, 2019**

- (54) **VIRTUAL REALITY HEADSET**
- (71) Applicant: **Google LLC**, Mountain View, CA (US)
- (72) Inventors: **Gerald Kirk McGinty, Jr.**, Santa Cruz, CA (US); **Phan Thao Benno Dang**, San Francisco, CA (US); **Hannes Harms**, San Francisco, CA (US); **Maike Evers**, San Francisco, CA (US); **Hayes S. Raffle**, Palo Alto, CA (US); **Albert Lee**, San Francisco, CA (US); **Erik Hubert Dolly Goossens**, San Francisco, CA (US); **Byeong Seon Oh**, Sunnyvale, CA (US); **Dan Odell**, Palo Alto, CA (US); **Michael Simonian**, San Francisco, CA (US); **Basheer Tome**, San Francisco, CA (US)
- (73) Assignee: **GOOGLE LLC**, Mountain View, CA (US)

(**) Term: **15 Years**

(21) Appl. No.: **29/621,808**

(22) Filed: **Oct. 11, 2017**

(51) **LOC (12) Cl.** **14-02**

(52) **U.S. Cl.**
USPC **D14/372**

(58) **Field of Classification Search**
USPC D14/372, 496, 432, 371, 125, 126, 129, D14/299; D16/300-342; 351/158, 153, 351/144; 345/7-9, 905; 455/344; 348/115, 53, 121, 739
CPC G02B 27/017; G02B 27/0158; G02B 27/0161; G02B 27/0181; G02B 27/0185; G02B 27/0189

See application file for complete search history.

(56) **References Cited**

U.S. PATENT DOCUMENTS

- D732,028 S 6/2015 Kim et al.
- D738,374 S 9/2015 Luckey et al.

- D749,580 S 2/2016 Kim et al.
- D752,680 S 3/2016 Kim et al.
- D753,111 S 4/2016 Zhu et al.
- D759,654 S 6/2016 Sullivan et al.
- D764,465 S 8/2016 Clement et al.
- D764,466 S 8/2016 Kim et al.

(Continued)

FOREIGN PATENT DOCUMENTS

- CN 303746276 S 7/2016
- EM 003099969-0001 5/2016
- JP 1549959 S 5/2016

OTHER PUBLICATIONS

Velasco, "Samsung Gear VR (2017) review", Android Authority, Apr. 18, 2017, 9 pages.

Primary Examiner — Austin Murphy

(74) *Attorney, Agent, or Firm* — Brakes Hughes Bellermann LLP

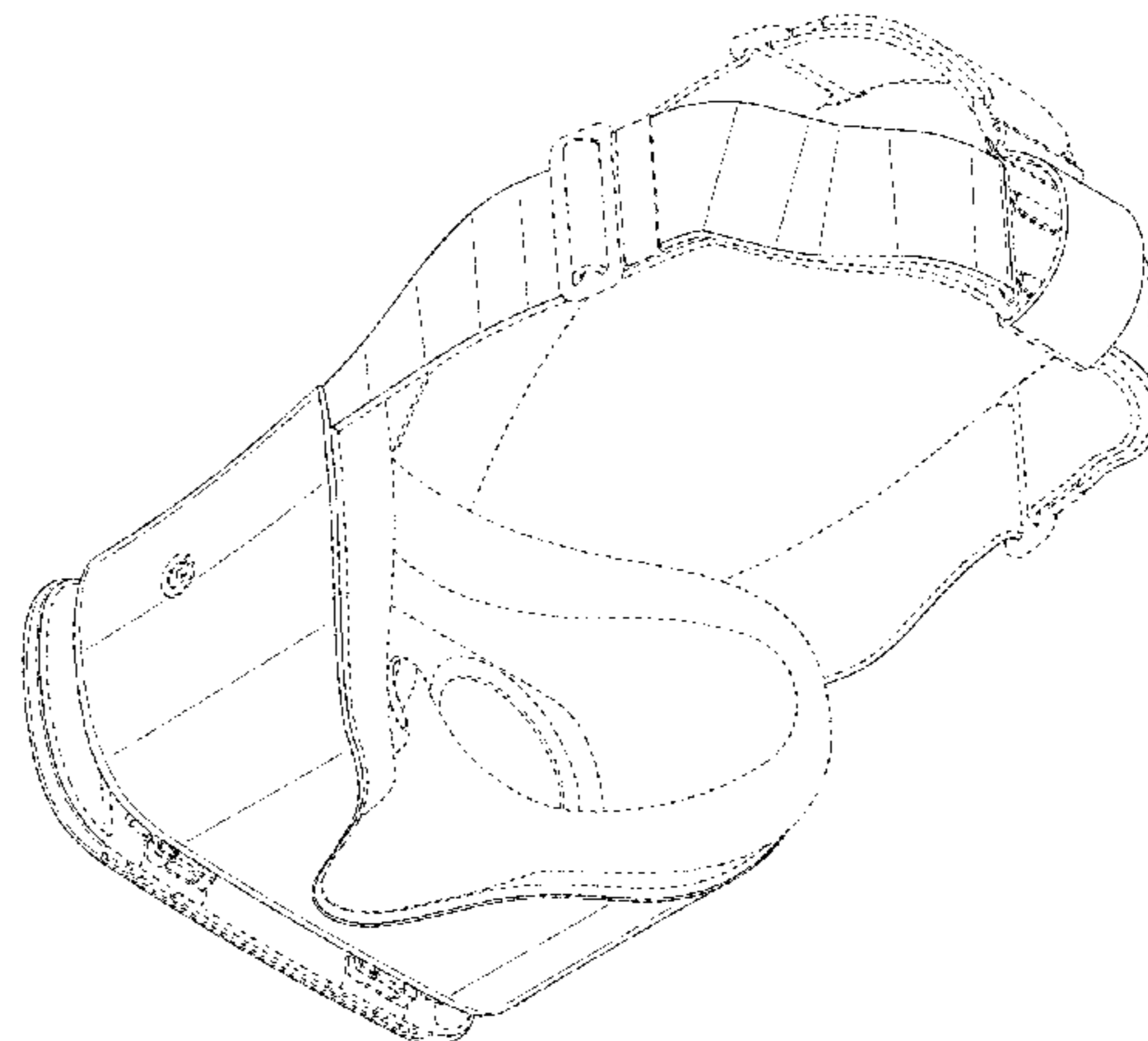
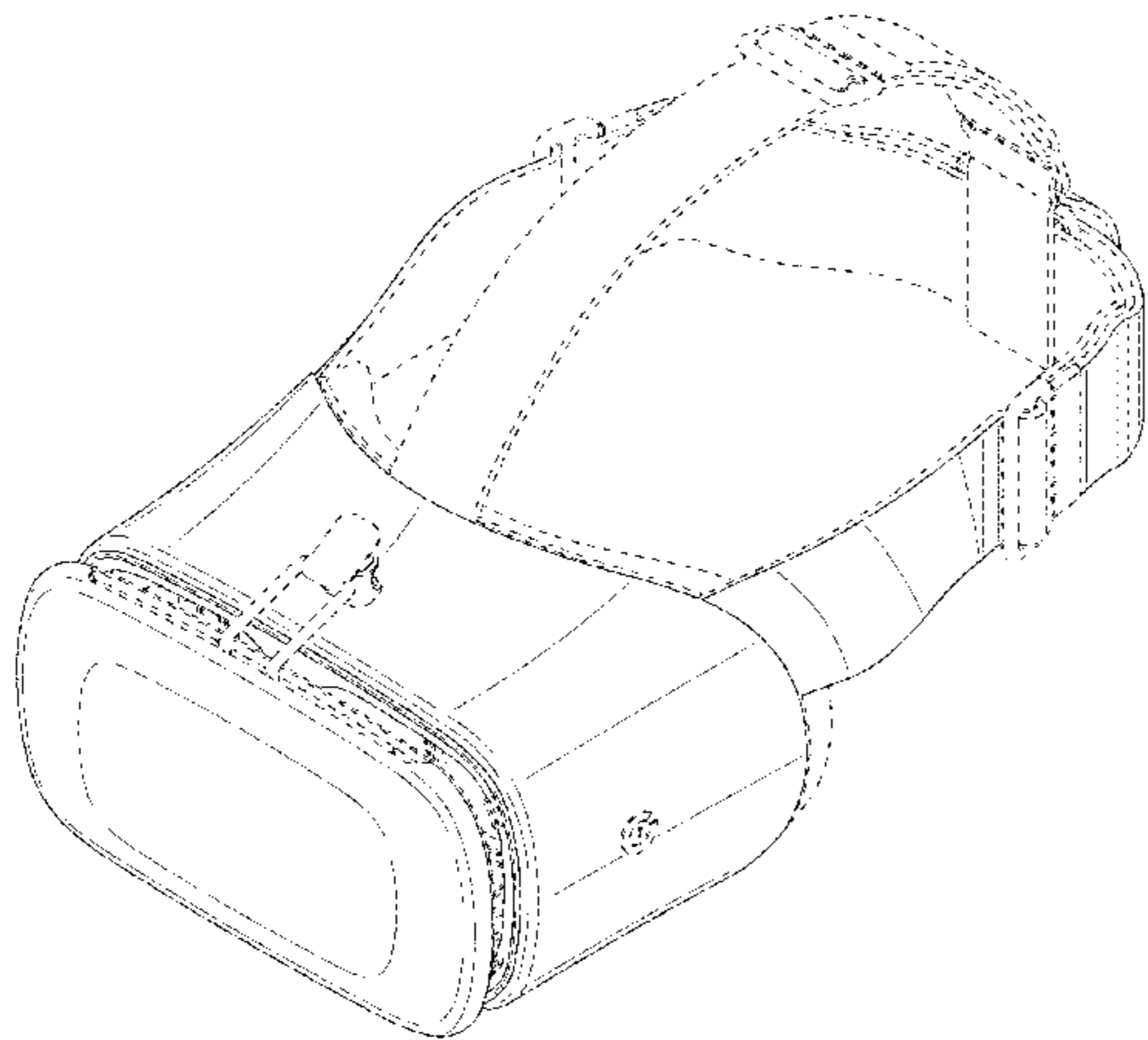
(57) **CLAIM**

What is claimed is an ornamental design for a virtual reality headset, as shown and described herein.

DESCRIPTION

FIG. 1 is a view of a virtual reality headset; FIG. 2 is a view of a virtual reality headset; FIG. 3 is a view of a virtual reality headset; FIG. 4 is a view of a virtual reality headset; FIG. 5 is a view of a virtual reality headset; FIG. 6 is a view of a virtual reality headset; FIG. 7 is a view of a virtual reality headset; and, FIG. 8 is a view of a virtual reality headset. Any broken lines in the drawings are for purposes of illustrating portions and form no part of the claimed design.

1 Claim, 8 Drawing Sheets



(56)

References Cited

U.S. PATENT DOCUMENTS

D771,627 S	11/2016	Ko et al.	
D773,460 S	12/2016	Yang et al.	
D775,128 S	12/2016	Zellweger et al.	
D775,129 S	12/2016	Zellweger et al.	
D776,111 S	1/2017	Baldassi et al.	
D777,164 S	1/2017	Zellweger et al.	
D778,909 S	2/2017	Nokuo	
D779,486 S	2/2017	Zellweger et al.	
D781,290 S	3/2017	Kim et al.	
D785,619 S	5/2017	Su	
D791,127 S	7/2017	Sullivan et al.	
D791,129 S	7/2017	Sullivan et al.	
D792,399 S	7/2017	Thomas	
D800,117 S	10/2017	Yee et al.	
D801,970 S	11/2017	Pickett et al.	
D805,514 S	12/2017	Clement	
D805,515 S	12/2017	Bowes et al.	
D807,354 S	1/2018	Yee et al.	
D810,742 S	2/2018	Robertson et al.	
D810,743 S	* 2/2018	Yee	D14/372
D815,637 S	* 4/2018	Li	D14/372
D819,634 S	* 6/2018	Pang	D14/372
D819,635 S	* 6/2018	Miller	D14/372
D819,636 S	* 6/2018	Chen	D14/372
D822,659 S	* 7/2018	Spio	D14/372
D827,642 S	* 9/2018	Liu	D14/372
D829,208 S	* 9/2018	Dallmeyer	D14/372
D831,029 S	* 10/2018	Gu	D14/372
D834,016 S	11/2018	Raffle et al.	
D835,102 S	12/2018	Raffle et al.	

* cited by examiner

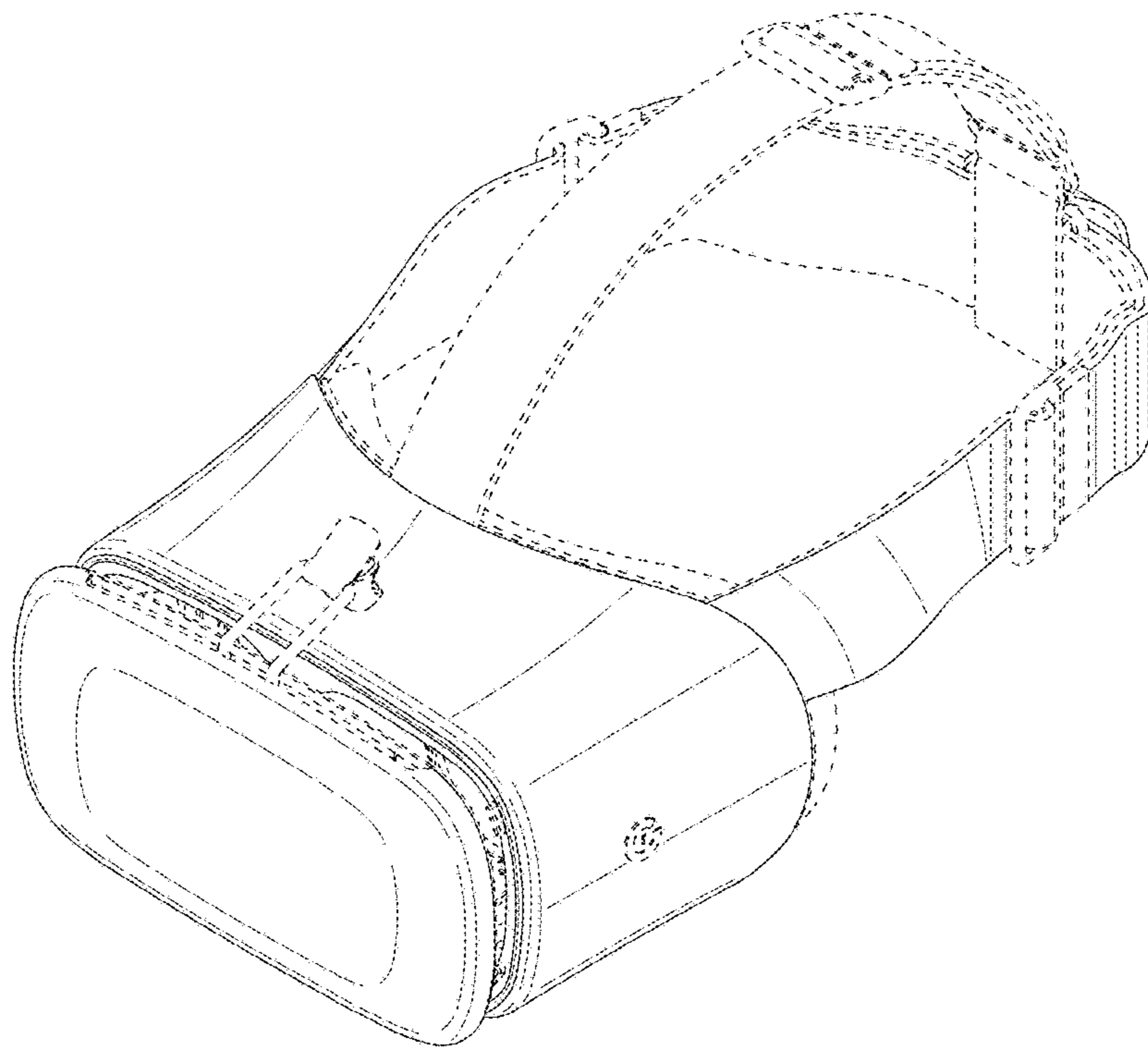


FIG. 1

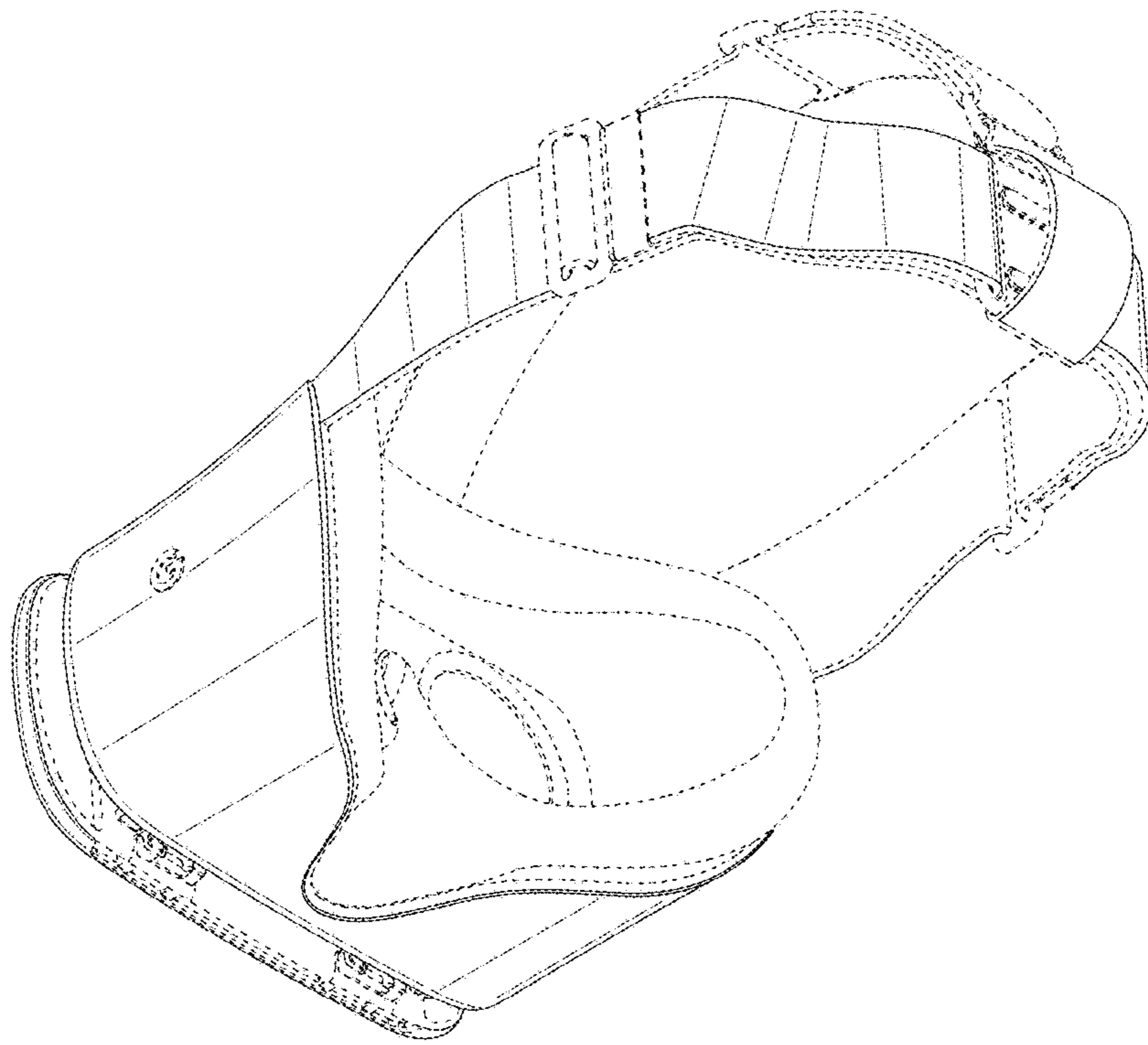


FIG. 2

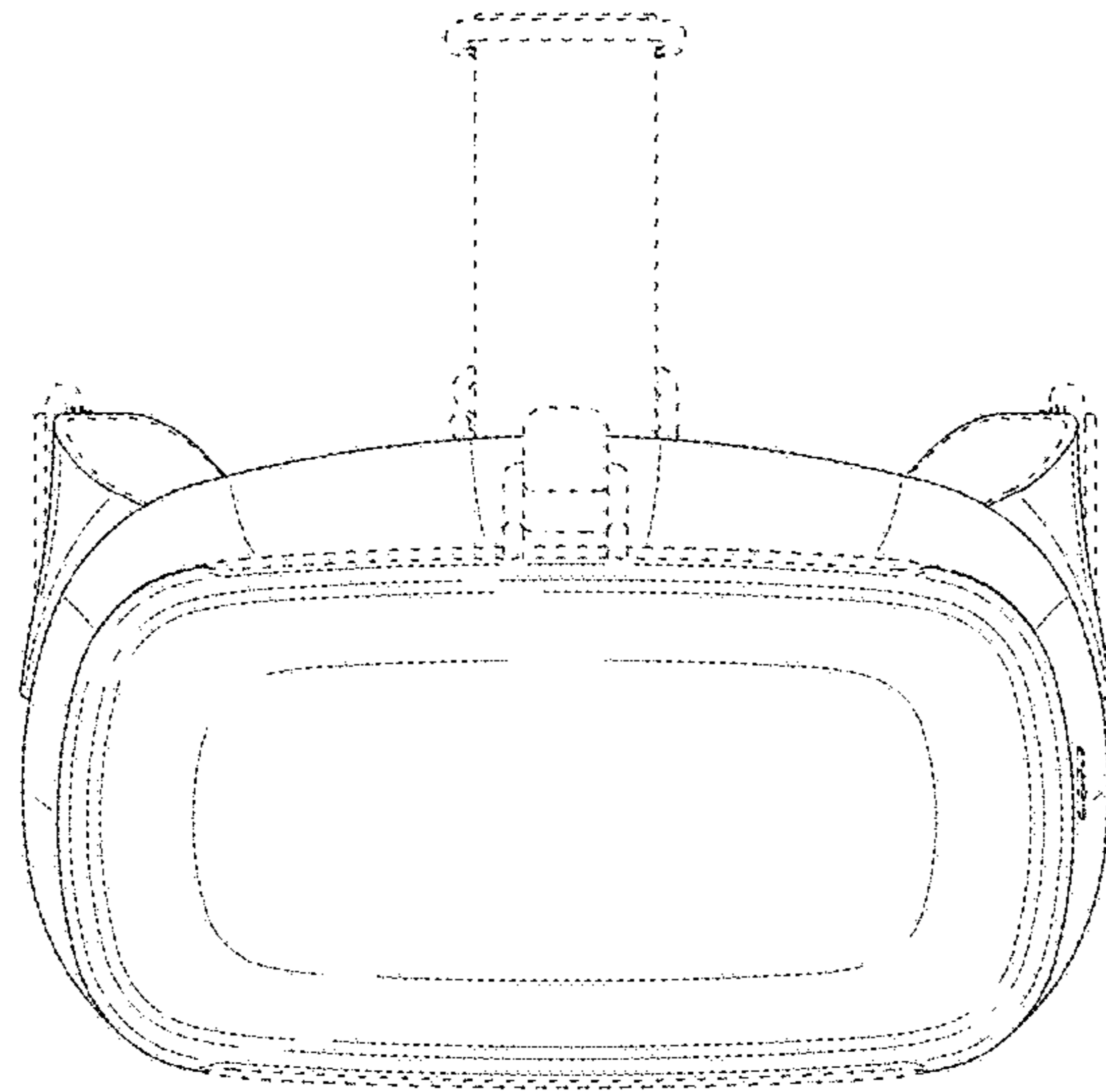


FIG. 3

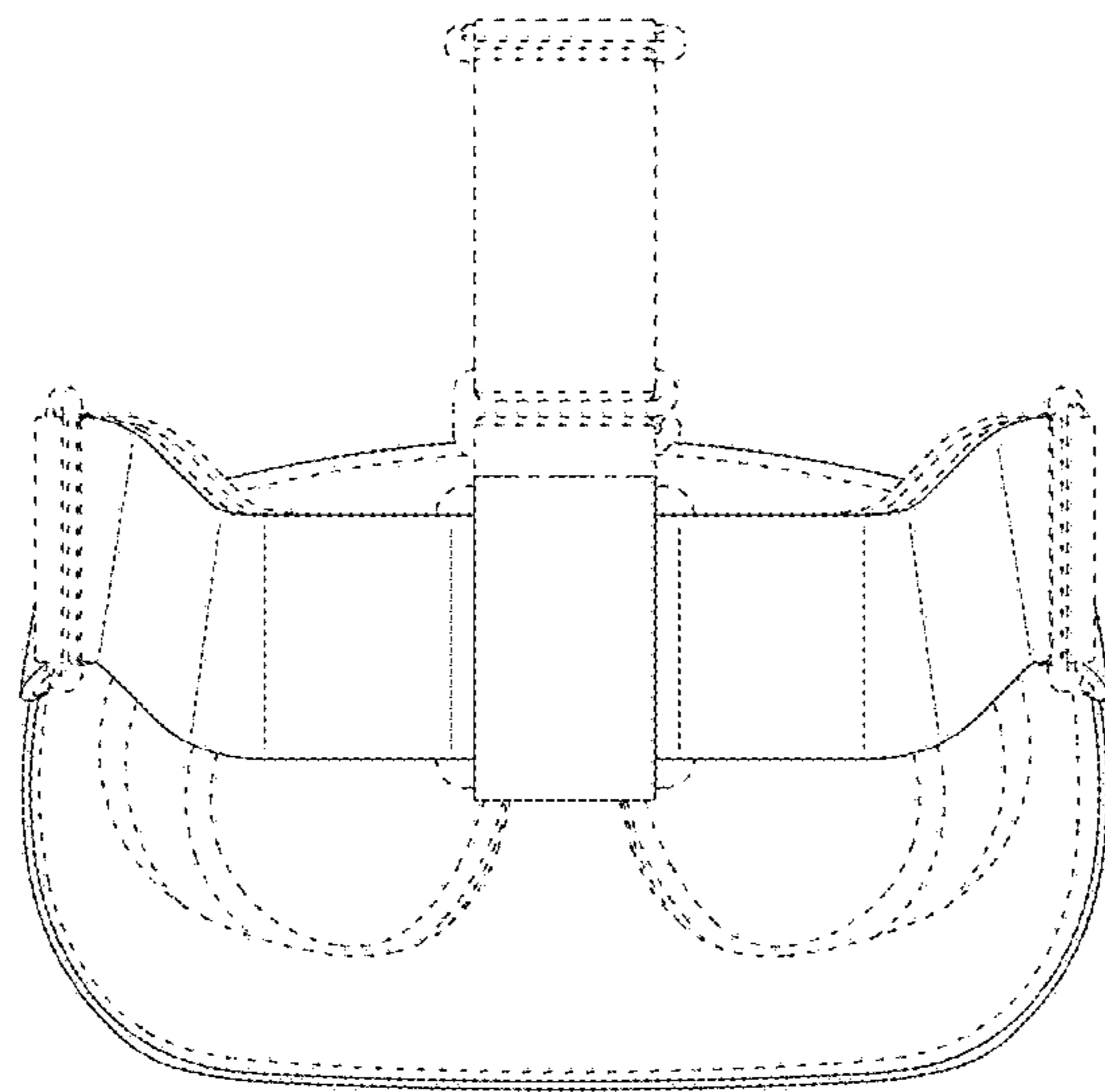


FIG. 4

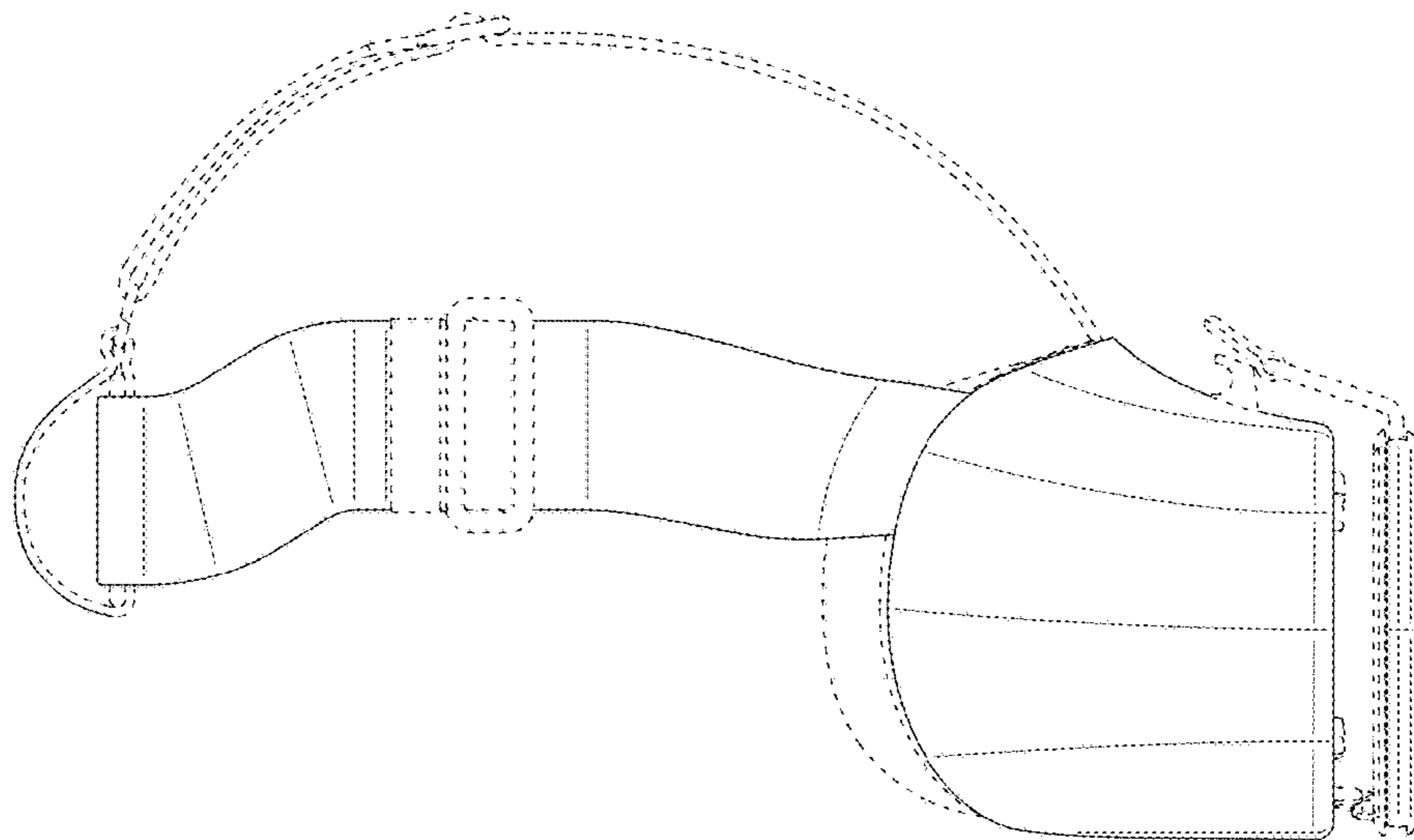


FIG. 5

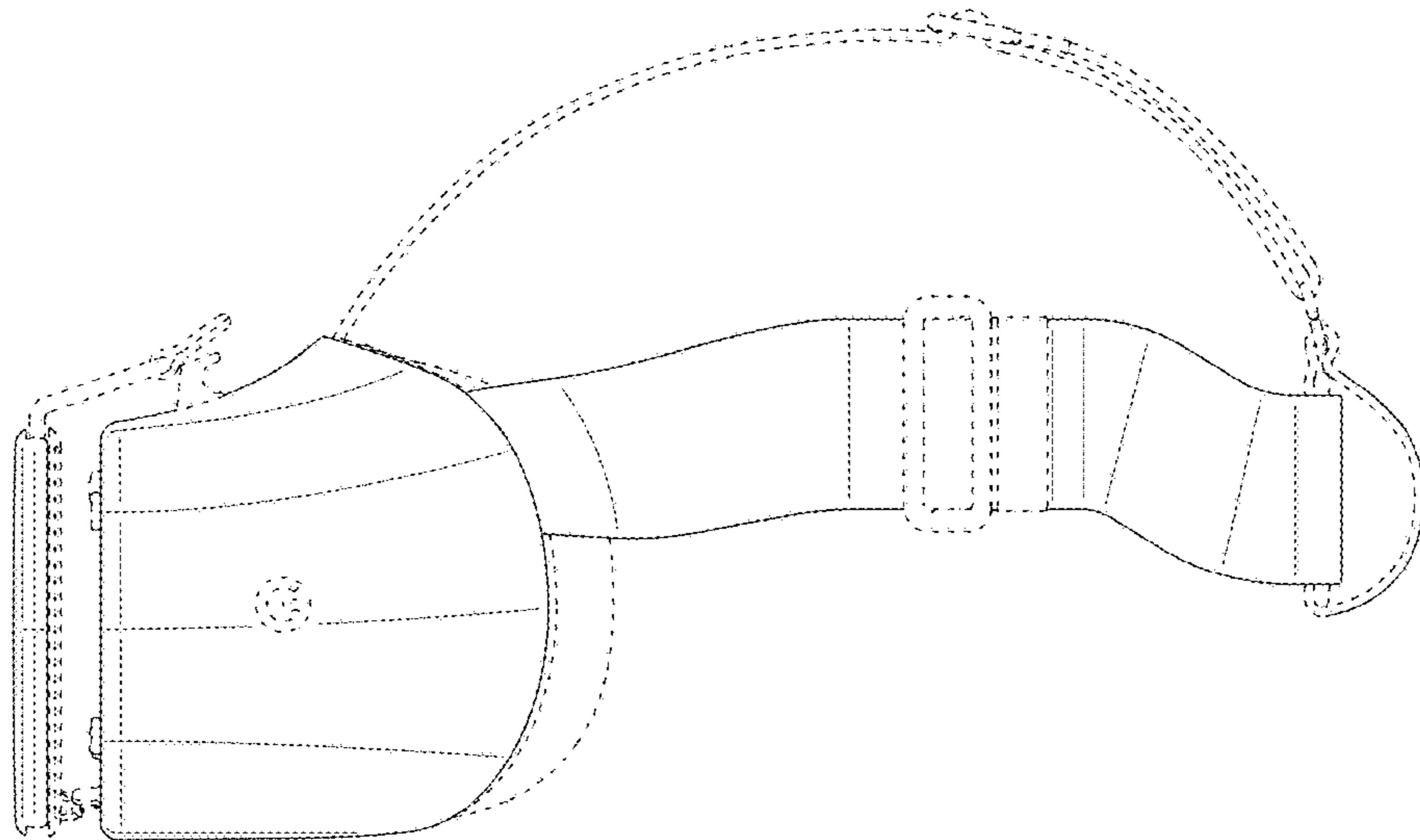


FIG. 6

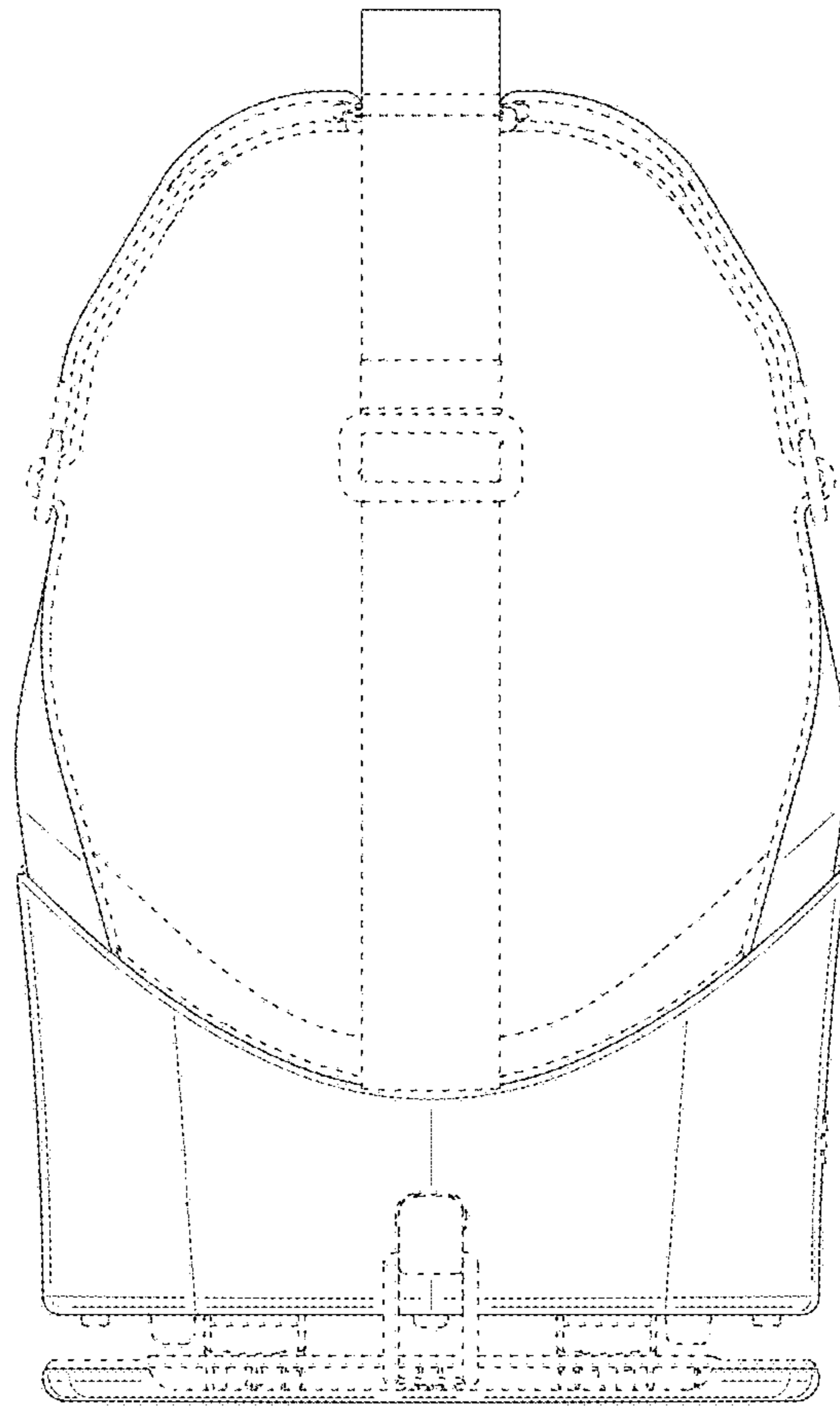


FIG. 7

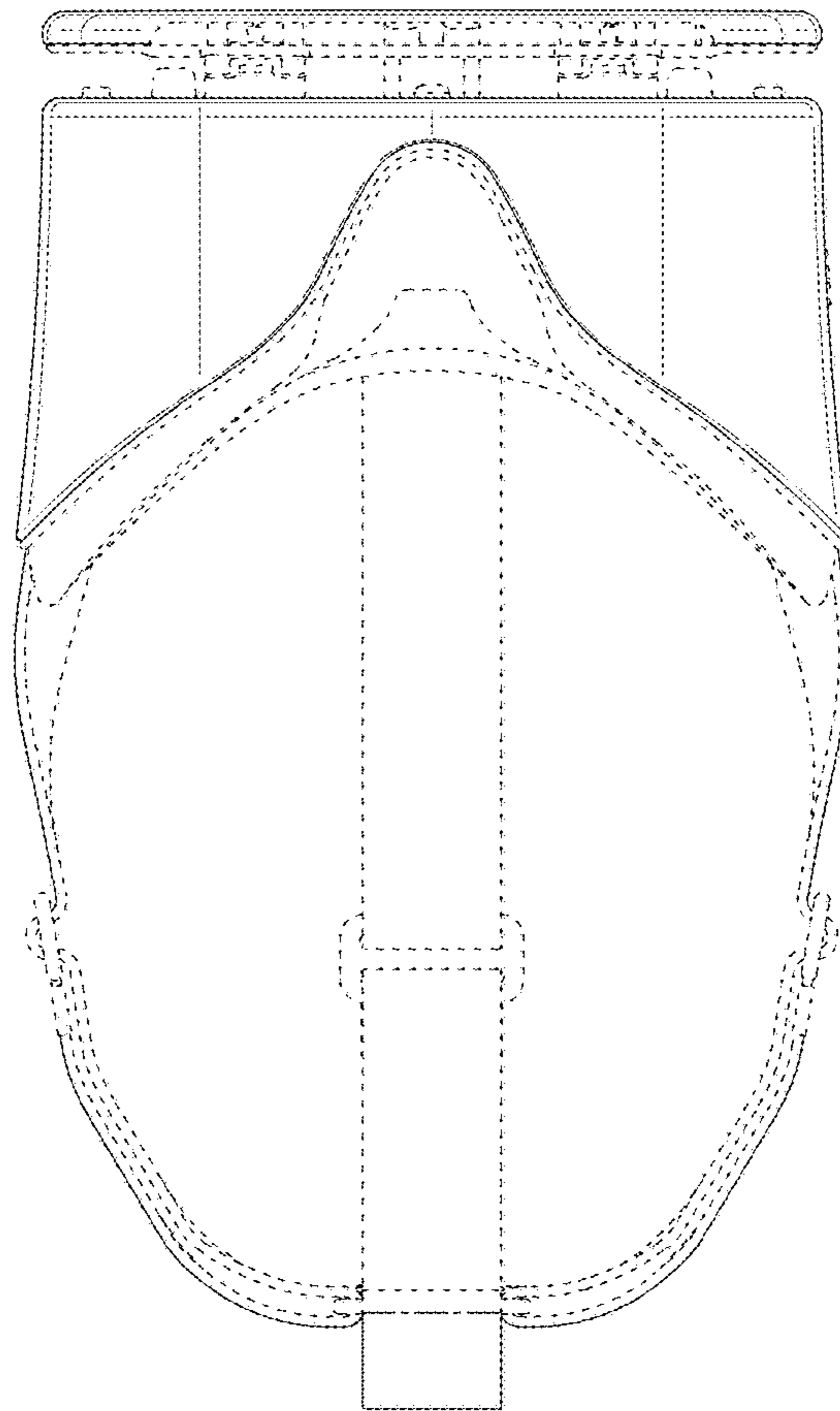


FIG. 8